



GASOLINE
30/80 GALLON INDUSTRIAL
AIR COMPRESSOR
OPERATOR'S MANUAL



CAUTION

**RISK OF INJURY! READ ENTIRE MANUAL
BEFORE OPERATING! THIS MANUAL IS AN IMPORTANT
PART OF THE AIR COMPRESSOR AND MUST REMAIN
WITH THIS UNIT WHEN YOU SELL OR RENT IT!**

TABLE OF CONTENTS

INTRODUCTION	3
IMPORTANT	3
INSPECTION.....	3
SAFETY WARNINGS	4-7
RISK OF EXPLOSION OR FIRE.....	4
RISK OF BURSTING	5
RISK TO BREATHING.....	6
RISK OF BURNS	6
RISK OF FLYING OBJECTS	7
RISK FROM MOVING PARTS.....	7
RISK FROM NEGLIGENCE	7
RISK OF AIR COMPRESSOR DAMAGE	7
FEATURES DRAWINGS	8-9
FEATURES REVIEW	10
PREPARATION.....	13
INITIAL SET-UP	13
LOCATION	13
GASOLINE ENGINE	13
PRE-START CHECKLIST.....	14
OPERATION.....	15
START-UP	15
SHUTDOWN.....	15
MAINTENANCE	15
MAINTENANCE CHART	16
TROUBLESHOOTING.....	17-18
WARRANTY	19

⚠️ WARNING
Warning: This product contains lead, a chemical known to the State of California to cause birth defects or other reproductive harm.
Wash your hands after handling this product.

⚠️ WARNING
This product contains one or more chemicals known to the State of California to cause cancer and birth defects or other reproductive harm.

⚠️ WARNING
The engine exhaust from this product contains chemicals known to the State of California to cause cancer, birth defects or other reproductive harm.

INTRODUCTION

Congratulations on the purchase of your new Mi-T-M® Air Compressor! You can be assured your Mi-T-M Air Compressor was constructed with the highest level of precision and accuracy. Each component has been rigorously tested by technicians to ensure the quality, endurance and performance of this air compressor.

This operator's manual was compiled for your benefit. By reading and following the simple safety, installation and operation, maintenance and troubleshooting steps described in this manual, you will receive years of troublefree operation from your new Mi-T-M Air Compressor. The contents of this manual are based on the latest product information available at the time of publication. Mi-T-M reserves the right to make changes in price, color, materials equipment, specifications or models at any time without notice.



IMPORTANT!

A "DANGER, WARNING or CAUTION" safety warning will be surrounded by a "SAFETY ALERT BOX". This box is used to designate and emphasize Safety Warnings that must be followed when operating this air compressor. Accompanying the safety warnings are "Signal Words" which designate the degree or level of hazard seriousness. The "Signal Words" used in this manual are as follows:

DANGER: INDICATES AN IMMINENTLY HAZARDOUS SITUATION WHICH, IF NOT AVOIDED, WILL RESULT IN DEATH OR SERIOUS INJURY.

WARNING: INDICATES A POTENTIALLY HAZARDOUS SITUATION WHICH, IF NOT AVOIDED, COULD RESULT IN DEATH OR SERIOUS INJURY.

CAUTION: INDICATES A POTENTIALLY HAZARDOUS SITUATION WHICH, IF NOT AVOIDED MAY RESULT IN MINOR OR MODERATE INJURY OR DAMAGE TO THE AIR COMPRESSOR.

The symbols set to the left of this paragraph are "Safety Alert Symbols". These symbols are used to call attention to items or procedures that could be dangerous to you or other persons using this equipment.



ALWAYS PROVIDE A COPY OF THIS MANUAL TO ANYONE USING THIS EQUIPMENT. READ ALL INSTRUCTIONS IN THIS MANUAL AND ANY INSTRUCTIONS SUPPLIED BY MANUFACTURERS OF SUPPORTING EQUIPMENT BEFORE OPERATING THIS AIR COMPRESSOR AND ESPECIALLY POINT OUT THE "SAFETY WARNINGS" TO PREVENT THE POSSIBILITY OF PERSONAL INJURY TO THE OPERATOR.

INSPECTION

Unbox the air compressor and write in the serial number in the space provided below. Inspect for signs of obvious or concealed freight damage. Be sure that all damaged parts are replaced and any mechanical problems are corrected prior to the operation of the air compressor.

SERIAL NUMBER _____

Mi-T-M® Corporation, 8650 Enterprise Drive, Peosta, IA 52068
563-556-7484 / 800-553-9053 / Fax 563-556-1235
Monday - Friday 8:00 a.m. - 5:00 p.m. CST

Please have the following information available for all service calls:



1. Model Number
2. Serial Number
3. Date and Place of Purchase

IMPORTANT SAFETY INSTRUCTIONS

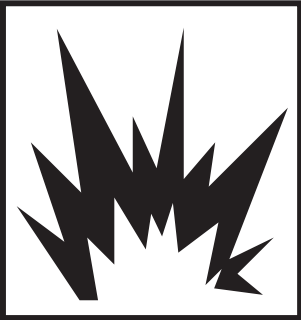


READ ALL SAFETY WARNINGS BEFORE USING AIR COMPRESSOR





Hazard	Potential Consequence	Prevention
<p>RISK OF EXPLOSION OR FIRE</p> <div style="border: 2px solid black; padding: 5px; margin: 5px 0;">  </div> <div style="border: 2px solid black; padding: 5px; margin: 5px 0;">  </div>	<p>Serious injury or death may occur from normal sparks in the engine ignition system or engine exhaust/muffler.</p> <p>Injury or death may occur as a result of improper fueling.</p> <p>Serious injury may occur if any air compressor ventilation openings are restricted, causing the air compressor to overheat and start a fire.</p>	<p>Always operate air compressor outdoors in a well ventilated area free of flammable vapors, combustible dust, gases or other combustible materials.</p> <p>DO NOT SMOKE if spraying flammable material. Locate the air compressor at least 20 feet away from the spray area. (An additional hose may be required.)</p> <p>Do not smoke while filling engine fuel tank.</p> <p>Never fill the engine fuel tank while the engine is running or hot. Allow the engine to cool two minutes before refueling.</p> <p>Do not refuel indoors or in a poorly ventilated area.</p> <p>Always refuel slowly to avoid the possibility of spilled fuel which may cause a risk of fire.</p> <p>Do not operate the unit if gasoline is spilled. Wipe the air compressor clean and move it away from the spill. Avoid creating any ignition until the gasoline has evaporated.</p> <p>Do not store the air compressor near an open flame or any equipment such as a stove, furnace, water heater, etc. which utilizes a pilot light or sparking device.</p> <p>A spark arrester must be added to the muffler of this engine if it is to be used on any forest covered, brush covered or grass covered unimproved land. The arrester must be maintained in effective working order by the operator.</p> <p>Never place objects against or on top of air compressor. Operate air compressor at least 12 inches away from any wall or obstruction that would restrict proper ventilation.</p>



IMPORTANT SAFETY INSTRUCTIONS

Hazard	Potential Consequence	Prevention
<p style="text-align: center;">RISK OF BURSTING</p> <div style="text-align: center;">  </div>	<p>Serious injury or death may occur from an air tank explosion if air tanks are not properly maintained.</p> <p>Serious injury may occur from an air compressor malfunction or exploding accessories if incorrect system components, attachments or accessories are used.</p> <p>Serious injury or death may occur if system safety's are not properly maintained.</p> <p>Serious injury or death may occur from the battery.</p>	<p>Drain air tank daily or after each use to prevent moisture buildup in the air tank.</p> <p>If air tank develops a leak, replace the air tank immediately. Never repair, weld or make modifications to the air tank or its attachments. Use only genuine Mi-T-M® repair parts for your air compressor.</p> <p>Never make adjustments to the factory set pressures.</p> <p>Never exceed manufacturers maximum allowable pressure rating of attachments.</p> <p>Because of extreme heat, do not use plastic pipe or lead tin soldered joints for a discharge line.</p> <p>Never use air compressor to inflate small, low pressure objects such as toys.</p> <p>Safety Pressure Relief Valves should never be altered, modified, removed or made inoperative. If the device fails, replace immediately with genuine manufacturer replacement part.</p> <p>When the battery is being activated, hydrogen and oxygen gases in the battery are extremely explosive. Keep open sparks and flames away from the battery at all times, especially when charging the battery.</p> <p>Be certain to disconnect the battery ground terminal before servicing. When disconnecting the cable from the battery, start with the negative terminal, and when connecting them start with the positive cable.</p> <p>When charging the battery remove the battery vent plugs</p> <p>Use only a voltmeter or hydrometer to check battery charge.</p> <p>DO NOT jump start the battery unless both batteries are of equal voltage and amperage.</p>

IMPORTANT SAFETY INSTRUCTIONS

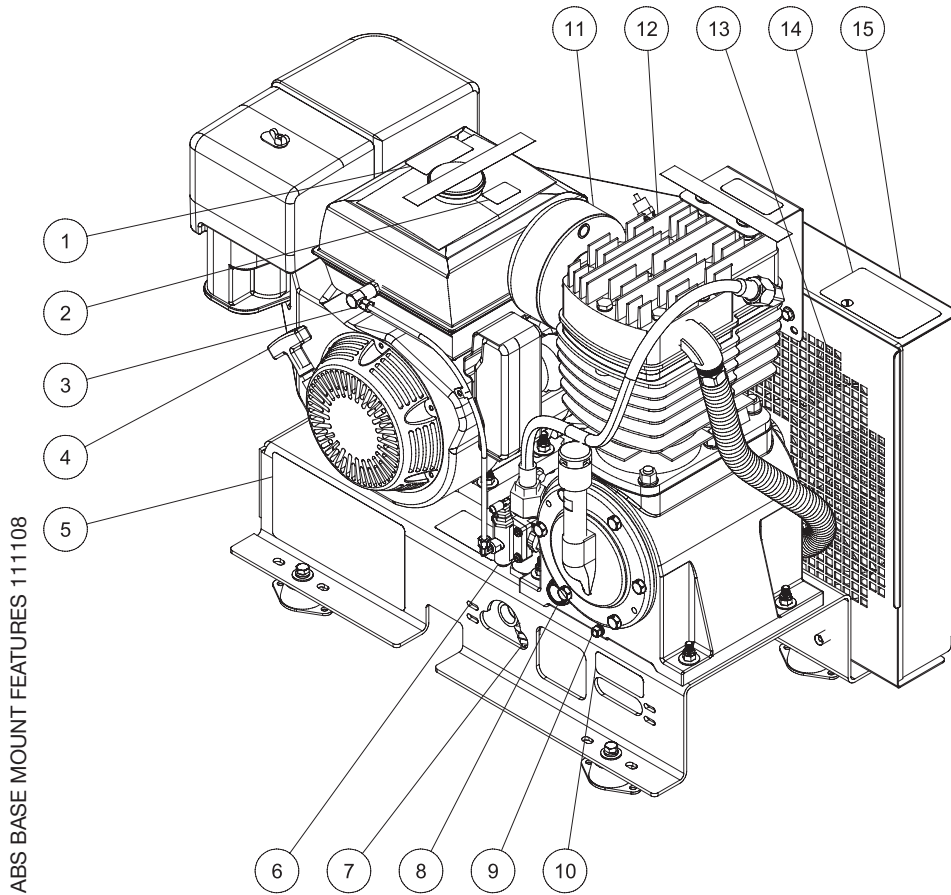
Hazard	Potential Consequence	Prevention
<p>RISK TO BREATHING</p> 	<p>Serious injury or death could occur from inhaling gas engine exhaust which contains carbon monoxide- a poisonous gas that can kill you. You CAN NOT smell or see this gas.</p> <p>Sprayed materials such as paint, paint solvents, paint remover, insecticides, weed killers, etc. contain harmful vapors and poisons.</p> <p>Serious injury or death could occur from inhaling compressed air. The air stream may contain carbon monoxide, toxic vapors or solid particles.</p>	<p>Never use a Gasoline Air Compressor in enclosed or partially-enclosed spaces. Gasoline Air Compressors can produce high levels of carbon monoxide very quickly. When you use a Gasoline Air Compressor, remember that you cannot smell or see carbon monoxide. Even if you can't smell exhaust fumes, you may still be exposed to carbon monoxide.</p> <p>If you start to feel sick, dizzy or weak while using this unit, get to fresh air right away. Do not delay. The carbon monoxide from gasoline engine exhaust can rapidly lead to full incapacitation and death.</p> <p>If you experience serious symptoms, get medical attention immediately. Inform medical staff that carbon monoxide poisoning is suspected. If you experienced symptoms while indoors, have someone call the fire department to determine when it is safe to re-enter the affected area.</p> <p>Operate air compressor only in a well ventilated area. Follow all safety instructions provided with the materials you are spraying. Use of a respirator may be required when working with some materials.</p> <p>Never inhale air from the air compressor either directly or from a breathing device connected to the air compressor.</p>
<p>RISK OF BURNS</p> 	<p>Serious injury could occur from touching exposed metal parts. These areas can remain hot for some time after the air compressor is shutdown.</p>	<p>Never allow any part of your body or other materials to make contact with any exposed metal parts on the air compressor.</p> <p>Never allow any part of your body to contact the engine muffler or adjacent areas.</p>

IMPORTANT SAFETY INSTRUCTIONS

Hazard	Potential Consequence	Prevention
<p>RISK OF FLYING OBJECTS</p> 	<p>Soft tissue damage can occur from the compressed air stream.</p> <p>Serious injury can occur from loose debris being propelled at a high speed from the compressed air stream</p>	<p>Always wear safety glasses to shield the eyes from flying debris.</p> <p>Never point the air stream at any part of your body, anyone else or animals.</p> <p>Never leave pressurized air in the air compressor. Shut off air compressor and relieve pressure when storing or attempting maintenance.</p> <p>Always maintain a safe distance from people and animals while operating the air compressor.</p> <p>Do not move the air compressor while air tank is under pressure. Do not attempt to move the air compressor by pulling on the hose.</p>
<p>RISK FROM MOVING PARTS</p> 	<p>Risk of bodily injury from moving parts.</p>	<p>Before performing maintenance, always turn off air compressor. Bleed pressure from the air hose and disconnect spark plug wire to prevent engine from starting unexpectedly. All repairs to the air compressor should be made by an Authorized Service person.</p> <p>Do not operate without protective covers/guards. Always turn off air compressor before removing any guard. Replace damaged covers/guards before using the air compressor.</p>
<p>RISK FROM NEGLIGENCE</p>	<p>Risk of injury from negligent use.</p>	<p>Never allow children or adolescents to operate this air compressor!</p> <p>Stay alert-watch what you are doing. Do not operate the air compressor when fatigued or under the influence of alcohol or drugs.</p> <p>Know how to stop the air compressor. Be thoroughly familiar with controls.</p>
<p>RISK OF AIR COMPRESSOR DAMAGE</p>	<p>Risk of major repair.</p>	<p>Do not operate air compressor without an air filter.</p> <p>Do not operate air compressor in a corrosive environment.</p> <p>Always operate the air compressor in a stable, secure position to prevent air compressor from falling.</p> <p>Follow all maintenance instructions listed in this manual.</p>

MI-T-M GASOLINE AIR COMPRESSOR FEATURES (TWO STAGE)

ABS BASE MOUNT

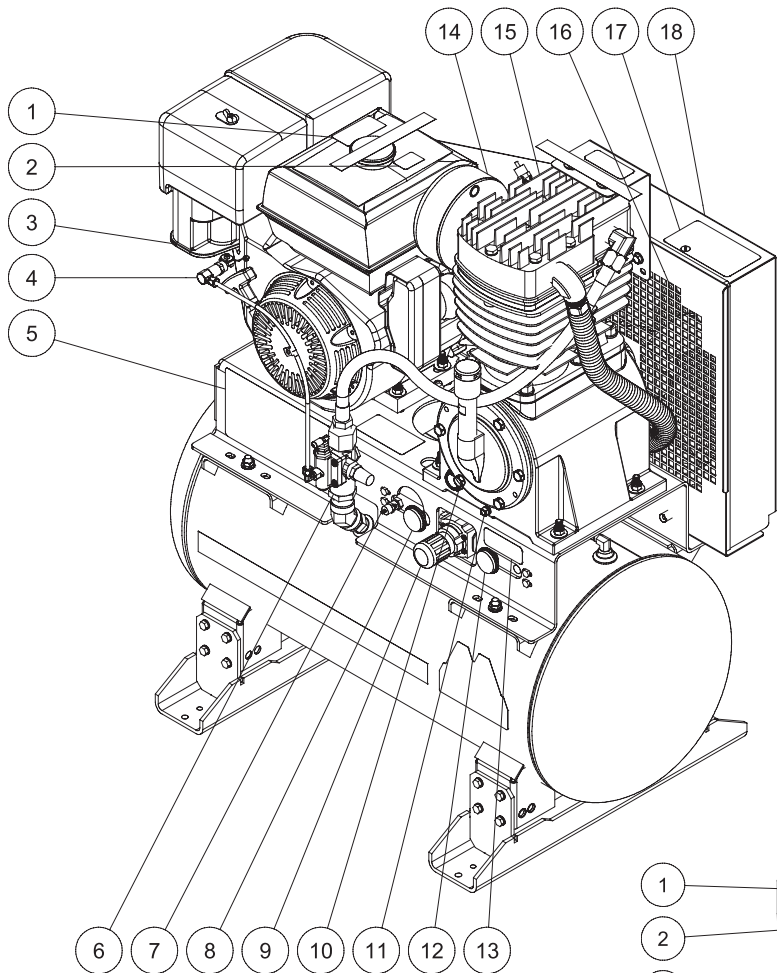


ABS BASE MOUNT FEATURES 111108

- | | |
|----------------------------------|--------------------------|
| 1. Decal- Warning: Hot Surfaces | 9. Pump Oil Drain |
| 2. Decal- Warning: Risk of Fire | 10. Decal- Warning: Hot |
| 3. Engine Throttle Control | 11. Air Filter |
| 4. Engine | 12. Air Compressor Pump |
| 5. Decal- Danger/Warning Caution | 13. Ventilation Openings |
| 6. Pilot Valve | 14. Decal- Operations |
| 7. Pressure Relief Valve | 15. Beltguard |
| 8. Pump Oil Sight Glass | |

MI-T-M GASOLINE AIR COMPRESSOR FEATURES (TWO STAGE)

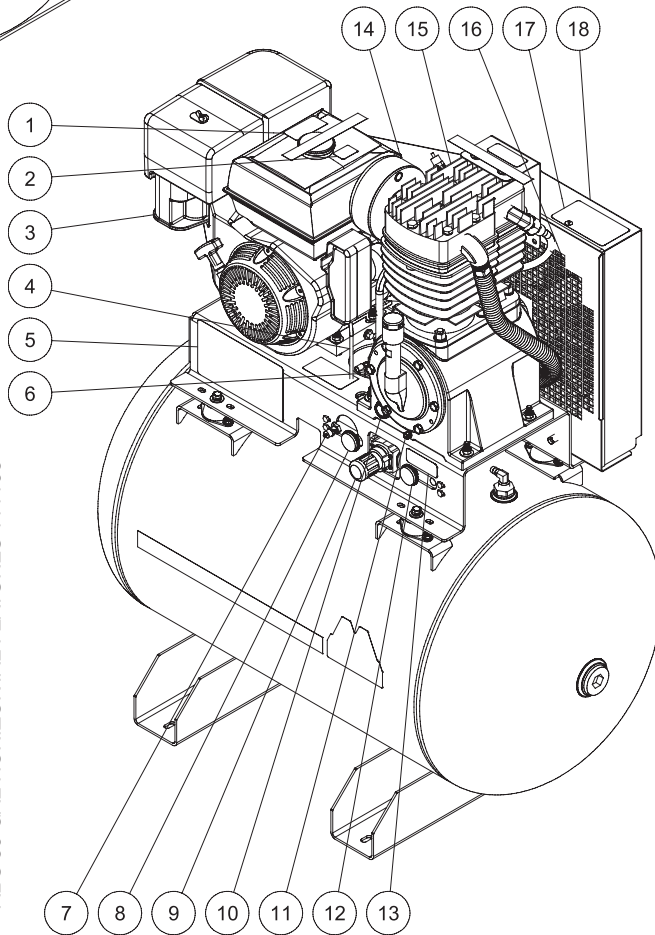
ABS 30 GALLON HORIZONTAL



ABS 30 GAL HORIZONTAL FEATURES 111108

1. Decal- Warning: Hot Surfaces
 2. Decal- Warning: Risk of Fire
 3. Engine
 4. Engine Throttle Control
 5. Decal- Danger/Warning/Caution
 6. Pilot Valve
 7. Pressure Relief Valve
 8. Pressure Gauge- Tank PSI*
 9. Pressure Regulator*
 10. Pump Oil Sight Glass
 11. Pump Oil Drain
 12. Pressure Gauge- Outlet PSI*
 13. Decal- Warning: Hot
 14. Air Filter
 15. Air Compressor Pump
 16. Ventilation Openings
 17. Decal- Operations
 18. Beltguard
- *Not Available On All Models

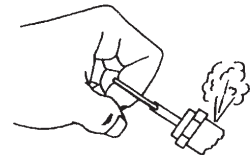
ABS 80 GALLON HORIZONTAL



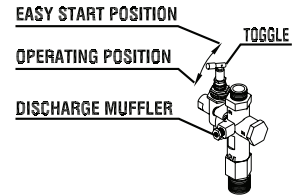
ABS 80 GAL HORIZONTAL FEATURES 111108

EXPLODED VIEW & EXPLANATION OF AIR COMPRESSOR FEATURES*

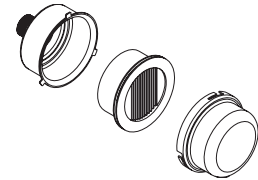
SAFETY RELIEF VALVE: This valve is designed to prevent system failures by relieving pressure from the system when the compressed air reaches a predetermined level. The valve is preset by the manufacturer and must not be modified in any way. To verify the valve is working properly, pull on the ring. Air pressure should escape. When the ring is released, it will reseal.



PILOT VALVE: When the toggle is in the upright position, all air from the air compressor is vented through the discharge muffler. This gives an easy start feature. For normal operation, the toggle is in the 90° position.

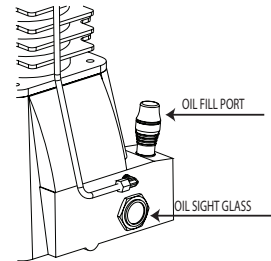


AIR INTAKE FILTER: This filter is designed to clean air coming into the pump. To ensure the pump continually receives a clean, cool, dry air supply this filter must always be clean and ventilation opening free from obstructions. Replace filter element when necessary.



OIL FILL PORT/VENT: Pour oil into the Oil Fill Port/Vent when required.

OIL SIGHT GLASS: The Oil Sight Glass displays the oil level in the pump. The oil level should be at the center of the Oil Sight Glass. If low, add SAE 30W non-detergent oil.

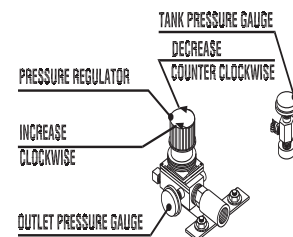


AIR COMPRESSOR PUMP: A two stage compressor pump uses two different size cylinders with the intake valve of the second smaller cylinder linked to the exhaust valve of the first larger cylinder. On the down stroke of the large cylinder, air is drawn through the intake valve while the exhaust valve remains closed. On the upstroke, air is compressed, the intake valve closes and compressed air is forced out through the exhaust valve, into the inter cooler and through the intake valve of the second smaller cylinder on its down stroke. On the upstroke of the smaller cylinder, the intake valve closes and the compressed air is compressed a second time and forced out the exhaust valve into the discharge line, through the tank check valve and into the air tank.

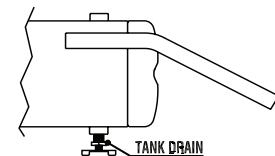
AIR TANK PRESSURE GAUGE: The air tank pressure gauge indicates the reserve air pressure in the air tank (s).

PRESSURE REGULATOR: The air pressure coming from the air tank is controlled by the regulator knob. Turn the pressure regulation knob clockwise to increase discharge pressure, and counterclockwise to decrease discharge pressure.

OUTLET PRESSURE GAUGE: The outlet pressure gauge indicates the air pressure available at the outlet side of the regulator. This pressure is controlled by the regulator and is always less or equal to the air tank pressure.



AIR TANK DRAIN VALVE: The drain valve is used to remove moisture from the air tank(s) after the air compressor is shut off. NEVER attempt to open the drain valve when more than 10 PSI of air pressure is in the air tank! To open the drain valve, turn the knob counterclockwise.



*Some Features Not available on all Models

NOTES

 **WARNING** 

THE FOLLOWING PAGES CONTAIN OPERATING AND MAINTENANCE INSTRUCTIONS.

DO NOT ATTEMPT TO OPERATE THIS AIR COMPRESSOR UNTIL YOU HAVE READ AND UNDERSTOOD ALL SAFETY PRECAUTIONS AND INSTRUCTIONS LISTED IN THIS MANUAL.

INCORRECT OPERATION OF THIS UNIT CAN CAUSE SERIOUS INJURY!!

DO NOT ALTER OR MODIFY THIS EQUIPMENT IN ANY MATTER!

PREPARATION

INITIAL SET-UP:

1. Read safety warnings before setting-up air compressor.
2. Ensure the oil level in the air compressor pump is adequate. If low, add SAE 30W non-detergent oil.



WARNING RISK OF EXPLOSION OR FIRE CAUSING SERIOUS INJURY OR DEATH!



DO NOT ALLOW THE ENGINE OR MUFFLER TO COME IN CONTACT WITH FLAMMABLE VAPORS, COMBUSTIBLE DUST, GASES OR OTHER COMBUSTIBLE MATERIALS. A SPARK MAY CAUSE A FIRE.



WHEN USING THE AIR COMPRESSOR FOR SPRAY PAINTING, PLACE THE AIR COMPRESSOR AS FAR AWAY FROM THE WORK AREA AS POSSIBLE, USING EXTRA AIR HOSES IF NEEDED.

LOCATION:

1. In order to avoid damaging the air compressor, do not incline the air compressor transversely or longitudinally more than 10°.
2. Place air compressor at least 12 inches away from obstacles that may prevent proper ventilation. Do not place air compressor in an area:
 - where there is evidence of oil or gas leaks.
 - where flammable gas vapors or materials may be present.
 - where air temperatures fall below 32°F or exceed 104°F.
 - where extremely dirty air or water could be drawn into the air compressor.

GASOLINE ENGINE:



DANGER RISK OF EXPLOSION OR FIRE CAUSING SERIOUS INJURY OR DEATH! DO NOT SMOKE WHILE FUELING!



DO NOT FILL FUEL TANK WHILE AIR COMPRESSOR IS RUNNING OR HOT. ALLOW AIR COMPRESSOR AND ENGINE TO COOL DOWN FOR TWO MINUTES BEFORE REFUELING.



DO NOT FILL FUEL TANK TO POINT OF OVERFLOWING. ALLOW APPROXIMATELY 1" OF TANK SPACE FOR FUEL EXPANSION.

1. Review "Risk of Fire or Explosion" pg. 4 before fueling.
2. Read the engine manual accompanying this air compressor for correct engine start-up maintenance procedures.
3. Read and understand the safety labels located on the air compressor.
4. A minimum of 86 octane fuel is recommended for use with this air compressor. Do not mix oil with gasoline.
5. Use of clean, fresh, lead free gasoline is recommended. See Engine manual for recommended fuel.
6. Check the engine oil level before starting. (See engine manual.)
7. Fill the fuel tank according to the engine manual instruction.
8. Refer to the engine manual for all necessary maintenance and adjustments.



WARNING RISK OF EXPLOSION OR FIRE CAUSING SERIOUS INJURY OR DEATH!



DO NOT PLACE UNIT IN AN AREA WHERE FLAMMABLE GAS VAPORS MAY BE PRESENT. A SPARK COULD CAUSE AN EXPLOSION OR FIRE.



ALWAYS STORE FUEL AWAY FROM THE AIR COMPRESSOR WHILE IT IS RUNNING OR HOT.

PREPARATION



WARNING RISK OF ASPHYXIATION! DO NOT OPERATE IN AN ENCLOSED AREA. USE THIS PRODUCT ONLY IN WELL VENTILATED AREAS! THE EXHAUST FROM THE ENGINE CONTAINS CARBON MONOXIDE, A POISONOUS, ODORLESS AND INVISIBLE GAS. BREATHING THE GAS CAN CAUSE SERIOUS INJURY, ILLNESS AND POSSIBLE DEATH.



WARNING RISK OF BODILY INJURY!

NEVER ATTEMPT TO OPEN THE AIR TANK DRAIN VALVE WHEN MORE THAN 10 PSI OF AIR PRESSURE IS IN THE AIR TANK!

PRE-START CHECKLIST:

1. Make sure the Engine Switch is in the "OFF" position.
2. Check oil level. Add if necessary.
3. Make sure the Safety Relief Valve is working correctly.
4. Make sure all guards and covers are in place and securely mounted.
5. Remove any moisture in the air compressor air tank. NEVER attempt to open the Air Tank Drain Valve when more than 10 PSI of air pressure is in the air tank! Remove excessive pressure with an air tool, then open the Air Tank Drain Valve in the bottom of the air tank. Close tightly when drained.

OPERATION

START-UP:

1. Read safety warnings before performing operation.
2. Flip the toggle on top of the Pilot Valve to the upright position. This provides a loadless start. The air compressor will unload and allow easier engine start-up.
3. Start the engine. (Refer to the Engine Manual accompanying this unit.)
4. When the engine has run for 1-2 minutes, flip toggle back to the original position.
5. Units with a pressure regulator: set pressure by adjusting the Pressure Regulator counterclockwise for less pressure and clockwise for more pressure.
6. If you notice any unusual noise or vibration, stop the air compressor and refer to "Troubleshooting".

SHUTDOWN:

1. To stop the air compressor, move the Engine Switch to the "Off" position. (Refer to the Engine Manual accompanying this unit.)
2. Drain air from the air tank by releasing air with an attached air tool or by pulling on the Safety Relief Valve.
3. Once the Air Tank Pressure is under 10 pounds, open the drain valve under the air tank to drain any moisture.
4. Allow the air compressor to cool down.
5. Wipe air compressor clean and store in a safe, non-freezing area.

MAINTENANCE

Read the instruction manual before performing maintenance. The following procedures must be performed when stopping the air compressor for maintenance or service.

1. Turn off air compressor.
2. Disconnect spark plug wire from engine.
3. Open all drains.
4. Wait for the air compressor to cool before starting service.

MAINTENANCE CHART

AC Gas Maintenance Chart

MAINTENANCE CHART				
PROCEDURE	DAILY	WEEKLY	MONTHLY	200 HOURS
Check pump oil level	X			
Check engine oil level	X			
Oil leak inspection	X			
Check engine air filter	X			
Drain condensation in air tank (s)	X			
Inspect guards/covers	X			
Check for unusual noise/vibration	X			
Check for air leaks	X			
Clean exterior of compressor		X		
Inspect air filter		X		
Inspect belt			X	
Check safety relief valve			X	
Change pump oil *				X
Replace air filter				X
Check engine spark plug				X

*The pump oil must be changed after the first 50 hours of operation and every 200 hours or 3 months, whichever comes first.

The engine oil must be changed after the first 8 hours of operation and every 50 hours or 3 months, whichever comes first.

Every 2 years, an Authorized Service Technician should check the check valve, intake valves and delivery valves.

TROUBLESHOOTING

SYMPTOM	PROBABLE CAUSE	REMEDY
Engine will not start.	Various engine problems.	Refer to the engine manual accompanying your air compressor.
	Low engine oil level.	Engine is equipped with an Oil Alert System which will not allow the engine to start if oil level is low. Add oil, if needed.
Noisy operation.	Loose engine pulley or pump flywheel.	Tighten pulley and or flywheel.
	Lack of oil in the pump.	Add correct amount of oil. Check for bearing damage.
	Carbon deposits on pistons or valves.	Remove cylinder head and inspect. Clean or replace.
	Bearing, piston or connecting rod failure.	STOP THE AIR COMPRESSOR! Contact Mi-T-M Customer Service.
Pressure drop in air tank or rapid pressure loss when air compressor is shut off.	Air leaks at connections.	Allow air compressor to build pressure to the maximum allowed. Turn off and brush a soapy water solution onto all connections. Check connections for air bubbles. Tighten the connections where leaks are present.
	Air leak in air tank.	Air tank must be replaced. Do not attempt to repair air tank!
	Defective Pilot Valve.	Clean or replace.
Insufficient pressure at air tool or accessory.	Pressure Regulator not turned to high enough pressure or defective.	Adjust Pressure Regulator to proper setting or replace.
	Restricted air intake .	Clean or replace Air Intake Filter.
	Air leaks or restrictions.	Check for leaks and repair.
	Hose or hose connections are too small or long.	Replace with larger hose or connectors.
	Slipping belt.	Tighten or replace.
	Air compressor is not large enough for air requirement.	Check the accessory air requirement. If it is higher than the CFM or pressure supply to the air compressor, use a larger air compressor.
Restriction in Pilot Valve.	Clean or replace.	

TROUBLESHOOTING

SYMPTOM	PROBABLE CAUSE	REMEDY
Air leaks from Safety Relief Valve	Possible defective Safety Relief Valve.	Operate Safety Relief Valve manually by pulling on ring. If it still leaks, it should be replaced.
	Excessive air tank pressure.	Clean, reset or replace Pilot Valve.
Air leaks at pump.	Defective gaskets.	Torque head bolts: Single Stage= 17 ft./lbs. Two Stage= 33 ft./lbs.
Air blowing from Air Intake Filter.	Defective inlet (reed) valve.	Contact Mi-T-M Customer Service.
Moisture in discharge air.	Condensation in air tank caused by high level of atmospheric humidity or air compressor is not run long enough.	Run air compressor a minimum of one hour to prevent condensation buildup. Drain air tank after every use. Drain air tank more often in humid weather and use an air line filter.
Excessive oil consumption or oil in hose.	Restricted Air Intake Filter.	Clean or replace.
	Air compressor on unlevel surface.	Do not incline the air compressor more than 10° in any direction while running.
	Crankcase overfilled with oil.	Drain oil. Refill to proper level with SAE-30W non-detergent oil.
	Wrong viscosity.	Drain oil. Refill to proper level with SAE-30W non-detergent oil.
	Plugged oil dipstick vent.	Clean.
	Plugged crankcase breather.	Clean or replace.
	Oil leaks.	Torque head bolts: Single Stage= 17 ft./lbs. Two Stage= 33 ft./lbs.
	Worn piston rings or scored cylinder.	Contact Mi-T-M Customer Service.
Oil has milky appearance.	Water in oil due to condensation.	Change oil and move air compressor to a less humid environment.



STATEMENT OF WARRANTY

MI-T-M GASOLINE AIR COMPRESSOR STATEMENT OF WARRANTY

Mi-T-M Corporation warrants all parts, (except those referred to below), of your new air compressor to be free from defects in materials and workmanship during the following periods:

For Five (5) years from the date of original purchase:

Compressor Pump Plumbing
Tank Assembly

For Six (6) months from date of original purchase:

Pressure Switch Regulator
Check Valve Pilot Valve
Copper/stainless steel line

For Ninety (90) days from the date of original purchase:

Pressure Gauges Safety Relief Valves
Drain Valves

Defective parts not subject to normal wear and tear will be repaired or replaced at our option during the warranty period. In any event, reimbursement is limited to the purchase price paid.

EXCLUSIONS

1. Engine is covered under separate warranty by its respective manufacturer and is subject to the terms set forth therein.
2. Normal wear parts:
Isolators Air Filter
3. This warranty does not cover parts damaged due to normal wear, abnormal conditions, misapplication, misuse, accidents, operation at other than recommended speeds, pressures or temperature, improper storage or freight damage. Parts damaged or worn by operation in dusty environments are not warranted. Failure to follow recommended operating and maintenance procedures also voids warranty.
4. Labor charges, loss or damage resulting from improper operation, maintenance (other than routine air tank draining and oil changes, if applicable) or repairs made by persons other than a Mi-T-M Authorized Service Center.
5. The use of other than Genuine Repair Parts will void warranty. Parts returned, prepaid to our factory or to an Authorized Service Center will be inspected and replaced free of charge if found to be defective and subject to warranty. Under no circumstances shall the manufacturer bear any responsibility for loss of use of the unit, loss of time or rental, inconvenience, commercial loss or consequential damages. There are no warranties which extend beyond the description of the face hereof.

For Service or Warranty consideration, contact:
Mi-T-M Corporation, 8650 Enterprise Drive, Peosta, IA 52068-0050
563-556-7484 / 800-553-9053 / Fax 563-556-1235
Monday-Friday 8:00 a.m. - 5:00 p.m. CST

Manufactured by Mi-T-M
8650 Enterprise Drive, Peosta IA 52068
563-556-7484/ Fax 563-556-1235