



***AIR COMPRESSOR/GENERATOR/WELDER***  
**OPERATOR'S MANUAL**



**CAUTION**

**RISK OF INJURY! READ ENTIRE MANUAL BEFORE OPERATING!  
THIS MANUAL IS AN IMPORTANT PART OF THE AIR COMPRESSOR/GENERATOR/WELDER  
AND MUST REMAIN WITH THIS UNIT!**

# Introduction

THANK YOU for purchasing a Mi-T-M product.

READ THIS MANUAL carefully to learn how to operate and service your machine correctly. Failure to do so could result in personal injury or equipment damage. This manual and safety signs on your machine may also be available in other languages. (See your dealer to order.)

THIS MANUAL SHOULD BE CONSIDERED a permanent part of your machine and should remain with the machine when you sell it.

MEASUREMENTS in this manual are given in both metric and customary U.S. unit equivalents. Use only correct replacement parts and fasteners. Metric and inch fasteners may require a specific metric or inch wrench.

RIGHT HAND AND LEFT HAND sides are determined by facing the motor end of the machine.

The SERIAL NUMBER is located in the Specification or Identification Numbers section. Accurately record all the numbers to help in tracing the machine should it be stolen. Your dealer also needs these numbers when you order parts. File the identification numbers in a secure place off the machine.

WARRANTY is provided from your dealer for customers who operate and maintain their equipment as described in this manual. The warranty is explained on the warranty certificate shown in this manual.

This warranty provides you the assurance that your dealer will back products where defects appear within the warranty period. Should the equipment be abused, or modified to change its performance beyond the original factory specifications, the warranty will become void.

## WARNING

**Warning:** This product contains lead, a chemical known to the State of California to cause birth defects or other reproductive harm.

*Wash your hands after handling this product.*

## WARNING

The engine exhaust from this product contains chemicals known to the State of California to cause cancer, birth defects or other reproductive harm.

## WARNING

This product contains one or more chemicals known to the State of California to cause cancer and birth defects or other reproductive harm.

# Contents

INTRODUCTION .....	2
RECOGNIZE SAFETY INFORMATION .....	5
CONTROLS .....	15-16
INSTALLATION .....	18
OPERATION .....	22
START-UP .....	22
WELDING START-UP .....	22
SHUTDOWN .....	24
OPERATING CONTROLS.....	24
CABLE SIZE .....	25
TROUBLESHOOTING .....	26
MAINTENANCE .....	28
MAINTENANCE CHART:.....	28
CHECKING ENGINE OIL.....	29
CHANGING ENGINE OIL.....	29
WIRING DIAGRAM/ SCHEMATIC .....	33-34
STORAGE.....	35
SPECIFICATIONS .....	36
WARRANTY .....	37

All information, illustrations and specifications in this manual are based on the latest information available at the time of publication. The right is reserved to make changes at any time without notice.

*Contents*

# Safety

## RECOGNIZE SAFETY INFORMATION

This is the safety alert symbol. When you see this symbol on your machine or in this manual, be alert to the potential for personal injury.

Follow recommended precautions and safe operating practices.



## UNDERSTAND SIGNAL WORDS

A signal word--DANGER, WARNING or CAUTION--is used with the safety-alert symbol. DANGER identifies the most serious hazards.

DANGER or WARNING safety signs are located near specific hazards. General precautions are listed on CAUTION safety signs. CAUTION also calls attention to safety messages in this manual.



## FOLLOW SAFETY INSTRUCTIONS

Carefully read all safety messages in this manual and safety signs on your machine. Keep safety signs in good condition. Replace missing or damaged safety signs. Be sure new equipment components and repair parts include the current safety signs. Replacement safety signs are available from your dealer.

Learn how to operate the machine and how to use controls properly. Do not let anyone operate without instruction.

Keep your machine in proper working condition. Unauthorized modifications to the machine may impair the function and/or safety and affect machine life.

If you do not understand any part of this manual and need assistance, contact your dealer.





## CARBON MONOXIDE - POISONOUS GAS

Use unit outdoors, away from open windows, vents, or doors.

Unit exhaust contains carbon monoxide - a poisonous gas that can kill you. You **CAN NOT** smell or see this gas.

Never use the unit in enclosed or partially-enclosed spaces. The unit can produce high levels of carbon monoxide very quickly. When you use this unit, remember that you cannot smell or see carbon monoxide. Even if you can't smell exhaust fumes, you may still be exposed to carbon monoxide.

If you start to feel sick, dizzy, or weak while using the unit, get to fresh air **RIGHT AWAY**. **DO NOT DELAY**. The carbon monoxide from the unit can rapidly lead to full incapacitation and death.

If you experience serious symptoms, get medical attention immediately. Inform medical staff that carbon monoxide poisoning is suspected. If you experienced symptoms while indoors, have someone call the fire department to determine when it is safe to re-enter the building.

Never operate the unit in an explosive atmosphere, near combustible materials or where ventilation is not sufficient to carry away exhaust fumes. Exhaust fumes can cause serious injury or death.

**NEVER** use the unit indoors, including in homes, garages, basements, crawl spaces, and other enclosed or partially-enclosed areas, even with ventilation. Opening doors and windows or using fans will not prevent carbon monoxide build-up in the home.

Follow the instructions that come with your unit. Locate the unit outdoors and away from doors, windows, and vents that could allow the carbon monoxide gas to come indoors.

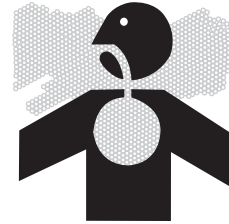
**ONLY** run unit outdoors and away from air intakes.


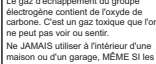
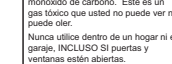
**NEVER** run unit inside homes, garages, sheds, or other semi-enclosed spaces. These spaces can trap poisonous gases **EVEN IF** you run a fan or open doors and windows.

If you start to feel sick, dizzy, or weak while using the unit, shut it off and get fresh air **IMMEDIATELY**. See a doctor. You may have carbon monoxide poisoning.

Install battery-operated carbon monoxide alarms or plug-in carbon monoxide alarms with battery back-up in your home, according to the manufacturer's installation instructions. The carbon monoxide alarms should be certified to the requirements of the latest safety standards for carbon monoxide alarms. (UL 2034, IAS 6-96, or CSA 6.19.01).

Test your carbon monoxide alarm frequently and replace dead batteries.



<b>ADANGER</b>	<b>ADANGER</b>	<b>PELIGRO</b>
Using a generator indoors <b>CAN KILL YOU IN MINUTES</b> . Generator exhaust contains carbon monoxide. This is a poison you cannot see or smell.	L'utilisation d'un groupe électrogène à l'intérieur <b>PEUT VOUS TUER EN QUELQUES MINUTES</b> . Le gaz d'échappement du groupe électrogène contient de l'oxyde de carbone. C'est un gaz toxique que l'on ne peut pas voir ou sentir. Ne <b>JAMAIS</b> utiliser à l'intérieur d'une maison ou d'un garage, <b>MÊME SI</b> les portes et fenêtres s'ont ouvertes.	Utilizando un generador adentro <b>PUEDEN MATARLE EN MINUTOS</b> . El escape de generador contiene monóxido de carbono. Este es un gas tóxico que usted no puede ver ni puede oler.
		
<b>NEVER</b> use inside a home or garage, <b>EVEN IF</b> doors and windows are open.	Only use <b>OUTSIDE</b> and far away from windows, doors and vents.	Nunca utilice dentro de un hogar ni el garage, <b>INCLUSO SI</b> puertas y ventanas están abiertas. Solo utilice <b>AFUERAS</b> y lejos de ventanas abiertas, las puertas, y descargas.



## SAFETY WARNING WHEN REFUELING

Injury or death may occur as a result of improper fueling. Do not smoke while filling engine fuel tank.

Always refuel slowly to avoid the possibility of spilled fuel which may cause a risk of fire.

Gasoline is extremely flammable and its vapors can explode if ignited.

Observe all safety regulations for the safe handling of fuel. Handle fuel in safety containers. If the container does not have a spout, use a funnel.

Do not overfill the fuel tank, leave room for the fuel to expand.

Fill the tank only on an area of bare ground. While fueling the tank, keep heat, sparks and open flame away. Carefully clean up any spilled fuel before starting engine.

Always fill fuel tank in an area with plenty of ventilation to avoid inhaling dangerous fumes.

NEVER store fuel for your unit in the home. Gasoline, propane, kerosene, and other flammable liquids should be stored outside of living areas in properly-labeled, non-glass safety containers. Do not store them near a fuel-burning appliance, such as a natural gas water heater in a garage. If the fuel is spilled or the container is not sealed properly, invisible vapors from the fuel can travel along the ground and can be ignited by the appliance's pilot light or by arcs from electric switches in the appliance.





## ELECTRICAL HAZARDS

This product must be grounded. If it should malfunction or breakdown, grounding provides a path of least resistance for electric current to reduce the risk of electric shock. Do not touch live electrical parts.



**DANGER - IMPROPER CONNECTION OF THE EQUIPMENT-GROUNDING CONDUCTOR CAN RESULT IN A RISK OF ELECTROCUTION. CHECK WITH A QUALIFIED ELECTRICIAN OR SERVICE PERSON IF YOU ARE IN DOUBT AS TO WHETHER THE UNIT IS PROPERLY GROUNDED.**

This unit is equipped with a grounding terminal for your protection. Always complete the ground path from the unit to an external ground source as instructed in the section labeled “Grounding Instructions” in the Preparation section of this manual.

The unit is a potential source of electrical shock if not kept dry. Keep the unit dry and do not use in rain or wet conditions. To protect from moisture, operate it on a dry surface under an open, canopy-like structure. Dry your hands if wet before touching the unit.

Plug appliances directly into the unit. Or, use a heavy duty, outdoor-rated extension cord that is rated (in watts or amps) at least equal to the sum of the connected appliance loads. Check that the entire cord is free of cuts or tears and that the plug has all three prongs, especially a grounding pin.

NEVER try to power the house wiring by plugging the unit into a wall outlet, a practice known as “back feeding”. This is an extremely dangerous practice that presents an electrocution risk to utility workers and neighbors served by the same utility transformer. It also bypasses some of the built-in household circuit protection devices.

If you must connect the unit to the house wiring to power appliances, have a qualified electrician install the appropriate equipment in accordance with local electrical codes. Or, check with your utility company to see if it can install an appropriate power transfer switch.

For power outages, permanently installed stationary units are better suited for providing backup power to the home. Even a properly connected portable unit can become overloaded. This may result in overheating or stressing the unit components, possibly leading to a unit failure.

Do not use worn, damaged, undersized, or poorly spliced welding cables. Do not drape welding cables over your body. Do not touch electrode if you are in contact with the work, ground, or another electrode from a different machine.







## RISK OF FIRE OR EXPLOSION

Serious injury or death may occur from normal sparks in the engine ignition system or engine exhaust/muffler. Always operate the unit in a well ventilated area free of flammable vapors, combustible dust, gases or other combustible materials. Do not weld where the atmosphere may contain flammable dust, gas, or liquid vapors (such as gasoline).

DO NOT SMOKE if spraying flammable material. Locate the unit at least 20 feet away from the spray area. (An additional hose may be required.)

Never fill the engine fuel tank while the engine is running or hot. Allow the engine to cool two minutes before refueling. Do not refuel indoors or in a poorly ventilated area.

Do not operate the unit if gasoline is spilled. Wipe the unit clean and move it away from the spill. Avoid creating any ignition until the gasoline has evaporated.

Do not store the unit near an open flame or any equipment such as a stove, furnace, water heater, etc. which utilizes a pilot light or sparking device.

A spark arrester must be added to the muffler of this engine if it is to be used on any forest covered, brush covered or grass covered unimproved land. The arrester must be maintained in effective working order by the operator.

Serious injury may occur if any of the unit's ventilation openings are restricted, causing the unit to overheat and start a fire. Never place objects against or on top of the unit. Operate the unit at least 12 inches away from any wall or obstruction that would restrict proper ventilation.

Welding on closed containers, such as tanks, drums, or pipes, can cause them to explode. Accidental contact of electrode to metal objects can cause sparks, explosion, overheating, or fire.

Remove all flammables within 35 ft (10.7 m) of the welding arc. Do not weld where flying sparks can strike flammable material. Watch for fire, and keep a fire extinguisher nearby.

After completion of work, inspect area to ensure it is free of sparks, glowing embers, and flames. Remove stick electrode from holder when not in use.



## RISK OF BURSTING

Serious injury or death may occur from an air tank explosion if air tanks are not properly maintained. Drain air tank daily or after each use to prevent moisture buildup in the air tank.

If air tank develops a leak, replace the air tank immediately. Never repair, weld or make modifications to the air tank or its attachments. Use only genuine manufacturer repair parts for your unit. NEVER make adjustments to the factory set pressures.

Serious injury may occur from the unit malfunction or exploding accessories if incorrect system components, attachments or accessories are used. Never exceed manufacturers maximum allowable pressure rating of attachments.

Because of extreme heat, do not use plastic pipe or lead tin soldered joints for a discharge line.

Never use the unit to inflate small, low pressure objects such as toys.





## RISK OF BREATHING

Serious injury or death could occur from inhaling compressed air. The air stream may contain carbon monoxide, toxic vapors or solid particles. Never inhale air from the unit either directly or from a breathing device connected to the unit.

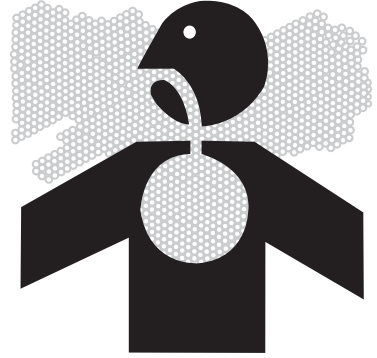
Serious injury or death may occur from inhaling engine exhaust. This unit was designed for outdoor use. Never operate this unit in an enclosed area. Always make certain there is adequate ventilation (fresh outside air) for breathing and combustion. This will prevent the buildup of dangerous carbon monoxide gases. Beware of poorly ventilated areas, or areas with inadequate exhaust fans.

Sprayed materials such as paint, solvents, paint remover, insecticides, weed killers, etc. contain harmful vapors and poisons. Operate the unit only in a well ventilated area. Follow all safety instructions provided with the materials you are spraying. Use of a respirator may be required when working with some materials.

Welding produces fumes and gases. Breathing these fumes and gases can be hazardous to your health. Keep your head out of the fumes. Do not breathe the fumes.

Do not weld in locations near degreasing, cleaning, or spraying operations. The heat and rays of the arc can react with vapors to form highly toxic and irritating gases.

Do not weld on coated metals, such as galvanized, lead, or cadmium plated steel. The coatings and any metals containing these elements can give off toxic fumes if welded.



## RISK OF BURNS

Serious injury could occur from touching exposed metal parts. These areas can remain hot for some time after the unit is shutdown. Never allow any part of your body or other materials to make contact with any exposed metal parts on the unit.

Never allow any part of your body to contact the engine muffler, compressor head or adjacent areas.





## RISK OF FLYING OBJECTS

Soft tissue damage can occur from the compressed air stream. Always wear safety glasses to shield the eyes from flying debris.

Never point the air stream at any part of your body, anyone else or animals.

Never leave pressurized air in the unit. Shut off the unit and relieve pressure when storing or attempting maintenance.

Serious injury can occur from loose debris being propelled at a high speed from the compressed air stream. Always maintain a safe distance from people and animals while operating the unit.

Do not move the unit while air tank is under pressure. Do not attempt to move the unit by pulling on the hose.



## RISK FROM MOVING PARTS

Risk of bodily injury from moving parts. Before performing maintenance, always turn off the unit. Bleed pressure from the air hose and disconnect spark plug wire to prevent engine from starting unexpectedly. All repairs to the unit should be made by an Authorized Service person.

Do not operate without protective covers/guards. Always turn off the unit before removing any guard. Replace damaged covers/guards before using the unit.





## IMPORTANT SAFETY INSTRUCTIONS

**WARNING:** To reduce the risk of injury, read this operator's manual completely before using. When using this product, the following basic precautions should always be followed:

1. Risk from Negligence: Risk of injury from negligent use. Never allow children or adolescents to operate this unit! Stay alert-watch what you are doing. Do not operate the unit when fatigued or under the influence of alcohol or drugs. Know how to stop the unit. Be thoroughly familiar with controls.
2. Risk of Unit Damage: Risk of major repair. Do not operate the unit without an air filter. Do not operate the unit in a corrosive environment. Always operate the unit in a stable, secure position to prevent the unit from falling. Follow all maintenance instructions listed in this manual. Overuse can cause overheating; allow cooling period; follow rated duty cycle. Reduce current or reduce duty cycle before starting to weld again. Do not block or filter airflow to unit.
3. When starting the unit, using recoil starter grip, be sure that nothing is in a position to be hit by the operator's hand or arm. Be sure the switch on electric power tools is in the "OFF" position before plugging them into the unit.
4. Do not operate the unit or any electrical tool in any area where water or similar materials constitute an electrical hazard to the operator. Do not operate on wet surfaces, in rain or in snow.
5. Always be sure that the unit is on secure footing so that it cannot slide or shift around, endangering workers.
6. Avoid contacting the hot exhaust manifold, muffler or cylinder(s).
7. Keep clear of all rotating parts.
8. Unless the tool or appliance is double insulated, it must be grounded through a properly grounded receptacle. Tools and appliances which have 3 prong plugs must be plugged into extension cords and electrical receptacles with 3 holes. Before operating any electrical item, be sure it is in good repair.
9. Beware of using this equipment in confined spaces. Confined spaces, without sufficient fresh air ventilation, can contain dangerous gases. Running gasoline engines in such environments can lead to deadly explosions and/or asphyxiation.
10. Use extreme caution when lifting this unit. This unit is heavy so proper lifting techniques should be used.

### SAVE THESE INSTRUCTIONS





## WEAR PROTECTIVE CLOTHING

Wear close fitting clothing and safety equipment appropriate to the job. Wear dry, hole-free insulating gloves and body protection.

Wear a suitable hearing protective device such as earmuffs or earplugs to protect against objectionable or uncomfortable loud noises.

Operating equipment safely requires the full attention of the operator. Do not wear radio or music headphones while operating machine.

Arc rays from the welding process produce intense visible and invisible (ultraviolet and infrared) rays that can burn eyes and skin. Sparks fly off from the weld. ARC RAYS can burn eyes and skin. Wear an approved welding helmet fitted with a proper shade of filter lenses to protect your face and eyes when welding or watching. Wear approved safety glasses with side shields under your helmet.

Use protective screens or barriers to protect others from flash, glare and sparks; warn others not to watch the arc. Wear protective clothing made from durable, flame-resistant material and foot protection.

Welding, chipping, wire brushing, and grinding cause sparks and flying metal. As welds cool, they can throw off slag. Wear approved safety glasses with side shields even under your welding helmet.

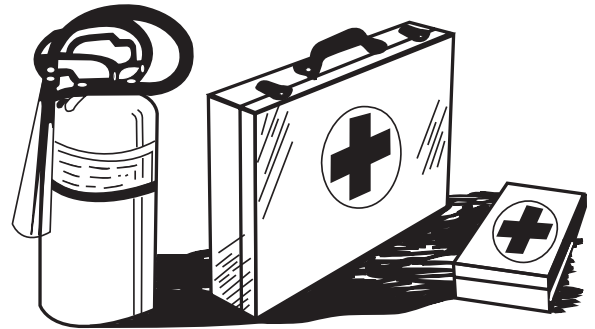


## PREPARE FOR EMERGENCIES

Keep a first aid kit and fire extinguisher handy.

Keep emergency numbers for doctors, ambulance service, hospital and fire department near your telephone.

Be prepared if a fire starts.



## INSPECT UNIT

Be sure all covers, guards and shields are tight and in place.

Locate all operating controls and safety labels.

Inspect power cord for damage before using. There is a hazard of electrical shock from crushing, cutting or heat damage.

## SERVICE UNIT SAFELY

Before servicing the unit, disconnect all equipment and battery (if equipped) and allow unit to cool down.

Service unit in a clean dry flat area.



# SAFETY SIGNS

MAINTENANCE INSTRUCTIONS		INSTRUCCIONES DE MANTENIMIENTO	
<b>REFER TO INSTRUCTION MANUAL FOR DETAILED INSTRUCTIONS.</b> If unit is operated in an excessively dirty or dusty area, increase the frequency of oil checks.		<b>LEA LAS INSTRUCCIONES PARA INSTRUCCIONES PARTICULARES.</b> Si la unidad está usado en un lugar bien sucio o de polvo, haga la frecuencia de los exámenes más.	
Daily:	<ul style="list-style-type: none"> <li>• Check for proper oil level(s) and oil leaks.</li> <li>• Check engine air filter. (if applicable)</li> <li>• Drain moisture from tank(s) daily or after each use.</li> <li>• Ensure all safety guards are correctly &amp; securely attached.</li> </ul>	Cada día:	<ul style="list-style-type: none"> <li>• Inspeccione para el nivel de aceite y vias de aceite.</li> <li>• Inspeccione el filtro de aire (si hay).</li> <li>• Drene la humedad de los tanques cada día o después de usar.</li> <li>• Asegúrese que las guardas de seguridad son acompañados segundamente y correctamente.</li> </ul>
Weekly:	<ul style="list-style-type: none"> <li>• Clean the cooling surfaces of the compressor.</li> <li>• Inspect air intake filter.</li> <li>• Check safety valves by pulling on rings.</li> </ul>	Cada semana:	<ul style="list-style-type: none"> <li>• Limpie las superficies enfriés del compresor.</li> <li>• Inspeccione el filtro del aire.</li> <li>• Inspeccione las válvulas con tirando los anillos.</li> </ul>
Monthly:	<ul style="list-style-type: none"> <li>• Check system for air leaks.</li> <li>• Check belt tension.</li> </ul>	Cada mes:	<ul style="list-style-type: none"> <li>• Inspeccione la sistema para vias.</li> <li>• Inspeccione la tensión de la correa.</li> </ul>
Every 200 hours:	<ul style="list-style-type: none"> <li>• Change pump oil.</li> <li>• Replace air filter.</li> </ul>	Cada dos cientos horas:	<ul style="list-style-type: none"> <li>• Cambie el aceite de la bomba.</li> <li>• Reemplaze filtro del aire.</li> </ul>
<b>REFER TO ENGINE MANUAL FOR RECOMMENDED ENGINE MAINTENANCE.</b>		<b>LEA USTED EL MANUAL DEL MOTOR PARA EL MANTENIMIENTO RECOMENDADO DEL MOTOR.</b>	

34-1285

<b>WARNING</b> <b>RISK OF BURNS</b> <b>MUFFLER AND ADJACENT AREAS MAY EXCEED 150°F.</b> <small>34-0598-E/S-ENG</small>	<b>ADVERTENCIA</b> <b>RIESGO DE QUEMAR</b> <b>EL AMORTIGUADOR Y LAS AREAS ADYACENTES PUEDEN TENER TEMPERATURAS POR ARRIBA DE 150°F.</b> <small>34-0598-E/S-ENG</small>
---	---

34-0598

<b>CAUTION/PRECAUTION</b> <b>RISK OF FIRE</b> <b>Do not add fuel when product is operating. Allow engine to cool for two (2) minutes before refueling.</b>	<b>RIESGO DE FUEGE</b> <b>No ponga combustible cuando el producto este en operacion. Permita que el motor se enfrie por 2 minutos antes de reabastecer de combustible.</b> <small>34-0599-E/S-030600-ENG</small>
--	--

34-0599

WARNING		ADVERTENCIA	
<b>READ ENTIRE INSTRUCTION MANUAL BEFORE OPERATING AIR COMPRESSOR!</b> <b>RISK OF FIRE OR EXPLOSION!</b> Do not spray flammable liquid in a confined area. Spray area must be well ventilated. Do not smoke while spraying or spray where spark or flame is present. Keep compressors as far from spraying area as possible.		<b>LEA USTED EL MANUAL DE INSTRUCCIONES ANTES DE USAR EL COMPRESOR DEL AIRE!</b> <b>RIESGO DE INCENDIO O EXPLOSION!</b> No rocíe el líquido inflamable en un área confinada. La zona para rociar tiene que ser bien ventilada. No fume cuando está rociando ni rocíe donde hay incendio o chispa. Ponga los compresores lejos de la zona de vapor si es posible.	
When a combustible liquid is sprayed there may be danger of fire or explosion, especially in a closed area. Air tanks may explode if not properly maintained. To prevent weakening of tanks caused by corrosion, drain tanks after each use.		No fume cuando está llenando el tanque de combustible siga todas las instrucciones de combustible en el manual del operador. Los tanques del aire puede explotar si no se mantiene bien. Para evitar la debilitación de los tanques del corrosión, drene los tanques cada uso.	
<b>RISK OF ASPHYXIATION!</b> Never use compressed air for breathing or respiration!		<b>RIESGO DE ASFIXIA!</b> Nunca se use el aire del compresor para respirar o respiración!	
<b>RISK OF SEVERE INJURY!</b> Before servicing gasoline unit, disconnect spark plug wire to prevent unit from starting unexpectedly.		<b>RIESGO DE LESIONES GRAVES!</b> Antes de mantener la unidad gasolina, desconecte el hilo de la telegrafista para evitar la unidad a arrancar inesperadamente.	
<b>RISK OF DAMAGING COMPRESSOR AND CAUSING INJURY!</b> Do not operate at pressure or speed in excess of manufacturer's recommendations.		<b>RIESGO DE QUEMADURAS!</b> No toque la cabeza del compresor, líneas del descargo o partes del motor. Permita que se enfrie antes del servicio.	
<b>FAILURE TO COMPLY WITH THESE WARNINGS WILL RESULT IN PERSONAL INJURY.</b> <b>DO NOT REMOVE THIS LABEL!</b>		<b>SI NO SIGA USTED ESTAS ADVERTENCIAS PUEDE CAUSAR LESIONES.</b> <b>NO SAQUE LA ETIQUETA!</b> <small>34-1615-E/S-101904-ENG</small>	

34-1615

<b>WARNING/ADVERTENCIA</b> <b>Do not operate unit without beltguard in place.</b>	<b>No opere la unidad sin todas la cubierta correa en su sitio.</b> <small>34-0826-E/S-030600-ENG</small>
--	--

34-0826

<b>WARNING/ADVERTENCIA</b> <b>RISK OF BURNS</b> <b>Beware of Hot Surfaces. Allow unit to cool before servicing.</b> <small>34-1284-E/S-083101-ENG</small>	<b>RIESGO DE QUEMADURA</b> <b>Tenga ud cuidado de los superficies calientes. Permita que la unidad se enfrie antes de mantener.</b>
--	--

34-1284

WARNING / ADVERTENCIA	
<b>RISK OF ELECTRICAL SHOCK OR ELECTROCUTION!</b> A generator is a potential shock hazard which can result in serious injury or death.	<b>RIESGO DE CALAMBRE ELECTRICO O ELECTROCUCION!</b> Un generador es un potencial riesgo de descarga que puede resultar en lesiones graves o muerte.
<ul style="list-style-type: none"> <li>• Generator must be kept dry.</li> <li>• Do NOT operate unit with wet hands.</li> <li>• Generator MUST be grounded before use. See operators manual for specific instructions.</li> <li>• Do not use around water or expose to rain. Store indoors.</li> </ul>	<ul style="list-style-type: none"> <li>• Generadores tienen que mantener secos.</li> <li>• No opere esta unidad con manos mojadas.</li> <li>• Generador TIENE que sea conectado a tierra antes de uso. Vea manual de operador para instrucciones específicas.</li> <li>• No use cerca agua ni tenga la unidad en la lluvia. Debe almacenarla dentro.</li> </ul>

34-1616

OPERATING INSTRUCTIONS FOR GASOLINE AIR COMPRESSORS		INSTRUCCIONES DE OPERACION PARA COMPRESORES DEL AIRE GASOLINA	
<b>WARNING</b> <b>AIR COMPRESSORS CAN CAUSE SERIOUS INJURY OR DEATH IF OPERATED IMPROPERLY. BEFORE OPERATING THIS UNIT READ AND UNDERSTAND THE ENTIRE OPERATOR'S MANUAL AND FOLLOW ALL SAFETY PRECAUTIONS.</b>	<b>ADVERTENCIA</b> <b>LOS COMPRESORES DEL AIRE PUEDEN CAUSAR LESIONES GRAVES LA MUERTE SI SE USE INCORRECTAMENTE. ANTES DE USAR EL COMPRESOR, LEA Y ENTIENDA TODAS LAS INSTRUCCIONES EN EL MANUAL Y OBSERVE LAS PRECAUCIONES DE SEGURIDAD.</b>		
<ol style="list-style-type: none"> <li>1. Flip the toggle on top of the pilot valve to the upright position. This provides a loadless start. The compressor will unload and allow the engine to start easier.</li> <li>2. Start the engine. (Refer to Engine Manual accompanying this unit.)</li> <li>3. When engine has run for 1-2 minutes, flip toggle back to original position.</li> <li>4. Stop the engine. (Refer to Engine Manual accompanying this unit.)</li> <li>5. Drain air from the tanks by releasing air with an attached air tool or by pulling on the safety relief valve rings.</li> <li>6. Once pressure in the tanks register under 10 pounds, open the drain valve under each tank to drain any moisture.</li> </ol>	<ol style="list-style-type: none"> <li>1. Eche la palanca accodada encima de la válvula pilota a la posición vertical. Con este hay un arranque sin carga. El compresor va a descargar y permitir el motor a arrancar facilmente.</li> <li>2. Arranque el motor. (Lea el manual del motor que está acompañado esta unidad)</li> <li>3. Cuando la unidad funciona para 1-2 minutos, mueva la palanca accodada a la posición original.</li> <li>4. Cierre el motor. (Lea el manual que está acompañado esta unidad)</li> <li>5. Drene los tanques del aire con un instrumento acompañado del aire o tire los anillos de la válvula segura.</li> <li>6. Cuando la presión en los tanques es menos de diez libras, abra la válvula debajo de cada tanque para des aguar cualquier humedad.</li> </ol>		

34-1286

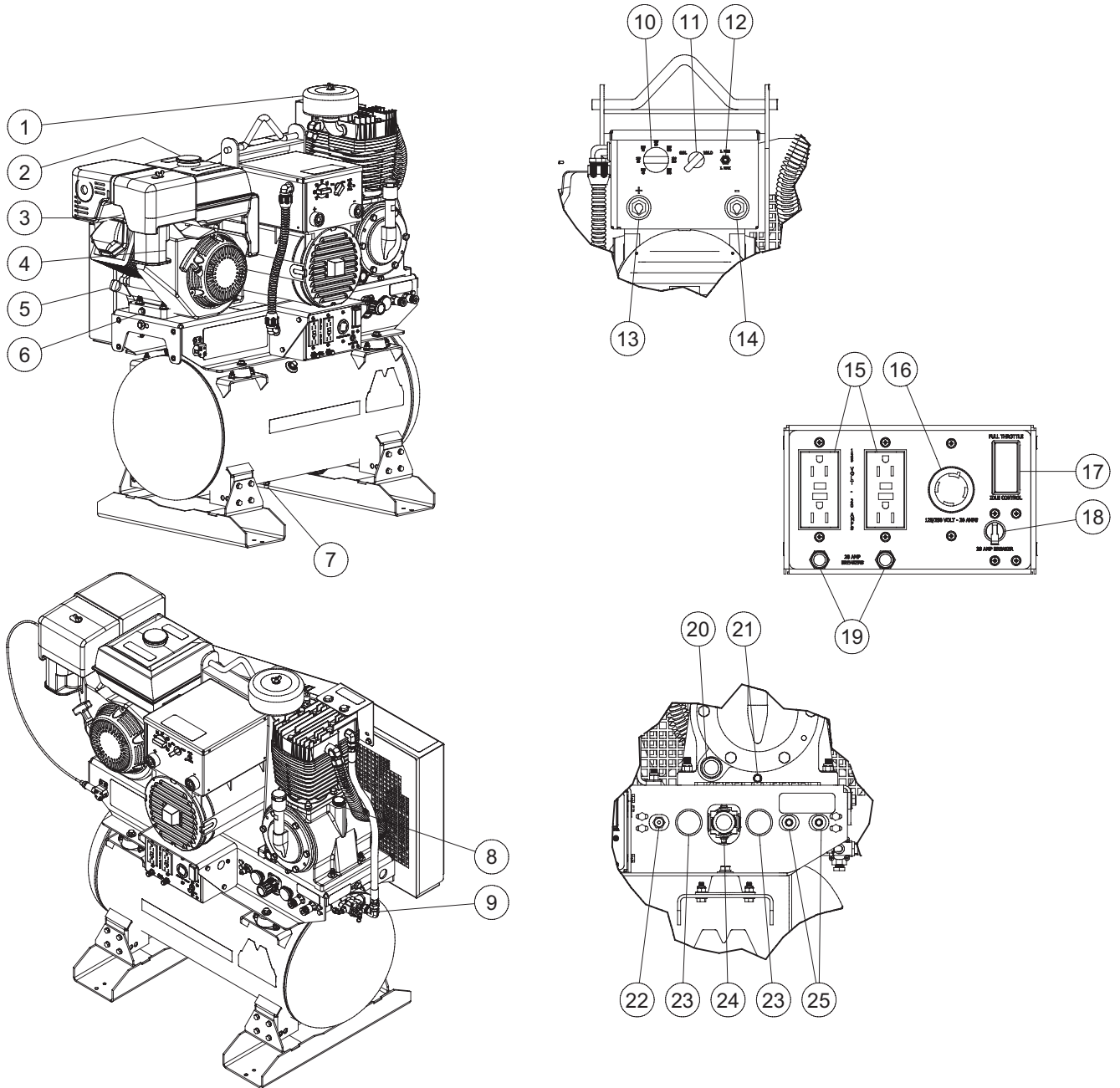
OPERATING INSTRUCTIONS FOR GENERATOR AND WELDER		INSTRUCCIONES DE UTILIZAR PARA GENERADOR Y SOLDADOR	
<b>WARNING</b> <b>GENERATOR / WELDER CAN CAUSE SERIOUS INJURY OR DEATH IF OPERATED IMPROPERLY. BEFORE OPERATING THIS UNIT READ AND UNDERSTAND THE ENTIRE OPERATOR'S MANUAL AND FOLLOW ALL SAFETY PRECAUTIONS.</b>		<b>ADVERTENCIA</b> <b>EL GENERADOR/SOLDADOR PUEDE CAUSAR LA HERIDA SERIA O LA MUERTE SI UTILIZADO INCORRECTAMENTE. ANTES DE UTILIZAR ESTA UNIDAD, LEA Y ENTIENDA EL MANUAL DEL OPERADOR ENTERO Y SIGA TODAS LAS PRECAUCIONES DE SEGURIDAD.</b>	
<ol style="list-style-type: none"> <li>1. Ensure the unit is grounded according to the owner's manual and national, state, and local codes. Wear proper protective equipment and clear the area of any hazards before operating the unit.</li> <li>2. To maximize welder output, do not weld while simultaneously filling the air tank or utilizing air tools.</li> <li>3. Toggle the Full Throttle / Idle Switch to select Full Throttle.</li> <li>4. Rotate switch to select weld amperage. Do NOT adjust the control output while welding.</li> <li>5. For Direct Current Electrode Positive (DCEP), connect work cable to Negative (-) terminal and electrode holder to Positive (+) terminal. (thicker material and more penetration) For Direct Current Electrode negative (DCEN), reverse cable connections.</li> </ol>		<ol style="list-style-type: none"> <li>1. Asegure que la unidad es conectada a la tierra según el manual del propietario y códigos nacionales, estatales, y locales. Lleve el equipo protector apropiado y limpie el área de cualquier riesgo antes de utilizar la unidad.</li> <li>2. Para maximizar el rendimiento de soldador, no soldé mientras simultáneamente llenando el tanque de aire o utilizando instrumentos de aire.</li> <li>3. Cambie el Interruptor de Toda Velocidad/Ocioso para seleccionar Toda Velocidad.</li> <li>4. Gire el interruptor para seleccionar el amperaje de soldar. NO ajuste el rendimiento de control mientras soldando.</li> <li>5. Para el Electrodo Corriente Directo Positivo (DCEP), una el cable de trabajo al terminal (-) Negativo y el tenedor del electrodo al terminal Positivo (+). (material más grueso y más penetración) Para el Electrodo Corriente Directo Negativo (DCEN), invierta uniones de cable.</li> </ol>	

34-2666

DANGER		DANGER		PELIGRO	
<b>Using a generator indoors CAN KILL YOU IN MINUTES.</b> Generator exhaust contains carbon monoxide. This is a poison you cannot see or smell.		<b>L'utilisation d'un groupe électrogène à l'intérieur PEUT VOUS TUER EN QUELQUES MINUTES.</b> Le gaz d'échappement du groupe électrogène contient de l'oxyde de carbone. C'est un gaz toxique que l'on ne peut pas voir ou sentir.		<b>Utilizando un generador adentro PUEDE MATARLE EN MINUTOS.</b> El escape de generador contiene monóxido de carbono. Este es un gas tóxico que usted no puede ver ni puede oler.	
<b>NEVER use inside a home or garage, EVEN IF doors and windows are open.</b>		<b>N'utiliser qu'à l'EXTÉRIEUR et bien éloigné des fenêtres, portes, et conduits d'aération.</b>		<b>Nunca utilize dentro de un hogar ni el garage, INCLUSO SI puertas y ventanas están abiertas.</b>	

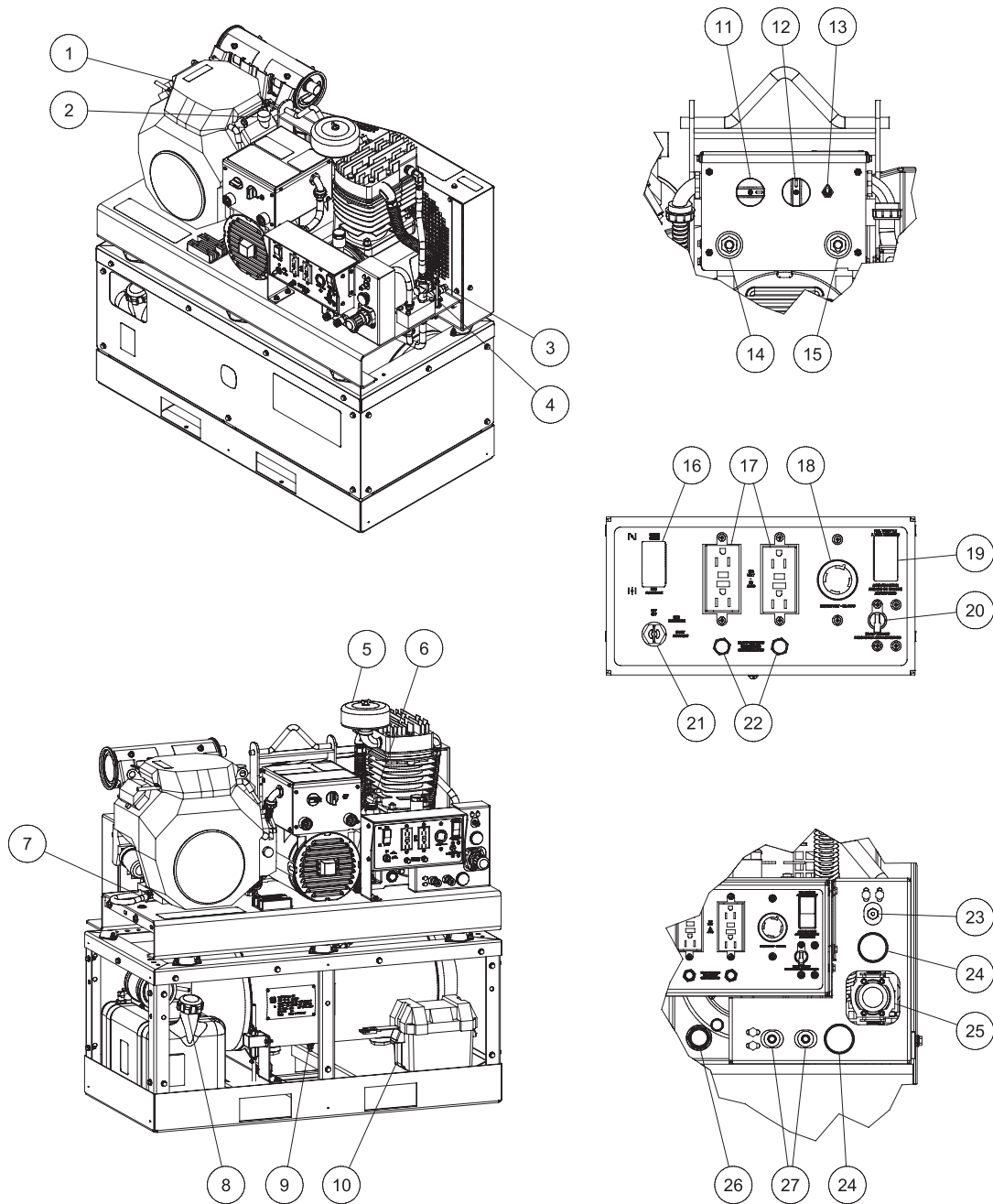
34-1916

# Controls



- |                      |  |                            |
|----------------------|--|----------------------------|
| 1-Pump Air Filter    | 10-Weld Amperage Setting               | 18-20A Toggle Breaker      |
| 2-Fuel Cap           | 11-Generator/Welder Selector Switch    | 19-20A Push Button Breaker |
| 3-Engine Air Cleaner | 12-Min/Max Weld Amperage Toggle Switch | 20-Pump Oil Sight Glass    |
| 4-Engine Choke       | 13-Positive Welding Terminal           | 21-Pump Oil Drain          |
| 5-Engine Oil Fill    | 14-Negative Welding Terminal           | 22-Safety Relief Valve     |
| 6-Engine Oil Drain   | 15-125V Receptacle                     | 23-Pressure Gauge          |
| 7-Air Tank Drain     | 16-125/250V 20A Twist Lock             | 24-Regulator               |
| 8-Pump Oil Fill      | 17-Idle Control Switch                 | 25-Quick Connect           |
| 9-Pilot Valve        |  |                            |

# Controls



- 1-Engine Air Cleaner
- 2-Engine Oil Fill
- 3-Pump Oil Drain
- 4-Pilot Valve
- 5-Pump Air Filter
- 6-Pump Oil Fill
- 7-Engine Oil Drain
- 8-Fuel Cap
- 9-Air Tank Drain
- 10-Battery

- 11-Weld Amperage Setting
- 12-Generator/Welder Selector Switch
- 13-Min/Max Weld Amperage Toggle Switch
- 14-Positive Welding Terminal
- 15-Negative Welding Terminal
- 16-Engine Choke
- 17-125V Receptacle
- 18-125/250V 20A Twist Lock

- 19-Idle Control Switch
- 20-20A Toggle Breaker
- 21-Engine Keyswitch
- 22-20A Push Button Breaker
- 23-Safety Relief Valve
- 24-Pressure Gauge
- 25-Regulator
- 26-Pump Oil Sight Glass
- 27-Quick Connect



# Installation

## INSTALLATION

Read safety warnings before setting-up the unit.

Ensure the oil level in the unit's pump is adequate. If low, add SAE-30W non-detergent oil.

### LOCATION:

In order to avoid damaging the unit, do not incline the unit transversely or longitudinally more than 10°.



**WARNING: RISK OF ASPHYXIATION! DO NOT OPERATE IN AN ENCLOSED AREA. USE THIS PRODUCT ONLY IN WELL VENTILATED AREAS! THE EXHAUST FROM THE ENGINE CONTAINS CARBON MONOXIDE, A POISONOUS, ODORLESS AND INVISIBLE GAS. BREATHING THE GAS CAN CAUSE SERIOUS INJURY, ILLNESS AND POSSIBLE DEATH.**



**WARNING: RISK OF EXPLOSION OR FIRE CAUSING SERIOUS INJURY OR DEATH! DO NOT ALLOW THE ENGINE OR MUFFLER TO COME IN CONTACT WITH FLAMMABLE VAPORS, COMBUSTIBLE DUST, GASES OR OTHER COMBUSTIBLE MATERIALS. A SPARK MAY CAUSE A FIRE.**

**WHEN USING THE UNIT FOR SPRAY PAINTING, PLACE THE UNIT AS FAR AWAY FROM THE WORK AREA AS POSSIBLE, USING EXTRA AIR HOSES IF NEEDED.**

Place unit at least 12 inches away from obstacles that may prevent proper ventilation. Do not place unit in an area:

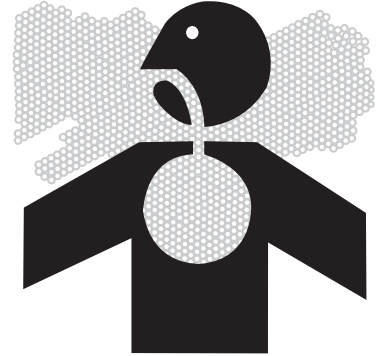
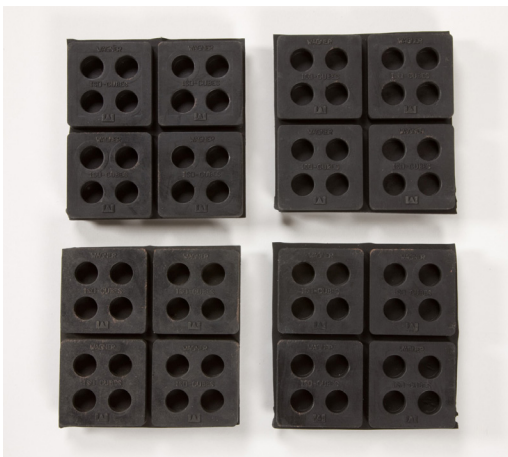
- where there is evidence of oil or gas leaks.
- where flammable gas vapors or materials may be present.
- where air temperatures fall below 32°F or exceed 104°F.
- where extremely dirty air or water could be drawn into the unit.

### SERVICE TRUCK INSTALLATION:

Installations may vary. Mounting should be done to a rigid frame member. Installer is responsible for securing the equipment in a safe manner.

### 30 GALLON UNITS:

Optional Hardware: IX-0001 (Isolators).



## GROUNDING INSTRUCTIONS

This product must be grounded. If it should malfunction or breakdown, grounding provides a path of least resistance for electric current to reduce the risk of electric shock.



**DANGER: IMPROPER CONNECTION OF THE EQUIPMENT GROUNDING CONDUCTOR CAN RESULT IN A RISK OF ELECTROCUTION. CHECK WITH A QUALIFIED ELECTRICIAN OR SERVICE PERSON IF YOU ARE IN DOUBT AS TO WHETHER THE UNIT IS PROPERLY GROUNDED.**

The screw and ground terminal on the frame must always be used to connect the unit to a suitable ground source. The ground path should be made with #8 size wire. Connect the terminal of the ground wire between the star washers and screw then tighten the screw fully. Connect the other end of the wire securely to a suitable ground source.

The National Electric Code contains several practical ways in which to establish a good ground source. Examples given below illustrate a few of the ways in which a good ground source may be established.

A metal underground water pipe in direct contact with the earth for at least 10 feet can be used as a grounding source. If a pipe is unavailable, an 8 foot length of pipe or rod may be used as the ground source. The pipe should be 3/4 inch trade size or larger and the outer surface must be noncorrosive. If a steel or iron rod is used it should be at least 5/8 inch diameter and if a nonferrous rod is used it should be at least 1/2 inch diameter and be listed as material for grounding. Drive the rod or pipe to a depth of 8 feet. If a rock bottom is encountered less than 4 feet down, bury the rod or pipe in a trench. All electrical tools and appliances operated from this unit, must be properly grounded by use of a third wire or be "Double Insulated".

It is recommended to:

1. Use electrical devices with 3 prong power cords.
2. Use an extension cord with a 3 hole receptacle and a 3 prong plug at the opposite ends to ensure continuity of the ground protection from the unit to appliance.

Mi-T-M strongly recommends that all applicable federal, state and local regulations relating to grounding specifications be checked and followed.

### LINE TRANSFER SWITCH:

If this unit is used for standby service, it must have a transfer switch between the utility power service and the unit. The transfer switch not only prevents the utility power from feeding into the unit, but also prevents the unit from feeding out into the utility company's lines. This is intended to protect the serviceman who may be working on a damaged line.

**THIS INSTALLATION MUST BE DONE BY A LICENSED ELECTRICIAN AND ALL LOCAL CODES MUST BE FOLLOWED.**



**GASOLINE ENGINE**

Review "Risk of Fire or Explosion" before fueling. Read the engine manual accompanying this unit for correct engine start-up maintenance procedures. Read and understand the safety labels located on the unit.



**WARNING: RISK OF EXPLOSION OR FIRE CAUSING SERIOUS INJURY OR DEATH! DO NOT SMOKE WHILE FUELING!**

**DO NOT FILL FUEL TANK WHILE THE UNIT IS RUNNING OR HOT. ALLOW THE UNIT AND ENGINE TO COOL DOWN FOR TWO MINUTES BEFORE REFUELING.**

**DO NOT FILL FUEL TANK TO POINT OF OVERFLOWING. ALLOW APPROXIMATELY 1/4" OF TANK SPACE FOR FUEL EXPANSION.**

**DO NOT PLACE UNIT IN AN AREA WHERE FLAMMABLE GAS VAPORS MAY BE PRESENT. A SPARK COULD CAUSE AN EXPLOSION OR FIRE.**

**ALWAYS STORE FUEL AWAY FROM THE UNIT WHILE IT IS RUNNING OR HOT.**



**WARNING: RISK OF EXPLOSION OR FIRE CAUSING SERIOUS INJURY OR DEATH DO NOT ALLOW THE ENGINE OR MUFFLER TO COME IN CONTACT WITH FLAMMABLE VAPORS, COMBUSTIBLE DUST, GASES OR OTHER COMBUSTIBLE MATERIALS. A SPARK MAY CAUSE A FIRE.**

**WHEN USING THE UNIT FOR SPRAY PAINTING, PLACE THE UNIT AS FAR AWAY FROM THE WORK AREA AS POSSIBLE, USING EXTRA AIR HOSES IF NEEDED.**

A minimum of 87 octane fuel is recommended for use with this air compressor. Do not mix oil with gasoline.

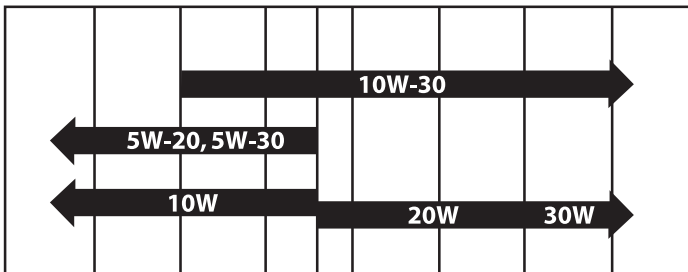
Use of clean, fresh, lead free gasoline is recommended. Leaded gasoline may be used if lead free is not available. Do not use gasoline containing methanol or alcohol.

Refer to the engine manual for all necessary maintenance and adjustments.

**ENGINE OIL**

Use oil viscosity based on the expected air temperature range during the period between oil changes.

TEMPERATURE CHART



°F -20 -10 20 32 40 60 80 100  
 °C -30 -20 -10 0 10 20 30 40

Use a high quality detergent oil with API classifications of SJ or higher.

Check oil level before each operation and ensure that it is maintained.

 **CAUTION: THIS ENGINE CRANKCASE IS NOT FILLED WITH OIL AT THE FACTORY, SO BE SURE TO FILL IT BEFORE OPERATING THE ENGINE.**

### ENGINE OIL CAPACITY

MODEL #	Liters	Quart	Ounces
AGW-SR14-30M	1.2	1.27	40.5
AGW-SH22-20M	2.0	2.1	67.6

**NOTE:** These engines are equipped with a “Low Oil” shut-off system for engine protection. If the engine fails to start, check engine crankcase for oil.


To fill with oil:

1. Level the engine to ensure accurate inspection and to prevent overfilling.
2. Unscrew the oil gauge (Fig. 1), wipe the dipstick dry. Reinsert the oil gauge back into the oil fill gauge opening. Remove the oil gauge and check the oil level.
3. The oil level should be between the full and low marks on the dipstick. (Fig. 2)

**NOTE:** When checking the oil be sure the engine is level.

4. Fill with oil as required through the oil fill gauge opening.
5. Replace the oil gauge and screw in firmly.
6. Wipe up any spilled oil.

### FUELING

 **WARNING: EXPLOSIVE FUEL! GASOLINE IS EXTREMELY FLAMMABLE AND ITS VAPORS CAN EXPLODE IF IGNITED.**

**STORE GASOLINE ONLY IN APPROVED CONTAINERS, IN WELL VENTILATED, UNOCCUPIED BUILDINGS AND AWAY FROM SPARKS OR FLAMES.**

**DO NOT FILL THE FUEL TANK WHILE THE ENGINE IS HOT OR RUNNING, SINCE SPILLED FUEL COULD IGNITE IF IT COMES IN CONTACT WITH HOT PARTS OR SPARKS FROM IGNITION. DO NOT START THE ENGINE NEAR SPILLED FUEL.**

**NEVER USE GASOLINE AS A CLEANING AGENT.**

 **WARNING: DO NOT OVERFILL THE FUEL TANK, LEAVE ROOM FOR THE FUEL TO EXPAND.**

#### General Recommendations

- Purchase gasoline in small quantities and store in clean, approved containers.
- To minimize gum deposits in your fuel system and to insure

easy starting, do not use gasoline left over from the previous season.

- Do not add oil to the gasoline.

**Fuel Type**

- For best results use only clean, fresh, unleaded gasoline with a pump sticker octane rating of 87 or higher.
- Unleaded gasoline is recommended as it leaves less combustion chamber deposits.

**GASOLINE/ALCOHOL BLENDS:**

Gasohol (up to 10% ethyl alcohol, 90% unleaded gasoline by volume) is approved, as a fuel. Other gasoline/alcohol blends are not approved.

**GASOLINE/ETHER BLENDS:**

Methyl Tertiary Butyl Ether (MTBE) and unleaded gasoline blends (up to a maximum of 15% MTBE by volume) are approved as a fuel. Other gasoline/ether blends are not approved.

**BATTERY INSTALLATION**



**WARNING: SHOULD ONLY BE DONE BY AN AUTHORIZED DEALER.**

**BATTERY REPLACEMENT #**

32-0058

**HIGH ALTITUDE**

At high altitude, the standard carburetor air/fuel mixture will be too rich. Performance will decrease, and fuel consumption will increase. A very rich mixture will also foul the spark plug and cause hard starting. Operation at an altitude that differs from that at which this engine was certified, for extended periods of time, may increase emissions.

High altitude performance can be improved by specific modifications to the carburetor. If you always operate your unit at altitudes above 5,000 feet (1,500 meters), have your dealer perform this carburetor modification. This engine, when operated at high altitude with the carburetor modifications for high altitude use, will meet each emission standard throughout its useful life.

Even with carburetor modification, engine horsepower will decrease about 3.5% for each 1,000-foot (300-meter) increase in altitude. The effect of altitude on horsepower will be greater than this if no carburetor modification is made.

**NOTE:** *When the carburetor has been modified for high altitude operation, the air/fuel mixture will be too lean for low altitude use. Operation at altitudes below 5,000feet (1,500 meters) with a modified carburetor may cause the engine to overheat and result in serious engine damage.*

*For use at low altitudes, have your servicing dealer return the carburetor to original factory specifications.*

# Operation

## OPERATION

### PRE-OPERATION:

Check the engine oil level before starting. (See engine manual.) Fill the fuel tank according to the engine manual instruction.

Pump oil level should be checked before each use. Check the oil level indicator on the pump crankcase. Make certain the oil is in the center of the oil sight glass. If the level appears to be low, fill with SAE20 or 30 non-detergent pump oil.

Remove any moisture in the unit's air tank.



**WARNING: NEVER ATTEMPT TO OPEN THE AIR TANK DRAIN VALVE WHEN MORE THAN 10 PSI OF AIR PRESSURE IS IN THE AIR TANK!**

Remove excessive pressure with an air tool, then open the Air Tank Drain Valve in the bottom of the air tank. Close tightly when drained. Make sure the Engine Switch is in the "OFF" position. Make sure the Safety Relief Valve is working correctly. Make sure all guards and covers are in place and securely mounted.

### START-UP:

1. Read safety warnings before performing operation.
2. Make sure the unit is grounded. See Grounding Instructions.

*NOTE: Unplug all equipment from the power receptacles before starting the unit.*

3. Flip the toggle on top of the Pilot Valve to the upright position. This provides a load less start. The unit will unload and allow easier engine start-up.
4. Start the engine. (Refer to the Engine Manual accompanying this unit. On Honda engine units, the choke and key switch is located on the electric box panel.)
5. When the engine has run for 1-2 minutes, flip toggle back to the original position.
6. Set pressure by adjusting the Pressure Regulator counterclockwise for less pressure and clockwise for more pressure.
7. Ensure breakers are in on position.
8. Test the GFCI receptacle(s) on the unit. Push the test button. The reset button should pop out and there should be no power at the receptacle. Apply a test load or lamp to each receptacle to verify. IF THE RESET BUTTON DOES NOT POP OUT, DO NOT USE THE RECEPTACLES(S). SEE DEALER FOR SERVICE IMMEDIATELY.
9. If GFCI receptacle(s) test correctly, firmly push the reset button to restore power. A distinctive click should be heard or felt when this is complete. IF THE RECEPTACLE(S) DO NOT RESET PROPERLY, DO NOT USE THE RECEPTACLE(S). SEE DEALER FOR SERVICE IMMEDIATELY.
10. Turn idle control switch to AUTO-IDLE DOWN position. Loads can now be applied to unit.

### WELDING START-UP:

1. Remove all AC electrical loads from the unit.
2. Move GEN/WELD switch to WELD position.
3. Position selector switch min/max switch for amperage setting.

4. Move idle control to full throttle setting.
5. Check grounding.
6. Welding Cable Diagram (Selecting Weld Cable Sizes)\*:



**WARNING: DO NOT USE WORN, DAMAGED, UNDERSIZED, OR POORLY SPLICED CABLES. TURN OFF POWER BEFORE CONNECTING TO WELD OUTPUT TERMINALS.**

Weld Output Terminals							
Weld Cable Size** and Total Cable (Copper) Length in Weld Circuit Not Exceeding***							
Welding Amperes	100 ft (30 m) or Less	150 ft (45 m)	200 ft (60 m)	250 ft (70 m)	300 ft (90 m)	350 ft (105 m)	400 ft (120 m)
	100% Duty Cycle	10 – 100% Duty Cycle					
100	4 (20)	4 (20)	3 (30)	2 (35)	1 (50)	1/0 (60)	1/0 (60)
150	3 (30)	2 (35)	1 (50)	1 (50)	2/0 (70)	3/0 (95)	3/0 (95)
200	2 (35)	1 (50)	1/0 (60)	2/0 (70)	3/0 (95)	4/0 (120)	4/0 (120)

\* This chart is a general guideline and may not suit all applications. If cable overheats, use next size larger cable.

\*\*Weld cable size (AWG) is based on either a 4 volts or less drop or a current density of at least 300 circular mils per ampere ( ) = mm<sup>2</sup> for metric use.

\*\*\*For distances longer than those shown in this guide, call a representative at 800-553-9053.

**ELECTRODE CHART**

ELECTRODE	DIAMETER	AMPERAGE RANGE					
		50	100	150	200	250	300
6010 and 6011	3/32	■					
	1/8		■				
	5/32			■			
6011	3/16			■			
	1/16	■					
6013	5/64	■					
	3/32		■				
	1/8			■			
	5/32				■		
	3/16					■	
7014	3/32		■				
	1/8			■			
	5/32				■		
	3/16					■	
7018	3/32		■				
	1/8			■			
	5/32				■		
	3/16					■	

34-2670 081711

*NOTE: This engine is equipped with a "Low Oil" shutdown system for engine protection. The engine stops when the oil level gets too low. The engine will not restart without adding oil.*

*If you notice any unusual noise or vibration, stop the unit and refer to "Troubleshooting".*

#### **SHUTDOWN:**

1. Remove all load by turning off electrical appliances and unplugging electric/welding cords.
2. Move the Engine Switch to the "Off" position. (Refer to the Engine Manual accompanying this unit.)
3. Move the GEN/WELD switch to the GEN position.
4. Drain air from the air tanks by releasing air with an attached air tool or by pulling on the Safety Relief Valve.
5. Once the Air Tank Pressure Gauge registers under 10 pounds, open the drain valve under each air tank to drain any moisture.
6. Close fuel valve on unit or engine.
7. Wipe the unit clean and store in a safe, non-freezing, dry area.

*NOTE: Failure to allow the engine to cool at idle for two (2) minutes may result in damage to the generator.*

## **OPERATING CONTROLS**

### **IDLE CONTROL OPERATION:**

**Note: Idle control is disabled in welding mode. Idle control switch must be at full throttle setting.**

The idle control is factory installed. This electrical device is designed to let the engine run at fuel saving low idle speed when the generator or compressor are not loaded, and at full normal governed speed when a load is applied. The idle system overrides the engine governor to provide idle speed. When a load is applied, the electronic circuit reacts to de-energize the idle system so that the engine can resume full governed operating speed.

The idle control system controls the engine speed in the following manner:

1. With the idle control switch in the "FULL THROTTLE" position, start the engine.
2. After one or two minute warm up period, apply load and move the switch to the "IDLE CONTROL" position. The engine will throttle back to idle speed following a 5-8 second delay.
3. When a load is applied to the generator or air compressor tank pressure drops below regulated set point. The idle control system becomes de-energized. The engine then accelerates to normal operating speed, controlled by the governor.
4. When the load is removed or air compressor tank pressure is restored, the idle system becomes re-energized and throttles the engine back to idle speed after a 5-8 second delay.

*NOTE: While the engine is idling, the generator voltage is automatically reduced to reduce generator temperatures. The voltage will return to normal levels immediately upon the application of load.*



## OPERATION

### CABLE SIZE:

Equipment damage can result from low voltage. Therefore, to prevent excessive voltage drop between the unit and the equipment, the cable should be of adequate gauge for the length used. The cable selection chart gives the maximum cable lengths for various gauges of wire which can adequately carry the loads shown.

CURRENT IN AMPS	LOAD IN WATTS		MAXIMUM CABLE LENGTH (FEET)				
	120 VOLTS	240 VOLTS	#8 WIRE	#10 WIRE	#12 WIRE	#14 WIRE	#16 WIRE
2.5	300	600		1000	600	375	250
5	600	1200		500	300	200	125
7.5	900	1800		350	200	125	100
10	1200	2400		250	150	100	50
15	1800	3600		150	100	65	
20	2400	4800	175	125	75	50	
25	3000	6000	150	100	60		
30	3600	7200	125	65			
40	4800	9600	90				

### ELECTRIC MOTOR LOADS:

It is characteristic of common electric motors in normal operation to draw up to six times their running current while starting. This table may be used to estimate the watts required to start "CODE G" electric motors.



**CAUTION: IF AN ELECTRIC MOTOR FAILS TO START OR REACH RUNNING SPEED, TURN OFF THE APPLIANCE OR TOOL IMMEDIATELY TO AVOID EQUIPMENT DAMAGE. ALWAYS CHECK THE REQUIREMENTS OF THE TOOL OR APPLIANCE BEING USED COMPARED TO THE RATED OUTPUT OF THE UNIT.**

MOTOR (H.P.)	RUNNING WATTS	WATTS REQUIRED TO START MOTOR		
		REPULSION INDUCTION	CAPACITOR	SPLIT PHASE
1/8	275	600	850	1200
1/6	275	600	850	2050
1/4	400	850	1050	2400
1/3	450	975	1350	2700
1/2	600	1300	1800	3600
3/4	850	1900	2600	
1	1100	2500	3300	

# Troubleshooting

Symptom	Problem	Solution
<b>Engine will not start.</b>	Various engine problems.	Refer to the engine manual accompanying your unit.
<b>Noisy operation.</b>	Loose engine pulley or pump flywheel.	Tighten pulley and or flywheel.
	Lack of oil in the pump.	Add correct amount of oil. Check for bearing damage.
	Carbon deposits on pistons or valves.	Remove cylinder head and inspect. Clean or replace.
	Bearing, piston or connecting rod failure.	STOP THE UNIT! Contact customer service.
<b>Pressure drop in air tank or rapid pressure loss when the unit is shut off.</b>	Air leaks at connections.	Allow the unit to build pressure to the maximum allowed. Turn off and brush a soapy water solution onto all connections. Check connections for air bubbles. Tighten the connections where leaks are present.
	Air leak in air tank.	Air tank must be replaced. Do not attempt to repair air tank!
<b>Insufficient pressure at air tool or accessory.</b>	Defective Pilot Valve.	Clean or replace.
	Pressure Regulator not turned to high enough pressure or defective.	Adjust Pressure Regulator to proper setting or replace.
	Restricted air intake.	Clean or replace Air Intake Filter.
	Air leaks or restrictions.	Check for leaks and repair.
	Hose or hose connections are too small or long.	Replace with larger hose or connectors.
	Slipping belt.	Tighten or replace.
	The unit is not large enough for air requirement.	Check the accessory air requirement. If it is higher than the CFM or pressure supply to the air compressor, use a larger unit.
Restriction in Pilot Valve.	Clean or replace.	

<b>Symptom</b>	<b>Problem</b>	<b>Solution</b>
<b>Unit has no output.</b>	Circuit breakers tripped. Inadequate cord sets or extension cords.	Reset circuit breakers. Check cord sets or extension cords capabilities.
<b>Air leaks from Safety Relief Valve.</b>	Possible defective Safety Relief Valves.	Operate Safety Relief Valve manually by pulling on ring. If it still leaks, it should be replaced.
<b>Air leaks at pump.</b>	Excessive air tank pressure. Defective gaskets.	Clean, reset or replace Pilot Valve. Tighten bolts on compressor head to proper torque or replace gaskets.
<b>Air blowing from Air Intake Filter.</b>	Defective inlet (reed) valve.	Contact your Customer Service Center.
<b>Moisture in discharge air.</b>	Condensation in air tank caused by high level of atmospheric humidity or the unit is not run long enough.	Run the unit a minimum of one hour to prevent condensation buildup. Drain air tank more often in humid weather and use an air line filter.
<b>Excessive oil consumption or oil in hose.</b>	Restricted Air Intake Filter.  The unit on unlevel surface.  Crankcase overfilled with oil.  Wrong viscosity.  Plugged crankcase breather. Oil leaks.  Worn piston rings or scored cylinder.	Clean or replace.  Do not incline the unit more than 10° in any direction while running.  Drain oil. Refill to proper level with SAE-30W non-detergent oil.  Drain oil. Refill to proper level with SAE-30W non-detergent oil.  Clean or replace. Tighten bolts on compressor to proper torque or replace gaskets.  Contact your Customer Service Center.
<b>Oil has milky appearance.</b>	Water in oil due to condensation.	Change oil and move air compressor to a less humid environment.
<b>Unit has no output.</b>	Inadequate cord sets or extension cords.	Check cord sets or extension cords capabilities in section Maintenance; Cable Size in this manual. Consult your Customer Service Center.

# Maintenance

## MAINTENANCE CHART:

To ensure satisfactory operation over an extended period of time, an engine requires normal maintenance at regular intervals. The Periodic Maintenance Chart below shows periodic inspection and maintenance items and suitable intervals. The bullet mark designates that the corresponding item should be performed at that interval.

*NOTE: Some adjustments require the use of special tools or other equipment. An electronic tachometer will facilitate setting idle and running speeds.*

Procedure	Daily	Weekly	Monthly	100 Hours	200 Hours	Before Storage
Check Pump Oil Level	x					
Check Engine Oil Level	x					
Oil Leak Inspection	x					
Check Engine Air Filter	x					
Drain Condensation in Air Tank (s)	x					
Inspect Guards/Covers	x					
Check for Unusual Noise/Vibration	x					
Check for Air Leaks	x					
Check cylinder and head fins for dust and dirt	x					
Check battery electrolyte level	x					
Check fuel lines (replace if necessary)	x					
Clean Exterior of Compressor		x				
Inspect Air Filter		x				
Inspect Belt			x			
Check Safety Relief Valve			x			
Change engine oil (**)				x		
Clean fuel filter				x		
Clean dust and dirt from cylinder and cylinder head fins (***)				x		
Change Pump Oil (*)					x	
Replace Air Filter					x	
Check Engine Spark Plug					x	
Add fuel stabilizer						x
Run unit dry						x

• The pump oil must be changed after the first 50 hours of operation and every 200 hours or 3 months, whichever comes first.

•• The engine oil must be changed after the first 5 hours of operation and every 50 hours or 3 months, whichever comes first.

••• Service more frequently under dusty conditions.

Every 2 years, an Authorized Service Technician should check the safety valve, intake valves and delivery valves.

## MAINTENANCE

Read the instruction manual before performing maintenance.

Keep all air vents clear.

Keep the unit clean.

DO NOT spray with water.

Periodically check all fasteners and tighten, see the periodic maintenance chart.

The following procedures must be performed when stopping the unit for maintenance or service:

1. Turn off the unit.
2. Disconnect spark plug wire from engine.
3. Open all drains.
4. Wait for the unit to cool before starting service.

### ENGINE:

The engine for this unit is governed to operate at speeds close to 3600 RPM (60Hz) throughout the operating load range.



**WARNING: DO NOT TAMPER WITH THE GOVERNOR MECHANISM, CHANGE THE SETTING EXPERIMENTALLY, OR PUSH THE THROTTLE OPEN IN AN ATTEMPT TO GENERATE MORE ELECTRICAL CURRENT; EQUIPMENT DAMAGE OR PERSONAL INJURY MAY RESULT.**

**GOVERNOR SPEED ADJUSTMENT SHOULD BE MADE ONLY BY A SERVICING DEALER.**

### CHECKING ENGINE OIL:

Check oil level before each operation and ensure that it is maintained per engine manual.

### CHANGING ENGINE OIL:

Change oil after the first 25 hours of operation. Thereafter it should be changed every 50 hours.

1. Make sure the unit is on level ground. Run the engine to warm the oil.
2. Stop the engine.
3. Remove the oil drain plug. (See Fig. 1)



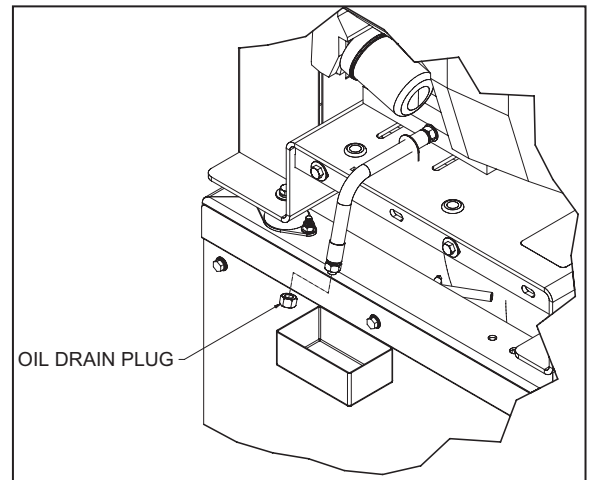
**CAUTION: OIL BEING DRAINED MAY BE HOT. TO REDUCE THE RISK OF BURN INJURY, HANDLE WITH CARE. DISPOSE OF USED OIL PROPERLY.**

4. Drain oil while engine is warm, into a suitable container.
5. Reinstall the oil drain plug.
6. Remove oil gauge and refill with new oil. (Fig. 2)
7. Check the oil level as instructed in the engine manual.
8. Wipe up any spilled oil.

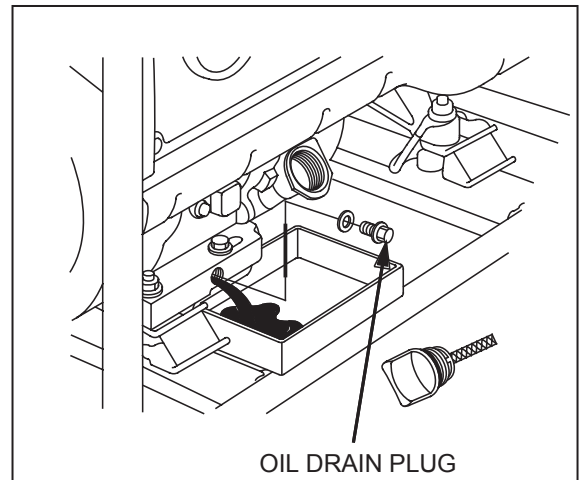
### AIR CLEANER:



**WARNING: RISK OF FIRE OR EXPLOSION. DO NOT USE GASOLINE OR LOW FLASH POINT SOLVENTS TO CLEAN THE ELEMENT. CLEAN THE ELEMENT**



(Fig. 1 Honda)



(Fig. 1 Subaru)

**IN A WELL VENTILATED AREA. ENSURE THAT NO SPARKS OR FLAMES ARE NEAR THE WORKING AREA, THIS INCLUDES ANY APPLIANCE WITH A PILOT LIGHT.**



**CAUTION: NEVER RUN THE ENGINE WITHOUT THE AIR FILTER, SERIOUS DANGER CAN RESULT.**

Check the air cleaner daily or before starting the engine. Check for and correct heavy buildup of dirt and debris along with loose or damaged components.

1. Unscrew the air cleaner cover and remove the elements.
2. Clean the element:

**PAPER AIR CLEANER ELEMENT:** Do not wash the paper element or use pressurized air, as this will damage the element. Clean by gently tapping the element to remove dust. Replace the element if damaged, bent or extremely dirty. Handle new element carefully; do not use if the sealing surfaces are bent or damaged.

**NOTE: Replace the paper element every 100 hours (more often under extremely dusty conditions.)**

3. Reinstall the paper air cleaner element. Close air cleaner cover and screw shut.

## GENERATOR MAINTENANCE

### EVAPORATIVE EMISSION COMPONENTS:

The unit you have purchased includes the following components that are in compliance with California Air Resources Board Evaporative Emission Standards;

1. Fuel Hose
2. Fuel Hose Fittings
3. Fuel Tank and Cap
4. Carbon Canister and Mounting Brackets

These components should be inspected on a daily basis for cracks, leaks, and abnormal wear. If cracking, leaks or abnormal wear has occurred, the components should be replaced immediately.

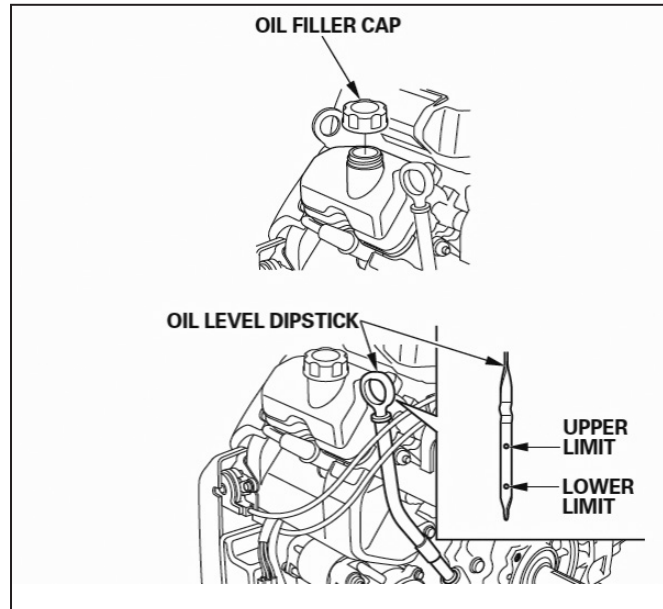
### IDLE CONTROL ADJUSTMENT:

**NOTE: The automatic idle speed is set between 2640 and 2940 RPM.**

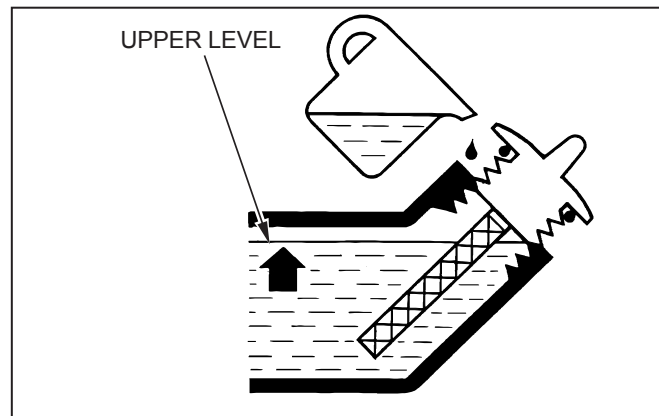
The idle speed has been pre-set at the factory and should rarely require readjustment. We recommend that all adjustments of this nature be made by a Customer Service Representative.

Erratic idle operation of the engine usually indicates a need for carburetor adjustment to provide a smooth idle. The idle control will not function properly when the idle speed is below the recommended limits or the carburetor is improperly adjusted.

**HAVE THE UNIT SERVICED BY AN AUTHORIZED CUSTOMER SERVICE REPRESENTATIVE.**



(Fig. 2 Honda)



(Fig. 2 Subaru)

**GFCI TEST RECORDS:**

As with any other safety devices, the GFCIs supplied with these generators must be checked every month to insure that they are functioning properly. To test the GFCIs, follow the instructions and then enter the date of the test below.

1. With the generator running and the idle control switch in the “START” position, push the “TEST” button. The “RESET” button should pop out. This should result in the power being off at both outlets of the duplex receptacle. Verify this by plugging a test lamp into each outlet.



**WARNING: IF THE RESET BUTTON DOES NOT POP OUT, DO NOT USE THE RECEPTACLE(S). SEE AUTHORIZED CUSTOMER SERVICE REPRESENTATIVE FOR SERVICE IMMEDIATELY.**

2. If the GFCI test correctly, restore power by FIRMLY pushing the “RESET” button back in until you hear or feel a distinctive “click”. IF THE GFCI FAILS TO RESET PROPERLY, DO NOT USE EITHER OUTLET OF THE DUPLEX RECEPTACLE. Have the unit serviced by an authorized Customer Service Representative immediately.
3. High vibration or severe mechanical shock loads may cause the GFCIs to trip. IF EITHER GFCI TRIPS BY ITSELF AT ANY TIME, reset it and perform test procedures 1 and 2.
4. Repeat steps 1-3 for the second GFCI.



**WARNING: ALTHOUGH THE ABOVE TEST PROCEDURES WILL INDICATE PROPER GFCI OPERATION ON AN UN-GROUNDED OR IMPROPERLY GROUNDED GENERATOR, THE GENERATOR MUST STILL BE GROUNDED PER THE GROUNDING INSTRUCTIONS LISTED ON PAGE 14 FOR THE GFCI TO FUNCTION PROPERLY AND PROTECT THE USER FROM ELECTRICAL FAULTS.**

Year	Jan.	Feb.	March	April	May	June	July	Aug.	Sept.	Oct.	Nov.	Dec.

**NOTE:** Situations exist where a GFCI will not afford any protection against the hazards of electrical shock.  
*EXAMPLE: if a person touches two or more conductors from a damaged cord set and is not in direct contact with the ground, he or she may receive a shock. Since there is no path to ground for a ground fault current to flow through, the GFCI will not operate and serious injury may result.*  
 The GFCI are merely an added safety feature. There are no substitutes for good safety precautions, correct electrical practices and proper maintenance of cords, equipment and connections.

## MAINTENANCE

### CLEANING AND GAPPING SPARK PLUG:

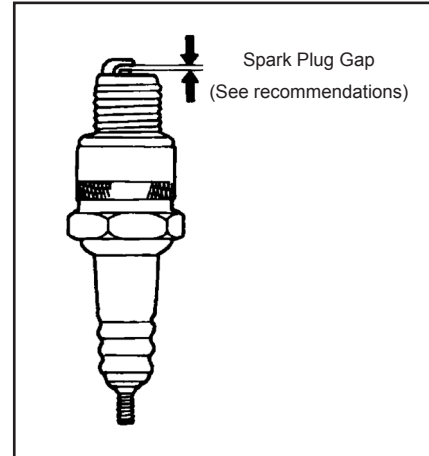
If the plug is contaminated with carbon, remove it using a plug cleaner or wire brush.

Check the spark plug gap and reset it if necessary. The spark plug gaps are listed below. To change the gap, bend the side-electrode only, using a spark plug tool. (Fig. 3)

Install and tighten the spark plug. Connect the spark plug lead.

### RECOMMENDED SPARK PLUG:

Engine	Subaru	Honda
Spark Plug	NGK BPR6ES	ZFR5F
Spark Plug Gap	0.7 - 0.8 mm (0.03 in.)	0.7 - 0.8 mm (0.03 in.)
Torque - New	8.7-10.9 ft-lb	1/2 turn to compress washer
Torque - Retighten	16.6-19.5 ft-lb	1/8 to 1/4 turn to compress washer



(Fig. 3)

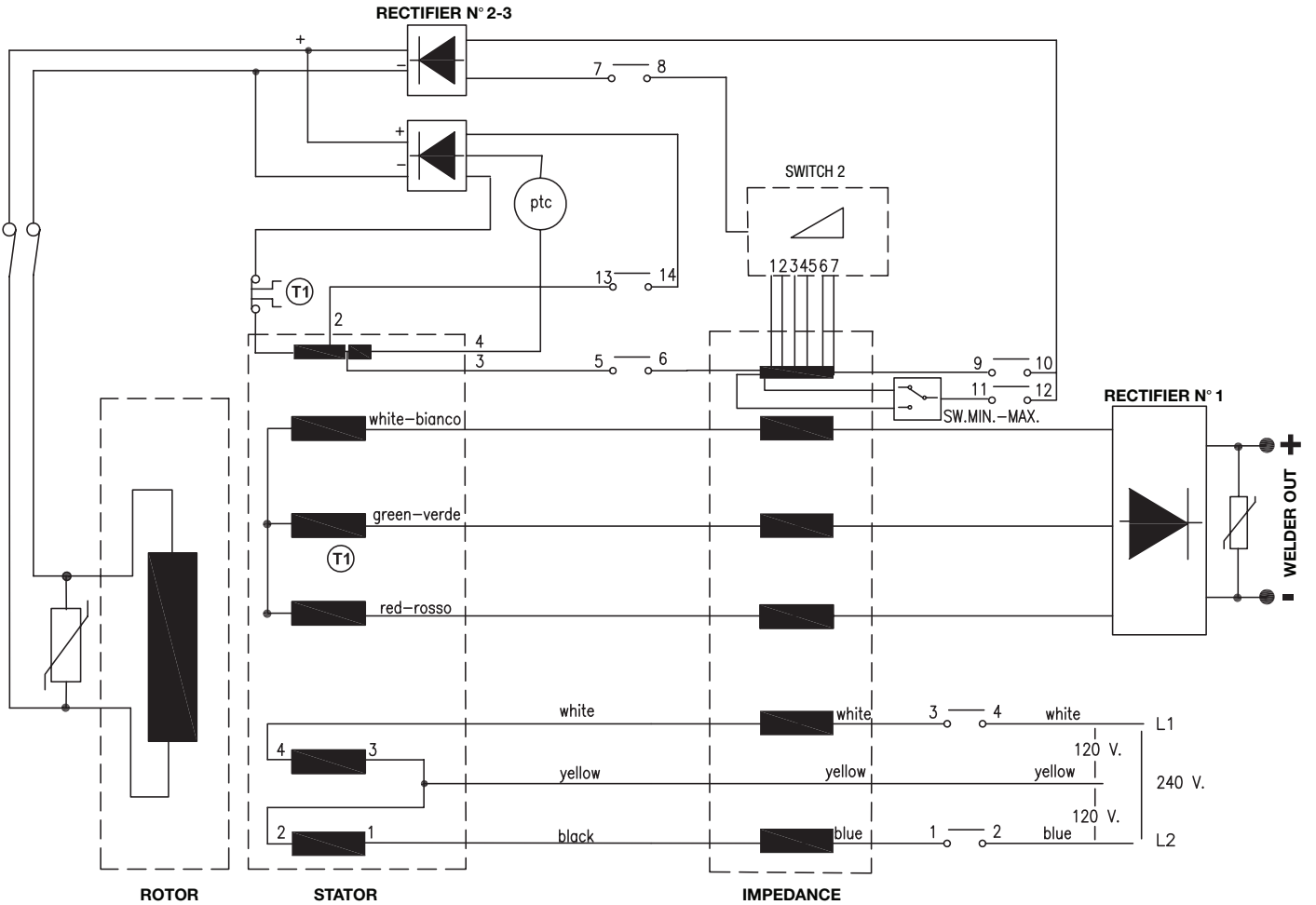
### BELT TENSION ADJUSTMENT:

To maintain peak performance of your unit, it may be necessary to adjust the belt tension on occasion. Follow the procedure outlined below:

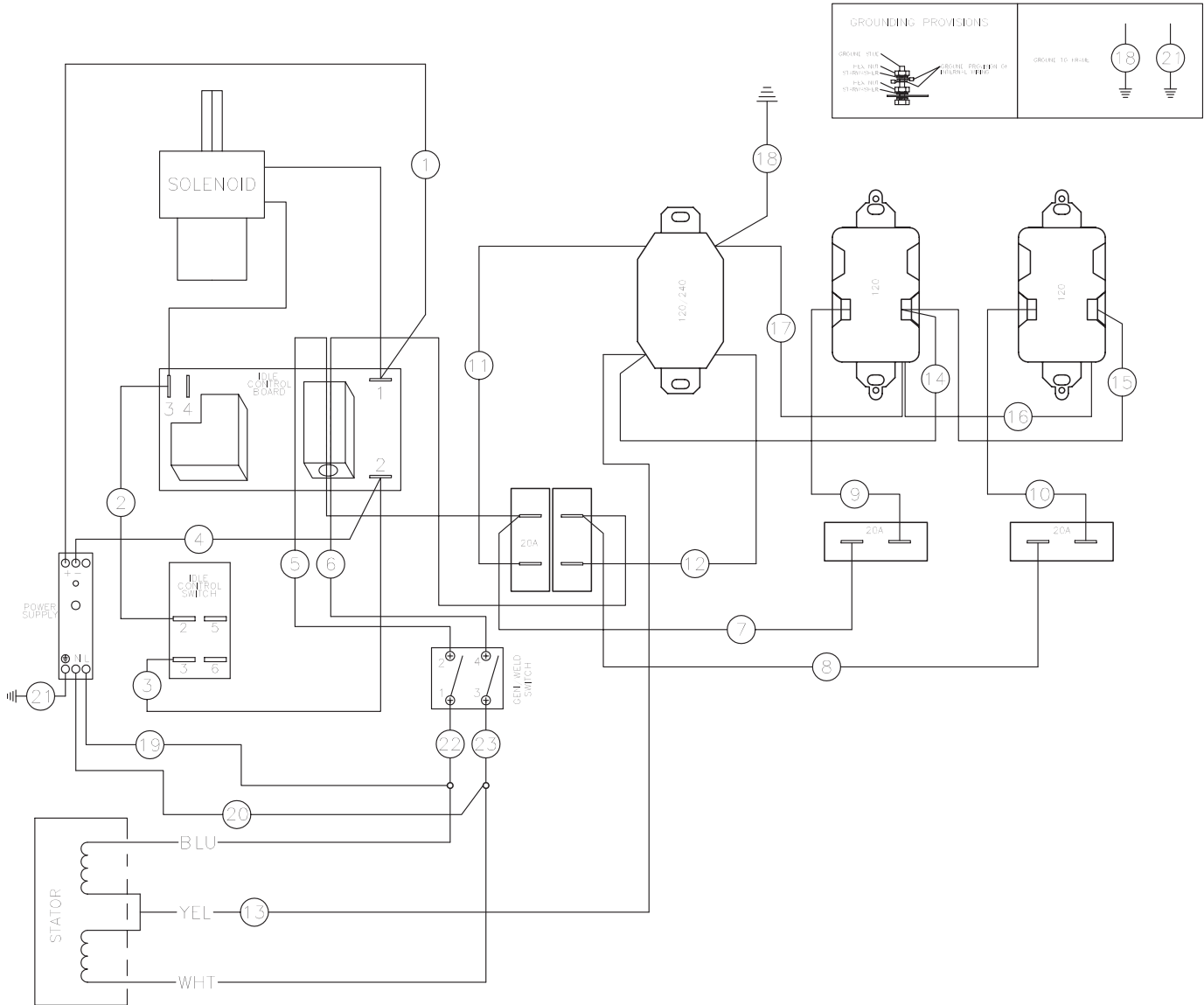
1. Remove the beltguard and loosen the two nuts on each side of the pump or engine. There are a total of 4 nuts.
2. Turn the cap screw clockwise until a 1/2 inch belt deflection is noticed between the pulleys.
3. Tighten the side nuts.
4. Put a straight edge across both pulleys. If necessary, loosen one set of pulley screws and adjust in or out to properly align. Tighten the pulley screws and check the tension again.
5. Replace the beltguard and tighten the fasteners securely.



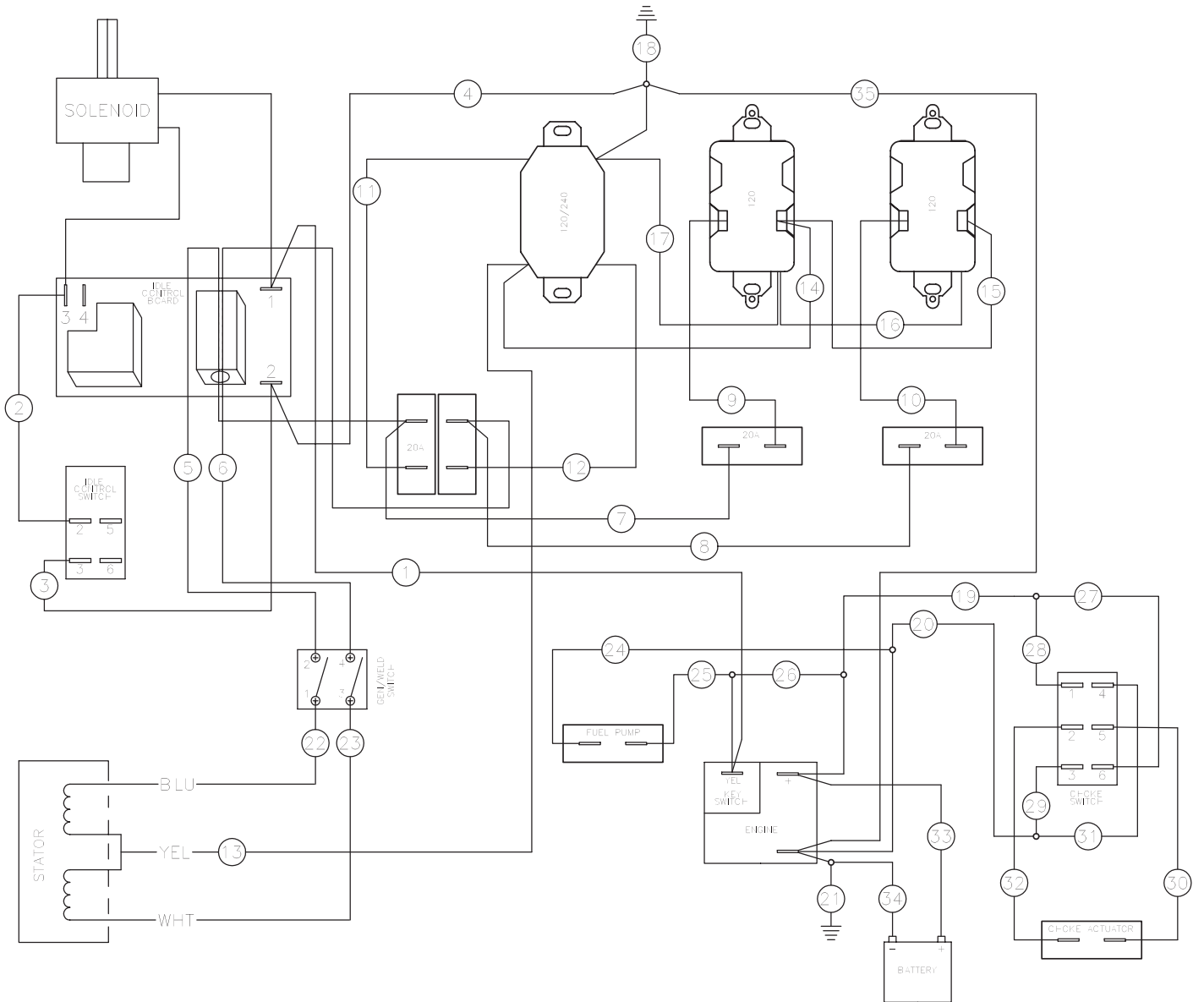
WIRING SCHEMATIC



WIRING DIAGRAM AGW-SR14-30M



WIRING DIAGRAM AGW-SH22-20M



# Storage

## STORING UNIT

### SHORT TERM (1-6 MONTHS):

1. Add gasoline conditioner & stabilizer at the specified concentration.
2. Run the unit for two (2) minutes to ensure the mixed fuel is in the entire fuel system. Close the fuel valve and run the unit until it stops.
3. Remove the spark plug, pour 1-2 teaspoons (5-10cc) of engine oil into the cylinder, slowly pull the starter handle 2 or 3 times, reinstall the spark plug and tighten securely.
4. Clean the exterior surface of the unit and apply a rust inhibitor.
5. Store the unit in a dry, well ventilated place.

### LONG TERM (MORE THAN 6 MONTHS):

1. Add gasoline conditioner & stabilizer at the specified concentration.
2. Run the unit until the fuel tank and carburetor are dry. As the engine is beginning to die, move the choke lever to the choke position.

*NOTE: Turn off the idle control to decrease the run time.*

3. Remove the spark plug, pour 1-2 teaspoons (5-10cc) of engine oil into the cylinder, slowly pull the starter handle 2 or 3 times, reinstall the spark plug and tighten securely.
4. Clean the exterior surface of the unit and apply a rust inhibitor.
5. Store the unit in a dry, well ventilated place.



**WARNING: FUEL SHOULD BE DRAINED IN A WELL VENTILATED AREA AND STORED IN A CONTAINER APPROVED FOR GASOLINE.**

# Specifications

## SPECIFICATIONS

ITEM	SPECIFICATION	
	AGW-SR14-30M	AGW-SH22-20M
	Subaru	Honda
Model .....	EX40 .....	GX690
Engine Oil .....	40.5 oz. ....	67.6 oz.
Max Watts w/o Compressor ....	5000 .....	5000
Cont. Watts w/o Compressor ..	4500 .....	4500
Cont. Watts w/ Compressor ....	@100 PSI 3000 .....	@100 PSI 4500
Cont. Watts w/ Compressor ....	@150 PSI 2500 .....	@150 PSI 4500
Rated Voltage .....	120 V .....	120 V
Frequency .....	60 Hz .....	60 Hz
Compressor Pump .....	2 stage .....	2 stage
Pump Oil .....	24.7 oz. ....	48 oz
Air Tank .....	30 gallons .....	20 gallons
Max. Pressure .....	175 PSI .....	175 PSI

## RECORD SERIAL NUMBER

Write your model number, machine serial number and date of purchase in the spaces provided below. Your dealer needs this information when ordering parts.

Model No. \_\_\_\_\_

Machine Serial No. \_\_\_\_\_

\_\_\_\_\_

Date of Purchase \_\_\_\_\_

(To be filled in by purchaser)



## STATEMENT OF WARRANTY

Mi-T-M warrants all parts, (except those referred to below), of your new unit to be free from defects in materials and workmanship during the following periods:

For Two (2) years from the date of original purchase:

Compressor Pump	Plumbing
Alternator	Tank Assembly

For Six (6) months from date of original purchase:

Pressure Switch	Regulator
Check Valve	Pilot Valve
Copper/stainless steel line	

For Ninety (90) days from the date of original purchase:

Pressure Gauges	Safety Relief Valves
Drain Valves	

Defective parts not subject to normal wear and tear will be repaired or replaced at our option during the warranty period. In any event, reimbursement is limited to the purchase price paid.

### Exclusions

1. Engine is covered under separate warranty by its respective manufacturer and is subject to the terms set forth therein.
2. Normal wear parts:

Isolators	Air Filter
-----------	------------
3. This warranty does not cover parts damaged due to normal wear, abnormal conditions, misapplication, misuse, accidents, operation at other than recommended speeds, pressures or temperature, improper storage or freight damage. Parts damaged or worn by operation in dusty environments are not warranted. Failure to follow recommended operating and maintenance procedures also voids warranty.
4. Labor charges, loss or damage resulting from improper operation, maintenance (other than routine air tank draining and oil changes, if applicable) or repairs made by persons other than a Authorized Service Center.
5. The use of other than Genuine Repair Parts will void warranty. Parts returned, prepaid to our factory or to an Authorized Service Center will be inspected and replaced free of charge if found to be defective and subject to warranty. Under no circumstances shall the manufacturer bear any responsibility for loss of use of the unit, loss of time or rental, inconvenience, commercial loss or consequential damages. There are no warranties which extend beyond the description of the face hereof.

For Service or Warranty Consideration, contact  
Mi-T-M® Corporation, 50 Mi-T-M Drive, Peosta, IA 52068  
563-556-7484 / 800-553-9053 / Fax 563-556-1235  
Monday - Friday 8:00 a.m. - 5:00 p.m. CST

## **CALIFORNIA EMISSIONS CONTROL WARRANTY STATEMENT YOUR WARRANTY RIGHTS AND OBLIGATIONS**

The California Air Resources Board and Mi-T-M are pleased to explain the emission control system warranty on your 2016 small off-road engine/equipment (SORE). In California, new SOREs must be designed, built and equipped to meet the State's stringent anti-smog standards. Mi-T-M must warrant the evaporative emissions control system (EECS) on your SOREs for the periods of time listed below provided there has been no abuse, neglect or improper maintenance of your SOREs.

Your EECS may include parts such as the carburetor, fuel-injection system, the ignition system, catalytic converter, fuel tanks, fuel lines, fuel caps, valves, canisters, filters, vapor hoses, clamps, connectors, belts and other associated emission-related components. Where a warrantable condition exist, Mi-T-M will repair your small off-road engine at no cost to you including diagnosis, parts and labor.

### **MANUFACTURER'S WARRANTY COVERAGE:**

This EECS is warranted for two years. If any evaporative emissions-related part on your small off-road engine/equipment is defective, the part will be repaired or replaced by Mi-T-M.

### **OWNER'S WARRANTY RESPONSIBILITIES:**

-As the SORE owner, you are responsible for performance of the required maintenance listed in your owner's manual. Mi-T-M recommends that you retain all receipts covering maintenance on your SORE , but Mi-T-M cannot deny warranty solely for the lack of receipts.

-As the SORE owner, you should however be aware that Mi-T-M may deny you warranty coverage if your SORE or a part has failed due to abuse, neglect, or improper maintenance or unapproved modifications.

-You are responsible for presenting your SORE to distribution center or service center authorized by Mi-T-M Corporation, 50 Mi-T-M Drive, Peosta, IA 52068 (herein Mi-T-M) as soon as the problem exists. The warranty repairs should be completed in a reasonable amount of time, not to exceed 30 days.

If you have a question regarding your warranty coverage, you should contact Mi-T-M Customer Service Department at 1-800-553-9053 or by emailing us at corp@mitm.com.

## **GENERAL EMISSIONS WARRANTY COVERAGE - CALIFORNIA ONLY -**

Mi-T-M warrants to the ultimate purchaser and each subsequent purchaser that the SORE (1) has been designed, built and equipped so as to conform with all applicable regulations; and (2) is free from defects in materials and workmanship that cause the failure of a warranted part to conform with those regulations as may be applicable to the terms and conditions stated below.

- (a) The warranty period begins on the date the engine is delivered to an ultimate purchaser or first placed into service. The warranty period is two years.
- (b) Subject to certain conditions and exclusions as stated below, the warranty on emissions related parts is as follows:
  - (1) Any warranted part that is not scheduled for replacement as required maintenance in your owner's manual is warranted for the warranty period stated above. If the part fails during the period of warranty coverage, the part will be repaired or replaced by Mi-T-M according to subsection (4) below. Any such part repaired or replaced under warranty will be warranted for the remainder of the period.
  - (2) Any warranted part that is scheduled only for regular inspection in your owner's manual is warranted for the warranty period stated above. Any such part repaired or replaced under warranty will be warranted for the remaining warranty period.
  - (3) Any warranted part that is scheduled for replacement as required maintenance in your owner's manual is warranted for the period of time before the first scheduled replacement date for that part. If the part fails before the first scheduled replacement, the part will be repaired or replaced by Mi-T-M according to subsection (4) below. Any such part repaired or replaced under warranty will be warranted for the remainder of the period prior to the first scheduled replacement point for the part.
  - (4) Repair or replacement of any warranted part under the warranty provisions herein must be performed at a warranty station at no charge to the owner.
  - (5) Notwithstanding the provisions herein, warranty services or repair will be provided at all of our distribution centers that are franchised to service the subject engines.
  - (6) The owner must not be charged for diagnostic labor that leads to the determination that a warranted part is in fact defective, provided that such diagnostic work is performed at a warranty station.
  - (7) Mi-T-M is liable for damages to other engine components proximity caused by a failure under warranty of any warranted part.
  - (8) Throughout the engine warranty period stated above, Mi-T-M will maintain a supply of warranted parts sufficient to meet the expected demand for such parts.

(9) Any replacement part may be used in the performance of any warranty maintenance or repairs and must be provided without charge to the owner. Such use will not reduce the warranty obligations of Mi-T-M.

(10) Add-on or modified parts that are not exempted by the Air Resources Board may not be used. The use of any non-exempted add-on or modified parts by the ultimate purchaser will be grounds for disallowing a warranty claims. Mi-T-M will not be liable to warrant failures of warranted parts caused by the use of a non-exempted add-on or modified part.

(c) WARRANTED PARTS:

The repair or replacement of any warranted part otherwise eligible for warranty coverage may be excluded from such warranty coverage if Mi-T-M demonstrates that the engine has been abused, neglected, or improperly maintained, and that such abuse, neglect, or improper maintenance was the direct cause of the need for repair or replacement of the part. That notwithstanding, any adjustment of a component that has a factory installed, and properly operating, adjustment limiting device is still eligible for warranty coverage. The following emissions warranty parts list are covered.

(1) Fuel Metering System

- (A) Carburetor and internal parts (and/or pressure regulator or fuel injection system).
- (B) Air/fuel ratio feedback and control system, if applicable.
- (C) Cold start enrichment system, if applicable.
- (D) Regulator assy (gaseous fuel, if applicable)

(2) Air Induction System

- (A) Intake manifold, if applicable
- (B) Air filter.
- (C) Controlled hot air intake system.

(3) Ignition System

- (A) Spark plugs.
- (B) Magneto or electronic ignition system.
- (C) Spark advance/retard system, if applicable.

(4) Exhaust manifold, if applicable

(5) Evaporation System

- (A) Fuel line
- (B) Fuel line fittings
- (C) Fuel Tank and Cap
- (D) Carbon Canisters and Mounting Brackets

(6) Exhaust Gas Recirculation (EGR) System

- (A) EGR valve body, and carburetor spacer if applicable.
- (B) EGR rate feedback and control system.

(7) Air Injection System

- (A) Air pump or pulse valve.
- (B) Valves affecting distribution of flow.
- (C) Distribution manifold.

(8) Catalyst or Thermal Reactor System

- (A) Catalytic converter.
- (B) Thermal reactor.
- (C) Exhaust manifold.

(9) Particulate Controls

- (A) Traps, filters, precipitators, and any other device used to capture particulate emissions.

(10) Miscellaneous Items Used in Above Systems

- (A) Electronic controls.
- (B) Vacuum, temperature, and time sensitive valves and switches.
- (C) Hoses, belts, connectors, and assemblies.



# Introducción

Gracias por comprar este Mi-T-M producto.

Lea este manual con cuidado para aprender como operar y heacerie servicao su máquina correcto. Falla resultaría en lesiones personales o daño a equipo.

Este manual debe considerar una parte permanente de su máquina y debe quedar con máquina cuando venderla.

Medidas en este manual se dan en sistema métrico y en equivalentes de unidades de Estado Unidos. Use sólo partes y cierres de reemplazar correctos. Cierres métricos y pulgadas necesitarian un tirón especial de métrico o pulgada.

Lados de mano derecha y mano izquierda se determinan de que da al fin de máquina.

El número de serie está situada en sección de especificaciones o números de identificación. Escriba correcta todos números para ayndaría en encontrar la máquina si sea robado. Su concesionario también necesite estos números cuando ordenaría partes. Ponga números de identificación en lugar seguro atuera de máquina.

Garantía provece de concesionario Mi-T-M para quien opere y mantenga su equipo como descrito en este manual. Este manual está explicado en certificado de garantía que se vea en este manual.

Esta garantía provece la seguridad que su concesionario Mi-T-M daría garantía de productos donde defectos aparecen durante tiempo de garantía. Debe abusar al equipo o cambios para modificar la función atrás de especificaciones de fabrica la garantía será vació.

## **WARNING**

**ADVERTENCIA:** Este producto tiene plomo, una sustancia química conocida al Estado de California a causar cáncer y defectos de nacimiento u otro daño reproductivo.

*Lávese las manos despues de usar este producto.*

## **ADVERTENCIA**

**Los gases del motor del este producto contiene química conocido por el estado de California a causar cancer, defectos de nacimiento, y otros peligros reproductor.**

## **ADVERTENCIA**

Este producto contiene química conocido por el estado de California a causar cancer, defectos de nacimiento, y otros peligros reproductor.

# Materias

	Página
Seguridad .....	43
Mandos .....	53-54
Instalación .....	55
Operación .....	60
Localización de fallas .....	65
Mantenimiento .....	67
Almacenamiento .....	75
Especificaciones .....	76
Garantía .....	77

*Toda información, ilustraciones, y especificaciones en este manual se basa en información lo último que disponible al tiempo de publicación. Se reserva el dercho de efectuar cambios sin previo aviso.*

# Seguridad

## RECONOZCA INFORMACIÓN DE SEGURIDAD

Este es el símbolo de alerta de seguridad. Cuando mire este símbolo en la máquina o manual, sea alerta de posibilidad o potencia de graves personales.

Siga precauciones recomendables y prácticas de operación.



## COMPRENDA PALABRAS DE ALERTAS

Una palabra de alerta -- Peligro, Advertencia, Precaución -- se usa con el símbolo de alerta de seguridad. Peligro indica la situación más seria.

Señales de seguridad como PELIGRO y ADVERTENCIA está situada cerca de riesgos específicos. Precauciones generales están en una lista en las señales de seguridad precaución a mensajes de seguridad en este manual.

 **PELIGRO**

 **ADVERTENCIA**

 **PRECAUCION**

## SIGA LAS INSTRUCCIONES DE SEGURIDAD

Lea con cuidado todos mensajes de seguridad en este manual y en las señales de seguridad en máquina. Mantengase señales de seguridad en condición bueno. Reemplace desaparecidos o señales de seguridad con daño. Asegurese que componentes nuevos de equipo y partes de reparación incluir las señales de seguridad último. Señales de seguridad para reemplace son disponibles de su concesario.

Aprenda como operar la máquina y como usar los mandos correcta. No permita nadie para operar sin instrucciones.

Mantengase la máquina en condición corecta para trabajar. Modificaciones con no autorizado a la máquina pueden afectar la función y/o seguridad y afecta la vida de máquina.

Si usted no entiende cualquier parte de este manual y no necesita ayuda, entre en contacto con a su distribuidor.





## MONÓXIDO DE CARBONO- GAS VENENOSO

Use unidad en aire libre, afuera de ventanas abiertas, tiros, o puertas.

Exhausto de unidad contiene monóxido de carbono- un gas venenoso que puede matarle. No puede oler o ver este gas.

Nunca use unidad en espacios cerrados o parcialmente cerrados. Unidades puede producir nevelas altas de monóxido de carbono muy rápido. Cuando use un unidad portable, recuerde que no puede oler o ver monóxido de carbono. Aunque si no pueda oler gases de exhausto, puede exponerle a monóxido de carbono.

Si empieza sentir enfermo, mareo, o débil cuando usando unidad, vaya adentro PRONTO. NO RETRASE. Monóxido de carbono de generadores puede llevar rápidamente a todo incapacitado y muerte.

Si tenga síntomas serias, tenga atención medica inmediatamente . Diga empleados medicos que sospechar de venenoso de monóxido de carbono. Si tenga síntomas mientras adentro diga alguien llamar el departamento de fuegos para determinar cuando seguro para entrar otra vez el edificio.

NUNCA opere unidad en atmósfera explosivo, cerca materias combustibles o donde ventilación no es suficiente para llevar gases de exhausto afuera. Gases de exhausto puede causar lesiones graves o muerte.

NUNCA use unidad adentro, incluyendo en casas, garajes, sótanos, espacios pequeños, y otras áreas cerradas o parcialmente cerradas, aunque con ventilación. Abriendo puertas y ventanas o usando ventiladores no prevenir acumulación de monóxido de carbono en casas.

Siga las instrucciones que viene con su unidad. Encuentre unidad de aire libre y afuera de puertas, ventanas, y tiros que puede permitir gas de monóxido de carbono para entrar adentro.

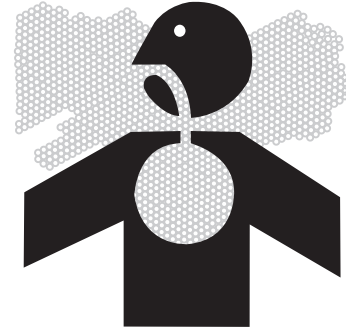
Funcione SOLAMENTE el unidad al aire libre y lejos de tomas de aire.

NUNCA funcione el unidad dentro de hogares, de garages, de vertientes, o de otros espacios semi-enclosed. Estos espacios pueden atrapar los gases venenosos INCLUSO SI usted funciona un ventilador o abre puertas y ventanas.

Si usted comienza a sentirse enfermo, mareado, o débil mientras que usa el unidad, cerró si apagado y consigue el aire fresco ENSEGUIDA. Vea a doctor. Usted puede tener envenenamiento de monóxido de carbono.

Instale alarmas de monóxido de carbono que operados de bateria o alarmas de monóxido de carbono enchufadas con seguridad de batería en su casa según las instrucciones de instalación de fabricante. Las alarmas de monóxido de carbono deben tener certificación de requisitos de calidades de seguridad últimos para alarmas de monóxido de carbono. (UL 2034, IAS 6-96 o CSA 6.19.01).

Examine su alarma de monóxido de carbono frecuentemente y reemplace baterías muertas.



<b>⚠ DANGER</b>	<b>⚠ DANGER</b>	<b>⚠ PELIGRO</b>
Using a generator indoors WILL KILL YOU IN MINUTES. Exhaust contains carbon monoxide, a poison gas you cannot see or smell.	L'utilisation d'un groupe électrogène à l'intérieur entraînera une MORT SUBITE. Le gaz d'échappement contient de l'oxyde de carbone, un gaz toxique, invisible et inodore.	Utilizando un generador adentro LE MATARÁ EN MINUTOS. El escape contiene monóxido de carbono, un gas tóxico usted no puede ver ni puede oler.
 NEVER use in the home or in partly enclosed areas such as garages.	 ONLY use outdoors and far from open windows, doors, and vents.	 Nunca utilice en el hogar ni en áreas de parte encerradas como garajes.
	Ne JAMAIS utiliser dans une maison ou dans des espaces partiellement fermés tels que des garages. N'utiliser qu'à l'extérieur et loin de fenêtres ouvertes, portes, et conduits d'aération.	SOLO uso afuera y lejos de ventanas abiertas, las puertas, y descargas.



## INSTRUCCIONES DE SEGURIDAD DE LLENDADO DE COMBUSTIBLE

Un resultado de abastecer de combustible incorrecto es lesiones graves y la muerte. No fumar cuando llenar el tanque de motor con combustible (fuel).

Siempre reabastecer de fuel despacio para evitar derrames que puede causar riesgo de fuego.

Gasolina es flamable extremo y sus vapores pueden explotar si inflamarse.

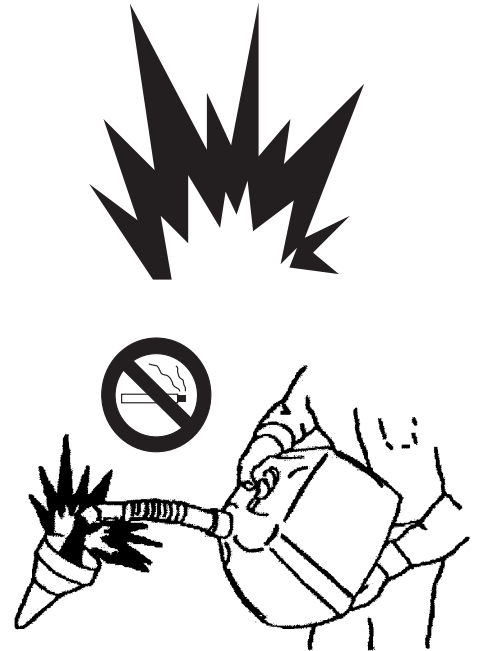
Observe todas regulaciones de seguridad para manejando seguro de combustible. Maneje combustible en envases de seguridad. Si envase no tiene pico, use un embudo.

No sobrellene el tanque de combustible, mantenga espacio para expansión de combustible.

Llene el tanque solamente en una área de tierra pelada. Mientras llenando el tanque, mantenga calor, chispas, y llamas abiertas afuera. Con cuidado limpie todo combustible derramado antes de empezando el motor.

Siempre llene tanque de combustible en una área con mucha ventilación para evite inhalando gases peligrosos.

NUNCA mantenga combustible para su generador e la casa. Gasolina, propano, kerosene, y otros líquidos inflamables deben mantener afuera de áreas de vivienda en envases seguros sin vidrio y calificados correctos. No los mantenga cerca de aparato de ardiente de combustible como calentador de gas natural en un garaje. Si combustible derrame o envase no cerrado correcto, vapores invisibles de lata de combustible viaja adelante de la tierra y pueden inflamarse del piloto de aparato o de arcos de interruptores eléctricos en aparato.





## RIESGOS DE ELECTRICOS

Este producto tiene que tener la toma a tierra. Si lo debe fallar o funcionar mal la toma a tierra proveer un camino de resistencia mínima para corriente eléctrica para reducir el riesgo de descarga eléctrica. No tocar las partes eléctricas.



**PELIGRO - CONECCIÓN INCORRECTA DE EQUIPO - CONDUCTOR DE TIERRA PUEDE RESULTAR EN RIESGO DE ELECTROCUCIÓN. HABLE CON UN ELECTRICISTA CALIFICADO O REPRESENTANTE DE SERVICIO SI TENGA DUDA SOBRE QUE LA UNIDAD TIENE LA TOMA A TIERRA CORRECTA.**

Este unidad tiene una terminal de tierra para su protección. Siempre completar el camino de tierra del unidad a un fuente de tierra exterior como enseñar en la sección se llama "Instrucciones de Instalación" en la sección de Preparación en este manual.

El unidad es un fuente potencial de descarga de eléctrico si no mantenga seco. Mantenga el unidad seco y no use en lluvia o condiciones mojados. Para porteger de humedad, opere en superficie seco abajo de una estructura abierta y como un dosel. Seque sus manos si mojados antes de tocando el unidad.

Tape aparatos directamente entre el unidad. O, use extensión muy resistente que tiene indice de aire libre y tiene indice (en vatios o amperios) por lo menos igual a la suma de las cargas de aparatos conectadas. Revise que todo cordón sea libre de cortos, roturas, y que la tapa tiene todos los tres dientes, especialmente un perno de tierra

NUNCA trate dar potencia a instalación de casa como tapando el unidad entre un tomacorriente del muro, una práctica se llama "alimentando atraso." Esta práctica es muy peligroso que presentar un riesgo de electrocución a trabajadores de utilidad y algunos vecinos que tienen servicio del mismo transformador de utilidad. Esta también circunvala aglunos aparatos de protección de circuito que son empotrados en la casa.

Si tiene que conectar el unidad a la instalación de casa a aparatos de potencia, tiene un electricista calificado instala el equipo apropiado de acuerdo con códigos de eléctrico locales. O revise con su compañía de utilidad para preguntar sobre instalación de un interruptor apropiado de tranferir de potencia.

Para apagados de potencia, unidades estacionarios que instalados permanente son mejores para manteniendo potencia respalda a la casa. Hasta un unidad portable que conecte correcto puede sobrecargar. Este puede resultar en recalentando o recalcando los componentes de unidad, con la posibilidad de empezar a falla del unidad.

No use cables de soldar gastados, dañados, de tamaño insuficiente, o mal empalmados. No cubra cables de soldar sobre su cuerpo. No toque el electrodo si usted está en contacto con el trabajo, tierra, u otro electrodo de una máquina diferente.



## RIESGO DE EXPLOSIÓN

O fuego chipas normales de sistema de encendido del motor o de exhosto de motor/mofle puede causar lesiones graves y la muerte. Siempre funcionar el compresor de aire en ambientes de bien ventilados sin vapores flamables, polvos combusible, gases, o toras materiales combustibles. No solde donde la atmósfera puede contener polvo inflamable, gas, o vapores líquidos (como la gasolina).

No fumar si pulverizando materiales flamables. Poner el compresor de aire más de 20 pisos de ambiente de pulverizar. (Puede necesitar un otro tubo.)

Nunca llenar el tanque del motor con fuel cuando motor es calor o funcionamiento. Permitir el motor 2 (dos) minutos para enfriarse antes de más fuel. No dar más fuel adentro o en ambientes con mal ventilados.

No funcionar el unito si hay derrames de gasolina. Limpiar el compresor de aire y mover afuera de derrame. Evitar encendido o funcionar hasta gasolina ha evaporar.

No guardar el compresor de aire cerca de fuegos o máquinas como una estufa, horno, calentador de agua, etc. cual utilizar una luz piloto o dispositivo de chispas.

Necesitar tener arrestador de chispas en el moefle de este motor para usar con algo tierra que tener hierba o arboles. Esta parte mantener efectuar por operador.

Abiertas limitados de ventilación de compresor de aire puded causar lesiones graves. Necesitar ventilación para evitar excesivo calor y empieza del fuego. No poner objetos cerca o arriba de compresor de aire. Funcionar compresor de aire más de 12 pulgudos afuera de pared o obstrucción que limitar ventilación apropiado.

Soldando en envases cerrados, como tanques, los tambores, o los tubos, pueden hacer que ellos exploten. El contacto accidental del electrodo a objetos metálicos puede causar chispas, explosión, sobrecalentamiento, o fuego.

Quite todos los objetos flamables dentro de 35 pies (10.7 m) del arco de soldar. No solde donde las chispas volantes pueden golpear el material flamable. Mire para el fuego, y guarda un extintor cerca.

Después de la finalización del trabajo, inspeccione el área para asegurar que es sin chispas, ascuas encendidos, y llamas. Quite el electrodo del tenedor cuando no en el uso..



## RIESGO DE ESTALLIDO

Si no se respeta el mantenimiento adecuado el depósito de aire podría estallar y causar lesiones graves o la muerte. Vaciar el depósito de aire todos los días o al final de cada uso, para evitar que se acumule la condensación.

Si el depósito de aire tiene una fuga, sustituirlo inmediatamente. No reparar, soldar o modificar jamás el depósito de aire o sus accesorios. Usar sólo piezas originales para el compresor de aire. No modificar jamás las presiones ajustadas en al fábrica.

El funcionamiento incorrecto del compresor o, en el caso en que se empleen componentes o accesorios inadecuados, el estallido de sus accesorios podría causar lesiones graves o la muerte. No superar jamás las presiones máximas permitidas de los accesorios, recomendadas por el fabricante.

Debido al excesivo calor, no usar tubos de plástico o uniones con soldaduras de plomo en la línea de descarga.

No usar jamás un compresor de aire para inflar objetos pequeños o que requieren poca presión como los juguetes.





## RIESGOS A LA RESPIRACIÓN

La inhalación de aire comprimido puede causar lesiones graves e incluso la muerte. El chorro de aire podría contener monóxido de carbono, vapores tóxicos o partículas sólidas. No inhalar jamás el aire procedente del compresor de aire ni a través de cualquier dispositivo de respiración conectado al compresor de aire.

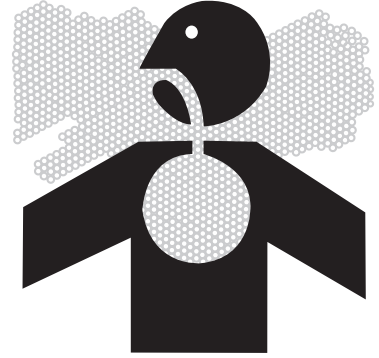
La inhalación de gases de motor puede causar lesiones graves y la muerte. Este compresor de aire se diseñó para funcionar en aire libre. Nunca funcionar este compresor de aire en ambientes cerrados, siempre tener ventilación adecuada. Esto prevendrá la acumulación de gases peligrosos que contienen monóxido de carbono. Tener cuidado de ambientes de mal ventilados.

Materiales pulverizados como pinturas, solventes para pinturas, desbarnizadores, insecticidas, herbicidas, etc. contienen vapores dañinos y venenos. El compresor de aire debe funcionar sólo en ambientes bien ventilados. Atenerse a las instrucciones de seguridad indicadas para los materiales que se pulverizan. Al pulverizar ciertos materiales podría ser necesario usar un respirador.

La soldadura produce humo y gases. La respiración de estos vapores y gases puede ser arriesgada a su salud. Guarde su cabeza de los vapores. No respire los vapores.

No solde en áreas cerca de desengrasar, limpiar, o operaciones de rociar. El calor y los rayos del arco pueden reaccionar con vapores para formar gases muy tóxicos e irritantes.

No solde en metales cubiertos, como galvanizado, de plomo, o el acero de cadmio plateado, a menos que la capa sea quitada del área de soldar, el área es bien ventilada, y mientras llevando un respirador suministrado por aire. Las capas y cualquier metal que contiene estos elementos pueden emitir vapores tóxicos si son soldados.



## RIESGO DE QUEMADURAS

El tocar partes metálicas expuestas podría causar lesiones graves. La temperatura en estas zonas no baja inmediatamente al apagar el compresor de aire. Asegurarse que ninguna parte del cuerpo o de otros materiales entre en contacto con las partes metálicas expuestas del compresor de aire.

Nunca tener contacto de su cuerpo y el motor, cabeza del compresor o ambientes adyacentes.







## RIESGO DE OBJETOS VOLANTES

El chorro de aire comprimido podría causar lesiones a los tejidos blandos. Usar siempre las gafas de protección para proteger los ojos de las partículas volantes. No dirigir jamás el chorro de aire a cualquier parte de su cuerpo o del cuerpo de otra persona o animal.

No dejar jamás un compresor de aire bajo presión sin vigilancia. Apagar el compresor y descargar la presión antes de efectuar cualquier operación de mantenimiento, conectar cualquier herramienta o accesorio.

La proyección de partículas del chorro de aire comprimido a velocidad elevada puede causar lesiones graves. Con el compresor de aire en marcha mantener siempre una distancia de seguridad de personas y animales.

No debe moverse el compresor de aire cuando el depósito de aire está bajo presión. No intentar mover el compresor de aire tirando del tubo.



## RIESGO DE PARTES EN MOVIMIENTO

Riesgo de lesiones graves de partes en movimiento. Antes de hacer mantenimiento siempre parar el compresor de aire. Purgar presión de tubo de aire y desmontar el cable de bomba de chispa para impedir el encendido de motor. Todas reparaciones hacer de personas autorizadas de servicio.

No usar el compresor de aire sin las protecciones de seguridad. Siempre remova el enchufe del compresor del aire antes de remover cualquier guarda. Sustituir las protecciones dañadas antes de encender le compresor de aire.



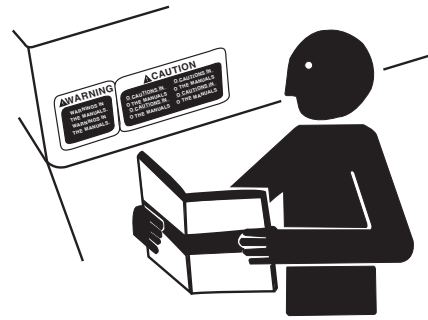


## ADVERTENCIAS IMPORTANTES DE SEGURIDAD

ADVERTENCIA: Para reducir el riesgo de lesiones, lea este manual de operador completamente. Cuando usando este producto, seguir siempre las precauciones básicas consiguientes:

1. Riesgo de negligencia: Un uso negligente del compresor puede ocasionar lesiones. No permitir jamás que niños o adolescentes pongan en marcha el compresor de aire. Prestar mucha atención a la operación que se está cumpliendo. No se debe poner en marcha el compresor de aire en caso de cansancio o bajo la influencia de alcohol o drogas. Es necesario saber apagar el compresor de aire. Es preciso conocer bien todos los mandos.
2. Riesgo de averías del compresor de aire: Riesgo de graves averías. No encender el compresor de aire sin el filtro de aire. No encender el compresor de aire en un ambiente corrosivo. El compresor de aire debe funcionar en una posición estable y segura para prevenir que caiga. Atenerse a las instrucciones de mantenimiento descritas en este manual. El uso excesivo puede causar el sobrecalentamiento; permita un período de refrescar; siga el ciclo de deber tasado. Reduzca corriente o reduzca el ciclo de deber antes de comenzar a soldar otra vez. No bloquee o filtre el corriente de aire a la unidad.
3. Cuando empezando el unidad usando la empuñada de arranque de retroceso asegúrese que nada está en posición para tocar de mano o brazo de operador. Asegúrese que interruptor en herramientas Eléctricas está en posición de "OFF" antes de los tapando entre unidad.
4. No opere el unidad o alga herramienta eléctrica en área donde agua o materiales similares constituir un riesgo eléctrico a operador. No opere en superficies mojados, en lluvia o nieve.
5. Siempre asegúrese que unidad está en equilibrio seguro para no puede resbalar o mover, poniendo los trabajadores en posiciones peligrosos.
6. Evite tocando el colector de exhausto calor, moefle, o cilandros.
7. Quede afuera de todas partes moviendo.
8. A menos que el herramienta o aparato es insultado doble, lo tiene que tomoar a tierra por recipiente que conectar a tierra correcto. Herramientos y aparatos que tienen 3 tapones de dientes tienen que tapar entre extensiones y recipientes eléctricos con 3 agujeros. Antes de operando algo artículo eléctrico, asegúrese que estar en arreglo bueno.
9. Ten cuidado de usando este equipo en espacios limitados. Espacios limitados, sin ventilación insuficiente de aire fresco, pueden contener gases peligrosos. Operando motores de gasolina en estos medios ambientes puede empezar explosiones y / o asfixia.
10. Use caución extremo o cuando levantando este unidad. Este unidad es muy pesado entonces debe usar técnicas correctas de levantando.

**¡GUARDE ESTAS INSTRUCCIONES!**





## USE ROPA PROTECTORA

Use ropa medida cerca y equipo de seguridad apropiado al trabajo. Lleve guantes de aislamiento secos y sin agujero y protección de cuerpo.

Use devise protector de oído como orejeras o tapón para el oído para proteger en contra de ruidos inaceptables y altos.

Operando equipo de seguridad necesita toda atención de operador. No use auriculares de radio o música mientras operando máquina.

Los rayos de arco del proceso de soldar producen intenso visible e invisible (ultravioleta e infrarrojo) rayos que pueden quemar ojos y piel. Las chispas se van volando de soldar. Los RAYOS DE ARCO pueden quemar ojos y piel. Lleve un casco de soldar aprobado encajado con una sombra apropiada de lentes con filtro para proteger su cara y ojos mientras soldando o mirando. Lleve las gafas de seguridad aprobadas con escudos de lado bajo su casco.

Use pantallas protectoras o barreras para proteger a otros de destello, luz deslumbrante y chispas; advierta a otros de no mirar el arco. Lleve la ropa protectora hecha de materia duradero y resistente de llama y también lleve la protección de pie.

Soldando, astillando, cepillando de alambre, y moliendo causa chispas y metal volante. Mientras soldadura enfríe, ellos pueden tirar la escoria. Lleve las gafas de seguridad aprobadas con escudos de lado bajo su casco de soldar.

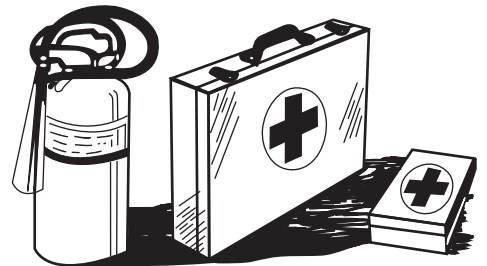


## PREPARE PARA EMERGENCIAS

Mantenga primeros auxilios y extinguidor cerca.

Mantenga números de emergencia para doctores, servicio de ambulancia, hospital, y departamento de fuego cerca de telefono.

Sea preparado si un fuego empiece.



## INSPECCIONES UNIDAD

Asegúrese que todas tapas, guardias, y escudos son ajustados y en posición.

Encuentre todos controles operando y etiquetas de seguridad.

Inspeccione cordón eléctrico para daño antes de usando.

Hay un riesgo de electrocución de aplastante, cortando, o daño de calor.

## SERVICIO CON CIUDADO UNIDAD

Apague la unidad, desconéctela de la red eléctrica, y permita que la unidad se enfríe antes de repararla.

Preste servicio en un área limpie, seca y planca. Embrague el freno para evitar el movimiento de la unidad.



# SEÑALES DE SEGURIDAD

## MAINTENANCE INSTRUCTIONS

REFER TO INSTRUCTION MANUAL FOR DETAILED INSTRUCTIONS. If unit is operated in an excessively dirty or dusty area, increase the frequency of all checks.

- Daily:
- Check for proper oil level(s) and oil leaks.
  - Check engine air filter, (if applicable)
  - Drain moisture from tank(s) daily or after each use.
  - Ensure all safety guards are correctly & securely attached.
- Weekly:
- Clean the cooling surfaces of the compressor.
  - Inspect air intake filter.
  - Check safety valves by pulling on rings.
- Monthly:
- Check system for air leaks.
  - Check belt tension.
- Every 200 hours:
- Change pump oil.
  - Replace air filter.

REFER TO ENGINE MANUAL FOR RECOMMENDED ENGINE MAINTENANCE.

## INSTRUCCIONES DE MANTENIMIENTO

LEA LAS INSTRUCCIONES PARA INSTRUCCIONES PARTICULARES. Si la unidad está usado en un lugar bien sucio o de polvo, haga la frecuencia de los exámenes más.

- Cada día:
- Inspeccione para el nivel de aceite y vias de aceite.
  - Inspeccione el filtro de aire (si hay).
  - Drene la humedad de los tanques cada día o después de usar.
  - Asegúrese que las guardas de seguridad son acompañados seguridadamente y correctamente.
- Cada semana:
- Limpie las superficies enfriar del compresor.
  - Inspeccione el filtro del aire.
  - Inspeccione las válvulas con tirando los anillos.
- Cada mes:
- Inspeccione la sistema para vias.
  - Inspeccione la tensión de la correa.
- Cada doscientos horas:
- Cambie el aceite de la bomba.
  - Reemplace filtro del aire.

LEA USANDO EL MANUAL DEL MOTOR PARA EL MANTENIMIENTO RECOMENDADO DEL MOTOR. 34-1285-ES-091904-ENG.

34-1285

**WARNING** **ADVERTENCIA**

RISK OF BURNS  
MUFFLER AND ADJACENT AREAS MAY EXCEED 150°F.

RIESGO DE QUEMAR  
EL AMORTIGUADOR Y LAS AREAS ADYACENTES PUEDEN TENER TEMPERATURAS POR ARRIBA DE 150°F.

34-0598-010699-ES-ENG.

34-0598

**CAUTION/PRECAUCION**

RISK OF FIRE  
Do not add fuel when product is operating. Allow engine to cool for two (2) minutes before refueling.

RIESGO DE FUEGO  
No ponga combustible cuando el producto este en operacion. Permita que el motor se enfrie por 2 minutos antes de reabastecer de combustible.

34-0599-ES-036800-ENG.

34-0599

**WARNING**

READ ENTIRE INSTRUCTION MANUAL BEFORE OPERATING AIR COMPRESSOR!

RISK OF FIRE OR EXPLOSION!

- Do not spray flammable liquid in a confined area. Spray area must be well ventilated. Do not smoke while spraying or spray where spark or flame is present. Keep compressors as far from spraying areas as possible.
- When a combustible liquid is sprayed there may be danger of fire or explosion, especially in a closed area.
- Arcing parts. Keep the unit at least 6m away from explosive vapors.
- Engine cross sparks. Do not operate in flammable vapors. Follow all instructions and warnings supplied with material to be sprayed.
- Do not smoke while filling engine fuel tank. Follow all fueling instructions in operator's manual.
- Air lines may explode if not properly maintained. To prevent weakening of tanks caused by corrosion, drain tanks after each use.
- This equipment incorporates parts, such as snap switches, receptacles, produce area or sparks and, therefore, when located in a garage, it should be in an enclosure or enclosure provided for the purpose, or should be 18 inches (457mm) or more above the floor.

RISK OF ASPHYXIATION!

- Never use compressed air for breathing or respiration!
- Gasoline engines produce carbon monoxide, a poisonous, odorless gas which may cause death! Do not start or operate compressor in an enclosed area. Area must be well ventilated.

RISK OF SEVERE INJURY!

- Before servicing gasoline unit, disconnect spark plug wire to prevent unit from starting unexpectedly.
- Wear safety glasses/face shields at all times.
- Never operate with belt/guard removed. If guard becomes damaged, repair or replace before operating.
- Do not remove any air line or tank connections before relieving air pressure in the tank(s).
- Loose debris can be propelled at high speeds. Never direct air stream towards yourself or others.

RISK OF BURNS!

- Do not touch compressor head, discharge lines or engine components. Cool before servicing.

RISK OF DAMAGING COMPRESSOR AND CAUSING INJURY!

- Do not operate at pressure or speed in excess of manufacturer's recommendations.
- Do not operate with components rated less than the pressure marked on the nameplate.

Follow required maintenance procedures and intervals listed in the operator's manual. Service should be performed only by qualified personnel. Compressor requires good ventilation to operate properly. Use only factory replacement parts.

FAILURE TO COMPLY WITH THESE WARNINGS WILL RESULT IN PERSONAL INJURY. DO NOT REMOVE THIS LABEL!

**ADVERTENCIA**

LEA USANDO EL MANUAL DE INSTRUCCIONES ANTES DE USAR EL COMPRESOR DEL AIRE!

RIESGO DE INCENDIO O EXPLOSION!

- No rocíe el líquido inflamable en una área confinada. La área para rociar tiene que ser bien ventilada. No fume cuando está rociando ni rocíe donde haya incendio o centella. Mantenga los compresores lejos de la zona de rociar si es posible.
- Cuando un líquido inflamable está rociado hay posible peligro de incendio o explosión, especialmente en un lugar cerrado.
- Partes de arco. Mantenga la unidad a menos de 6m lejos de los vapores explosivos.
- El motor se causan las centellas. No use en un lugar inflamable. Siga usted las instrucciones y advertencias con el material para rociar.
- No fume cuando está llenando el tanque de combustible siga todas las instrucciones de combustible en el manual del operador.
- Los tanques del aire puede explotar si no se mantenga bien. Para evitar la debilitación de los tanques del corrosión, drene los tanques cada uso.
- Este equipo tiene las partes con interruptor de resortes, receptáculos, se producen o centellas y por eso, cuando está en un garage, debe estar en un cuarto o un encierroamiento por este, o debe estar 18 pulgadas o (457 mm) o encima del suelo.

RIESGO DE LESIONES GRAVES!

- Antes de mantener la unidad gasolina, desconecte el hilo de la telegrafista para evitar la unidad a arrancar inesperadamente.

RIESGO DE QUEMADURAS!

- No toque la cabeza del compresor, líneas del descarga o partes del motor. Permita que se enfrie antes del servicio.

RIESGO DE ASFIXIA!

- Nunca se use el aire del compresor para respirar o respiración!
- El motor produce carbon monóxido un gas tóxico sin olor que se puede causar morir. No use o arranque un lugar encerrado. El área debe ser bien ventilada.

RIESGO DE LESIONES!

- Una parte de seguridad o blindaje todo el tiempo.
- Nunca opere sin el blindaje de protección. Si el ambiente está dañado repare o reemplaza antes de usarlo.
- Nunca saque cualquier línea del aire o conexión del tanque antes de eliminar del son aire en los tanques.
- No dirija el resaca de alta presión hacia ninguna persona ni hacia usted mismo. Escríbase se vuelan rápido.

RIESGO DE DAÑO DEL COMPRESOR O LESIONES!

- No opere a una presión o una velocidad más que se recomiendan en el manual.
- No opere con partes clasificadas menos de la presión que ha escrito en el plato de nombre.

Siga los procedimientos de mantenimiento y intervalos que se dicen en el manual de operador. Servicio debe hacer solamente por las personas calificadas. Para funcionar correctamente, necesita un lugar bien ventilado. Use solamente partes para reemplazar de la fábrica.

SI NO SIGA USANDO ESTAS ADVERTENCIAS PUEDE CAUSAR LESIONES. NO SAQUE LA ETIQUETA!

34-1615-ES-101904-ENG.

34-1615

**WARNING/ADVERTENCIA**

Do not operate unit without belt/guard in place.

No opere la unidad sin todas la cubierta correa en su sitio.

34-0826-ES-036800-ENG.

34-0826

**WARNING/ADVERTENCIA**

RISK OF BURNS  
Beware of Hot Surfaces. Allow unit to cool before servicing.

RIESGO DE QUEMADURA  
Tenga ud cuidado de los superficies calientes. Permita que la unidad se enfrie antes de mantener.

34-1284-ES-083101-ENG.

34-1284

**WARNING / ADVERTENCIA**

RISK OF ELECTRICAL SHOCK OR ELECTROCUTION! A generator is a potential shock hazard which can result in serious injury or death.

- Generator must be kept dry.
- Do NOT operate unit with wet hands.
- Generator MUST be grounded before use. See operators manual for specific instructions.
- Do not use around water or expose to rain. Store indoors.

RIESGO DE CALAMBRE ELECTRICO O ELECTROCUCION! Un generador es un potencial riesgo de descarga que puede resultar en lesiones graves o muerte.

- Generadores tienen que mantener secos.
- No opere esta unidad con manos mojadas.
- Generador TIENE que sea conectado a tierra antes de uso. Vea manual de operador para instrucciones específicas.
- No use cerca agua ni tenga la unidad en la lluvia. Debe almacenarla dentro.

34-1616-ES-101904-ENG.

34-1616

OPERATING INSTRUCTIONS FOR GASOLINE AIR COMPRESSORS

**WARNING**

AIR COMPRESSORS CAN CAUSE SERIOUS INJURY OR DEATH IF OPERATED IMPROPERLY. BEFORE OPERATING THIS COMPRESSOR, READ AND UNDERSTAND THE ENTIRE OPERATOR'S MANUAL AND FOLLOW ALL SAFETY PRECAUTIONS.

1. Flip the toggle on top of the pilot valve to the upright position. This provides a loadless start. The compressor will unload and allow the engine to start easier.
2. Start the engine. (Refer to Engine Manual accompanying this unit.)
3. When engine has run for 1-2 minutes, flip toggle back to original position.
4. Stop the engine. (Refer to Engine Manual accompanying this unit.)
5. Drain air from the tanks by releasing air with an attached air tool or by pulling on the safety relief valve rings.
6. Once pressure in the tanks register under 10 pounds, open the drain valve under each tank to drain any moisture.

INSTRUCCIONES DE OPERACION PARA COMPRESORES DEL AIRE GASOLINA

**ADVERTENCIA**

LOS COMPRESORES DEL AIRE PUEDEN CAUSAR LESIONES GRAVES LA MUERTE SI SE USE INCORRECTAMENTE. ANTES DE USAR EL COMPRESOR, LEA Y ENTIENDA TODAS LAS INSTRUCCIONES EN EL MANUAL Y OBSERVE LAS PRECAUCIONES DE SEGURIDAD.

1. Eche la palanca accodada encima de la válvula piloto a la posición vertical. Con este hay un arranque sin carga. El compresor va a descargar y permitir el motor a arrancar facilmente.
2. Arranque el motor. (Lea el manual del motor que está acompañando está unidad)
3. Cuando la unidad funciona para 1-2 minutos, mueva la palanca accodada a la posición original.
4. Cierre el motor. (Lea el manual que está acompañando está unidad)
5. Drene los tanques del aire con un instrumento acompañado del aire o tire los anillos de la válvula segura.
6. Cuando la presión en los tanques es menos de diez libras, abra la válvula debajo de cada tanque para des agua cualquier humedad.

34-1286-ES-092001-ENG.

34-1286

OPERATING INSTRUCTIONS FOR GENERATOR AND WELDER

**WARNING**

GENERATOR / WELDER CAN CAUSE SERIOUS INJURY OR DEATH IF OPERATED IMPROPERLY. BEFORE OPERATING THIS UNIT READ AND UNDERSTAND THE ENTIRE OPERATOR'S MANUAL AND FOLLOW ALL SAFETY PRECAUTIONS.

1. Ensure the unit is grounded according to the owner's manual and national, state, and local codes. Wear proper protective equipment and clear the area of any hazards before operating the unit.
2. To maximize welder output, do not weld while simultaneously filling the air tank or utilizing air tools.
3. Toggle the Full Throttle / Idle Switch to select to Full Throttle.
4. Rotate switch to select weld amperage. Do NOT adjust the control output while welding. Use table and electrode packaging to determine the correct size electrode and amperage.
5. For Direct Current Electrode Positive (DCEP), connect work cable to Negative (-) terminal and electrode holder to Positive (+) terminal. (thicker material and more penetration) For Direct Current Electrode negative (DCEN), reverse cable connections.

EL GENERADOR/SOLDADOR PUEDE CAUSAR LA HERIDA SERIA O LA MUERTE SI UTILIZADO INCORRECTAMENTE. ANTES DE UTILIZAR ESTA UNIDAD, LEA Y ENTIENDA EL MANUAL DEL OPERADOR ENTERO Y SIGA TODAS LAS PRECAUCIONES DE SEGURIDAD.

1. Asegure que la unidad es conectada a la tierra según el manual del propietario y códigos nacionales, estatales, y locales. Lleve el equipo protector apropiado y limpie el área de cualquier riesgo antes de utilizar la unidad.
2. Para maximizar el rendimiento de soldador, no solda mientras simultáneamente llenando el tanque de aire o utilizando instrumentos de aire.
3. Cambie el Interruptor de Toda Velocidad/Ocioso para seleccionar Toda Velocidad.
4. Gire el interruptor para seleccionar el amperaje de soldar. NO ajuste el rendimiento de control mientras soldando.
5. Use la tabla y empaque de electrodo para determinar el tamaño de electrodo y el amperaje correctos.
5. Para el Electrodo Corriente Directo Positivo (DCEP), una el cable de trabajo al terminal (-) Negativo y el tenedor del electrodo al terminal Positivo (+); (material más grueso y más penetración) Para el Electrodo Corriente Directo Negativo (DCEN), invierta uniones de cable.

34-2666 081711

34-2666

**ADANGER**

Using a generator indoors CAN KILL YOU IN MINUTES. Generator exhaust contains carbon monoxide. This is a poison you cannot see or smell.

NEVER use inside a home or garage. EVEN IF doors and windows are open.

Only use OUTSIDE and far away from windows, doors, and vents.

**ADANGER**

L'utilisation d'un groupe électrogène à l'intérieur PEUT VOUS TUER EN QUELQUES MINUTES.

Le gaz d'échappement du groupe électrogène contient de l'oxyde de carbone. C'est un gaz toxique que l'on ne peut pas voir ou sentir.

NE JAMAIS utiliser à l'intérieur d'une maison ou d'un garage. MÊME SI les portes et fenêtres s'ont ouvertes.

N'utiliser qu'à l'EXTÉRIEUR et bien éloigné des fenêtres, portes, et conduits d'aération.

**PELIGRO**

Utilizando un generador adentro PUEDE MATARLE EN MINUTOS.

El escape de generador contiene monóxido de carbono. Este es un gas tóxico que usted no puede ver ni puede oler.

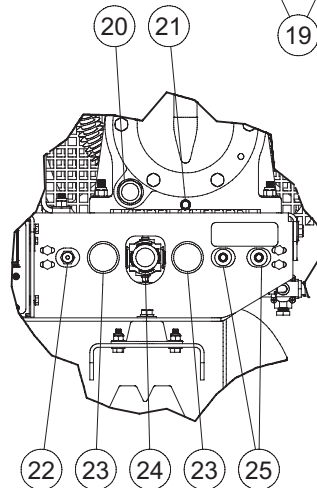
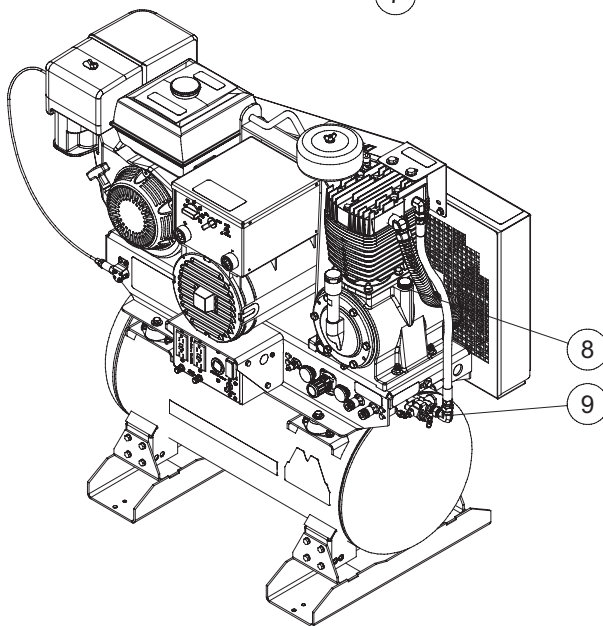
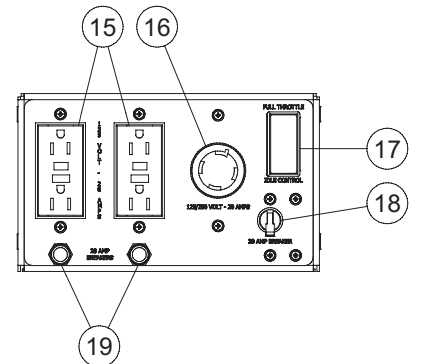
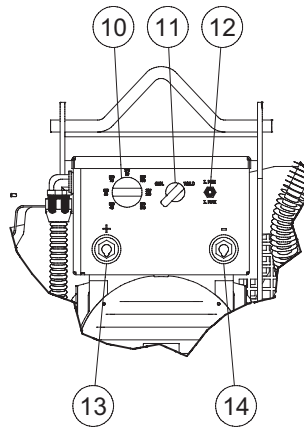
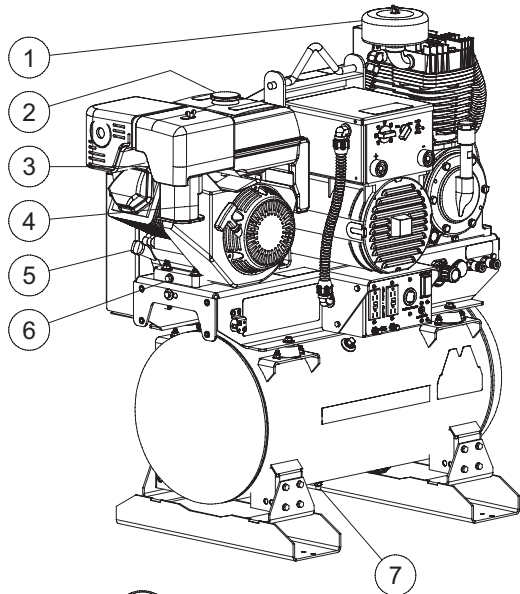
Nunca utilice dentro de un hogar ni el garaje. INCLUSO SI puertas y ventanas están abiertas.

Solo utilice AFUERAS y lejos de ventanas abiertas, las puertas, y descargas.

34-19160207-ES-ES

34-1916

# Mandos

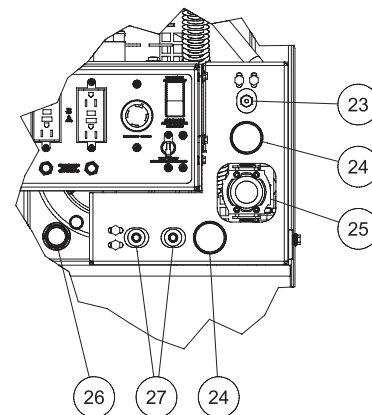
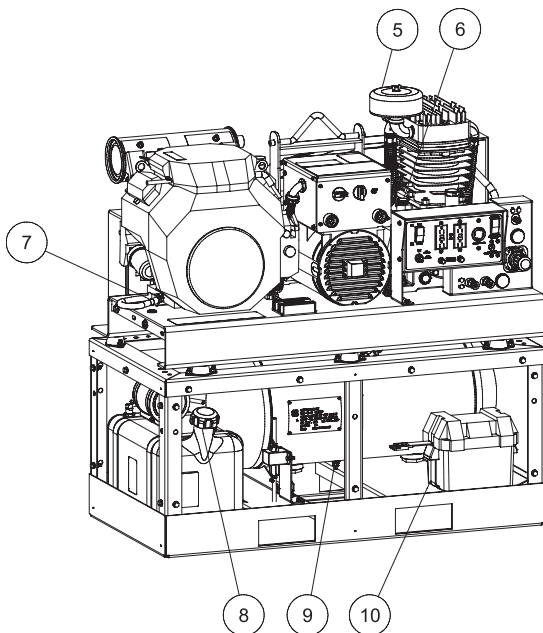
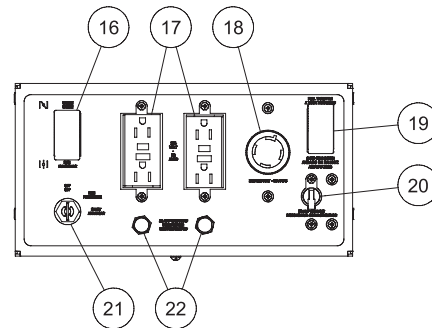
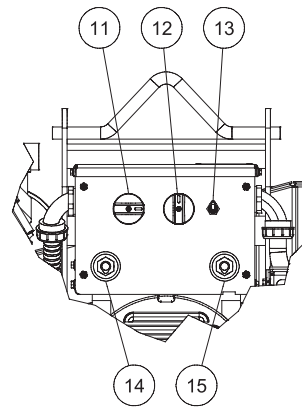
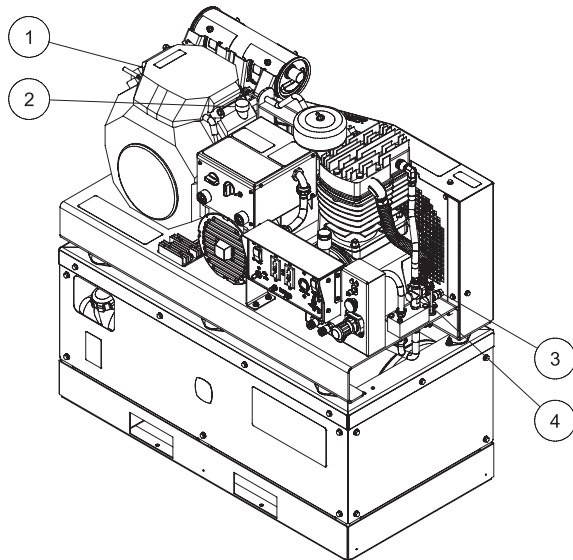


- 1-Filtro de Aire de Bomba
- 2-Capa de Combustible
- 3-Filtro de Aire de Motor
- 4-Estárter de motores
- 5-Llena de Petroleo de Motor
- 6-Desagüe del Petroleo de Motor
- 7-Desagüe de Tanque de Aire
- 8-Llena de Petroleo de Bomba
- 9-Válvula de Piloto
- 10-Ajuste de Amperaje de Soldar

- 11-Interruptor Seleccionador de Generador/Soldar
- 12-Interruptor Palanca de Mínimo/Máximo Amperaje
- 13-Enchufe de Soldar Positivo
- 14-Enchufe de Soldar Negativo
- 15-Receptáculo de 125V
- 16-125/250V 20A Cerradura de Torcedura
- 17-Interruptor de Control Inactivo
- 18-20A Interruptor de Palanca

- 19-20A Interruptor de Botón Empujado
- 20-Cristal de Vista del Petroleo de Bomba
- 21-Desagüe del Petroleo de Bomba
- 22-Válvula de Alivio de Seguridad
- 23-Indicador de Presión
- 24-Regulador
- 25-Conexión Rápido

# Mandos



- 1- Filtro de Aire de Motor
- 2- Llena de Petroleo de Motor
- 3- Desagüe del Petroleo de Bomba
- 4- Válvula de Piloto
- 5- Filtro de Aire de Bomba
- 6- Llena de Petroleo de Bomba
- 7- Desagüe del Petroleo de Motor
- 8- Capa de Combustible
- 9- Desagüe de Tanque de Aire
- 10- Batería

- 11- Ajuste de Amperaje de Soldar
- 12- Interruptor Seleccionador de Generador/Soldar
- 13- Interruptor Palanca de Mínimo/Máximo Amperaje
- 14- Enchufe de Soldar Positivo
- 15- Enchufe de Soldar Negativo
- 16- Estárter de motores
- 17- Receptáculo de 125V
- 18- 125/250V 20A Cerradura de Torcedura

- 19- Interruptor de Control Inactivo
- 20- 20A Interruptor de Palanca
- 21- Motor interruptor de llave
- 22- 20A Interruptor de Botón Empujado
- 23- Válvula de Alivio de Seguridad
- 24- Indicador de Presión
- 25- Regulador
- 26- Cristal de Vista del Petroleo de Bomba
- 27- Conexión Rápido

# Instalación

## INSTALACIÓN

Lea las advertencias de seguridad antes de preparar el compresor del aire.

Asegurar que el nivel del aceite en bomba de compresor de aire es adecuado. Si bajo, agregar SAE-30W, aceite sin-detergente.

### COLOCACIÓN:

Para evitar daños al compresor de aire, éste no debe inclinarse transversalmente o longitudinalmente a más de 10°.



**ADVERTENCIA: RIESGO DE ASFIXIA! NO FUNCIONAR EN AMBIENTES DE MAL VENTILADOS. USAR ESTE PRODUCTO EN AMBIENTES DE BUEN VENTILADOS SÓLO. EL EXHUSTRADO DEL MOTOR CONTIENE MONÓXIDO DE CARBONO. ES UN GAS INODORADO, VENENOSO, Y INVISIBLE. RESPIRACIÓN DE ESTE GAS PUEDE CAUSAR LESIONES GRAVES, ENFERMEDADES, Y POSIBLE LA MUERTE.**



**ADVERTENCIA: RIESGO DE EXPLOSIÓN O FUEGO QUE PUEDE CAUSAR LESIONES GRAVES Y LA MUERTE! NO TENER CONTACTO DE MOTOR Y MOEFLE CON VAPORES FLAMABLES, POLVOS COMBUSTIBLES, O OTRAS MATERIALES COMBUSTIBLES. UNA CHISPA PUEDE CAUSAR UN FUEGO.**

**CUANDO USANDO EL COMPRESOR DE AIRE PARA PINTAR, PONER EL COMPRESOR DE AIRE DEMASIADO AFUERA, DE AMBIENTE DE TRABAJAR. USAR MÁS TUBOS DE AIRE SI NECESITAR.**

Colocar el compresor de aire a una distancia mínima de 12 pulgadas de cualquier obstáculo que impida una correcta ventilación. No colocar jamás un compresor de aire en una zona:

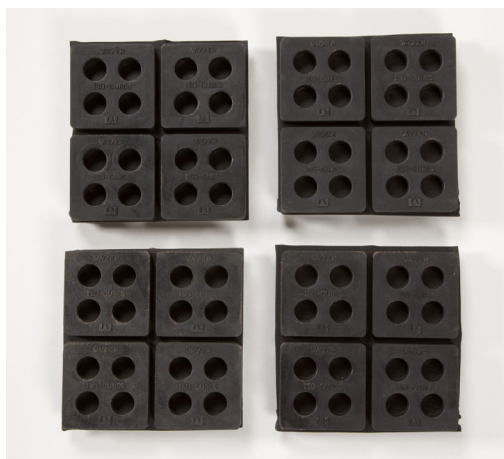
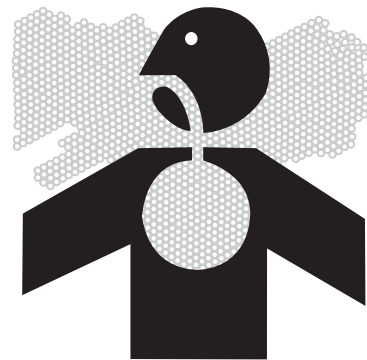
- donde hay fugas de aceite o gas.
- donde puede haber vapores o materiales inflamables.
- donde la temperatura del aire es inferior a 32°F o superior a 104°F.
- donde aire sucio o agua podría ser aspirado por el compresor de aire.

### INSTALACIÓN DE CAMIÓN DE SERVICIO:

Las instalaciones pueden variar. Montando debe ser hecho a un marco rígido. El instalador es responsable de asegurar el equipo en una manera segura.

### PARA TODAS LAS 30 GALÓN UNIDADES:

Partes Opcionales : IX-0001 (Isoladores)



## INSTRUCCIONES DE CONEXION A TIERRA

Este equipo debe conectarse a tierra. La conexión a tierra provee un camino de resistencia reducida a la corriente eléctrica para reducir el riesgo de choque, en caso de malfuncionamiento o falla.



**PELIGRO: LA CONEXIÓN INCORRECTA DEL CONDUCTOR DE CONEXIÓN A TIERRA DEL EQUIPO PUEDE RESULTAR EN UN RIESGO DE ELECTROCUCIÓN. SI USTED TIENE DUDAS ACERCA DE SI EL TOMACORRIENTE ESTÁ CORRECTAMENTE CONECTADO A TIERRA, CONSULTE CON UN ELECTRICISTA CALIFICADO O PERSONAL DE SERVICIO.**



En todos los casos se deberán utilizar la tuerca con orejetas y el terminal de la toma a tierra situados en el armazón para conectar el generador a una fuente de toma a tierra adecuada. Se deberá utilizar un cable de tamaño #8 para efectuar el circuito de la toma a tierra. Conecte el terminal del para la toma a tierra entre la arandela de seguridad y la tuerca con orejetas y apriete la tuerca completamente. Conecte firmemente el otro extremo del cable a una fuente de toma a tierra adecuada.

En el Código Eléctrico Nacional (<<National Electric Code>>) se indican algunos métodos prácticos para establecer una buena fuente para la toma a tierra. Los ejemplos que se indican a continuación ilustran algunos de estos métodos para establecer una toma a tierra adecuada.

Como fuente para la toma a tierra se puede utilizar un conducto metálico subterráneo para el paso de agua que se encuentre en contacto directo con el suelo y que tenga una extensión mínima de 10 pies. En caso de que no disponga de un tubo subterráneo, se puede utilizar un tubo o barra con una longitud de 8 pies como fuente para la toma a tierra. El tubo debería tener un tamaño estándar de 3/4 pulgadas como mínimo, y la superficie exterior debería ser resistente a la corrosión. En caso de que se utilice una barra de acero o hierro, el diámetro de la misma debería ser de 5/8 pulgadas como mínimo. Si se utiliza una barra de un material que no sea hierro, el diámetro de la misma debe ser de 1/2 pulgada como mínimo, y debe estar clasificado como un material adecuado para efectuar la toma a tierra. Introduzca la barra o el tubo a una profundidad de 8 pies. En caso de que el fondo empiece a ser rocoso a una profundidad inferior a cuatro pies, deberá enterrar el tubo o la barra en una zanja. Todas las herramientas e instrumentos eléctricos operados desde este generador deberán tener la toma a tierra adecuada. Para ello se habrá de utilizar un tercer cable, el cual deberá tener un <<Aislamiento Doble>>.

Se recomienda que:

1. Use dispositivos eléctricos con cables eléctricos de 3 espigas.
2. Use un cable de extensión con 3 tomas y un enchufe de 3 espigas en los extremos opuestos, para asegurar la continuidad de la protección de la toma a tierra que va desde el generador hasta el aparato eléctrico.

Le recomendamos igualmente que se cumplan con todos los reglamentos nacionales, regionales y locales relacionados con las especificaciones de toma a tierra que resulten aplicables.

### CONMUTADOR DE TRANSFERENCIA DE LINEA:

Si este generador va a ser utilizado como servicio de reserva para casos de emergencia, será necesario que incorpore un conmutador de transferencia de línea entre el servicio de suministro eléctrico público y el generador. El conmutador de transferencia no sólo evita que la línea de suministro eléctrico público alimente al generador, sino que además impide que el generador alimente a las líneas de suministro de la compañía eléctrica. Se pretende con ello proteger a las personas encargadas del servicio cuando se encuentren trabajando en una línea que pueda estar dañada.

**ESTA INSTALACIÓN DEBERÍA SER EFECTUADA POR UN ELECTRICISTA CERTIFICADO. SE DEBERA CUMPLIR CON TODOS LOS CÓDIGOS LOCALES.**



**MOTOR DE GASOLINA**

Revisar "Riesgo de explosión o fuego" antes de agregar fuel. Leer manual de motor que acompando este compresor de aire para mantenimiento correcto de encender de motor.



**ADVERTENCIA RIESGO DE EXPLOSIÓN O FUEGO QUE CAUSAR LESIONES GRAVES Y LA MUERTE! NO FUMAR CUANDO DANDO FUEL!**

**NO LLENAR EL TANQUE DE FUEL CUANDO COMPRESOR DE AIRE ENCENDIDO O CALOR. PERMITIAR DOS MINUTOS PARA ENFRIAR ANTES DE MÁS FUEL/COMBUSTIBLE.**

**PERMITIR 1/4" DE ESPACIO DE TANQUE PARA EXPANSIÓN DE FUEL. NO LLENAR EL TANQUE COMPLETO.**

**NO PONER EL UNITO EN AMBIENTES CON VAPORES FLAMABLES. UNA CHISPA PUEDE CAUSAR UN EXPLOSIÓN O UNFUEGO.**

**SIEMPRE GUARDAR EL FUEL AFUERA DE COMPRESOR DE AIRE CUANDO FUNCIONANDO O CALOR.**



**ADVERTENCIA: RIESGO DE EXPLOSIÓN O FUEGO QUE PUEDE CAUSAR LESIONES GRAVES Y LA MUERTE! NO TENER CONTACTO DE MOTOR Y MOEFLE CON VAPORES FLAMABLES, POLVOS COMBUSTIBLES, O OTRAS MATERIALES COMBUSTIBLES. UNA CHISPA PUEDE CAUSAR UN FUEGO.**

**CUANDO USANDO EL COMPRESOR DE AIRE PARA PINTAR, PONER EL COMPRESOR DE AIRE DEMASIADO AFUERA, DE AMBIENTE DE TRABAJAR. USAR MÁS TUBOS DE AIRE SI NECESITAR.**

Recomendar usar fuel del minimo de 87 octano con este compresor de aire. No mezclar aceite con gasolina.

Recomendar usar gasolina sin plomo y limpiado y fresco. Puede usar gasolina con plomo si no tener gasolina sin plomo. No usar gasolina con metano o alcohol.

Referir a manual de motor para mantenimiento necesario y ajustados.

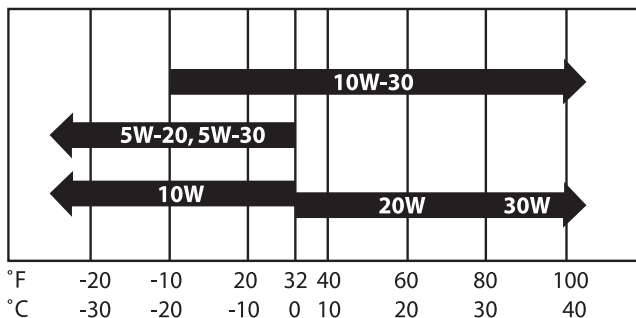
**ACEITE DEL MOTOR**

Use un aceite de motor de la viscosidad que corresponda a la gama de temperatura ambiente durante el periodo entre cambios de aceite.

Usar un aceite deterativo de alta calidad con clasificación API SJ o superior.

Revise siempre el nivel de aceite antes de poner la máquina en marcha, y asegurarse de que se mantenga.

Tabla de Temperatura





**PRECAUCIÓN: ESTE MOTOR VIENE DE FÁBRICA SIN ACEITE EN EL CÁRTER. ASEGURARSE DE CARGAR ACEITE ANTES DE PONER EL MOTOR EN MARCHA.**

### VOLUMEN DE ACEITE DEL MOTOR

# DE MODELO	LITROS	CUARTOS	ONZAS
AGW-SR14-30M	1.2	1.27	40.5
AGW-SH22-20M	2.0	2.1	67.6

**NOTA:** *Estos motores están protegidos con un sistema de corte por bajo nivel de aceite. Si el motor no arranca, como primera medida inspeccionar el nivel de aceite en el cárter.*

Para llenar con aceite:

1. Ponga en nivel el motor para asegurar de inspección adecuada para prevenir sobrellenando.
2. Destornille el indicador de aceite, limpie varilla del aceite seco. Vuelve a insertar el indicador del aceite respaldo entre la abierta de indicador del aceite. Evite el indicador del aceite y revise el nivel del aceite.
3. El nivel del aceite debe estar entre la marca del lleno y abajo en varilla del aceite.

**NOTA:** *Cuando revisando el aceite, asegúrese que motor esté en nivel.*

4. Llene con aceite como necesario por abierta del indicador de llenado del aceite.
5. Reemplace indicador del aceite y atornille firmemente.
6. Limpie algo aceite derramado.

### CARGA DE COMBUSTIBLE



**ADVERTENCIA: EL COMBUSTIBLE ES EXPLOSIVO! LA GASOLINA (NAFTA) ES UN FLUIDO EXTREMADAMENTE INFLAMABLE Y SUS VAPORES PUEDEN EXPLOTAR EN PRESENCIA DE UNA CAUSA DE IGNICIÓN.**

**GUARDE EL COMBUSTIBLE EN RECIPIENTES APROBADOS ESPECIALMENTE PARA ELLO, EN LUGARES BIEN VENTILADOS, NO HABITADOS, Y ALEJADOS DE LLAMAS Y CHISPAS.**

**NO CARGUE COMBUSTIBLE CON EL MOTOR CALIENTE O EN MARCHA, YA QUE UN DERRAME PODRÍA INCENDIARSE SI ENTRA EN CONTACTO CON UNA PIEZA MUY CALIENTE O CON LA CHISPA DE UNA BUJÍA. NO ARRANCAR EL MOTOR CERCA DE COMBUSTIBLE DERRAMADO.**

**NO USE COMBUSTIBLE COMO LÍQUIDO LIMPIADOR.**



**ADVERTENCIA: NO CARGUE EN EXCESO EL TANQUE DE COMBUSTIBLE. DEJAR ESPACIO PARA LA EXPANSIÓN DEL COMBUSTIBLE.**

### Recomendaciones generales

- Compre gasolina en cantidades moderadas y guardarlo en recipientes limpios especialmente aprobados para uso con combustible.

- Es recomendable no utilizar combustible que haya quedado del año anterior. Así se reducirá al mínimo la formación de sedimentos en el circuito de combustible y la máquina arrancará con más facilidad.
- No agregue aceite a la gasolina.

**Tipo de combustible**

- Para obtener óptimo rendimiento, usar gasolina limpia, sin contenido de plomo, y con un grado de octanaje de al menos 87.
- Es más conveniente utilizar gasolina sin plomo, ya que deja menos sedimentos en la cámara de combustión del motor.

**MEZCLAS DE GASOLINA Y ALCOHOL:**

Las mezclas de gasolina sin plomo y alcohol, también denominadas Gasohol o Alconafta, se pueden usar para motores (hasta el 10% de alcohol etílico y 90% de gasolina sin plomo, en proporción volumétrica). No use otros tipos de mezcla de alcohol y gasolina con el motor.

**MEZCLAS DE GASOLINA Y ÉTER:**

Las mezclas de gasolina sin plomo y éter terciario butilmetílico (MTBE) se pueden usar para motores (hasta un máximo del 15% de MTBE en proporción volumétrica). No use otros tipos de mezcla de gasolina y éter con el motor.

**INSTALACIÓN DE BATERÍA**



**ADVERTENCIA: DEBERÁ HACER DE UN CONCESIONARIO AUTHORIZADO DE MI-T-M.**

**# DE REEMPLACE DE BATERÍA**

32-0058

**ALTITUD ALTA**

En altitud alta, la mezcla de aire/combustible del carburador estándar será demasiado rico. Función disminuirá y consumpción de combustible aumentará. Una mezcla muy rica también fallará el chispero y causar empezando difícil. Operación a una altitud que es diferente de altitud donde el motor fue certificado, para una extensión de mucho tiempo, puede aumentar emisiones.

Función de altitud alta puede mejorar de modificaciones específicos al carburador. Si siempre operar su unidad a altitudes más de 5,000 pies (1500 metros), su concesionario haga esta función de modificación a carburador. Este motor, cuando operando a altitud alta con modificaciones a carburador para uso en altitud alta, encontrará cada estándar de emisión en toda vida de uso.

Con modificación de carburador, caballo de fuerza de motor disminuirá sobre 3.5% para cada 1,000 pies (300-metros)

aumento en altitud. Este efecto de altitud en caballo de fuerza será más grande de este si no haga modificación de carburador.

*NOTA: Cuando el carburador modificó para operación altitud alta, la mezcla de aire/combustible será demasiado delgado para uso en altitud abajo. Operación a altitudes abajo de 5,000 pies (1500 metros) con carburador modificado causaría recalentado de motor y resultaría en daño serio de motor.*

*Para uso a altitudes abajos, vuelva carburador a concesionario de servicio a especificados orginales de fábrica.*

# Operación

## OPERACIÓN

Controles antes del arranque:

Antes de empezar, controlar el nivel del aceite. (ver manual de motor.) Llenar el tanque de fuel en accordancia de manual de instruccion.

Debe revisarse el nivel del aceite de la bomba debe revisarse antes de cada aplicación. Revise el indicador del nivel de aceite en el cárter de la bomba. Asegúrese que el aceite esté al nivel correcto indicado por el punto en el vidrio de nivel. Use aceite para bombas de SAE20 o 30 no detergente si parece que el nivel está bajo.

Eliminar la condensación del depósito del compresor de aire.



**ADVERTENCIA: PELIGRO DE LESIONES AL CUERPO. NO INTENTE JAMÁS ABRIR LA VÁLVULA DE DESCARGA CUANDO HAY MÁS DE 10 PSI DE PRESIÓN EN EL INTERIOR DEL DEPÓSITO.**

Descargar la presión excesiva con una herramienta de aire, luego abrir la válvula de descarga del depósito de aire ubicada en la parte inferior del depósito. Cerrar bien una vez descargado.

Controlar el boton de motor es en posición de "OFF".

Controlar que la válvula de seguridad funcionando correcto.

Controlar que todas tapas y cubiertas están en posición y montar seguriando. OperaCiÓN

1. Leer atentamente las advertencias de seguridad antes de efectuar esta operación.
2. Asegúrese que unidad toma a tierra. Vea Instrucciones de Conexión a Tierra.

**NOTA:** *Desenchufe todo el equipo de los receptáculos de energía antes de comenzar la unidad.*

3. Colocar muletilla que estar en la arriba de válvula pilota a posición vertical. Este dar una empezada sin descargar. Este compresor de aire puede descargar y tener una empezada de motor más facil.
4. Encender el motor. (Referir a manual de este unito de motor. (Referir a manual de este unito de motor. En unidades de motor de Honda, la inductancia y la tecla del interruptor en el panel de la caja eléctrica.)
5. Despues de 1-2 minutos de funcionando, poner muletilla en posición orginal.
6. Ajustar la presión moviendo el regulador de presión en el sentido contrario a las manecillas del reloj para reducir la presión y en el sentido de las manecillas del reloj para aumentaria.
7. Asegure que los cachones están en la posición de usar.
8. Examine recipiente(s) de GFCI en la unidad. Empuje el botón de exam. El botón de colocar debe saltar y no debe tener potencia al recipiente. Aplique una carga de examinar o luz a cada recipiente para verificar. **SI BOTÓN DE COLOCAR NO SALTE, NO USE LOS RECIPIENTES. VEA CONCESIONARIO PARA SERVICIO INMEDIATAMENTE.**
9. Si recipientes examine correcto, empuje el botón de colocar para restablecer potencia. Debe oír o sentir un taconazo

distinto cuando este es completo. SI RECIPIENTES NO COLOCAR CORRECTO, NO USE RECIPIENTES. VEA CONCESIONARIO PARA SERVICIO INMEDIATAMENTE.

- Si unidad tiene control de flojear a posición de ANDADO DE RALENTI AUTOMATICO. Ahora cargas pueden aplicar a la unidad.

**COMIENZO DE SOLDAR:**

- Quite toda la corriente alterna cargas eléctricas de la unidad.
- Mueva el interruptor de GEN/SOLDAR a la posición de SOLDAR.
- Ponga el interruptor del seleccionador minimo/máximo en la posición del ajuste de amperaje.
- Mueva interruptor de control de ralenti a la posición de toda velocidad.
- Compruebe la conexión a la tierra.
- Carta de Soldar (Selección de los Tamaños de Cable de Soldar)\*



**ADVERTENCIA: APAGUE EL PODER ANTES DE UNIR CON TERMINALES DE SALIDA DE SOLDAR. NO USE CABLES LLEVADOS PUESTOS, DAÑADOS, DE TAMAÑO INSUFICIENTE, O MAL EMPALMADOS.**

Terminales de Salida de Soldar							
Tamaño de Cable de Soldar** y la Longitud del Cable Total (Cobre) en el Recorrido de Soldar que No Excede ***							
Amperios de Soldar	100 ft (30 m) or Less	150 ft (45 m)	200 ft (60 m)	250 ft (70 m)	300 ft (90 m)	350 ft (105 m)	400 ft (120 m)
	100% Duty Cycle	10 – 100% Deber Cyclev					
100	4 (20)	4 (20)	3 (30)	2 (35)	1 (50)	1/0 (60)	1/0 (60)
150	3 (30)	2 (35)	1 (50)	1 (50)	2/0 (70)	3/0 (95)	3/0 (95)
200	2 (35)	1 (50)	1/0 (60)	2/0 (70)	3/0 (95)	4/0 (120)	4/0 (120)

\* Esta carta es una pauta general y es posible que no satisfeche todas las aplicaciones. Si el cable se recalienta, use el tamaño cable proximo más grande.

\*\* El tamaño de cable de soldar (AWG) está basado en 4 voltios o en menos descenso o una densidad corriente de al menos 300 circular mils por amperio. ( ) = mm2 para uso métrico

\*\*\* Para distancias más largas que aquellos mostrados en esta guía, llame un representante de aplicaciones de fábrica en 800-553-9053.

**NOTA:** Este motor está protegido con un sistema que para el motor cuando el aceite alcanza un nivel muy bajo. El motor no volverá a arrancar si no se agrega aceite.

En caso de ruidos o vibraciones anómalos, detener el compresor de aire y consultar la sección "Localización de Averías".

**APAGAMIENTO:**

- Quite todas cargas como desconecten cordones eléctricos y apagando aparatos eléctricos.
- Para parar el compresor de aire mover el boton de motor a posición de "OFF". (Referir a manual de motor de este unito.)
- Mueva el interruptor de GEN/SOLDAR a la posición de GEN.
- Descargar el aire de los depósitos de aire, por medio de una herramienta conectada o tirando los anillos de la válvula de seguridad.

**CARTA DE ELECTRODO**

ELECTRODO	DIÁMETRO	VARIEDAD DE AMPERAJE					
		50	100	150	200	250	300
6010 and 6011	3/32	■					
	1/8		■				
6011	5/32			■			
	3/16				■		
6013	1/16	■					
	5/64		■				
	3/32			■			
	1/8				■		
	5/32					■	
	3/16						■
7014	3/32			■			
	1/8				■		
	5/32					■	
	3/16						■
7018	3/32		■				
	1/8			■			
	5/32				■		
	3/16					■	

34-2670 081711

5. Una vez que le presión en el interior de los depósitos de aire es inferior a 10 libras, abrir la válvula de descarga debajo de cada depósito de aire para eliminar la humedad.
6. Permite el motor a operar a velocidad de flojear para enfriarse por dos (2) minutos.
7. Cierre válvula de comestible en unidad o motor.
8. Apague interruptor de ignición de motor.
9. Limpiar el compresor de aire con un paño y colocarlo en un lugar seguro, donde no exista el riesgo de congelación.

**NOTA:** El motor podría dañarse si no se lo deja enfriar en vacío durante dos (2) minutos antes de pararlo.

**CONTROLES DE OPERAR**

CONTROL DE MARCHA EN VACÍO:

**Nota:** el control inactivo es incapacitado en el modo de soldar.

El control de marcha en vacío viene instalado de fábrica, y es un dispositivo electrónico que comanda la economización de combustible durante la marcha en vacío del motor (sin carga), y pasa automáticamente a marcha gobernada a velocidad normal cuando se aplican cargas eléctricas. Cuando interviene el control de marcha en vacío, anula la intervención del gobernador de velocidad del motor. Al aplicar una carga, el circuito electrónico reacciona desenergizando el sistema de comando en vacío y vuelve a intervenir el gobernador de velocidad normal de servicio.

El control de marcha en vacío comanda la velocidad del motor de la siguiente manera:

1. Con interruptor del control de marcha en vacío en posición de a toda velocidad (OFF), arranque el motor.
2. Después de precalentar el motor durante un par de minutos, llevar el interruptor de control de marcha en vacío a la posición de marcha (ON). Después de un período de retardo de 5 a 8 segundos, el motor pasará a velocidad en vacío.
3. Cuando se aplica una carga al generador, o la presión de tanque de compresor de aire se cae debajo de setpoint (punto fijado) regulado el sistema de control en vacío se desenergiza automáticamente y el motor se acelera a velocidad normal comandado por el gobernador.
4. Al desconectarse la carga del generador, o la presión de tanque de compresor de aire es restaurada., se vuelve a energizar el control de marcha en vacío y después de un retardo de 5 a 8 segundos, el motor pasa a velocidad en vacío.

## CONTROLES

### TAMAÑO DEL CABLE:

Un voltaje bajo puede dañar el equipo. Por consiguiente, para evitar las caídas de tensión excesivas entre el generador y el equipo, el cable deberá tener el calibre adecuado para la longitud requerida. La tabla de datos para la selección del cable proporciona la longitud máxima para los distintos calibres de alambre que pueden tolerar las cargas indicadas a continuación.

CORRIENTE EN AMPERIOS	CARGA EN VATIOS		MAXIMA LONGITUD ADECUADA DE CABLE (ALAMBRE DE CABLE)				
	A 120 VOLTIOS	A 240 VOLTIOS	#8	#10	#12	#14	#16
2.5	300	600		1000 ft	600 ft	375 ft	250 ft
5	600	1200		500	300	200	125
7.5	900	1800		350	200	125	100
10	1200	2400		250	150	100	50
15	1800	3600		150	100	65	
20	2400	4800	175 ft	125	75	50	
25	3000	6000	150	100	60		
30	3600	7200	125	65			
40	4800	9600	90				

### CARGAS DEL MOTOR ELECTRICO:

Una de las características de los motores eléctricos comunes es que, en el momento de arrancar, necesitan multiplicarse veces la potencia requerida para su funcionamiento. Ud. puede utilizar esta tabla para calcular los vatios requeridos para el arranque de los motores eléctricos de "CODE G" (CODIGO G).



**PRECAUCIÓN: EN EL CASO DE QUE UN MOTOR NO ARRANQUE O NO ALCANCE LA VELOCIDAD NECESARIA PAR SU FUNCIONAMIENTO, DEBERÁ APAGAR INMEDIATAMENTE EL EQUIPO ELÉCTRICO O EL INSTRUMENTO PARA EVITAR DAÑOS A LOS MISMOS. SIEMPRE DEBERÁ COMPROBAR LOS REQUISITOS DEL INSTRUMENTO O EQUIPO ELÉCTRICO QUE SE VA A UTILIZAR, EN COMPARACIÓN CON LA CAPACIDAD NOMINAL DEL GENERADOR.**

TAMAÑO DEL MOTOR (CV)	VATIOS DE FUNCIONAMIENTO	VATIOS REQUERIDOS PARA ARRANCAR EL MOTOR		
		REPULSIÓN DE INDUCCIÓN	CAPACITOR	FASE DIVIDIDA
1/8	275	600	850	1200
1/6	275	600	850	2050
1/4	400	850	1050	2400
1/3	450	975	1350	2700
1/2	600	1300	1800	3600
3/4	850	1900	2600	
1	1100	2500	3300	



# Localización de Fallas

Síntoma	Problema	Soluciones
<b>El motor no encender.</b>	Varias problemas de motor.	Referir a manual de motor de su compresor de aire.
<b>Funcionamiento ruidoso.</b>	Polea de motor o bomba de rueda volado es suelto.	Apretar polea y/o rueda volado.
	Falta aceite en la bomba.	Reponer la cantidad de aceite necesaria. Controlar que los cojinetes no se hayan dañado.
	Residuos de carbono en los pistones o en las válvulas.	Desmontar e inspeccionar la culata del cilindro. Limpiar y sustituir.
	Avería del cojinete, pistón o biela.	PARAR EL COMPRESOR! Póngase en contacto con la Asistencia Clientes.
<b>Abajo de presión en tanque de aire o abajo de presión rápidamente cuando el compresor de aire está apagado.</b>	Los accesorios no han sido apretados bien.	Apretar los accesorios donde se oye que el aire da. Controlar los accesorios con una solución de agua y jabón. No apretar demasiado.
	La válvula de retención y la válvula piloto es defectuosa.	Desmontar, limpiar o sustituir.
	Fugas de aire del depósito de aire.	Sustituir el depósito de aire. No intentar reparar el depósito.
<b>Presión insuficiente en la herramienta o en los accesorios.</b>	Fugas de aire.	Localizar las fugas y reparar.
	Filtro aspiración aire obstruido.	Limpiar o sustituir.
	Los tubos o los empalmes de los tubos son demasiado pequeños o largos.	Sustituir con tubos o empalmes más grandes.
	El compresor de aire no produce la capacidad de aire requerida.	Controlar el requisito de aire del accesorio. Si es superior al CMF o a la presión suministrada or el compresor de aire, es necesario usar un compresor más grande.
	El regulador de presión no ha sido ajustado a una presión suficientemente alta o avería del regulador de presión.	Ajustar el regulador de presión al valor adecuado o sustituir.
	Las resbalaban de correa.	Haga mas apretado o reemplace.
	Válvula piloto restricta.	Limpie o reemplace.
<b>El aire sale de la válvula de seguridad.</b>	La válvula de seguridad probablemente es defectuosa.	Activar la válvula de seguridad manualmente tirando del anillo.
	La presión de aire en el depósito es excesiva.	Si el aire sigue saliendo, debe ser sustituida. Interruptor motor/presión defectuoso. Sustituir.

Síntoma	Problema	Soluciones
<b>No hay salida de voltaje del unidad.</b>	Arranque de control de marcha en vacío. Serie de cordon o extensiones inadecuados.	Coloque control de marcha en vacío.  Revise capacidades de series de cordon o extensiones.
<b>Fugas de aire en la bomba.</b>	Juntas defectuosas.	Apriete los pernos en el compresor usando la fuerza de torsión correcta o reemplace las empaquetaduras.
<b>Soufflement d'air provenant du filtre d'admission d'air.</b>	Soupape (reed) d'admission défectueuse.	Sustituir.
<b>Condensación en el aire de descarga.</b>	Condensación en el depósito de aire debido a una elevada humedad atmosférica o el compresor de aire no ha funcionado por un tiempo suficiente.	Opera el compresor de aire por una hora para impedir demasiado condensación. Vaciar el depósito de aire después de cada empleo. Vaciar el depósito de aire más frecuentemente en climas húmedos y usar un filtro en la línea de aire.
<b>Excesivo consumo de aceite en la bomba.</b>	Filtro aspiración aire obstrucido.	Limpiar o sustituir.
	Compresor de aire sobre superficie no nivelada.	No inclinar el compresor de aire a un ángulo superior a 10° en ninguna dirección mientras esté en marcha.
	Cárter demasiado lleno de aceite.	Vaciar el aceite. Reponer con aceite hasta el nivel apropiado.
	Viscosidad incorrecto.	Elimina el aceite. Llene al nivel correcto con SAE-30W aceite sin detergente.
	Pérdidas de aceite.	Apriete los pernos en el cabeza del compresor usando la fuerza de torsión correcta o reemplace las empaquetaduras.
<b>Condensación en el aire de descarga.</b>	Anillos del pistón desgastados o cilindro rayado.	Ponerse en contacto con la Asistencia Clientes.
	Respirado de cárter es taparo.	Limpiar o sustituir.
<b>Condensación en el aire de descarga.</b>	Condensación en el depósito de aire debido a una elevada humedad atmosférica.	Opera el compresor de aire por una hora para impedir demasiado condensación. Vaciar el depósito de aire después de cada empleo. Vaciar el depósito de aire más frecuentemente en climas húmedos y usar un filtro en la línea de aire.
<b>No hay salida de voltaje del unidad.</b>	Serie de cordon o extensiones inadecuados.	Revise capacidades de series de cordon o extensiones en sección de Controles; Tamaño de Cable en este manual. Consultar con un concesionario de distribuidor.

# Mantenimiento

## MANTENIMIENTO

Leer el manual de instrucciones antes de efectuar cualquier operación de mantenimiento. Mantener limpias las aberturas de ventilación. Mantenga el unidad limpiado. No rociar con agua. Revisar periódicamente los tornillos y pernos, y ajustarlos en la medida de lo necesario (véase el cuadro de mantenimiento periódico).

Las operaciones descritas a continuación deben ser llevadas a cabo cuando el compresor se apaga por mantenimiento o reparaciones:

1. Apagar el compresor de aire.
2. Desconectar el cable de la toma de corriente principal.
3. Abrir todas las descargas.
4. Esperar que el compresor de aire se haya enfriado antes de comenzar las operaciones.

Cuadro de Mantenimiento periódico:

El mantenimiento de un motor a intervalos regulares asegura su funcionamiento satisfactorio por largos periodos. En el siguiente cuadro de mantenimiento periódico se indican los elementos a inspeccionar y mantener, y la frecuencia de ejecución de las tareas, que está marcada con un punto alineado con la tarea involucrada.

**NOTA:** Para ciertas tareas de regulación y calibración es necesario utilizar herramientas y equipos especiales. Para calibrar la velocidad en vacío y de servicio, es sumamente conveniente contar con un tacómetro electrónico.

Operación	Diaria	Semanal	Mensual	Cada 100 Horas	Cada 200 Horas	Antes de almacenar
Controlar el nivel del aceite de la bomba	x					
Controlar el nivel del aceite de motor	x					
Inspeccionar que no haya pérdidas de aceite	x					
Controlar el filtro de aire de motor	x					
Descargar la condensación del depósito/s de aire	x					
Controlar el cubierta/tapa	x					
Controlar que no hay ruidos/viraciones anómalos	x					
Inspeccionar que no hay fugas de aire	x					
Inspección de limpieza de aletas de cilindro y tapa de cilindros	x					
Inspección de nivel de electrolito de batería	x					
Inspección de línea de combustible (cambiar si fuera necesario)	x					
Limpiar el compresor de aire exteriormente		x				
Controlar el filtro del aire		x				
Controlar el correa			x			
Controlar la válvula de seguridad			x			
Cambio de aceite del motor (**)				x		
Limpieza del filtro de combustible				x		
Cambio del elemento de papel del filtro de aire (***)				x		
Cambiar el aceite de la bomba (*)					x	
Sustituir el filtro del aire					x	
Compruebe el enchufe de chispa del motor					x	
Agregar estabilizador de combustible						x
Dejar la unidad marcha hasta consumir el combustible						x

- El aceite de la bomba debe cambiarse después de 50 horas de trabajo y cada 200 horas o 3 meses, según la condición que ocurra antes. Se recomienda el uso de sustancias puras sin detergente.
- Ejecutar esta tareas después de las primeras cinco (5) horas de servicio, y después con la frecuencia indicada.
- Aumentar la frecuencia si la unidad trabaja en ambientes muy polvorientos.  
Cada dos años, un técnico autorizado de servicio debe inspeccionar la válvula, válvulas de entrar y válvulas de liberar.

## MANTENIMIENTO

### MOTOR:

El motor de este generador está gobernado para funcionar a velocidades próximas a 3600 RPM (60Hz) durante la marcha dentro del rango de cargas admisibles. La velocidad del motor antes de la aplicación de la carga es levemente mayor que la velocidad baja carga, y normalmente está regulada a 3750 RPM.



**ADVERTENCIA: NO ALTERAR EL MECANISMO DEL GOBERNADOR DE VELOCIDAD DE LA MÁQUINA, NI CAMBIAR SU CALIBRACIÓN PARA EXPERIMENTAR, NI ABRIR AL MÁXIMO EL ACELERADOR PARA TRATAR DE GENERAR MÁS POTENCIA ELÉCTRICA, YA QUE SE PUEDE DAÑAR EL EQUIPO O CAUSAR ACCIDENTES PERSONALES.**

**LA REGULACIÓN DEL GOBERNADOR DE VELOCIDAD SE DEBE LLEVAR A CABO ÚNICAMENTE EN UN CONESIONARIO DE JOHN DEERE.**

### INSPECCIÓN DEL NIVEL DE ACEITE:

Antes de ponga en marcha la máquina, revise siempre el nivel de aceite y mantener seguido en las pautas; referir a manual de motor de este unidad.

### CAMBIO DE ACEITE DEL MOTOR:

Cambie el aceite después de las primeras 25 horas de funcionamiento, y después hacerlo cada 50 horas.

1. Asegúrese que la unidad está en tierra nivel. Opere el motor para calentar el aceite.
2. Pare el motor.
3. Evite tapón de descarga del aceite. (Fig. 1)



**PRECAUCIÓN: EL ACEITE PODRÍA ESTAR MUY CALIENTE. TOMAR PRECAUCIONES PARA EVITAR LESIONES PERSONALES. DESECHAR EL ACEITE USADO SEGÚN LOS REGLAMENTOS VIGENTES.**

4. Descargue aceite mientras motor es tido entre envase apropiado.
5. Reinstale tapón de descarga del aceite.
6. Evite indicador de aceite y rellenar con aceite nuevo. (Fig. 2)
7. Revise el nivel del aceite como informado del manual el motor.
8. Limpie algo aceite que derramado.

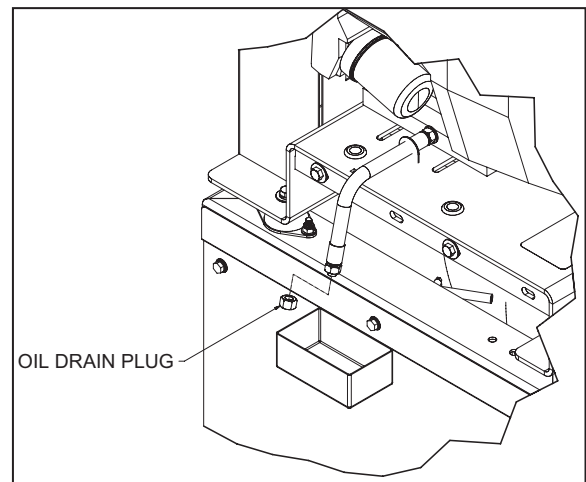
### FILTRO DE AIRE:



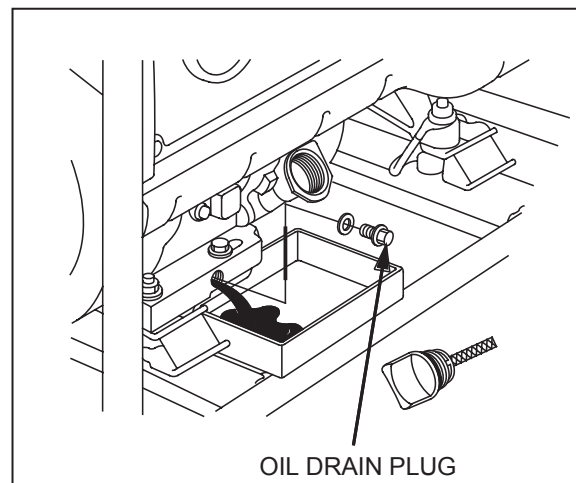
**ADVERTENCIA: LIMPIE EL ELEMENTO DEL FILTRO EN UN ÁREA BIEN VENTILADA. ASEGURARSE DE QUE NO HAYAN ELEMENTOS QUE PRODUZCAN CHISPAS NI LLAMAS EN LAS CERCANÍAS DEL LUGAR DE TRABAJO, INCLUYENDO LLAMAS PILOTO. NO USE COMBUSTIBLES NI SOLVENTES DE BAJO PUNTO DE IGNICIÓN PARA LIMPIAR EL ELEMENTO DEL FILTRO, YA QUE SE PONRÍA GENERAR UN INCENDIO O UNA EXPLOSIÓN..**



**PRECAUCIÓN: NO PONGA EL MARCHA EL MOTOR SIN EL FILTRO DE AIRE, YA QUE SE PONDRÍAN CAUSAR SERIAS AVERÍAS.**



(Fig. 1 Honda)



(Fig. 1 Subaru)

Inspeccione el estado del filtro de aire todos los días, o antes de arrancar el motor. No permite que se acumule suciedad ni residuos en el filtro, y cambiar los componentes que se encuentren dañados.

1. Incerrar la tapa de limpiador de aire y evitar los elementos.
2. Limpie los elemento:

**ELEMENTO FILTRANTE DE PAPEL:** No lave el filtro de papel ni limpiarlo con aire comprimido, ya que se pondría dañar. Simplemente golpearlo y sacudirlo con suavidad para eliminar el polvo. Cambiar el filtro de papel si estuviera dañado, doblado o muy sucio. Manejar con cuidado el filtro de papel nuevo, y no usarlo si las superficies de unión estuvieran dobladas o averiadas.

**NOTA:** Cambie el filtro de papel cada 100 horas de servicio (o con mayor frecuencia si las condiciones de servicio son extremadamente polvorrientas o sucias).

3. Reinstale el elemento de filtro de papel con aire comprimido. Cierre tapa de filtro y sujetar.

#### COMPONENTES DE EMISIÓN EVAPORADO:

La unidad que compró incluir los componentes siguientes que son de acuerdo con los Estandares de Emisión Evaporado de California Air Resources Board de 2006.

Estandares de Emisión:

1. Manguera de combustible
2. Instalaciones de Manguera de combustible
3. Del tanque de combustible y la tapa
4. Carbon Canister y soportes de montaje

Estos componenetes deben tener inspección en un base diario para grietas, agujeros y uso abnormal. Si ocurrió las grietas, agujeros o uso abnormal, reemplace los componentes inmediatamente.

#### REGULACIÓN DE VELOCIDAD DEL CONTROL DE MARCHA EN VACIO:

**NOTA:** La velocidad automática en vacío está calibrada entre 2640 y 2940 RPM.

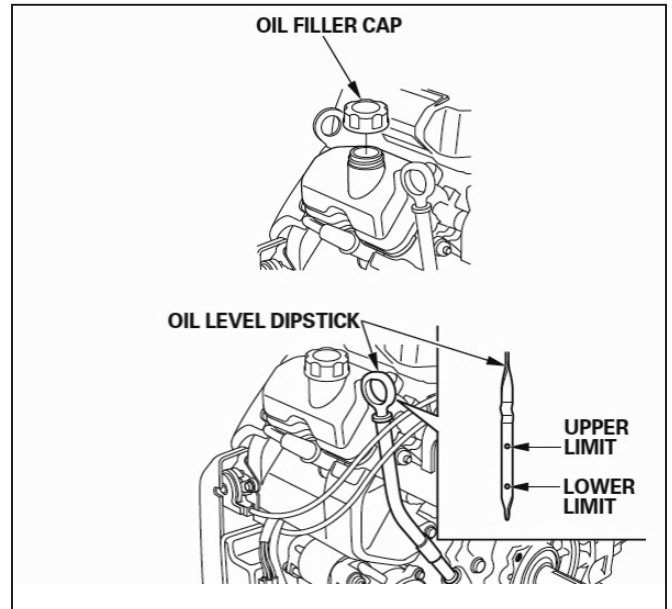
La velocidad de vacío viene regulada de fábrica y raramente necesita recalibración. Es recomendable llevar a cabo las regulaciones de este tipo en un concesionario de Mi-T-M.

Cuando se produce funcionamiento errático del motor en vacío, normalmente es indicación de que se debe regular el carburador. Si la velocidad en vacío es menor que el límite inferior recomendado o el carburador está mal regulado, el control de velocidad en vacío no funcionará normalmente.

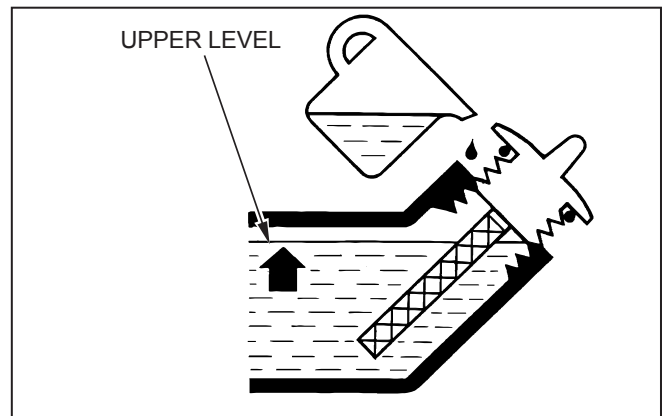
#### TENGA SERVICIO PARA SU UNIDAD DE UN CONCESIONARIO AUTHORIZADO DE MI-T-M.

REGISTRO DE PRUEBAS DE DISYUNTORES DE FALLA A TIERRA:

Al igual que otros dispositivos de seguridad, el GFCI incorporado a estos generadores requiere una inspección mensual para comprobar que funcione correctamente. Para someter el GFCI a prueba, siga las instrucciones y registre la fecha de la prueba en el cuadro que véase la ilustración



(Fig. 2 Honda)



(Fig. 2 Subaru)

más abajo.

1. Ponga el conmutador de control de marcha lenta en la posición <<START>> (arranque) (Si se encuentra equipado de esta manera). A continuación, oprima el botón <<TEST>> (prueba), lo cual hará que se levante el botón >><<RESET>> (posición inicial). Esto interrumpirá el suministro de electricidad hacia ambos toma corrientes del enchufe doble. Compruebe la interrupción una lámpara en cada tomacorrientes.



**ADVERTENCIA: SI EL BOTÓN DE COLOCAR NO SALTE AFUERA, NO USE EL RECIPIENTE(S). VEA UN CONCESIONARIO AUTORIZADO DE MI-T-M PARA SERVICIO INMEDIATAMENTE.**

2. Si el resultado de la prueba indica que el GFCI funciona correctamente, conéctelo nuevamente a la electricidad presionando FIRMEMENTE el botón <<RESET>> (posición inicial) hasta que escuche con claridad un clic o sienta que ha vuelto a caer en posición.
3. La alta vibración o el efecto de cargas mecánicas severas pueden hacer que el GFCI se dispare. SI EL GFCI SE DISPARA POR SI MISMO EN CUALQUIER MOMENTO, vuelva a ponerlo en la posición inicial y póngalo a prueba según se indica en los puntos anteriores 1 y 2.
4. Para el segundo disyuntor de falla a tierra, repetir los pasos 1 a 3.



**ADVERTENCIA: AUNQUE LOS PROCEDIMIENTOS DE EXAMEN ARRIBA INDICARÁN OPERACIÓN CORRECTO EN UN GENERADOR BAJO TIERRA O A TIERRA INCORRECTO, EL GENERADOR TIENE QUE TOMAR A TIERRA DE INSTRUCCIONES DE CONEXIÓN A TIERRA QUE ESTÁ EN UNALISTA DE PAGIÑA 82 PARA GFCI OPERE CORRECTO Y PARA PROTEJAR EL USADOR DE FALLAS ELÉCTRICAS.**

Año	Ene.	Feb.	Mar.	Apr.	Mayo	Jun.	Jul.	Ago.	Sep.	Oct.	Nov.	Dic.

**NOTA:** Existen casos en los que el GFCI no ofrece protección contra el peligro de contacto con la electricidad, EJEMPLO: Si una persona toca dos conductores o más de un cordón eléctrico defectuoso y no se encuentra en contacto con la tierra, puede entonces experimentar un contacto con la electricidad. Dado que no existe una vía para que pase la corriente de pérdida a tierra, el GFCI no funcionará y puede ocasionar daños graves.

El GFCI es simplemente una característica de seguridad adicional. No existe ningún dispositivo que pueda reemplazar las buenas medidas de seguridad en las tareas eléctricas y el mantenimiento adecuado de los cables, del equipo y de las conexiones.

## MAINTENANCE

### LIMPIEZA Y CALIBRACIÓN DE LUZ DE BUJÍA:

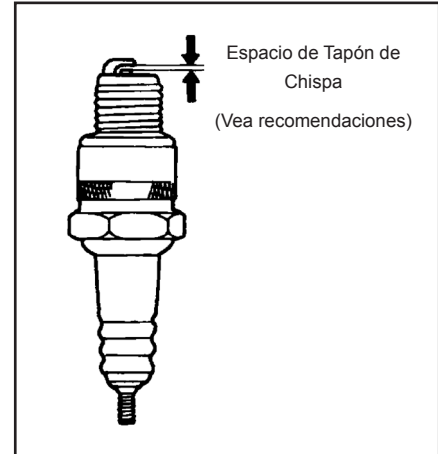
Si tapón sea contaminado con carbono, lo evite usando una limpieza de tapón o cepilla de alambre.

Revise espacio de chispero y colocar si es necesario. Los espacios de chispero están en una lista abajo. Para cambiar el espacio, torcer sólo el lado-electrodo, usando herramienta de chispero. (Fig. 3)

Instale y aprete el chispero. Conecte el cable de chispero.

Chispero Recomendado:

MOTOR	SUBARU	HONDA
CHISPERO	NGK BPR6ES	ZFR5F
ESPACIO DE CHISPER	0.7 Milímetros (0.03 pulgadas)	0.7 Milímetros (0.03 pulgadas)
ESFUERZO DE TOR-SIÓN NUEVO	8.7-10.9 pie-libra	1/2 vuelta para comprimir la arandela
ESFUERZO DE TOR-SIÓN REAPRETE	16.6-19.5 pie-libra	1/8 a 1/4 de vuelta para comprimir la arandela



(Fig. 3)

**AJUSTE DE TENSIÓN DE CORREAS:** Para mantener la máxima eficiencia de su lavadora de alta presión, puede ser necesario ajustar la tensión de las correas ocasionalmente. Siga el procedimiento que se describe a continuación.

1. Quite el protector de correas y afloje las tuercas que están a los lados de la bomba. Hay un total de 4 tuercas.
2. Gire el tornillo en el sentido de las manecillas del reloj hasta observar que la correa se flexiona una 1/2 pulgada (1,3 cm) entre las poleas.
3. Apriete las tuercas laterales.
4. Ponga una regla tocando el costado de ambas poleas. Si es necesario, afloje los tornillos de una polea y muévala hacia adentro o hacia afuera para que quede correctamente alineada. Apriete los tornillos de la polia y verifique otra vez la tensión.
5. Vuelva a poner la protección y apriete los sujetadores firmemente.

Esquema de Cableado

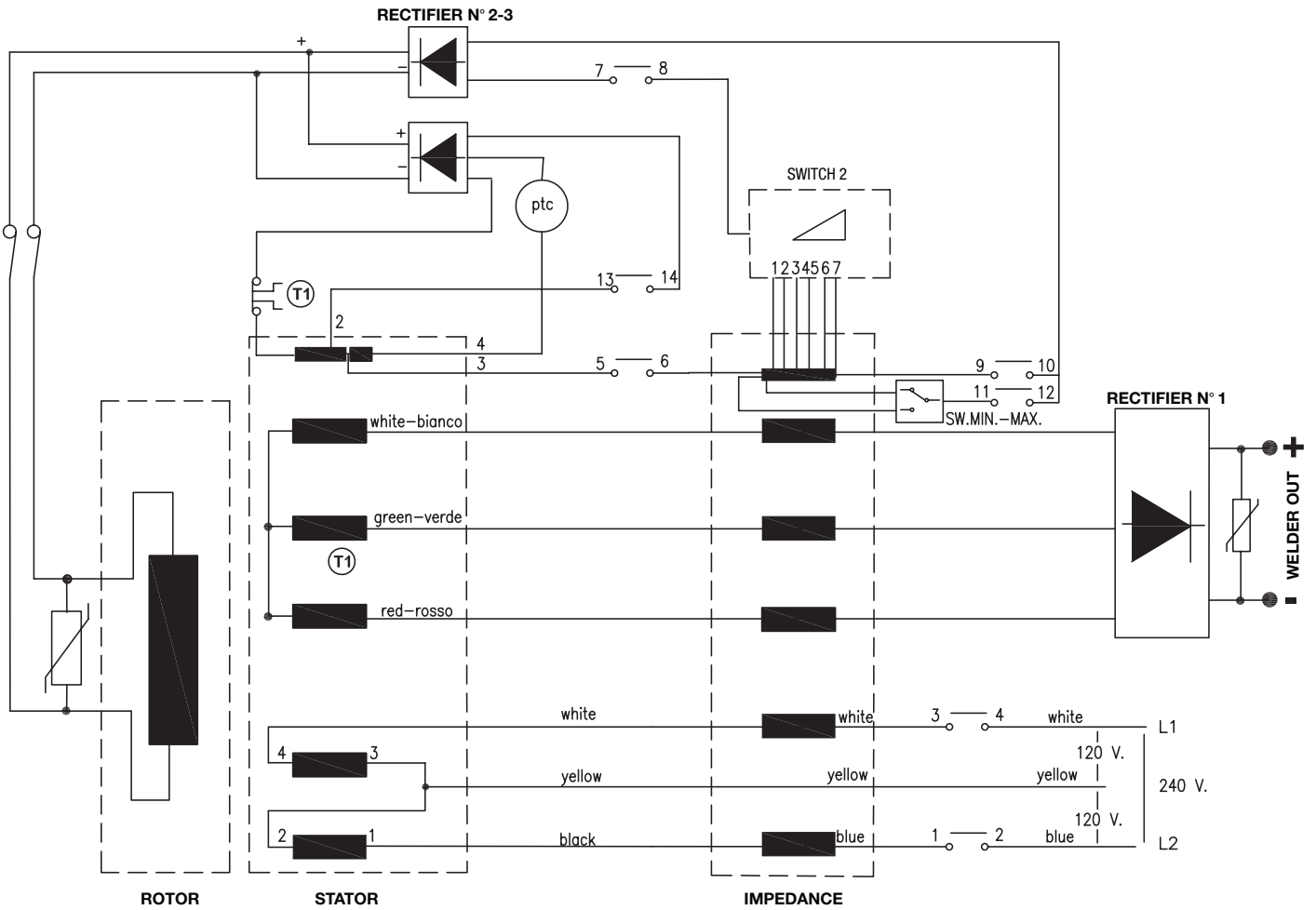




Diagrama de Cableado AGW-SR14-30M

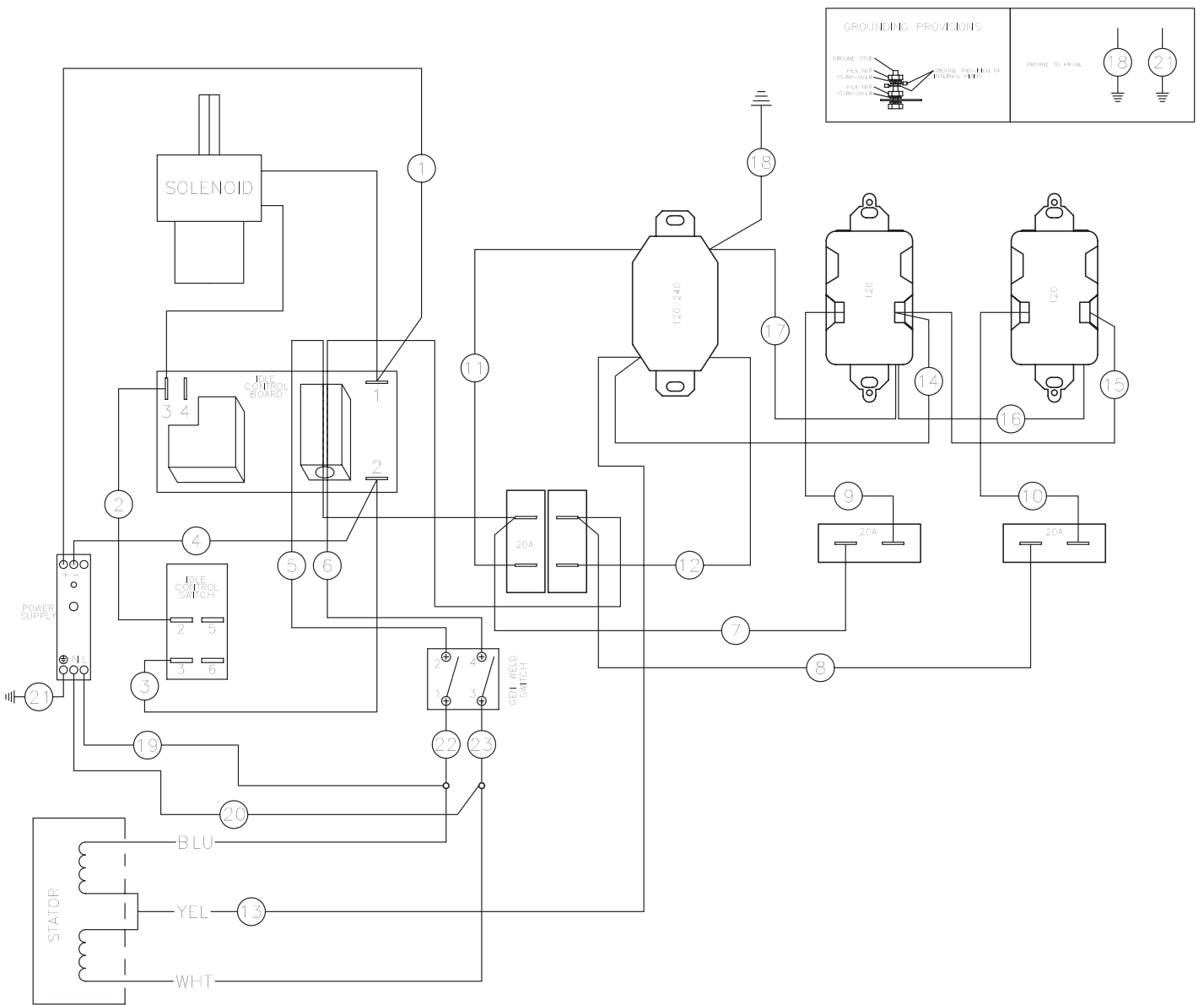
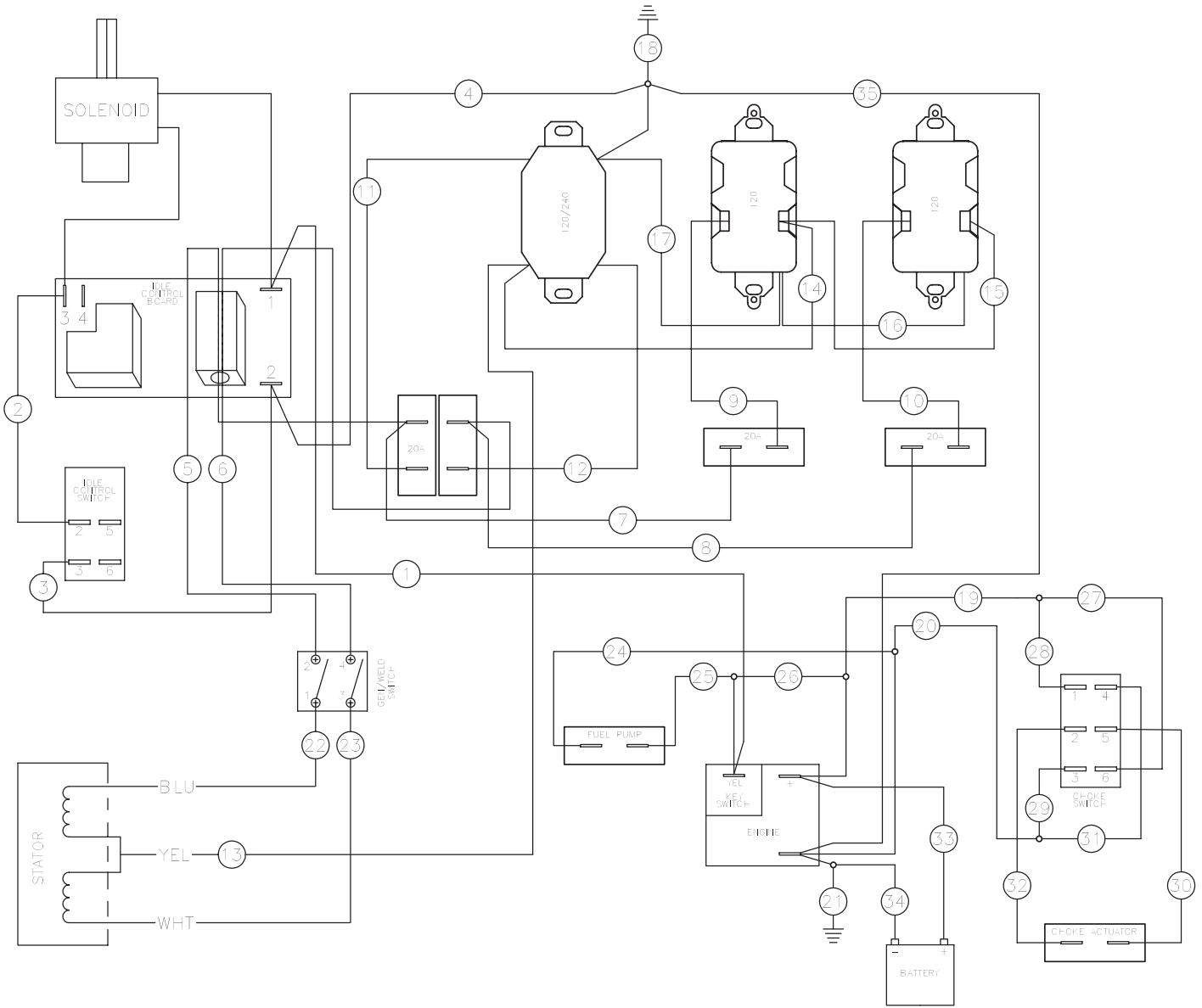


Diagrama de Cableado AGW-SH22-20M



# Almacenamiento

## ALMACENAMIENTO

### A CORTO PLAZO (1 A 6 MESES):

1. Agregue acondicionador y estabilizador de combustible, con la concentración adecuada.
2. Ponga en marcha la unidad durante dos (2) minutos para asegurar que la mezcla de combustible se distribuya en todo el circuito. Cierre la válvula de combustible y dejar en marcha la unidad hasta que se detenga.
3. Seque la bujía, ponga directamente en el cilindro una o dos cucharadas (5 a 10 centímetros cúbicos) de aceite para motor, tirar lentamente 2 o 3 veces de la cuerda del arrancador, colocar la bujía y ajustarla firmemente.
4. Limpie la superficie externa del generador y aplique una capa de inhibidor de corrosión.
5. Almacene el generador en un lugar seco y bien ventilado.

### A LARGO PLAZO (MÁS DE 6 MESES):

1. Agregue acondicionador y estabilizador de combustible, con la concentración adecuada.
2. Ponga en marcha la unidad hasta se consuma el combustible en el tanque y en el carburador. Cuando el motor está aminorando la marcha, lleve la palanca del cebador a la posición de cebado.

**NOTA:** Anular el control de marcha en vacío para reducir el tiempo en marcha.

3. Seque la bujía, poner directamente en el cilindro una o dos cucharadas (5 a 10 centímetros cúbicos) de aceite para motor, tirar lentamente 2 o 3 veces de la cuerda del arrancador, colocar la bujía y ajustarla firmemente.
4. Limpie la superficie externa del generador y aplique una capa de inhibidor de corrosión.
5. Almacene el generador en un lugar seco y bien ventilado.



**ADVERTENCIA: VACIE EL COMBUSTIBLE EN UN ÁREA BIEN VENTILADA Y GUARDARLO EN UN RECIPIENTE APROBADO PARA DICHO USO.**

# Especificaciones

## ESPECIFICACIONES

ARTÍCULO	ESPECIFICACIÓN	
	AGW-SR14-30M	AGW-SH22-20M
Motor.....	Subaru.....	Honda
Modél.....	EX40.....	GX690
Aceite.....	1.19 L.....	1.99 L
Vatios con el compresor.....	5000.....	5000
Vatios sin el compresor.....	4500.....	4500
Vatios con el compresor.....	@100 PSI- 3000.....	@100 PSI- 4500
Vatios con el compresor.....	@150 PSI- 2500.....	@150 PSI- 4500
Tension nominal.....	120 V.....	120 V
Frecuencia.....	60 Hz.....	60 Hz
Bomba Compresor.....	Doble Fase.....	Doble Fase
Aceite.....	0.73 L.....	1.42 L
Depósito Aire.....	113.5 L.....	88 L
Presión máximo.....	175 PSI.....	175 PSI

## ANOTE NÚMERO SERIE

Escriba número de modelo, numero serie de máquina (vea etiqueta de número serie (A) en ilustración y fecha de compra en espacios abajo. Su concesario necesita esta información cuando ordenando partes.

Num. de modelo \_\_\_\_\_

Num. serie de máquina \_\_\_\_\_

Fecha de compra \_\_\_\_\_

(llene de comprador)



## DECLARACIÓN DE GARANTÍA

Mi-T-M garantiza que todas las piezas (excepto aquellas a las que se hace referencia abajo), de su nueva generador libres de defectos en materiales y mano de obra durante los periodos siguientes:

Por dos (2) años a partir de la fecha original de compra:

Bomba de Compresor    Cañerías  
Generador                      Asamblea de Tanque

Por seis (6) mes a partir de la fecha original de compra:

Interruptor de Presión    Reguladores  
Válvula de revisar              Válvula de piloto  
Linea de cobre/acero inoxidable

Por noventa (90) días a partir de la fecha original de compra:

Indicadores de presión              Válvula de alivio de seguridad  
Válvulas de desagüe

Las piezas defectuosas que no están sujetas a deterioro causado por el uso serán reparadas o reemplazadas a nuestra opción durante el periodo de garantía. En todo caso, el reembolso está limitado al precio de compra pagado.

## EXCLUSIONES

1. El motor está cubierto bajo una garantía separada proporcionada por el fabricante respectivo y está sujeta a los términos en ella establecidos.
2. Partes de desgaste normal:  
Aisladores                      Filtro de aire
3. Esta garantía no cubre las piezas dañadas debido al deterioro normal causado por el uso, mala aplicación, mal uso, operación a velocidades, presiones o temperaturas diferentes a las recomendadas. Las piezas dañadas o gastadas a causa del uso de líquidos cáusticos o por la operación en medios ambientes abrasivos o corrosivos o bajo condiciones que causan cavitación de la bomba no están garantizadas. La falla en seguir los procedimientos recomendados de operación y mantenimiento también cancela la garantía.
4. Cobras de trabajar, peridio o daño resultando de operación mala, mantenimiento (otro de descarga de tanque de aire rutina y cambios de aceite si aplica) o reparaciones hace por personas otro de Mi-T-M Centro de servicio autorizado.
5. El uso de piezas de repuesto diferentes a las genuinas Mi-T-M cancelará la garantía. Las piezas devueltas, con franqueo pagado a un Centro de Servicio Autorizado Mi-T-M serán inspeccionadas y reemplazadas, libre de cargos, si se determina que están defectuosas y sujetas a la garantía. No existen garantías que se extiendan más allá de la descripción contenida aquí. Bajo ninguna circunstancia Mi-T-M será responsable por la pérdida de uso de la unidad, pérdida de tiempo, inconvenientes, pérdida comercial o daños consecuentes.

PARA SERVICIO O CONSIDERACION DE LA GARANTIA CONSULTE CON:

Mi-T-M® Corporation/50 Mi-T-M Drive, Box 50/Peosta, IA 52068-0050

Telefono: 563-556-7484 / 800-553-9053 / Fax 563-556-1235

Lunes - Viernes 8:00 a.m. - 5:00 p.m. CST

## **DECLARACION DE COBERTURA DE EMISIONES DE CALIFORNIA SUS DERECHOS DE GARANTIA Y OBLIGACIONES**

La Tabla de Recursos Aéreos de California y MI-T-M están felices para explicar la garantía de sistema de control de emisiones en su 2016 modelo del pequeño motor todoterreno (PMT). En California, Pequeños Motores Todoterreno (PMTs) nuevos tienen que ser diseñados, construidos y equipados para conformar a los estándares rigurosos de no-niebla con humo del estado. Mi-T-M debe justificar el sistema de control de emisiones en su PMT por los períodos de tiempo indicados abajo a condición que no ha habido abuso, negligencia ni el mantenimiento impropio de su PMT.

Su sistema de control de emisiones puede incluir partes como el carburador, sistema de inyección de combustible, sistema de ignición, catalizador, tanques de combustible, líneas de combustible, capas de combustible, válvulas, botes, filtros, mangueras de vapor, abrazaderas, conectores, cinturones, y otros componentes asociados relatados a la emisión. Donde existe una condición de la garantía, Mi-T-M reparará su PMT en ningún costo a usted, incluyendo diagnóstico, las piezas, y trabajo.

### **COBERTURA DE GARANTIA DE FABRICANTE**

Este sistema de control de emisiones tiene garantía durante dos años. Si cualquier parte que está relacionada a emisiones en su motor pequeño todo terreno / equipo es defectuosa, la parte será reparada o será reemplazada por Mi-T-M.

### **RESPONSABILIDADES DE GARANTIA DEL PROPIETARIO**

- Como el propietario del Pequeño Motor Todoterreno, usted es responsable de la ejecución del mantenimiento necesario indicado en su manual de propietario. Mi-T-M recomienda que usted retenga todos recibos sobre el mantenimiento de su PMT, pero Mi-T-M no puede negar de garantía solo para la falta de recibos.
- Como el propietario del Pequeño Motor Todoterreno, usted debe saber que Mi-T-M puede negar cobertura de garantía si su Pequeño Motor Todoterreno o una pieza ha fracasada a causa de abuso, negligencia o el mantenimiento impropia o las modificaciones desaprobadas.
- Usted es responsable de presentar su Pequeño Motor Todoterreno al centro de distribución o centro de reparaciones autorizado por Mi-T-M Corporation, 50 Mi-T-M Drive, Peosta, IA 52068 (Mi-T-M) en pronto que un problema exista. Las reparaciones de garantía deben ser completadas en una cantidad razonable de tiempo, no exceder 30 días.

Si usted tiene una pregunta con respecto a su cobertura de garantía, usted debe contactar el Departamento de Servicio para Clientes de Mi-T-M en 1-800-553-9053 o por correo electrónico a corp@mitm.com.

## **COBERTURA GENERAL DE GARANTIA DE EMISIONES**

### **-Sólo California-**

Mi-T-M justifica al último comprador y cada comprador subsiguiente que el Pequeño Motor Todoterreno PMT (1) ha sido diseñado, construido y equipado para conformarse con todas regulaciones aplicables; y (2) es libre de defectos en materias y disfraz que causa el fracaso de una pieza garantizado conformarse con esas regulaciones como puede ser aplicable a los términos y condiciones que son indicados abajo.

- (a) El período de garantía empieza en la fecha que el motor está entregado a un último comprador o cuando está primero puesto en servicio. El período de garantía es dos años.
- (b) Sujeto a ciertas condiciones y exclusiones como indicadas abajo, la garantía de piezas relatadas a emisiones es el siguiente:
  - (1) Cualquier pieza garantizada que no está programado para el reemplazo como mantenimiento necesario en su manual de propietario está garantizado para el período de garantía indicado arriba. Si la pieza fracasa durante el período de cobertura de garantía, la pieza será reparada o será reemplazada por Mi-T-M según la subdivisión (4) abajo. Cualquiera pieza reparada o reemplazada bajo la garantía será garantizada para el resto del periodo.
  - (2) Cualquier pieza garantizada que está programada sólo para inspección regular en su manual de propietario está garantizada para el período de garantía indicada arriba. Cualquiera pieza reparada o reemplazada bajo la garantía será garantizada por el resto del período de garantía.
  - (3) Cualquier pieza garantizada que está programada para el reemplazo como mantenimiento necesario en su manual de propietario está garantizado para el período del tiempo antes de la primera fecha planificada de reemplazo para esa pieza. Si la pieza fracasa antes del primer reemplazo planificado, la pieza será reparada o será reemplazada por Mi-T-M según la subdivisión (4) abajo. Cualquiera pieza reparada o reemplazada bajo la garantía será garantizada por el resto del período de garantía antes del primer punto planificado de reemplazo para la pieza.
  - (4) Reparación o el reemplazo de alguna pieza garantizada bajo las provisiones de garantía en este debe ser realizado en una estación de garantía sin cargo al propietario.
  - (5) Sin perjuicio de lo dispuesto en esta, los servicios de garantía y de reparación serán proporcionados en todos nuestros centros de distribución que tengan la franquicia para atender a los motores sujetos.
  - (6) El propietario no debe ser cargado para trabajo diagnóstico que lleva a la determinación que una pieza garantizada es de hecho defectuosa, con tal de que el trabajo diagnóstico sea realizado en una estación de garantía.

- (7) Mi-T-M es responsable de daños a la proximidad a otros componentes de motor causado por un fracaso bajo garantía de alguna pieza garantizada.
- (8) A través del período de garantía de motor que está indicado arriba, Mi-T-M mantendrá un suministro de piezas garantizadas suficientes para satisfacer la demanda esperada para tales partes.
- (9) Cualquier pieza reemplazada puede ser utilizada en la ejecución de cualquier mantenimiento de garantía o reparaciones y debe ser proporcionado sin cargo al propietario. Tal uso no reducirá las obligaciones de garantía de Mi-T-M.
- (10) Las piezas añadidas o modificadas que no están eximidas por la Tabla de Recursos Aéreos no pueden ser utilizadas. El uso de cualquier pieza añadida o modificada que no está eximida por el último comprador será razón para no permitir o aceptar un reclamo de la garantía. Mi-T-M no será responsable a garantizar los fracasos de piezas garantizadas causados por el uso de una pieza añadida o modificada que no está eximida.

(C) Piezas que tienen Garantía

La reparación o el reemplazo de cualquier parte garantizada de otro modo elegible para la cobertura de garantía pueden ser excluidos de tal cobertura de garantía si Mi-T-M demuestra que el motor ha sido abusado, descuidado, o mantenido incorrectamente, y que el abuso, negligencia, o mantenimiento impropio fue el causo directo de la necesidad para la reparación o reemplaza de la pieza. Sin embargo, cualquier ajuste de un componente que tiene un dispositivo de la limitación de ajuste que ha sido instalado por la fábrica y está funcionando apropiadamente todavía está elegible para la cobertura de la garantía. Las siguientes piezas de garantía de emisiones están garantizadas:

- (1) Sistema de Medir Combustible
  - (A) Carburador y partes internos (y/o el regulador de presión o sistema de inyección)
  - (B) Retroalimentación de Aire/Combustible y sistema de control, si aplicable
  - (C) Sistema de enriquecimiento del comienzo frío, si aplicable
  - (D) Regulador (combustible que es gaseoso), si aplicable
- (2) Sistema de Inducción de Aire
  - (A) Colector de admisión, si aplicable
  - (B) Filtro de Aire
  - (C) Sistema de toma de aire caliente controlado
- (3) Sistema de Ignición
  - (A) Bujías
  - (B) Magnético o sistema de ignición electrónica
  - (C) Sistema de avance/retarda de chispa, si aplicable
- (4) Colector de escape, si aplicable
- (5) Sistema de Evaporación
  - (A) Línea de Combustible
  - (B) Accesorios de línea de combustible
  - (C) Tanque de combustible y la tapa
  - (D) Botes de carbono y soportes de montaje
- (6) Sistema de Recirculación de Gas de Escape (RGE)
  - (A) RGE cuerpo de válvula, y espaciador de carburador si aplicable
  - (B) RGE retroalimentación de velocidad y sistema de control
- (7) Sistema de Inyección de Aire
  - (A) Bomba de aire o válvula de pulso
  - (B) Válvulas que afectan distribución de flujo
  - (C) Colector de distribución
- (8) Catalizador o Sistema de Reactor Termal
  - (A) Catalizador.
  - (B) Reactor Termal
  - (C) Colector de Gases de Escape
- (9) Controles de Partículas
  - (A) Las trampas, los filtros, precipitadores, y cualquier otro dispositivo usado capturar emisiones de partículas.
- (10) Artículos Diversos Usados en los Sistemas de Arriba
  - (A) Controles electrónicos
  - (B) Vacío, temperatura, y válvulas e interruptores sensibles al tiempo
  - (C) Mangueras, cinturones/bandas, conectores, y ensamblajes

Manufactured by Mi-T-M  
50 Mi-T-M Drive, Peosta IA 52068  
563-556-7484/ Fax 563-556-1235