



OPERATOR'S MANUAL FOR  
***HSE-SERIES***  
***HOT WATER***  
PRESSURE WASHERS



**CAUTION**

**RISK OF INJURY!**

**READ MANUAL BEFORE OPERATING!**

This manual is an important part of the pressure washer and must remain with the unit when you sell or rent it!

# TABLE OF CONTENTS

<b>INTRODUCTION</b> .....	<b>3</b>
<b>IMPORTANT SAFETY WARNINGS</b> .....	<b>4-7</b>
RISK OF ELECTRIC SHOCK OR ELECTROCUTION .....	4
RISK OF EXPLOSION OR FIRE .....	5
<b>RISK OF ASPHYXIATION</b> .....	<b>5</b>
RISK OF INJECTION OR SEVERE CUTTING INJURY .....	6
RISK OF BURNS .....	6
RISK OF BURSTING .....	6
RISK FROM MOVING PARTS .....	6
RISK OF BODILY INJURY .....	7
<b>FEATURES</b> .....	<b>8-13</b>
HSE-SMALL FRAME WITH FLOAT TANK.....	8-9
HSE-SMALL FRAME WITH DIRECT FEED .....	10-11
HSE-LARGE FRAME.....	12-13
<b>INSTALLATION &amp; PREPARATION</b> .....	<b>14-17</b>
ATTIRE.....	14
SETUP .....	14
POWER CORD CONNECTION.....	14-15
BURNER FUEL TANK.....	15
ADJUSTABLE PRESSURE DUAL LANCE .....	16
DUAL LANCE CONNECTION .....	16
WATER SUPPLY .....	16
UNLOADER .....	17
THERMAL RELIEF VALVE .....	17
PRE-START INSPECTION PROCEDURES.....	17
<b>NOTES</b> .....	<b>18</b>
<b>OPERATING INSTRUCTIONS</b> .....	<b>20-22</b>
FLUSHING THE SYSTEM .....	20
START-UP/COLD WATER OPERATION .....	20
HOT WATER OPERATION .....	21
STEAM OPERATION.....	21
CLEANING WITH DETERGENTS .....	21
SHUTDOWN.....	22
<b>STORAGE &amp; MAINTENANCE</b> .....	<b>22-24</b>
SPECIFIC MAINTENANCE .....	22
WINTERIZING .....	23-25
TROUBLESHOOTING .....	25-27
<b>MAINTENANCE CHART</b> .....	<b>28</b>
<b>OPTIONS</b> .....	<b>29</b>
<b>ACCESSORIES</b> .....	<b>30</b>
<b>STATEMENT OF WARRANTY</b> .....	<b>31</b>

## **WARNING**

**Warning:** This product contains lead, a chemical known to the State of California to cause birth defects or other reproductive harm.

*Wash your hands after handling this product.*

## **WARNING**

This product contains one or more chemicals known to the State of California to cause cancer and birth defects or other reproductive harm.

## INTRODUCTION

Congratulations on the purchase of your new Mi-T-M HSE-Series hot water pressure washer! You can be assured your hot water pressure washer was constructed and designed with quality and performance in mind. Each component has been rigorously tested to ensure the highest level of acceptance.

This operator's manual was compiled for your benefit. By reading and following the simple safety, installation, operation, maintenance and troubleshooting steps described in this manual, you will receive years of trouble free operation from your new Mi-T-M HSE-Series hot water pressure washer. The contents of this manual are based on the latest product information available at the time of publication. Mi-T-M reserves the right to make changes in price, color, materials, equipment, specifications or models at any time without notice.

### **! IMPORTANT !**

These paragraphs are surrounded by a "SAFETY ALERT BOX". This box is used to designate and emphasize Safety Warnings that must be followed when operating this pressure washer. Accompanying the Safety Warnings are "signal words" which designate the degree or level of hazard seriousness. The "signal words" used in this manual are as follows:

**DANGER:** Indicates an imminently hazardous situation which, if not avoided, **WILL** result in death or serious injury.

**WARNING:** Indicates a potentially hazardous situation which, if not avoided, **COULD** result in death or serious injury.

**CAUTION:** Indicates a potentially hazardous situation which, if not avoided **MAY** result in minor or moderate injury.



The symbols set to the left of this paragraph are "Safety Alert Symbols". These symbols are used to call attention to items or procedures that could be dangerous to you or other persons using this equipment.

**ALWAYS PROVIDE A COPY OF THIS MANUAL TO ANYONE USING THIS EQUIPMENT. READ ALL INSTRUCTIONS BEFORE OPERATING THIS PRESSURE WASHER AND ESPECIALLY POINT OUT THE "SAFETY WARNINGS" TO PREVENT THE POSSIBILITY OF PERSONAL INJURY TO THE OPERATOR.**

Once the unit has been removed from the box, immediately write in the serial number of your unit in the space provided below.

SERIAL NUMBER \_\_\_\_\_

Inspect for signs of obvious or concealed freight damage. If damage does exist, file a claim with the transportation company immediately. Be sure that all damaged parts are replaced and that the mechanical and electrical problems are corrected prior to operation of the unit. If you require service, contact Mi-T-M Customer Service.

CUSTOMER SERVICE  
CALL OUR TOLL-FREE NUMBER  
for the Sales or Service Center nearest you!  
800-553-9053

Please have the following information available for all service calls:


1. Model Number
2. Serial Number
3. Date and Place of Purchase



# SAFETY WARNINGS

WARNING: When using this product, basic precautions should always be observed, including the following.  
READ ALL SAFETY WARNINGS BEFORE USING PRESSURE WASHER



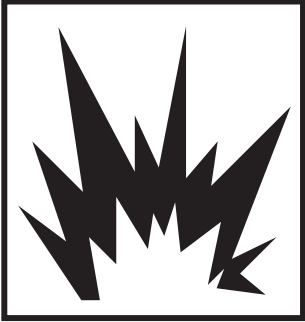


HAZARD	POTENTIAL CONSEQUENCE	PREVENTION
<p data-bbox="167 216 444 310"><b>RISK OF ELECTRIC SHOCK OR ELECTROCUTION</b></p> 	<p data-bbox="532 216 943 380">Serious injury or death could occur if the pressure washer is not properly grounded. Your pressure washer is powered by electricity and may cause electric shock or electrocution if not used properly.</p> <p data-bbox="532 852 914 905">Electrical shock may occur from electrical cord.</p> <p data-bbox="532 1283 919 1360">Electrical shock may occur if pressure washer is not operated properly.</p> <p data-bbox="532 1583 956 1661">Serious injury or death may occur if electrical repairs are attempted by unqualified persons.</p>	<p data-bbox="967 216 1482 405">This product must be grounded. Make sure the pressure washer is equipped with a GFCI built into the power supply cord. If this is not available, the pressure washer must be plugged into a receptacle that is protected by a GFCI. Disconnect when not in use.</p> <p data-bbox="967 428 1482 705">If your unit is equipped with a GFCI, DO NOT drop the GFCI as damage could result. If the GFCI is accidentally dropped, be certain to test the GFCI before using to ensure it is working properly. (Follow instructions on GFCI for test procedures.) Always be certain the unit is receiving proper voltage. Before plugging the unit into a compatible power source, be certain the switch is in the "OFF" position. Disconnect when not in use.</p> <p data-bbox="967 728 1482 835">Do not modify plug provided with the product. If it will not fit the outlet, have a proper outlet installed by a qualified electrician. Do not use any type of adapter.</p> <p data-bbox="967 858 1466 961">Check power cord for signs of crushing, cutting or heat damage. If replacement of plug or cord is needed, use only identical replacement parts.</p> <p data-bbox="967 984 1466 1037">Do not use extension cords with this pressure washer.</p> <p data-bbox="967 1060 1482 1188">Keep all connections dry and off the ground. Do not allow electrical cords to lay in water or in such a position where water could come in contact with them. Do not touch plug with wet hands.</p> <p data-bbox="967 1211 1474 1264">Do not pull on the electrical cord to disconnect from the outlet.</p> <p data-bbox="967 1287 1450 1390">Do not direct spray on or into electrical installations of any kind! This includes electrical outlets, light bulbs, fuse boxes, transformers, the unit itself, etc.</p> <p data-bbox="967 1413 1482 1491">Do not allow metal components of the pressure washer to come in contact with live electrical components.</p> <p data-bbox="967 1514 1482 1566">Never operate the pressure washer with safety guards/covers removed or damaged.</p> <p data-bbox="967 1589 1482 1717">Any electrical wiring or repairs performed on this pressure washer should be done by Authorized Service Personnel in accordance with National and Local electrical codes.</p> <p data-bbox="967 1740 1482 1948">Before opening any electrical enclosure, always shut off the pressure washer, relieve pressure and unplug the pressure washer from the power source. Allow the pressure washer to cool down. Never assume the pressure washer is safe to work on just because it is not operating. It could restart at any time! Service in a clean, dry, flat area.</p>



## SAFETY WARNINGS



WARNING: When using this product, basic precautions should always be observed, including the following.  
READ ALL SAFETY WARNINGS BEFORE USING PRESSURE WASHER

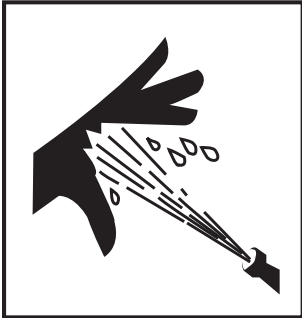



HAZARD	POTENTIAL CONSEQUENCE	PREVENTION
<p data-bbox="212 237 483 306"><b>RISK OF EXPLOSION OR FIRE</b></p>  	<p data-bbox="561 237 971 327">Serious injury or death may occur from normal sparks in the multiple ignition sources or burner exhaust.</p> <p data-bbox="561 636 971 695">Serious injury or death may occur as a result of improper fueling.</p> <p data-bbox="561 1192 971 1278">Serious injury or death may occur if system safety's are not properly maintained.</p>	<p data-bbox="1000 237 1531 359">Always operate pressure washer in a well ventilated area free of flammable vapors, combustible dust, gases or other combustible materials.</p> <p data-bbox="1000 380 1531 501">Do not store the pressure washer near an open flame or any equipment such as a stove, furnace, water heater, etc., which utilizes a pilot light or sparking device.</p> <p data-bbox="1000 522 1531 581">Do not use this pressure washer to spray flammable material!</p> <p data-bbox="1000 602 1531 627">Do not smoke while filling burner fuel tank.</p> <p data-bbox="1000 648 1531 737">Never fill the burner fuel tank while the pressure washer is running or hot. Allow to cool two minutes before refueling.</p> <p data-bbox="1000 758 1531 816">Do not refuel indoors or in a poorly ventilated area.</p> <p data-bbox="1000 837 1531 896">Always refuel slowly to avoid the possibility of spilled fuel which may cause a risk of fire.</p> <p data-bbox="1000 917 1211 942">Burner Fuel Tank:</p> <p data-bbox="1000 963 1531 1043">Use No. 1 or No. 2 fuel oil/diesel or kerosene. Do not use gasoline, crankcase drainings or oil containing gasoline or solvents.</p> <p data-bbox="1000 1064 1531 1186">Do not operate the unit if diesel fuel is spilled. Wipe the pressure washer clean and move it away from the spill. Avoid creating any ignition until the diesel fuel has evaporated.</p> <p data-bbox="1000 1207 1531 1358">This pressure washer has a Safety Relief device which should never be altered, modified, removed or made inoperative. If the device fails, replace immediately with only genuine manufacturer replacement part.</p>
<p data-bbox="245 1423 443 1482"><b>RISK OF ASPHYXIATION</b></p> 	<p data-bbox="561 1423 971 1509">Serious injury or death may occur from inhaling burner exhaust or dangerous vapors.</p>	<p data-bbox="1000 1423 1531 1671">Never operate this pressure washer in an enclosed area. Always make certain there is adequate ventilation (fresh outside air) for breathing and combustion. This will prevent the buildup of dangerous carbon monoxide gases. Beware of poorly ventilated areas, or areas with exhaust fans which can cause poor air exchange.</p> <p data-bbox="1000 1734 1531 1885">Follow all safety instructions provided with the materials you are spraying. Use of a respirator may be required when working with some materials. Do not use this pressure washer to dispense hazardous detergents.</p>



# SAFETY WARNINGS

READ ALL SAFETY WARNINGS BEFORE USING PRESSURE WASHER




HAZARD	POTENTIAL CONSEQUENCE	PREVENTION
<p><b>RISK OF INJECTION OR SEVERE CUTTING INJURY</b></p> 	<p>Serious injury or death could occur from high pressure spray penetrating the skin.</p>	<p>Keep clear of nozzle and spray! Never put your hand, fingers or body directly over the spray nozzle.</p> <p>Do not direct discharge stream at persons or self.</p> <p>This product is to be used only by trained operators.</p> <p>Always keep operating area clear of all persons.</p> <p>Close supervision is necessary when used near children. <b>DO NOT</b> allow children to operate this unit!</p> <p><b>SEEK EMERGENCY MEDICAL CARE</b> if the spray appears to have penetrated the skin! <b>DO NOT TREAT AS A SIMPLE CUT!!</b></p> <p>High pressure hoses and fuel lines should be inspected daily for signs of wear. If evidence of failure exists, promptly replace all suspect hoses and fuel lines to prevent the possibility of injury from the high pressure spray. If a hose or fitting is leaking, <b>NEVER PLACE YOUR HAND DIRECTLY ON THE LEAK.</b></p> <p><b>NEVER</b> operate the gun with the trigger wired in the open position. To prevent accidental discharge, the trigger gun should be securely locked when not in use.</p> <p>Before removing the spray nozzle or servicing the unit, <b>ALWAYS</b> shut off the unit and trigger the gun to release trapped pressure. (Even after you shut off the unit, there is high pressure water left in the pump, hose and gun until you release it by triggering the gun.)</p>
<p><b>RISK OF BURNS</b></p> 	<p>Serious injury may occur from touching the heat exchanger. This area can remain hot for some time after the pressure washer is shutdown.</p>	<p>Never allow any part of your body to contact the heat exchanger.</p> <p>Do not leave unit unattended after shutdown until it is completely cooled down as described in the "SHUTDOWN" procedures listed on page 20 of this manual.</p>
<p><b>RISK OF BURSTING</b></p> 	<p>Serious injury may occur from a pressure washer malfunction or exploding accessories if incorrect system components, attachments or accessories are used.</p> <p>Serious injury or death may occur if attempting to start the pressure washer when the pumping system is frozen.</p>	<p>Never make adjustments to the factory set pressures.</p> <p>Never exceed manufacturers maximum allowable pressure rating of attachments.</p> <p>Do not allow any hoses to make contact with heat exchanger to prevent the possibility of bursting. Avoid dragging the hoses over abrasive surfaces such as cement.</p> <p>Use only manufacturer recommended repair parts for your pressure washer.</p> <p>In freezing temperatures, the unit must always be warm enough to ensure there is no ice formation in the pump. Do not start the pressure washer if it has been transported in an open or underheated vehicle without first allowing the pump to thaw.</p>
<p><b>RISK FROM MOVING PARTS</b></p> 	<p>Serious injury may occur to the operator from moving parts on the pressure washer.</p>	<p>Never make adjustments to the unit while it is connected to the power source.</p> <p>Do not operate the unit without all protective covers in place.</p> <p>Follow the maintenance instructions specified in the manual.</p>



# SAFETY WARNINGS

READ ALL SAFETY WARNINGS BEFORE USING PRESSURE WASHER



HAZARD	POTENTIAL CONSEQUENCE	PREVENTION
<p><b>RISK OF BODILY INJURY</b></p> 	<p>Serious injury or death may occur from detergents contacting the skin.</p> <p>Serious injury can occur from loose debris being propelled at a high speed from the spray gun.</p> <p>Injury may occur if the operator loses his balance caused by the thrust of water traveling through the spray nozzle.</p> <p>Injury may occur from the pressure washer.</p>	<p>SEEK EMERGENCY MEDICAL CARE if you are using cleaning agents and the spray appears to have penetrated the skin! <b>DO NOT TREAT AS A SIMPLE CUT!</b> Be prepared to tell a physician exactly what kind of detergents you were using by reading the Material Safety Data Sheet (MSDS) provided with your detergent.</p> <p>Never use any solvents or highly corrosive detergents or acid type cleaners with this pressure washer.</p> <p>Protective equipment such as rubber suits, gloves and respirators are advisable, especially when using cleaning detergents.</p> <p>Keep all detergents out of the reach of children!</p> <p>ALWAYS wear protective goggles when operating the unit to shield the eyes from flying debris and detergents.</p> <p>DO NOT direct spray toward fragile materials such as glass for shattering could occur.</p> <p>If the pressure washer is equipped with an Auto start/stop feature, the unit will shutdown until the gun is triggered. To prevent accidental high pressure discharge, do not leave unit unattended while in this mode.</p> <p>Stay alert-watch what you are doing. Do not operate the unit when fatigued or under the influence of alcohol or drugs.</p> <p>NEVER squeeze the trigger unless securely braced.</p> <p>DO NOT overreach or stand on unstable support. Keep good footing and balance at all times.</p> <p>Wet surfaces can be slippery, wear protective foot gear and keep good footing and balance at all times.</p> <p>NEVER trigger the gun while on a ladder or roof.</p> <p>ALWAYS hold on firmly to the gun/lance assembly when starting and operating the unit. Failure to do so can cause the lance to fall and whip dangerously.</p> <p>Know how to stop the pressure washer and bleed pressures quickly. Be thoroughly familiar with controls.</p> <p>DO NOT leave pressurized unit unattended. Shut off the pressure washer and release trapped pressure before leaving.</p> <p>DO NOT operate the unit if you see any fuel, oil or water leaks from the machine. DO NOT resume operation until the unit has been inspected and repaired by a qualified service person.</p> <p>Place unit in a clean, dry, flat area for servicing. Before servicing the unit: turn the unit off, relieve the water pressure from the trigger gun, and allow the unit to cool down. Service in clean, dry, flat area. If applicable, block wheels to prevent unit from moving.</p> <p>Do not move the unit by pulling on the hose.</p>

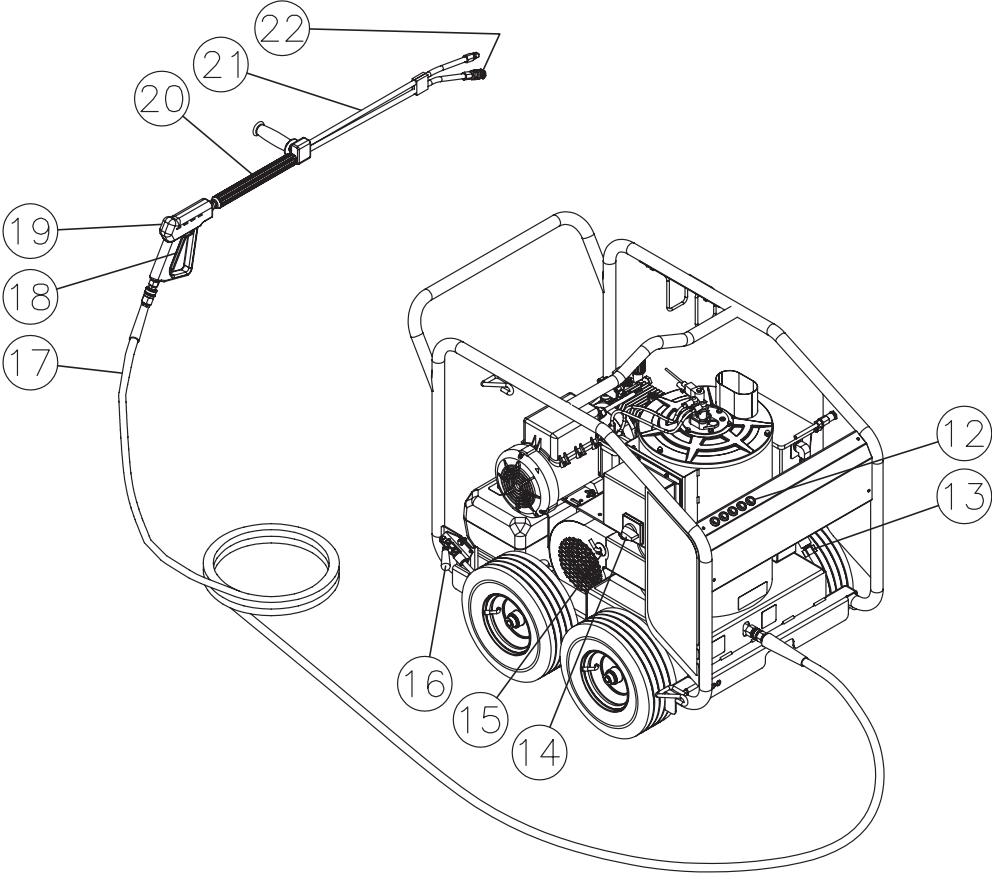
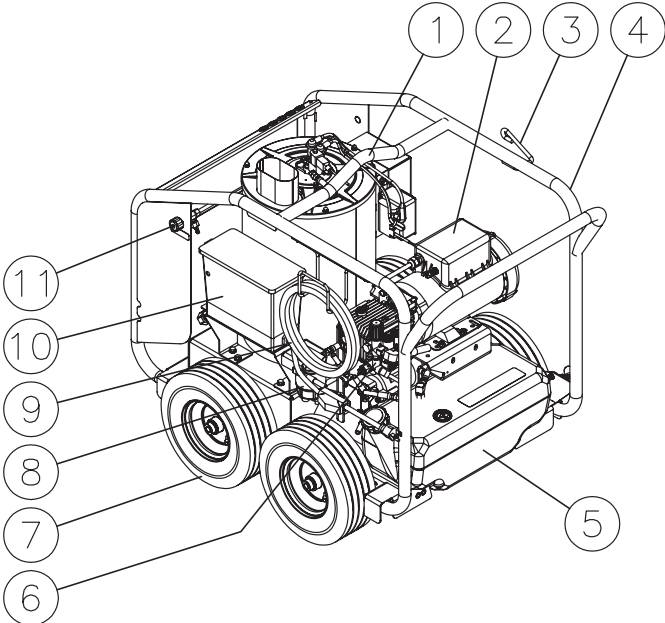


**!SAVE THESE INSTRUCTIONS!**





HSE-SMALL FRAME WITH FLOAT TANK FEATURES



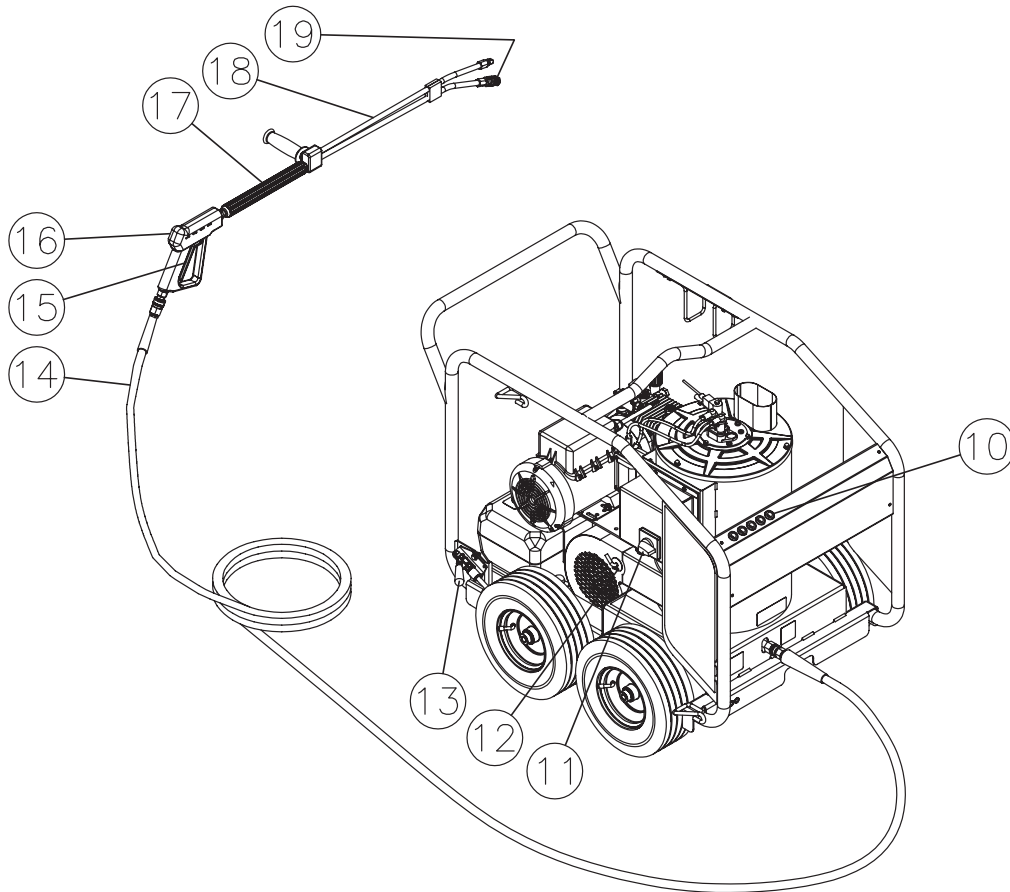
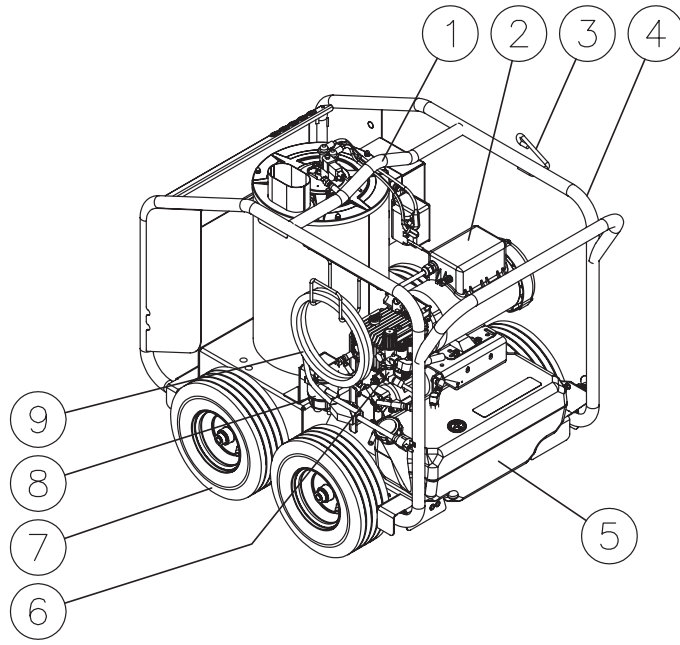
HSE SMALL FEATURES \_WITH FLOAT TANK 022713



## FEATURES LISTING

1. Center Balanced Lifting Eye
2. TEFC Pump Motor
3. Wand Holder
4. Protective Rollcage
5. Burner Fuel Tank
6. High Pressure Pump w/Unloader
7. Flat Free Wheels
8. Fuel Filter/Water Separator
9. Electric Cord w/GFCI
10. Water Float Tank
11. Detergent Metering Valve
12. Spray Nozzle Holder
13. Water Inlet
14. Switch-On/Off/Burner
15. Burner Air Regulation
16. Brake
17. High Pressure Hose
18. Trigger Safety Lock
19. Trigger Gun
20. Insulated Lance
21. Adjustable Pressure Dual Lance
22. Spray Nozzle

# HSE-SMALL FRAME WITH DIRECT FEED FEATURES

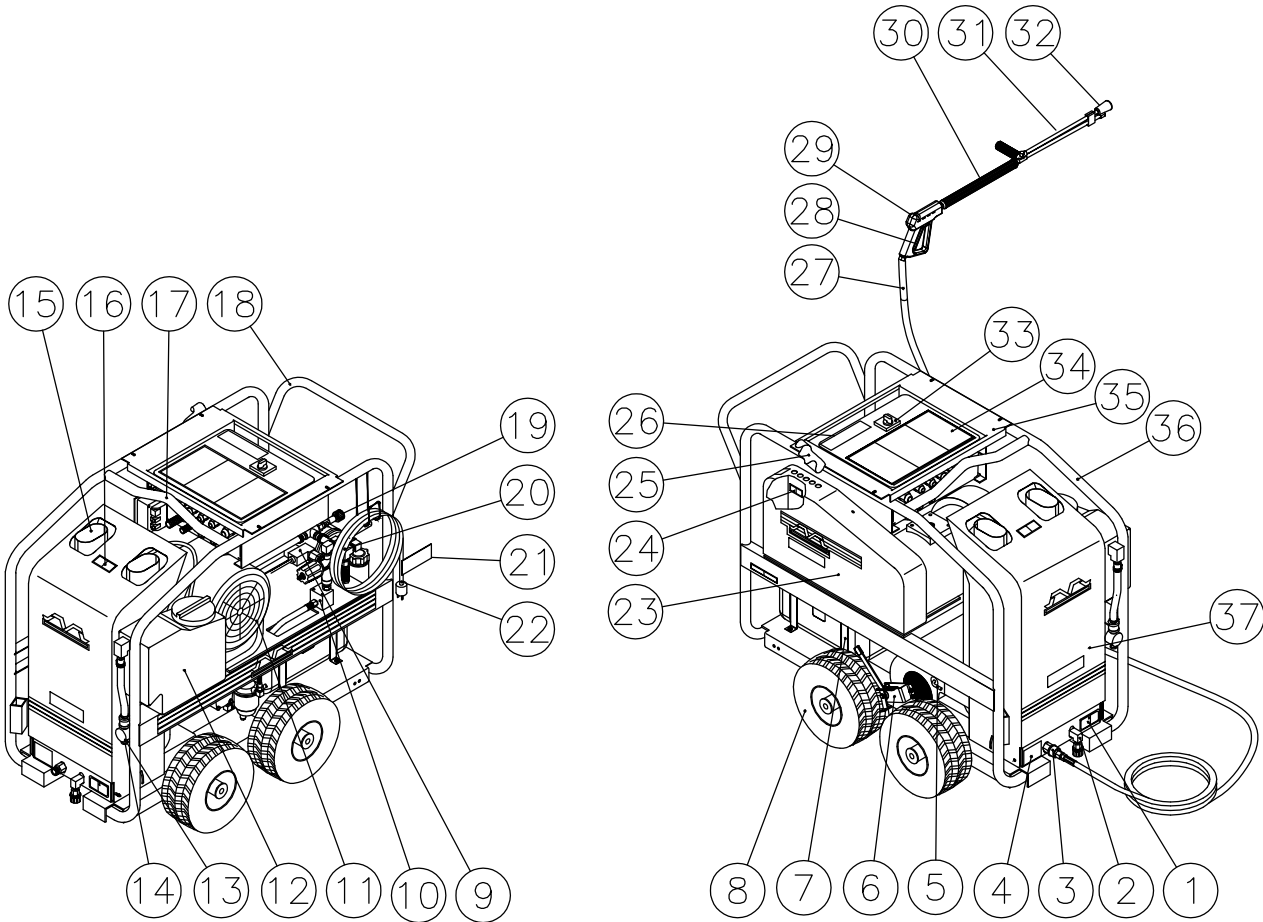


HSE SMALL FEATURES \_ WITH DIRECT FEED 022713

## FEATURES LISTING

1. Center Balanced Lifting Eye
2. TEFC Pump Motor
3. Wand Holder
4. Protective Rollcage
5. Burner Fuel Tank
6. High Pressure Pump w/Unloader
7. Flat Free Wheels
8. Fuel Filter/Water Separator
9. Electric Cord w/GFCI
10. Spray Nozzle Holder
11. Switch-On/Off/Burner
12. Burner Air Regulation
13. Brake
14. High Pressure Hose
15. Trigger Safety Lock
16. Trigger Gun
17. Insulated Lance
18. Adjustable Pressure Dual Lance
19. Spray Nozzle

# HSE-LARGE FRAME FEATURES



0MHSE015-032905-RZ

## FEATURES LISTING

1. Decal- Warning: Risk of Explosion
2. Coil Drain
3. High Pressure Outlet
4. Data Plate
5. Burner Air Regulation
6. Brake
7. Burner Fuel Tank
8. Flat Free Wheels
9. Pressure Switch
10. High Pressure Hose w/Unloader
11. TEFC Pump Motor
12. Water Float Tank
13. Water Strainer w/Bowl
14. Water Inlet
15. Heat Exchanger Exhaust
16. Decal- Warning: Hot
17. Center Balance Lift Eye
18. Convient Push/Pull Handle
19. Detergent Metering Valve
20. Decal- Caution: Risk of Fire
21. Decal- Hang Tag
22. Electric Cord
23. Beltguard
24. Decal- Warning: Beltguard in Place
25. Wand Holder
26. Decal- Warning: Electric
27. High Pressure Hose
28. Trigger Safety Lock
29. Trigger Gun
30. Insulated Lance
31. Adjustable Pressure Dual Lance
32. Nozzle
33. Switch (On/Off/Burner)
34. Decal- Warning/Caution/Operation
35. Control Panel
36. Protective Roll Cage
37. Protective Cover Assembly

## INSTALLATION & PREPARATION



### ATTIRE:

Proper attire is essential to your safety. It is advised to utilize whatever means necessary to protect eyes, ears, and skin. Additional safety attire (such as respiratory mask) may be required when using detergent cleaning agents with this washer.



### **DANGER**

#### **RISK OF EXPLOSION OR FIRE!**

**DO NOT PLACE UNIT IN AN AREA WHERE FLAMMABLE GAS VAPORS MAY BE PRESENT. A SPARK COULD CAUSE AN EXPLOSION OR FIRE!**

#### **RISK OF UNIT BURSTING!**

**DO NOT STORE/OPERATE UNIT IN FREEZING ENVIRONMENTS!**



### **WARNING**

#### **RISK OF ASPHYXIATION!**

**DO NOT OPERATE IN AN ENCLOSED AREA. USE THIS PRODUCT ONLY IN WELL VENTILATED AREAS!**

**THE EXHAUST CONTAINS CARBON MONOXIDE, A POISONOUS, ODORLESS AND INVISIBLE GAS. BREATHING THIS GAS CAN CAUSE SERIOUS INJURY, ILLNESS & POSSIBLE DEATH.**

### SET-UP:

1. This unit should only be placed on a level surface to ensure proper lubrication for the water pump while operating. NEVER spray water directly on the unit.
2. Do not use unit in an area:
  - a. with insufficient ventilation.
  - b. where there is evidence of oil or fuel leaks.
  - c. where flammable gas vapors may be present.
3. Engage brake to prevent the unit from moving while operating.
4. Do not allow the unit to be exposed to rain, snow or freezing temperatures. If any part of the unit becomes frozen, excessive pressure may build up in the unit which could cause it to burst resulting in possible serious injury to the operator or bystanders.
5. Pump oil level should be checked before each use. Make certain the oil is on the "Full" mark on the dipstick or in the center of the oil sight glass. If the level appears to be low, fill with Mi-T-M pump oil #AW-4085-0016.



### **DANGER**

#### **RISK OF ELECTROCUTION!**

**THIS UNIT MUST BE CONNECTED TO A PROPERLY GROUNDED OUTLET. DO NOT USE AN ADAPTER OR REMOVE THE THIRD GROUNDING PRONG.**

### POWER CORD CONNECTION:

1. Make certain the motor switch is in the "OFF" position.
2. Ensure electrical supply is identical to the specifications listed on the pressure washer data plate.
3. **GROUNDING INSTRUCTIONS:** This product must be grounded. If it should malfunction or breakdown, grounding provides a path of least resistance for electric current to reduce the risk of electric shock. This product is equipped with a cord having an equipment-grounding conductor and a grounding plug. The plug must be plugged into an appropriate outlet that is properly installed and grounded in accordance with all local codes and ordinances.
4. **DANGER:** Improper connection of the equipment-grounding conductor can result in a risk of electrocution. Check with a qualified electrician or service personnel if you are in doubt as to whether the outlet is properly grounded. Do not modify the plug provided with the product - if it will not fit the outlet, have a proper outlet installed by a qualified electrician. Do not use any type of adaptor with this product.
5. **GROUND FAULT CIRCUIT INTERRUPTER PROTECTION:**
  - a. **SINGLE PHASE:** If this pressure washer is provided with a Ground Fault Circuit Interrupter (GFCI) built into the plug or the power supply cord, test the GFCI each time it is plugged into an outlet according to instructions on the GFCI. DO NOT use the pressure washer if the test fails! The GFCI provides additional protection from the risk of electric shock. Should replacement of the plug or cord become necessary, use only identical replacement parts that include GFCI protection.

## INSTALLATION & PREPARATION

### POWER CORD CONNECTION CONT'D.:

5. b. **SINGLE PHASE:** If this pressure washer is not provided with a GFCI, this pressure washer should only be connected to a receptacle that is protected by a Ground Fault Circuit Interrupter (GFCI) to comply with the National Electric Code (NFPA 70) and to provide additional protection from the risk of electric shock.
  - c. **THREE PHASE:** These pressure washers are not provided with GFCI protection.
6. **EXTENSION CORDS:** Mi-T-M DOES NOT RECOMMEND THE USE OF EXTENSION CORDS! If use of an extension cord is unavoidable, it must be plugged into a GFCI found in circuit boxes or protected receptacles. When using an extension cord, consult a qualified electrician to determine the proper wire gauge needed for the length of the extension cord.

**SINGLE PHASE:** Use only 3-wire extension cords that have 3-prong grounding-type plugs and 3-pole cord connectors that accept the plug from the product.

**THREE PHASE:** Use only 4 wire extension cords that have 4-prong grounding type plugs and 4-pole cord connectors that accept the plug from the product.

Use only extension cords that are intended for outdoor use. These extension cords are identified by a marking "Acceptable for use with outdoor appliances; store indoors while not in use." Use only extension cords having an electrical rating not less than the rating of the product. Do not use damaged extension cords. Examine extension cord before using and replace if damaged. Do not abuse extension cord and do not yank on any cord to disconnect. Keep cord away from heat and sharp edges. Always connect and disconnect the extension cord from the receptacle before connecting and disconnecting the product from the extension cord.

7. Ensure the area between the pressure washer cord and outlet is kept dry.
8. Insert the male plug into a grounded AC outlet. DO NOT use an adapter OR remove the grounding plug!!

---

### BURNER FUEL TANK:

1. Review "Risk of Explosion or Fire" pg. 5, before fueling.
2. Locate the Safety Decals on your unit and heed their warnings.
3. Fill the burner fuel tank with good quality, clean No. 1 or No. 2 fuel oil diesel or kerosene. Do not use gasoline!



### **WARNING**

#### **RISK OF ELECTROCUTION!**

**TO REDUCE THE RISK OF ELECTROCUTION, KEEP ALL CONNECTIONS DRY AND OFF THE GROUND. DO NOT TOUCH PLUG WITH WET HANDS.**



### **DANGER**

#### **RISK OF FIRE!**

**-DO NOT SMOKE WHILE FUELING!  
-DO NOT FILL THE FUEL TANK WHILE UNIT IS RUNNING OR HOT. ALLOW UNIT TO COOL FOR TWO MINUTES BEFORE RE-FUELING.  
-DO NOT FILL FUEL TANK TO POINT OF OVERFLOWING. ALLOW APPROXIMATELY 1/4" OF TANK SPACE FOR FUEL EXPANSION.**



### **WARNING**

**RISK OF EXPLOSION OR FIRE!  
ALWAYS STORE FUEL AWAY FROM THE WASHER WHILE THE UNIT IS RUNNING OR HOT.**



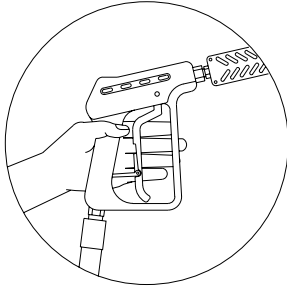
## INSTALLATION & PREPARATION



### WARNING

#### **RISK OF INJECTION CAUSING SEVERE INJURY!**

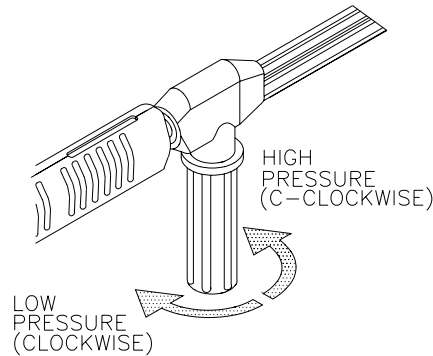
- THE TRIGGER GUN SHOULD ALWAYS BE LOCKED IN THE OFF POSITION WHEN NOT IN USE!
- NEVER LOOK DIRECTLY AT THE NOZZLE UNLESS IT IS DISCONNECTED FROM THE TRIGGER GUN/DUAL LANCE ASSEMBLY!



#### **ADJUSTABLE PRESSURE DUAL LANCE:**

This unit features an Adjustable Pressure Dual Lance which allows the user to select a high or low pressure “fan” spray. Simply rotate the adjustable grip on the dual lance to achieve the desired pressure selection.

1. Selection of high pressure can be achieved by turning the adjustable grip on the Dual Lance counterclockwise as shown in the figure below.
2. Selection of low pressure can be achieved by turning the adjustable grip on the Dual Lance clockwise as shown in the figure below.



#### **DUAL LANCE CONNECTION:**

1. Be certain the trigger gun is locked in the “OFF” position.
2. Connect the dual lance assembly to the trigger gun assembly at this time (if applicable). Be certain the connection is securely tightened.

#### **WATER SUPPLY:**

1. Select a water supply hose which is a quality grade of garden hose measuring at least 3/4” ID and no longer than 50 feet.
2. If your unit is equipped with a water strainer, ensure it is clean and free of any obstructions. Periodic cleaning of the water strainer will help prevent pump problems. As a strainer becomes obstructed, it restricts proper flow of water to the pump. This can result in cavitation which will cause premature failure of pump packings.
  - a. Unscrew the strainer bowl from the unit.
  - b. Remove strainer screen and clean or replace.
3. Connect one end of the water supply hose to the water inlet of the unit. Connect the other end of the hose to your pressurized water supply.

NOTE: If there is a high mineral content in your water, it is recommended that a water softener be used to prevent the possibility of excessive scale buildup inside the heat exchanger coil.

4. Follow the incoming water requirements listed below:
  - a. Water pressure must be between a minimum of 20 pounds per square inch (PSI) and a maximum of 125 PSI.
  - b. Incoming GPM must be approximately one gallon more than the outgoing GPM stated on the pressure washer nameplate. (You can check GPM by timing how long it takes to fill a 5 gallon container.)
  - c. Incoming water temperature must not exceed 125°F. Excessive pump damage may result if the water temperature exceeds this acceptable level.
5. Never allow the unit to operate without the incoming water line attached and the water supply completely turned on.



## INSTALLATION & PREPARATION

### UNLOADER:

Standard Models:

The unloader has been preset at the factory.

Steam Option Models:

The unloader has an adjustment knob which has a minimum/maximum setting. Move the unloader clockwise to the maximum setting for Cold/Hot water operation. Move counterclockwise to minimum setting for Steam operation.

### THERMAL RELIEF VALVE:

To ensure the water temperature does not exceed acceptable levels, never allow the pressure washer to operate in the bypass mode (with the unit running and the trigger closed) for more than three minutes.

A thermal relief valve has been added to this unit to protect the pump. This valve will open and release water if the water temperature in the pump has exceeded 140° F. This will allow fresh, cool water to enter the system, therefore preventing premature failure of pump packings.

### PRE-START INSPECTION PROCEDURES:

Before starting the unit, perform the following procedures:

1. Inspect the electrical cords for cuts. If a cut is found, DO NOT TOUCH OR USE CORD! Replace cord before starting unit.
2. Check the oil level in the pump.
3. Inspect the water inlet strainer. Clean or replace if necessary. See "Water Supply", #2, pg 14.
4. Check all hose connections to ensure they are securely tightened.
5. Inspect for system water leaks, oil leaks and fuel leaks. If a fuel leak is found, DO NOT START UNIT! See "Risk of Explosion or Fire", pg. 5. Be sure that all damaged parts are replaced and that the mechanical problems are corrected prior to operation of the unit. If you require service, contact Customer Service.
6. Inspect high pressure hoses for kinking, cuts and leaks. If a cut or leak is found, DO NOT USE HOSE! Replace hose before starting unit. See "Risk of Injection or Severe Cutting Injury", pg. 6. Be sure that all damaged parts are replaced and that the mechanical problems are corrected prior to operation of the unit. If you require service, contact Customer Service.



**END OF PREPARATION INSTRUCTIONS**





# **WARNING**

**THE FOLLOWING PAGES CONTAIN OPERATING AND MAINTENANCE INSTRUCTIONS.**

**DO NOT ATTEMPT TO OPERATE THIS PRESSURE WASHER UNTIL YOU HAVE READ AND UNDERSTOOD ALL SAFETY PRECAUTIONS AND INSTRUCTIONS LISTED IN THIS MANUAL.**

**INCORRECT OPERATION OF THIS UNIT CAN CAUSE SERIOUS INJURY!!**

**DO NOT ALTER OR MODIFY THIS EQUIPMENT IN ANY MANNER!**

## OPERATING INSTRUCTIONS



### CAUTION

#### RISK OF UNIT DAMAGE.

BE CERTAIN THE HOSE, GUN & DUAL LANCE ASSY. ARE NOT CONNECTED TO THE UNIT WHILE PRIMING THE PUMP. PRIMING ALLOWS MINERAL DEPOSITS TO BE RELEASED FROM THE SYSTEM WHICH WOULD OBSTRUCT OR DAMAGE THE GUN AND NOZZLE ASSEMBLY RESULTING IN COSTLY REPAIRS.

#### FLUSHING THE SYSTEM:

This unit has a steel coil which, after setting, will cause the water remaining in the coil from the previous usage to turn brown or black. This water must be flushed from the system before start-up. This procedure should be performed without the high pressure hose, gun and dual lance assembly installed.

#### DIRECT FEED MODELS:

1. Turn on the water supply.
2. Low pressure water will begin flowing from the water outlet. This allows the unit to flush any particles from the system. The unit is flushed when the water is clear.
3. Once the system is flushed, turn off the water supply and connect the high pressure hose to the water outlet of the unit.
4. Connect the trigger gun and dual lance assembly to the high pressure hose.
5. Turn on the water supply.

#### FLOAT TANK MODELS:

1. Turn on the water supply.
2. Move the switch to the "Pump" position. Low pressure water will begin flowing from the water outlet. This allows the unit to flush any particles from the system. The unit is flushed when the water is clear.
3. Once the system is flushed, move the switch to the "OFF" position and connect the high pressure hose to the water outlet of the unit.
4. Connect the trigger gun and dual lance assembly to the high pressure hose.



### WARNING

#### **RISK OF INJECTION CAUSING SEVERE INJURY!**

**-KEEP CLEAR OF NOZZLE!  
NEVER PLACE HAND OR FINGERS IN FRONT OF NOZZLE!**

**-DO NOT DIRECT DISCHARGE STREAM AT PEOPLE OR PETS!**

**-AUTO START/STOP FEATURE WILL SHUTDOWN THE PRESSURE WASHER UNTIL GUN IS TRIGGERED. TO PREVENT ACCIDENTAL HIGH PRESSURE DISCHARGE, DO NOT LEAVE UNIT UNATTENDED WHILE IN THIS MODE.**

#### START-UP/COLD WATER OPERATION:

1. Refer to the "Safety Precautions" pgs. 4-7 before starting the unit.
2. Locate the Safety Decals on your unit and heed their warnings.
3. Ensure that the switch is in the "OFF" position.
4. Pointing the trigger gun in a safe direction, unlock the trigger gun and squeeze the trigger. Brace yourself for possible gun kickback when the pump starts.
5. Move the switch to the "Pump" position.
6. Once the unit has started, perform the following procedures with the gun open:
  - a. Inspect for system water leaks, oil leaks and fuel leaks. If a fuel leak is found, **TURN UNIT OFF IMMEDIATELY!** See "Risk of Explosion or Fire", pg. 5. Be sure that all damaged parts are replaced and that the mechanical problems are corrected prior to operation of the unit. If you require service, contact Customer Service.
  - b. Inspect high pressure hoses for kinking, cuts and leaks. If a cut or leak is found, **DO NOT TOUCH HOSE AT LEAK!!! TURN UNIT OFF IMMEDIATELY!** Replace hose before starting the unit. See "Risk of Injection or Severe Cutting Injury" pg. 6. Be sure that all damaged parts are replaced and that the mechanical problems are corrected prior to operation of the unit. If you require service, contact Customer Service.
7. At this point, the unit is operating as a cold water pressure washer. Trigger the gun several times and try adjusting the water pressure by rotating the grip on the dual lance. **NEVER** place hand or fingers in front of the nozzle or look directly into the nozzle! High pressure water creates a risk of severe injury!
8. Do not allow unit to operate in bypass mode (with trigger closed) for more than three minutes without triggering the gun. Failure to follow this simple rule can cause premature failure of pump packings.

**NOTE:** *If this unit is equipped with an Auto Start/Stop feature, the pressure washer will shutdown if the gun is not triggered after a designated amount of time. The pressure washer will start again once the gun is triggered. The Auto Start/Stop feature is preset at the factory for shutdown at 90 seconds. It can be adjusted by an Authorized Service Technician to shutdown from no usage after a minimum of 3 seconds to a maximum of 5 minutes.*

9. Your pressure washer can deliver high pressure spray and a variety of spray patterns using cold water. If you wish to use the Hot Water, Steam application or Cleaning with Detergents, see page 19 for the correct procedures.



### CAUTION

#### RISK OF DAMAGE.

**DONOTALLOWSPRAYPATTERN TO REMAIN ON A FIXED AREA FOR AN EXTENDED PERIOD OF TIME. POSSIBLE DAMAGE MAY OCCUR TO THE AREA.**

## OPERATING INSTRUCTIONS

### HOT WATER OPERATION:

1. Follow the steps 1-8 outlined for "START-UP/COLD WATER OPERATION".
2. Move the switch to the "Burner" position. On initial start-up, water will begin turning hot in approximately 20 seconds and will reach maximum temperature in approximately 2-1/2 minutes, provided the trigger remains squeezed. The burner will stop firing when the trigger is released.

**NOTE:** While spraying, it is normal for the burner to fire intermittently. The high limit switch will cause combustion to cease when the temperature of the discharged water exceeds the temperature setting of the switch. Combustion will begin again when the water temperature drops below the minimum setting.

**At this point, the unit is operating as a hot water pressure washer. Be extremely cautious when adjusting the pressure and controlling the trigger gun/dual lance assembly to avoid the possibility of burns.**

### STEAM OPERATION:

1. Follow steps 1-8 outlined for "STARTUP/COLD WATER OPERATION".
2. Ensure the quick-connect at the end of the dual lance is cool enough to touch, then remove the high pressure nozzle and replace it with the steam nozzle. Remove the high pressure hose and replace it with the steam hose.
3. Turn unloader knob completely counterclockwise to the minimum setting.
4. Turn the switch to "Steam".

**NOTE:** The burner will shut down if the switch is moved to "Steam" without first setting the unloader to minimum or operating in the high pressure mode.)

**At this point, the unit will operate as a steam pressure washer. Be extremely cautious when adjusting the pressure and controlling the trigger gun/dual lance assembly to avoid the possibility of burns.**

### CLEANING WITH DETERGENTS:

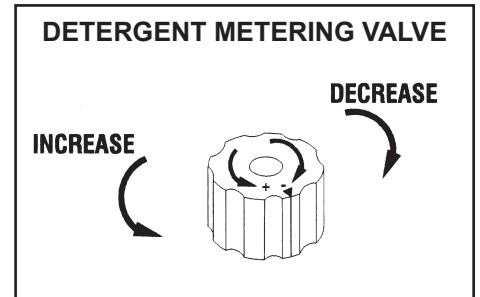
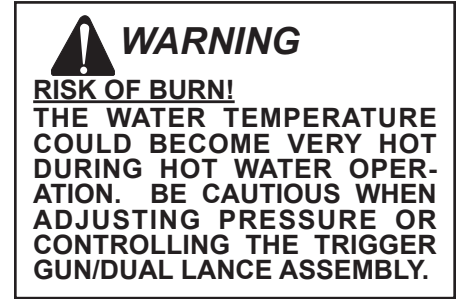
**NOTE:** This feature is designed for use with mild detergents only. Since the cleaning solution travels through various parts of the pressure washer, do not use corrosives as they will cause extensive damage as well as pose a considerable safety hazard.

1. Refer to "Risk of Bodily Injury / Detergents" pg. 7. Be certain to wear protective safety attire as stated on pg. 12.
2. Prepare detergent solution according to label directions. (Never pump acids, alkalines, abrasive fluids or solvents through the unit. Due to the unknown and often corrosive characteristics of many detergents commonly used in the pressure washer cleaning industry, it is recommended to use only mild detergents with this unit.)
3. Fully immerse the strainer end of the clear vinyl detergent hose into the detergent solution.
4. DIRECT FEED: Be certain the adjustable grip on the dual lance is turned completely clockwise for low pressure detergent operation.

**NOTE:** This injection system is designed to apply detergents under low pressure only. It will not allow detergent solutions to be introduced into the system unless the dual lance is set in the low pressure mode.

FLOAT TANK: Adjust the amount of detergent desired. Turn the metering valve completely counterclockwise to set at maximum siphon rate.

5. To apply solution; unlock the trigger gun and squeeze the trigger. In a few moments a detergent/water mixture will exit the nozzle. Start spraying the lower portion of the surface being cleaned and move up, using long overlapping strokes. Applying from the bottom up helps avoid streaking. Allow to soak briefly. Avoid working on hot surfaces or in direct sunlight to minimize the chances of the detergent drying, which may result in damaging surfaces. Be certain to apply cleaning solution to a small section at a time.
6. To rinse; lock the trigger gun in the "OFF" position,  
DIRECT FEED: Rotate the adjustable grip on the dual lance counterclockwise for high pressure.  
FLOAT TANK: Turn the detergent metering valve to the "OFF" position. Unlock the trigger gun and spray. It will take about 30 seconds to purge all detergent from the line. For best rinsing results, start at the top and work down.
7. Siphon a gallon of water through the detergent injection system after each use. This prevents the possibility of corrosion or detergent residue causing mechanical problems during the next use.





## OPERATING INSTRUCTIONS

### **WARNING**

#### **RISK OF INJECTION CAUSING SEVERE INJURY!**

**-AUTO START/STOP FEATURE WILL SHUTDOWN THE PRESSURE WASHER UNTIL THE GUN IS TRIGGERED. TOTAL SHUTDOWN REQUIRES "OFF/PUMP/BURNER/STEAM" SWITCH TO BE MOVED TO THE OFF POSITION.**

**-TO PREVENT ACCIDENTAL HIGH PRESSURE DISCHARGE, DO NOT LEAVE UNIT UNATTENDED UNTIL "OFF/PUMP/BURNER/STEAM" SWITCH IS IN THE OFF POSITION.**

#### **SHUTDOWN:**

1. Move the switch to the "Pump" position.
2. Squeeze the trigger and discharge the water for a period of three minutes to cool the heat exchanger and high pressure hose. (Insufficient cool down period of the high pressure hose will cause excessive wear and eventual rupturing of the hose.)
3. Move the switch to the "OFF" position. (Auto Start/Stop Option will shut the unit down, but total shutdown requires switch to be moved to the "OFF" position.)
4. Turn off the water supply and trigger the gun momentarily to relieve trapped pressure.
5. Disconnect and drain the high pressure hose, gun, and dual lance. Wipe the unit clean and store in a non-freezing environment.

## STORAGE & MAINTENANCE INSTRUCTIONS

#### **SPECIFIC MAINTENANCE:**

**PUMP:** Change the pump oil after the first 50 hours of operation. After initial change, every 3 months or 250 hour intervals are recommended. If oil appears dirty or milky, changes may be required in greater frequency. Use pump oil SAE20 or 30 and fill only to the center of the oil sight glass. **DO NOT** overfill.

**QUICK COUPLERS:** There are o-ring seals inside the couplers which will deteriorate. To replace, simply install a replacement o-ring to correct the leak. (Additional o-rings can be purchased from your dealer.)

**NOZZLE:** Water flow through the spray nozzle will erode the orifice, making it larger, resulting in a pressure loss. Nozzles should be replaced whenever pressure is less than 85% of the maximum. The frequency of replacement will depend upon such variables as mineral content in the water and number of hours the nozzle is used.

**FUEL WATER SEPARATOR:** The fuel filter has a built in water separator. Occasionally the water has to be drained from the separator. Follow the procedures listed below:

1. Check the collection bowl daily.
2. Ensure the unit is off and place an oil catch basin under the fuel cartridge.
3. Loosen the drain plug to allow the fuel/water contaminants to flow into the catch basin.
4. Retighten the drain plug when completed.
5. Dispose of drainage according to environmental regulations in your area.

**BURNER AIR ADJUSTMENT:** The air shutter has been factory preset for proper operation between sea level and 2000 feet elevation at standard conditions (60°F ambient water and air temperatures). To assure maximum combustion efficiency at colder temperatures and higher altitudes, it will be necessary to adjust the air supply to the combustion chamber. A smoke spot test is recommended during any air shutter adjustment. This will aid in maximizing the burner efficiency and avoid the inefficient operation and excessive sooting of the combustion chamber.

1. The machine must be running and the burner on.
2. Take a smoke spot test to determine if more or less air is required for proper combustion.
  - a. If the test is greater than a #3 smoke, turn the shutter arm counterclockwise to increase the air flow into the combustion chamber.
  - b. If the test is yellowish in color, turn the shutter arm clockwise to decrease the air flow into the combustion chamber.
3. Hold onto the air shutter adjusting arm and loosen the locking nut. Move the shutter in 1/8" increments and retighten the locking nut after each 1/8" movement.
4. Trigger the gun on and off slowly to make sure there is proper ignition. Slight or no puffing on the ignition, and a smoke spot test of 0-3 is good.
5. Repeat steps 2 and 3 until step 4 is attained.

**LEAKS:** Promptly eliminate any leaks found in the pumping system by removing suspect parts, applying thread sealant to the threads and reinstalling.

**NOTE:** *If using teflon tape, be certain no tape gets inside any plumbing to prevent the possibility of a plugged spray nozzle.*



## STORAGE & MAINTENANCE INSTRUCTIONS

### WINTERIZING:

1. For storage and transportation purposes in subfreezing ambient temperatures, it will be necessary to winterize this unit. This unit must be protected to the lowest incurred temperature for the following reasons:
  - a. If any part of the pumping system becomes frozen; excessive pressure may build up in the unit which could cause the unit to burst resulting in possible serious injury to the operator or bystanders.
  - b. The pumping system in this unit may be permanently damaged if frozen. **FREEZE DAMAGE IS NOT COVERED BY WARRANTY.**

If you must store your unit in an area where the temperature may fall below 32°F, you can protect your unit by following the procedure outlined below.

1. Gather the following items:
  - a. Two 5 gallon containers.
  - b. One gallon of antifreeze. (Use an environmentally safe antifreeze.)
  - c. Water supply.
  - d. Three foot hose, 1/2-3/4 I.D. with a 3/4 inch male garden hose fitting.
2. Procedure:
  - a. To start winterizing, unit must be run according to the "Start-up Cold Water Operation" listed on page 18.
  - b. After running, shut off the unit and water supply.
  - c. Relieve system pressure by pointing the trigger gun in a safe direction and squeezing the trigger until water flow ceases to exit the Dual Lance Assy.
  - d. Lock the trigger gun in the OFF position and adjust the Dual Lance to the low pressure mode.

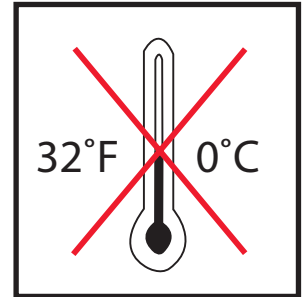
**NOTE:** Proper winterizing is based on the recommended manufacturer's instructions listed on the "Protection Chart" shown on the back label of most antifreeze containers.

### DIRECT FEED MODELS:

1. Remove the water supply hose from the unit and attach the 3 foot hose securely to the inlet connection.
2. Shut off the detergent injector (if applicable).
3. Fill one 5 gallon container with water.
4. Holding the 3 foot hose in an upright position, completely fill the hose with water. Then plug the open end of the hose with your thumb or finger. Place the plugged end into the 5 gallon container of water.
5. Start the unit. Trigger the gun several times until all the air is worked out of the system (unit is primed).
6. With the trigger gun held open, siphon enough water out of the 5 gallon container until there is just enough water left to mix with the antifreeze.
7. Point the trigger gun into the empty container. (Be certain to wear safety attire for protection from splashing.)
8. Trigger the gun until the antifreeze begins to exit the trigger gun. Release the trigger for 3 seconds, then trigger the gun for 3 seconds. Continue cycling the trigger gun several times until all the antifreeze mixture is siphoned from the container.
9. Stop the unit.
10. Detach the 3 foot hose from the unit and drain any excess antifreeze back into the 5 gallon container.



**WARNING**  
**RISK OF UNIT BURSTING.**  
**DO NOT STORE / OPERATE**  
**UNIT IN A FREEZING**  
**ENVIRONMENT!**



## STORAGE & MAINTENANCE

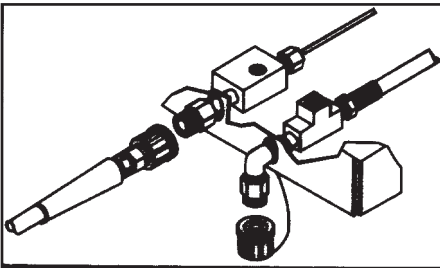
### WINTERIZING (CONTINUED):

#### FLOAT TANK MODELS:

1. Remove lid from float tank.
  2. Start the unit and squeeze the trigger gun until the float tank is almost empty.
  3. Stop the unit.
  4. Mix antifreeze and water in a container that can be used for pouring the solution into the float tank.
  5. Start the unit. Point the trigger gun into the empty container. Trigger the gun until the antifreeze begins to exit the trigger gun. Continue cycling the trigger gun several times until all the antifreeze mixture is siphoned from the container.
  6. Stop the unit.
- 

- e. Disconnect the hose and trigger gun from the unit and drain any excess antifreeze back into the 5 gallon container.
- f. Drain hose, trigger gun and dual lance assembly and store with the unit in a safe non-freezing area.
- g. Store antifreeze solution for next use or dispose of according to state EPA laws.

#### COIL DRAIN PLUG



#### 3. OPTIONAL PROCEDURE:

- a. Shut the unit and water supply off.
- b. Relieve system pressure by pointing the trigger gun in a safe direction and squeezing the trigger until water flow ceases to exit the nozzle.
- c. Disconnect and drain the hose, trigger gun and dual lance assembly.
- d. Remove the coil drain plug from the heat exchanger inlet.
- e. Start the unit and allow it to run until all the water exits the unit. Once the water has stopped flowing from the unit, turn off.

**NOTE:** When using this procedure, use caution as ice chips can form from drops of water which could cause the unit to burst if starting before completely thawed.

## TROUBLESHOOTING

SYMPTOM	PROBABLE CAUSE	REMEDY
Pump motor will not run.	Circuit overload.	Check wall breaker or fuse.
	GFCI tripped.	Reset.
	Motor overload.	Reset thermal overload button on pump motor or inside electrical control panel.
	Auto Start/Stop Option in use.	Point gun in a safe direction and squeeze trigger.
No discharge at nozzle when trigger mechanism is squeezed.	Inadequate water supply.	Ensure hose is 3/4" diameter and incoming water supply is turned on.
Low or fluctuating pressure.	Kink in water inlet hose.	Remove kink.
	Kink in high pressure discharge hose.	Replace kinked high pressure hose.
	Water inlet screen obstructed.	Remove screen, clean or replace.
	Pump sucking air. (Prime eliminated)	Tighten all water intake connections Eliminate leaks in intake line.
	Adjustable Grip on Dual Lance is not in high pressure mode.	Turn grip counterclockwise to move to high pressure.
	Obstructed or worn spray nozzle.	Remove, clean or replace.
	Damaged or obstructed valve assy. on pump.	Remove, clean or replace.
	Pump packings worn.	Replace packings.
	Unloader/Bypass valve not operating correctly.	Repair or replace.
	Scale build-up in heat exchanger coil.	Descale coil.
Water is leaking from Thermal Relief valve.	Water inlet temperature is too high.	Incoming water temperature must be less than 125°.
	Water temperature is too high.	Do not allow unit to operate in bypass mode (with the trigger gun closed) for more than three minutes.
	Defective valve.	Replace.
Oil appears milky or foamy.	Water in oil.	Change pump oil. Fill to proper level.
Oil leaking from unit.	Worn seals or o-rings.	Contact Customer Service.
Detergent will not siphon .	Detergent strainer is not completely submerged in detergent solution.	Check, submerge if necessary.
	Detergent strainer obstructed.	Inspect, clean or replace.
	Detergent hose cut, obstructed or kinked.	Inspect, clean or replace.
	Detergent adjusting knob turned to closed position.	Open adjusting knob. Refer to "Cleaning with Detergents" pg. 19.
Detergent will not siphon into the Low Pressure Mode.	Adjustable grip on dual lance is not in low pressure mode.	Turn grip clockwise to move to low pressure.
	Too many high pressure hose extensions attached to the water outlet.	Use one extension maximum.
	Nozzle assembly is plugged.	Clean or replace.
	Ball & Spring in Venturi stuck.	Remove, clean or replace.

## TROUBLESHOOTING

SYMPTOM	PROBABLE CAUSE	REMEDY
Water flows back into detergent container.	Check valve missing or corroded.	Remove, clean or replace.
Water flows from the nozzle when the trigger gun is locked in the "OFF" position.	Trigger gun is malfunctioning.	Repair or replace.
Water is leaking under heat exchanger coil.	Coil drain plug is not installed.  Safety Relief device is relieving caused by an unloader or pressure switch malfunction.	Install.  1. Detect and correct unloader or pressure switch problem. 2. Replace safety relief device. NEVER run unit without safety relief device. Doing so can cause an explosion!
Burner will not ignite	Switch is not in "Burner" position.  No voltage.  Out of fuel.  Fuel pickup screen obstructed.  Trigger gun is closed.  Pressure switch override.  High limit switch override.  Flexible coupler broken.  Dirty or clogged fuel filter/water sep.  Fuel pump sucking air.  Fuel pump inoperative.  Dirty or clogged fuel nozzle.  Improper burner air adjustment.  Ignition transformer failure.  Ignition electrodes damaged or worn.  Fuel solenoid valve failure.  High PSI mode.	Check switch position.  Contact Customer Service.  Refuel. (Reset burner primary control on cad cell options.)  Consult Service.  Open trigger gun for pressure.  Pressure should be over 250 PSI to allow burner to come on.  Unit will automatically reignite when cool.  Replace.  Drain or replace as necessary.  Tighten all fuel intake connections. Eliminate leaks in intake line.  Check pressure, replace if needed.  Replace.  Adjust as explained on page 20.  Replace.  With unit running and trigger gun closed, look through burner sight glass to ensure there is sparking across electrodes.  Replace.  Verify Burner/Steam switch is in "Burner" mode.
	Steam Option: Steam Mode.	Verify Burner/Steam switch is in "Steam" mode.
	Steam mode: Pump Head PSI too high.	Reduce pressure to 350PSI.
	Cad Cell Option: Primary control lock-out.	Reset.

## TROUBLESHOOTING

SYMPTOM	PROBABLE CAUSE	REMEDY
Burner motor will not run.	Switch is not in "Burner" position.	Check switch position.
	No voltage.	Consult Mi-T-M Customer Service.
	Motor overload.	Motor automatically resets when cool.
	Fuel pump siezed.	Allow motor to cool. Repair or replace.
	Blower Fan seized.	Allow motor to cool. Repair or replace.
Burner runs erratically.	Water in the fuel oil.	Drain fuel filter/water separator. Drain fuel tank, and replace with clean fuel.
	Dirty fuel filter/water separator.	Replace element.
	Dirty fuel nozzle.	Replace.
	Fuel pickup screen obstructed.	Consult Mi-T-M Customer Service.
	Improper air adjustment setting.	Adjust as explained on page 20.
	Fuel pump malfunctioning.	Replace.
Burner runs, but will not heat.	Poor or improper fuel supply.	Check fuel to ensure it is correct. Drain tank and replace filter if necessary and refill with proper fuel.
	Low fuel pump pressure.	Check fuel pump pressure, adjust or replace if needed.
	Dirty fuel nozzle.	Replace.
	Fuel pickup screen obstructed.	Consult Mi-T-M Customer Service.
	Improper air adjustment setting.	Adjust as explained on page 20.
	Scale build up in heat exchanger coil.	Consult your Customer Service.
Burner discharges white smoke.	Low on fuel.	Refuel. If white smoke persists, consult Mi-T-M Customer Service.
	Poor or improper fuel supply.	Check fuel pump pressure, adjust or replace if needed.
	Dirty fuel nozzle.	Replace.
	Fuel pickup screen obstructed.	Consult Mi-T-M Customer Service.
	Improper air adjustment setting.	Adjust as explained on page 20.
	Cold combustion chamber start-up.	Run burner for several minutes.
	Excessive air supply.	Adjust as explained on page 20.
Burner discharges black smoke.	Insufficient air supply.	Adjust as explained on page 20.
	Combustion chamber loaded with unburned fuel.	Consult Mi-T-M Customer Service.

## MAINTENANCE CHART

PROCEDURE	DAILY	3 MONTHS	6 MONTHS	9 MONTHS	12 MONTHS
Inspect electrical cord	X				
Test GFCI	X				
Test voltage and amp draw					X
Check water pump oil level	X				
Change water pump oil **		X	X	X	X
Oil leak inspection	X				
Fuel leak inspection	X				
Water leak inspection	X				
Hose inspection	X				
Water inlet filter inspection	X				
Check fuel filter/water separator	X				
Inspect belt		X	X	X	X
Replace high pressure nozzle***		X	X	X	X
Replace fuel filter/water separator					X
Inspect fuel pump filter*					X
Replace fuel nozzle*					X
Check burner air adjustment		X	X	X	X
Check burner electrodes*					X
Test water pressure*		X	X	X	X
Test fuel pressure*		X	X	X	X
Test water temperature*		X	X	X	X
Descale coil****					X

\* Must be performed by an authorized service technician.

\*\* The pump oil must be changed after the first 50 hours of operation and every 250 hours or 3 months, whichever comes first.

\*\*\* High pressure nozzle should be replaced whenever pressure is less than 85%.

\*\*\*\* Scale build-up will vary with mineral content in the water and amount of usage. Descaling can range from weekly to yearly maintenance.

## OPTIONS

		HSE-1002-0MG10	HSE-1502-0MG10	HSE-2003-0MG10	HSE-1002-0MM11	HSE-1502-0MM11	HSE-2003-0MM11	HSE-2504-0M10	HSE-2504-0M30	HSE-3004-0M10	HSE-3004-0M30	HSE-3504-0M10	HSE-3504-0M30
HX-0070	Auto Start/Stop							X	X	X	X	X	X
HX-0071	Auto Start/Stop Steam							X	X				
HX-0072	Auto Start/Stop Steam									X	X		
HX-0073	Auto Start/Stop Steam											X	X
HX-0074	Auto Start/Stop Cad							X	X	X	X	X	X
HX-0075	Auto Start/Stop Steam/Cad							X	X				
HX-0076	Auto Start/Stop Steam/Cad									X	X		
HX-0077	Auto Start/Stop Steam/Cad											X	X
HX-0085	480 Volt								X				
HX-0086	480 Volt										X		
HX-0087	480 Volt												X
HX-0088	Skid Feet							X	X	X	X	X	X
HX-0161	Hour Meter							X	X	X	X	X	X
HX-0232	Steam	X	X										
HX-0233	Adjustable Thermostat	X	X	X	X	X	X						
HX-0235	Hour Meter	X	X	X	X	X	X						
HX-0237	Auto Start/Stop	X	X	X	X	X	X						
HX-0238	Time Delay Shutdown	X	X	X	X	X	X						
HX-0239	Steam				X	X							
HX-0240	Steam			X									
HX-0241	Steam						X						
50-0161	High Pressure Detergent				X	X	X						



## ACCESSORIES

		HSE-1002	HSE-1502	HSE-2003	HSE-2504	HSE-3004	HSE-3504
15-0006	Supply Hose 3/4"	X	X	X	X	X	X
50-0195	Hose Reel 13" (Holds 100' Of Hose)	X	X	X	X	X	X
50-0196	Hose Reel 16" (Holds 200' Of Hose)	X	X	X	X	X	X
50-0140	Bracket For Hose Reel (22" Bar)	X	X	X			
852-0161	Jumper Hose For Hose Reel (4000 PSI)	X	X	X			
852-0138	Jumper Hose For Hose Reel (4000 PSI)				X	X	X
850-0174	Extension Hose 50' (3000 PSI)	X	X	X	X		
850-0199	Extension Hose 50' (4500 PSI)	X	X	X	X	X	X
AW-3000-0035	Sandblaster Carbide Nozzle*			X			X
AW-3000-0004	Sandblaster Carbide Nozzle *	X			X	X	
AW-4085-0016	Pump Oil	X	X	X	X	X	X
AW-7002-4045	Rotating Nozzle* (2000 PSI)	X					
AW-7004-0045	Rotating Nozzle* (3000 PSI)				X	X	
AW-7010-0001	Rotating Nozzle* (3600 PSI)		X	X			X
AW-7003-1500	Rotating Brush *	X	X	X	X	X	X
AW-7018-1200	Extension Wand 12' ** (3000 PSI)	X	X	X	X	X	
AW-7018-1800	Extension Wand 18' ** (3000 PSI)	X	X	X	X	X	
AW-7018-2400	Extenson Wand 24' ** (3000 PSI)	X	X	X	X	X	
AW-7020-8003	Rotary Surface Cleaner 20" ** (4000 PSI)	X	X	X	X	X	X
AW-7020-8001	Rotary Surface Cleaner 28" ** (4000 PSI)	X	X	X	X	X	X

\*Requires 17-0028 1/4" Female Quick Connect

\*\*Requires 17-0004 3/8" Female Quick Connect

\*\*\*PSI and GPM must be specified when ordering.

All Purpose Cleaner, Paint Surface Prep, House & Deck Wash and Heavy Duty Degreaser are specially formulated detergents for use with all HSE pressure washers and are packaged in One (1), Five (5) and Fifty-five (55) gallon containers. Contact Customer Service Department at (800) 553-9053 for more information.

## STATEMENT OF WARRANTY

Mi-T-M warrants all parts, (except those referred to below), of your new pressure washer to be free from defects in materials and workmanship during the following periods:

For Lifetime against freezing and cracking:  
Pump Manifold

For Seven (7) Years from the date of original purchase:  
High Pressure Pump

For Three (3) Years from the date of original purchase:  
Heat Exchanger Coil

For Two (2) Years from the date of original purchase:  
Frame  
Guard or Shields  
Plumbing  
Pulleys

For One (1) Year from the date of original purchase:  
Adjustable Thermostat  
Selector switch  
Overload  
GFCI Cord  
Starter Contactor

For Six (6) months from the date of original purchase:  
Ignition Transformer  
Burner Motor

For Ninety (90) days from the date of original purchase:  
Unloader Valve  
Fuel solenoid  
Fuel Pump  
Safety Relief Valve  
Electrodes  
High Limit thermostat  
Pressure Switch

For Thirty (30) days from the date of original purchase:  
High Pressure Hose  
Strainers / Filters  
Trigger Gun  
Wand

Defective parts not subject to normal wear and tear will be repaired or replaced at our option during the warranty period. In any event, reimbursement is limited to the purchase price paid.

## EXCLUSIONS

1. The motor is covered under separate warranty by its respective manufacturer and is subject to the terms set forth therein.
2. Normal wear parts:  
Pump Packings  
Pump Valves  
Fuel Filters  
O-rings  
Spray Nozzles  
Detergent Valves  
Quick Couplers/screw connects  
Belts
3. This warranty does not cover parts damaged due to normal wear, misapplication, misuse, operation at other than recommended speeds, pressures or temperature. Parts damaged or worn because of the use of caustic liquids or by operation in abrasive or corrosive environments or under conditions causing pump cavitation are not warranted. Failure to follow recommended operating and maintenance procedures also voids warranty.
4. The use of other than Genuine Mi-T-M Repair Parts will void warranty. Parts returned, prepaid to our factory or to an Authorized Service Center will be inspected and replaced free of charge if found to be defective and subject to warranty. There are no warranties which extend beyond the description of the face hereof. Under no circumstances shall the manufacturer bear any responsibility for loss of use of the unit, loss of time or rental, inconvenience, commercial loss or consequential damages.

For Service or Warranty Consideration, contact  
Mi-T-M® Corporation, 8650 Enterprise Drive, Peosta, IA 52068  
563-556-7484 / 800-553-9053 / Fax 563-556-1235  
Monday - Friday 8:00 a.m. - 5:00 p.m. CST

## TABLE DES MATIÈRES

<b>INTRODUCTION</b> .....	<b>33</b>
<b>INSTRUCTIONS IMPORTANTES DE SÉCURITÉ</b> .....	<b>34-41</b>
RISQUE DE DÉCHARGE ÉLECTRIQUE OU D'ÉLECTROCUTION .....	34-35
RISQUE D'EXPLOSION OU D'INCENDIE .....	36
RISQUE D'ASPHYXIE .....	37
RISQUE DE PIQÛRE OU DU COUPURE GRAVE .....	37
RISQUE DE BRÛLURES.....	38
RISQUE D'ÉCLATEMENT .....	38
RISQUE PROVENANT DES PIÈCES MOBILES .....	38
RISQUE DE BLESSURES CORPORELLES.....	39-41
<b>CARACTERISTIQUES</b> .....	<b>42-47</b>
CARACTÉRISTIQUES DES PETITS HSE UTILISANT RÉSERVOIR À FLOTTEUR .....	42-43
CARACTÉRISTIQUES DE HSE PETITE ALIMENTATION DIRECTE EN UTILISANT .....	44-45
CARACTERISTIQUES DU HSE-GROS .....	46-47
<b>INSTRUCTIONS D'INSTALLATION ET DE PRÉPARATION</b> .....	<b>48-51</b>
VÊTEMENT .....	48
INSTALLATION .....	48
RACCORDEMENT DU CORDON DE SECTEUR.....	48-49
RÉSERVOIR DE CARBURANT.....	49
DOUBLE LANCE A PRESSION REGLABLE.....	50
RACCORDEMENT DE LA DOUBLE LANCE .....	50
APPROVISIONNEMENT EN EAU.....	50
DÉCHARGEUR .....	51
SOUPAPE DE DÉCHARGE DE LA CHALEUR .....	51
PROCÉDURES D'INSPECTION ET DE PRÉ DÉMARRAGE .....	51
<b>NOTE</b> .....	<b>52</b>
<b>CONSIGNES D'UTILISATION</b> .....	<b>54-57</b>
VIDANGE DU SYSTÈME .....	54
MISE EN ROUTE/ FONCTIONNEMENT A L'EAU FROIDE .....	55
FONCTIONNEMENT A L'EAU CHAUDE.....	55
FONCTIONNEMENT A LA VAPEUR .....	56
NETTOYAGE AVEC DES DÉTERGENTS.....	56
ARRÊT .....	57
<b>INSTUCTIONS DE STOCKAGE ET D'ENTRETIEN</b> .....	<b>57-60</b>
ENTRETIEN PARTICULIER .....	57-58
PRÉPARATION DE L'APPAREIL POUR L'HIVER.....	58-60
<b>DÉPANNAGE</b> .....	<b>61-65</b>
<b>TABLEAU D'ENTRETIEN</b> .....	<b>66</b>
<b>OPTION</b> .....	<b>67</b>
<b>ACESSOIRES</b> .....	<b>68</b>
<b>BON DE DE GARANTIE</b> .....	<b>69</b>

### **WARNING**

**AVERTISSEMENT:** Ce produit contient du plomb, un produit chimique qui est connu par l'état de Californie comme étant la cause de cancer et de malformations congénitales ou autres effets nocifs de reproduction.

*Laver vos mains après avoir manipulé ce produit.*

### **AVERTISSEMENT**

Ce produit contient un ou plusieurs produits chimiques qui sont connus par l'état de Californie comme étant la cause de cancer, de défauts de naissance et d'autres problèmes reproductifs.

## INTRODUCTION

Félicitations de l'achat de votre nouveau nettoyeur haute pression Mi-T-M! Vous pouvez être assuré que votre nouveau nettoyeur haute pression a été construit et conçu avec qualité et performance à l'esprit. Chaque composant a été rigoureusement testé afin d'atteindre le plus haut niveau de fiabilité.

Le manuel de l'utilisateur a été dressé pour que vous en retiriez le meilleur parti. Par la lecture et l'application des mesures simples de sécurité, d'installation, d'opération, d'entretien et de dépannage décrites dans ce manuel, votre nouveau nettoyeur haute pression fonctionnera sans faille pendant de nombreuses années. Le contenu de ce manuel est basé sur la dernière information disponible du produit au moment de la publication. Mi-T-M se réserve le droit d'effectuer des changements de prix, de couleur, de matériaux, d'équipement, de caractéristiques ou de modèles à tout moment sans préavis.

### ! IMPORTANT !

Ces paragraphes sont entourés par un "ENCADRÉ ALERTE SÉCURITÉ". Cet encadré est utilisé pour indiquer et souligner les avertissements de sécurité qui doivent être suivis en utilisant ce nettoyeur haute pression.

En plus des avertissements de sécurité, des "mots d'alerte" sont utilisés pour indiquer le degré ou niveau de risque. Les "mots d'alerte" utilisés dans ce manuel sont les suivants:

**DANGER:** Indique une situation au danger imminent qui, si elle n'est pas évitée, ENTRAINERA la mort ou des blessures graves.

**AVERTISSEMENT:** Indique une situation potentiellement dangereuse qui, si elle n'est pas évitée, POURRAIT entraîner la mort ou des blessures graves.



**ATTENTION:** Indique une situation potentiellement dangereuse, qui, si elle n'est pas évitée, PEUT entraîner des dommages corporels mineurs ou modérés.



Les symboles placés à gauche de ce paragraphe sont des "symboles d'alerte de sécurité". Ces symboles sont utilisés pour souligner les objets ou les procédures qui pourraient être dangereux pour vous ou tout autre personne utilisant cet équipement.



**FOURNISSEZ TOUJOURS UNE COPIE DE CE MANUEL A TOUTE PERSONNE UTILISANT CET EQUIPEMENT. LISEZ TOUTES LES INSTRUCTIONS AVANT D'UTILISER CE NETTOYEUR ET SOYEZ PARTICULIEREMENT ATTENTIF AUX "AVERTISSEMENT DE SÉCURITÉ" POUR EMPECHER LA POSSIBILITÉ DE BLESSURES POUR L'UTILISATEUR**



Une fois l'appareil déballé, écrivez immédiatement le numéro de série de votre appareil dans l'espace ci-dessous

**NUMERO DE SÉRIE** \_\_\_\_\_

Assurez-vous qu'il n'y a pas de signes de dommages évidents ou cachés suite au transport. En cas de dommage, remplissez immédiatement une réclamation avec la compagnie de transport. Assurez-vous que toutes les pièces endommagées sont remplacées et les problèmes mécaniques et électriques corrigés avant l'utilisation de l'appareil. Si vous avez besoin d'assistance, entrez en contact avec votre service clientèle Mi-T-M.

SERVICE CLIENTS  
APPELER NOTRE NUMÉRO GRATUIT  
pour obtenir l'adresse du bureau de vente ou du centre de dépannage le plus proche!  
800-553-9053


Veuillez avoir les informations suivantes disponibles pour toute intervention:

1. Numéro de modèle
2. Numéro de série
3. Date et lieu d'achat

## INSTRUCTIONS IMPORTANTES DE SÉCURITÉ

**AVERTISSEMENT:** Lors de l'utilisation de ce produit, des précautions de base doivent toujours être observées, incluant les suivantes:

LIRE TOUTES LES INSTRUCTIONS AVANT UTILISATION DU NETTOYEUR A PRESSION


RISQUE	CONSÉQUENCE POTENTIELLE	PRÉVENTION
<p><b>RISQUE DE DÉCHARGE ÉLECTRIQUE OU D'ÉLECTROCUTION</b></p> 	<p>Des risques de mort ou de blessures graves peuvent survenir si la machine n'est pas reliée à la terre correctement. Votre nettoyeur haute pression est alimenté par électricité et pourrait provoquer une décharge électrique ou une électrocution si il n'est pas utilisé correctement.</p> <p>Un choc électrique peut se produire par le fil électrique</p>	<p>Cet appareil doit être relié à la terre. Assurez-vous que le nettoyeur haute pression est équipé d'un GFCI (Disjoncteur Différentiel à fuite de terre) dans le cordon d'alimentation d'énergie. Si ce n'est pas le cas, le nettoyeur haute pression doit être branché à un réceptacle qui est protégé par un GFCI. Débranchez entre les utilisations.</p> <p>Si votre appareil est équipé d'un GFCI, ne laissez pas tomber le GFCI car des dommages pourraient en résulter. Si vous laissez tomber accidentellement le GFCI, testez le avant l'utilisation suivante pour vous assurer qu'il est en état de marche. (suivez les instructions du GFCI pour les procédures de test)</p> <p>Assurez-vous que l'appareil reçoit toujours le voltage approprié. Avant de brancher l'appareil à une source d'énergie compatible, assurez-vous que le commutateur est en position "off". Débranchez entre chaque utilisation.</p> <p>Ne modifiez en aucun cas la prise fournie avec le produit. Si celle ci n'entre pas dans la prise femelle, faites en installer une par un électricien qualifié. Ne pas utiliser d'adaptateur.</p> <p>Vérifiez que le cordon d'alimentation n'a pas d'écrasement, de coupures ou de dommages résultant de la chaleur. Si une prise ou un cordon d'alimentation a besoin d'être changé, remplacez le avec un produit identique.</p> <p>N'utilisez pas de rallonge électrique avec ce produit.</p> <p>Maintenez toutes les connections au sec et pas sur le sol. Ne pas laisser de fil électrique tremper dans l'eau ou dans une position telle que le contact avec l'eau serait possible. Ne pas toucher la prise avec les mains mouillées</p> <p>Ne pas tirer sur le fil électrique pour le débrancher de la prise.</p>



## INSTRUCTIONS IMPORTANTES DE SÉCURITÉ

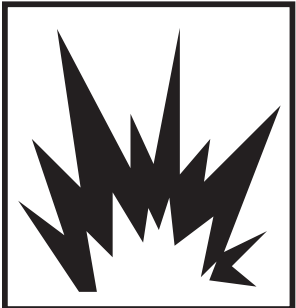

**AVERTISSEMENT:** Lors de l'utilisation de ce produit, des précautions de base doivent toujours être observées, incluant les suivantes:

LIRE TOUTES LES INSTRUCTIONS AVANT UTILISATION DU NETTOYEUR A PRESSION

RISQUE	CONSÉQUENCE POTENTIELLE	PRÉVENTION
<p data-bbox="191 260 500 352"><b>RISQUE DE DÉCHARGE ÉLECTRIQUE OU D'ÉLECTROCUTION</b></p> 	<p data-bbox="581 260 927 386">Un choc électrique peut se produire si le nettoyeur haute pression n'est pas utilisé correctement.</p> <p data-bbox="581 743 943 898">Des risques de mort ou de blessures graves peuvent survenir si des réparations électriques sont effectuées par des personnes incompetentes.</p>	<p data-bbox="1003 260 1490 449">Ne dirigez pas le jet sur ou dans des installations électriques d'aucune sorte ! Ceci inclut les prises électriques, les ampoules, les boîtes à fusibles, les transformateurs électriques, l'appareil lui-même.</p> <p data-bbox="1003 491 1490 588">Ne pas laisser de composant métallique de la machine entrer en contact avec des composants électriques sous tension.</p> <p data-bbox="1003 617 1511 714">Ne jamais mettre en marche le nettoyeur haute pression avec les protections/carters démontés ou endommagés.</p> <p data-bbox="1003 743 1479 903">Toute réparation ou câblage électrique effectué sur le nettoyeur doit être réalisé par le Personnel de Service Autorisé et selon les dispositions électriques en vigueur.</p> <p data-bbox="1003 932 1511 1318">Avant d'ouvrir n'importe quel boîtier électrique, coupez toujours le nettoyeur haute pression, relâchez la pression et débranchez la machine de la source d'énergie. Laissez le nettoyeur haute pression refroidir. Ne partez pas du principe qu'il est sans risque d'effectuer un travail sur le nettoyeur haute pression juste parce qu'il n'est pas en route. Il pourrait se remettre en marche à tout moment! Tout travail doit s'effectuer dans un endroit propre, sec, et plat.</p>


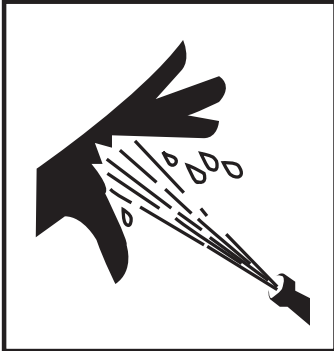
## INSTRUCTIONS IMPORTANTES DE SÉCURITÉ

LIRE TOUTES LES INSTRUCTIONS DE SÉCURITÉ AVANT UTILISATION

RISQUE	CONSÉQUENCE POTENTIELLE	PRÉVENTION
<p><b>RISQUE D'EXPLOSION OU D'INCENDIE</b></p>  	<p>Il y a un risque de mort ou de blessures graves dues à des étincelles normales dans les multiples sources d'allumage ou dans l'échappement du brûleur.</p>	<p>Utilisez toujours le nettoyeur dans un endroit bien aéré où il n'y a pas de vapeurs inflammables, de la poussière de combustible, des gaz ou d'autres matériaux combustibles.</p> <p>Ne rangez pas le nettoyeur haute pression près d'une flamme ou d'un équipement tel qu'un fourneau, d'un four, d'un chauffe-eau, etc., équipé d'une lampe témoin ou d'un dispositif d'étincellement.</p> <p>N'employez pas ce nettoyeur haute pression pour pulvériser un matériau inflammable!</p> <p>Ne fumez pendant le remplissage du réservoir de carburant.</p>
	<p>Il y a un risque de mort ou de blessures graves si l'approvisionnement en carburant n'est pas correctement effectué.</p> <p>Il y a un risque de mort ou de blessures graves si les sécurités du système ne sont pas correctement entretenues.</p>	<p>Ne jamais remplir le réservoir de carburant alors que la machine est chaude ou en marche. Laissez refroidir deux minutes avant le réapprovisionnement en combustible.</p> <p>Ne réapprovisionnez pas en combustible en intérieur ou dans un secteur mal aéré.</p> <p>Remplissez toujours le réservoir de carburant lentement pour éviter que du carburant ne soit renversé, ce qui pourrait causer un risque d'incendie.</p> <p><b>Réservoir de carburant:</b></p> <p>Utiliser du fuel oil n° 1 ou n° 2 / diesel ou kérosène. Ne pas utiliser d'essence, d'écoulements de carter ou d'huile contenant de l'essence, de l'huile/diesel ou des dissolvants.</p> <p>N'utilisez pas l'appareil si du carburant diesel est renversé. Essuyez le nettoyeur haute pression et éloignez-le de la flaque. Évitez d'allumer quoi que ce soit jusqu'à l'évaporation totale du diesel.</p> <p>Ce nettoyeur haute pression est muni d'un dispositif de sécurité qui ne doit en aucun cas être changé, modifié, retiré ou être rendu inopérant. Si ce dispositif n'est plus en état de marche, remplacez le immédiatement et uniquement par la pièce de rechange du fabricant d'origine.</p>


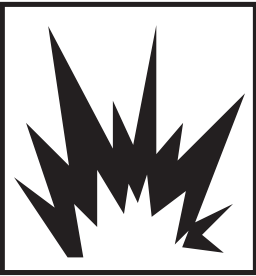

## INSTRUCTIONS IMPORTANTES DE SÉCURITÉ

LIRE TOUTES LES INSTRUCTIONS DE SÉCURITÉ AVANT UTILISATION


RISQUE	CONSÉQUENCE POTENTIELLE	PRÉVENTION
<p style="text-align: center;"><b>RISQUE D'ASPHYXIE</b></p> 	<p>La mort ou de graves blessures pourraient survenir si vous inhalez des gaz dangereux rejetés par l'échappement du brûleur</p>	<p>N'utilisez jamais cet nettoyeur haute pression dans un lieu clos. Assurez-vous toujours que la ventilation est propice (air frais à l'extérieur) à la respiration et la combustion. Ceci empêchera la formation de gaz dangereux d'oxyde de carbone. Méfiez-vous des secteurs mal aérés, ou des secteurs où les ventilateurs ne peuvent assurer qu'un faible renouvellement d'air.</p> <p>Suivez toutes les instructions de sécurité fournies avec les matériaux que vous pulvérisiez. L'utilisation d'un respirateur peut être exigée en travaillant avec certains matériaux. N'utilisez pas ce nettoyeur haute pression pour vaporiser des détergents dangereux.</p>
<p style="text-align: center;"><b>RISQUE DE PIQÛRE OU DE COUPURES GRAVES</b></p> 	<p>La mort ou de graves blessures peuvent résulter de la pénétration du jet d'eau à haute pression dans la peau.</p>	<p>Restez à l'écart de la buse et du jet! Ne mettez jamais vos mains, doigts ou corps directement en face de la buse pulvérisatrice.</p> <p>L'utilisateur ne doit pas orienter le jet vers d'autres individus ou lui-même</p> <p>Ce produit doit être employé exclusivement par les utilisateurs qualifiés.</p> <p>Maintenez votre zone de travail à l'écart d'autrui.</p> <p>Une surveillance étroite est nécessaire quand l'appareil est utilisé près d'enfants. Ne permettez pas aux enfants de se servir de l'appareil!</p> <p><b>DEMANDER UN SECOURS MEDICAL SI LE JET SEMBLE AVOIR PENETRE LA PEAU! NE TRAITER PAS CELA COMME UNE SIMPLE COUPURE!!</b></p> <p>Les tuyaux à haute pression et les lignes d'alimentation en combustible doivent être inspectés quotidiennement pour surveiller l'état d'usure de l'appareil. Si des signes d'usure sont apparents, remplacez promptement tous les tuyaux et lignes d'alimentation en combustible suspects pour empêcher d'éventuels dommages du jet à haute pression. Si un tuyau ou un réglage de précision fuit, <b>NE METTEZ JAMAIS VOTRE MAIN DIRECTEMENT SUR LA FUITE.</b></p> <p>N'actionnez jamais le pistolet avec la gâchette bloquée en position ouverte. Pour empêcher le débit accidentel, la sécurité du pistolet de déclenchement doit être mise quand celui-ci ne sert pas.</p> <p>Avant d'enlever la buse de pulvérisation ou d'entretenir l'appareil, coupez <b>TOUJOURS</b> l'appareil, puis déclenchez le pistolet pour relâcher la pression. (même après l'arrêt de l'appareil, il y a encore de l'eau à haute pression dans la pompe, le tuyau et le pistolet jusqu'à ce que vous la relâchiez en pressant sur la gâchette du pistolet.)</p>




**INSTRUCTIONS IMPORTANTES DE SÉCURITÉ**  
LISEZ TOUTES LES INSTRUCTIONS DE SÉCURITÉ AVANT UTILISATION

RISQUE	CONSÉQUENCE POTENTIELLE	PRÉVENTION
<p><b>RISQUE DE BRÛLURE</b></p> 	<p>Ne pas toucher l'échangeur de chaleur sous peine de graves blessures. Ce secteur peut rester chaud pendant un certain temps après l'arrêt du nettoyeur haute pression.</p>	<p>Ne jamais laisser aucune partie de votre corps rentrer en contact avec l'échangeur de chaleur. Ne laissez pas l'appareil sans surveillance après l'arrêt et ce jusqu'à ce qu'il soit complètement refroidi comme stipulé dans les procédures d' " ARRÊT " énumérées à la page 20 de ce manuel.</p>
<p><b>RISQUE D'ÉCLATEMENT</b></p> 	<p>De graves blessures peuvent résulter d'une dysfonction de la machine ou d'éléments explosifs si les composants ou les accessoires de la machine sont inadéquats.</p> <p>Un danger de blessure sérieuse ou de mort existe si l'on essaye de démarrer le nettoyeur quand le système de pompage est gelé.</p>	<p>Ne faites jamais faire de modifications aux pressions pré-réglées d'usine</p> <p>N'excédez jamais l'estimation maximale de pression du fabricant des accessoires.</p> <p>Ne pas laissez de tuyau entrer en contact avec l'échangeur de chaleur afin d'éviter l'éclatement. Évitez de traîner les tuyaux sur des surfaces abrasives telles que le ciment.</p> <p>Pour la réparation, utiliser seulement les pièces recommandées par le fabricant pour votre nettoyeur haute pression.</p> <p>Par des températures en-dessous de zéro, l'appareil doit toujours être assez chaud pour empêcher la formation de glace dans la pompe. S'il a été transporté dans un véhicule ouvert ou mal chauffé, ne pas démarrer le nettoyeur avant d'avoir attendu le dégel de la pompe.</p>
<p><b>RISQUE PROVENANT DES PIÈCES MOBILES</b></p> 	<p>Les pièces mobiles peuvent provoquées de graves blessures.</p>	<p>Ne jamais faire de réglages de l'appareil quand celui-ci est connecté au secteur.</p> <p>Ne pas mettre l'appareil en route sans tous ses caches de protections.</p> <p>Suivez les instructions d'entretien indiquées dans le manuel.</p>


**INSTRUCTIONS IMPORTANTES DE SÉCURITÉ**  
LISEZ TOUTES LES INSTRUCTIONS DE SÉCURITÉ AVANT UTILISATION

RISQUE	CONSÉQUENCE POTENTIELLE	PRÉVENTION
<p data-bbox="186 231 503 294"><b>RISQUE DE BLESSURES CORPORELLES</b></p> 	<p data-bbox="560 231 974 325">La mort ou des blessures graves peuvent survenir si des détergents entrent en contact avec la peau.</p> <p data-bbox="560 1102 958 1228">De sérieuses blessures peuvent être causées par des débris propulsés à haute vitesse à partir du pistolet pulvérisateur</p>	<p data-bbox="998 231 1518 514"><b>APPELEZ UN MEDECIN</b> si vous utilisez des agents nettoyants et que le jet semble avoir pénétré la peau! <b>NE TRAITEZ PAS CELA COMME UNE SIMPLE COUPURE!</b> Préparez vous à dire à un médecin exactement quel genre de détergents vous employiez en regardant la fiche matérielle de sécurité (MSDS) fournie avec votre détergent.</p> <p data-bbox="998 567 1494 693">N'employez jamais aucun dissolvant ou détergent fortement corrosifs ou encore des décapants de type acides avec cette machine à pression.</p> <p data-bbox="998 745 1518 903">Le matériel vestimentaire de protection tel que les combinaisons en caoutchouc, les gants et les respirateurs sont recommandés, particulièrement en utilisant des détergents de nettoyage.</p> <p data-bbox="998 955 1453 1018">Gardez tous les détergents hors de la portée des enfants!</p> <p data-bbox="998 1113 1526 1239">Portez <b>TOUJOURS</b> les lunettes protectrices lorsque vous utilisez le nettoyeur, afin de vous protéger les yeux contre d'éventuels débris volants et de détergents.</p> <p data-bbox="998 1291 1477 1386">Ne dirigez pas le jet vers des matériaux fragiles comme le verre car ceux-ci pourraient se briser.</p> <p data-bbox="998 1438 1518 1659">Si le nettoyeur haute pression est équipé d'un dispositif de démarrage/arrêt automatique, l'appareil se coupera jusqu'à ce que le pistolet soit déclenché. Pour éviter une décharge accidentelle de haute pression, éviter de laisser la machine sans surveillance quand ce mode est enclenché.</p>

**INSTRUCTIONS IMPORTANTES DE SÉCURITÉ**  
LISEZ TOUTES LES INSTRUCTIONS DE SÉCURITÉ AVANT UTILISATION

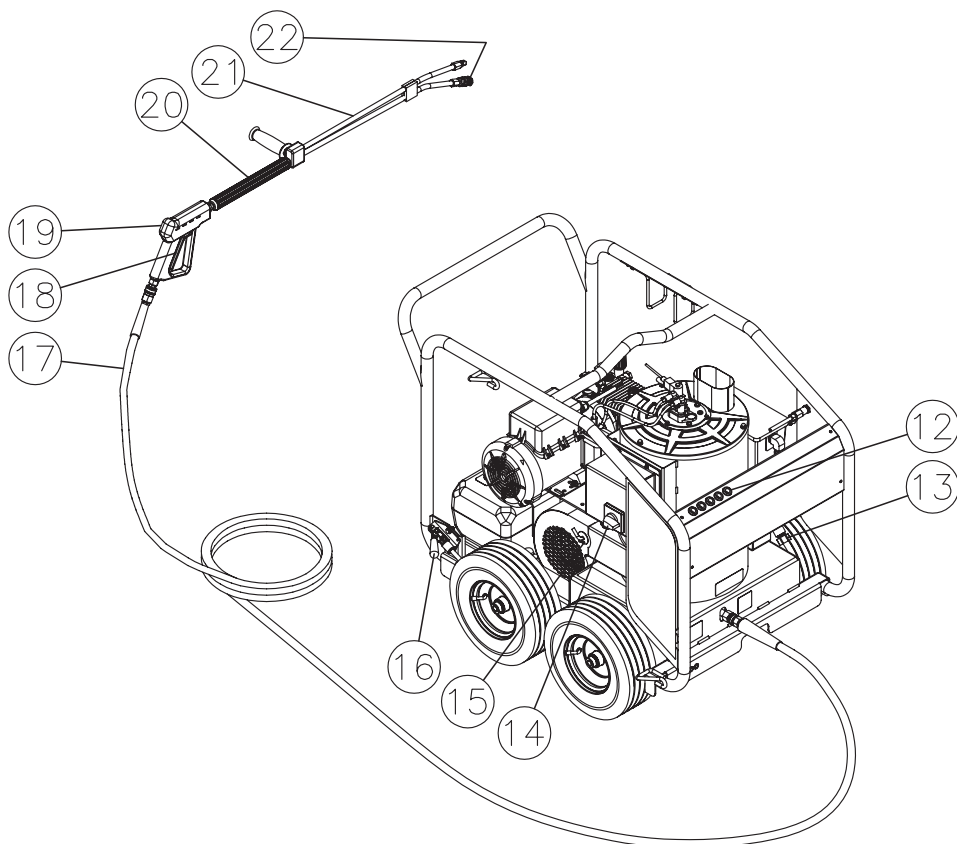
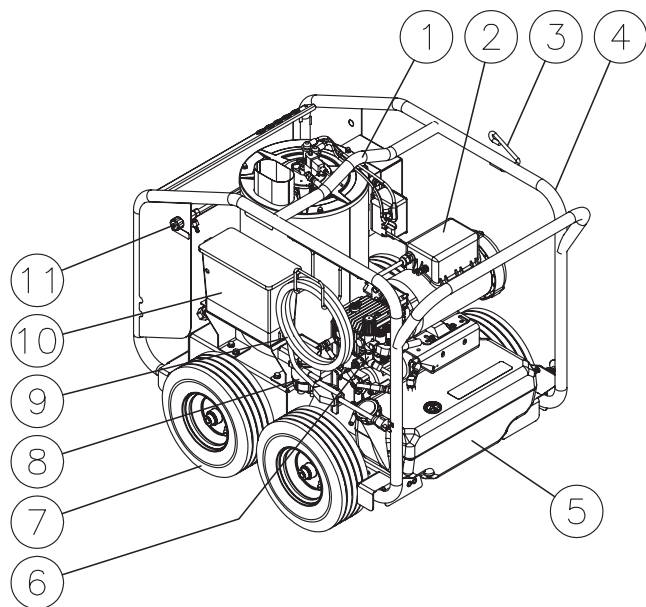
RISQUE	CONSÉQUENCE POTENTIELLE	PRÉVENTION
<p data-bbox="155 243 474 302"><b>RISQUE DE BLESSURES CORPORELLES</b></p> 	<p data-bbox="544 239 927 359">L'utilisateur pourrait se blesser s'il perd l'équilibre à cause de la poussée d'eau à haute pression dans la buse pulvérisatrice.</p>	<p data-bbox="987 239 1474 331">Restez alerte, observez bien ce que vous faites. N'utilisez pas l'appareil sous l'effet de la fatigue, de l'alcool ou de la drogue.</p> <p data-bbox="987 386 1474 445">Ne JAMAIS actionner la gâchette du pistolet sauf si la sécurité est enclenchée.</p> <p data-bbox="987 499 1474 592">Ne PAS tendre le bras trop loin ni se tenir sur un appui instable. Maintenez une bonne assise et un bon équilibre</p> <p data-bbox="987 646 1474 772">Les surfaces humides peuvent être glissantes, portez une protection pour les pieds, gardez une bonne assise et un bon équilibre en permanence.</p> <p data-bbox="987 827 1474 886">Ne jamais déclencher le pistolet lorsque vous êtes sur une échelle ou un toit.</p>

**INSTRUCTIONS IMPORTANTES DE SÉCURITÉ**  
LISEZ TOUTES LES INSTRUCTIONS DE SÉCURITÉ AVANT UTILISATION

RISQUE	CONSÉQUENCE POTENTIELLE	PRÉVENTION
<p data-bbox="203 241 521 300"><b>RISQUE DE BLESSURES CORPORELLES</b></p>  An icon showing a silhouette of a person running to the right. Three arrows point towards the person from the left, representing high-pressure water spray. The entire icon is enclosed in a square border.	<p data-bbox="597 241 992 300">Le nettoyeur haute pression peut blesser.</p>	<p data-bbox="1036 241 1521 363">Tenez <b>TOUJOURS</b> fermement le pistolet et la lance au démarrage et en utilisant l'appareil. Faute de quoi, la lance peut tomber et fouetter dangereusement .</p> <p data-bbox="1036 394 1521 516">Sachez stopper le nettoyeur haute pression et purger la pression rapidement. Soyez complètement au courant des contrôles.</p> <p data-bbox="1036 548 1521 669">Ne laissez pas l'appareil pressurisé sans surveillance. Coupez le nettoyeur haute pression relâchez la pression avant de partir.</p> <p data-bbox="1036 701 1521 886">Ne démarrez pas l'appareil si vous voyez toute fuite de carburant, de pétrole ou d'eau de la machine. Après coup, ne redémarrer l'appareil qu'après inspection et réparation de la machine par un personnel qualifié.</p> <p data-bbox="1036 917 1521 1199">Mettez l'appareil dans un endroit propre, sec, et plat pour l'entretien. Avant d'entretenir l'appareil: arrêtez l'appareil, relâcher la pression de l'eau du pistolet de déclenchement, et laisser l'appareil se refroidir. Entretenez la machine dans un endroit propre, sec, et plat. Si possible, bloquez les roues pour éviter que l'appareil ne se déplace.</p> <p data-bbox="1036 1230 1521 1268">Ne déplacez pas l'appareil en tirant sur le tuyau.</p>

 **!GARDEZ CES INSTRUCTIONS!** 

# CARACTÉRISTIQUES DES PETITS HSE UTILISANT RÉSERVOIR À FLOTTEUR

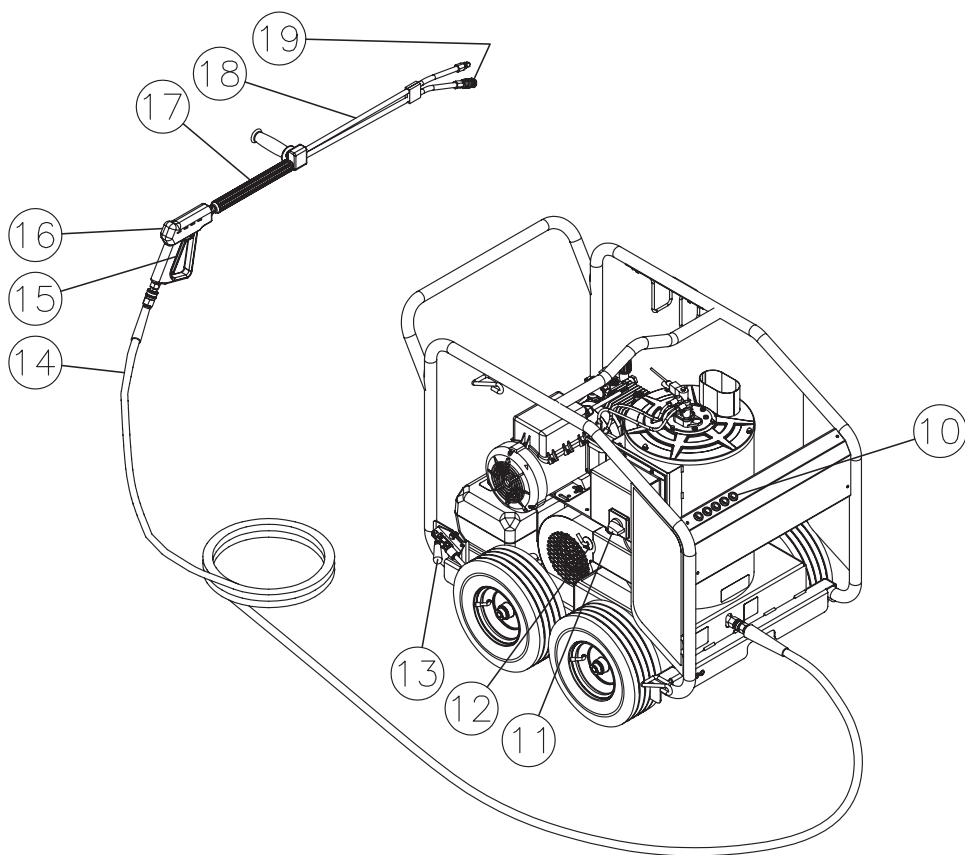
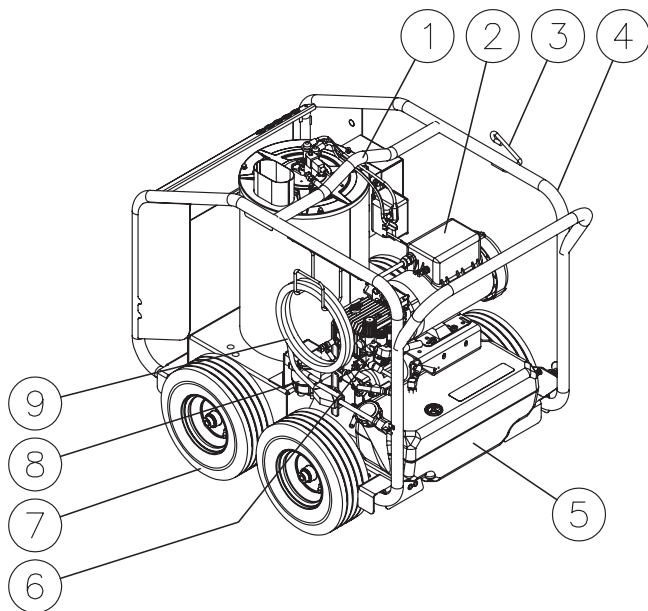


HSE SMALL FEATURES\_FLOAT TANK 022713

## CARACTÉRISTIQUES

1. Crochet de levage d'équilibre central
2. Moteur de pompe TEFC
3. Support de lance
4. Carénage de protection
5. Réservoir de carburant
6. Pompe à haute pression avec/déchargeur
7. Plats roues libres
8. Séparateur d'eau/carburant
9. Fil électrique de 35ft (10m)
10. Réservoir d'eau
11. Clapet de régulation des détergents
12. Porte-buse de pulvérisation
13. Admission d'eau
14. Interrupteur d'extinction /pompe/brûleur
15. Réglage d'air du brûleur
16. Frein
17. Tuyau à haute pression
18. Sécurité de déclenchement
19. Pistolet de déclenchement
20. Lance isolée
21. Lance double à pression réglable
22. Buse que les pulvérisations

# CARACTÉRISTIQUES DE HSE PETITE ALIMENTATION DIRECTE EN UTILISANT



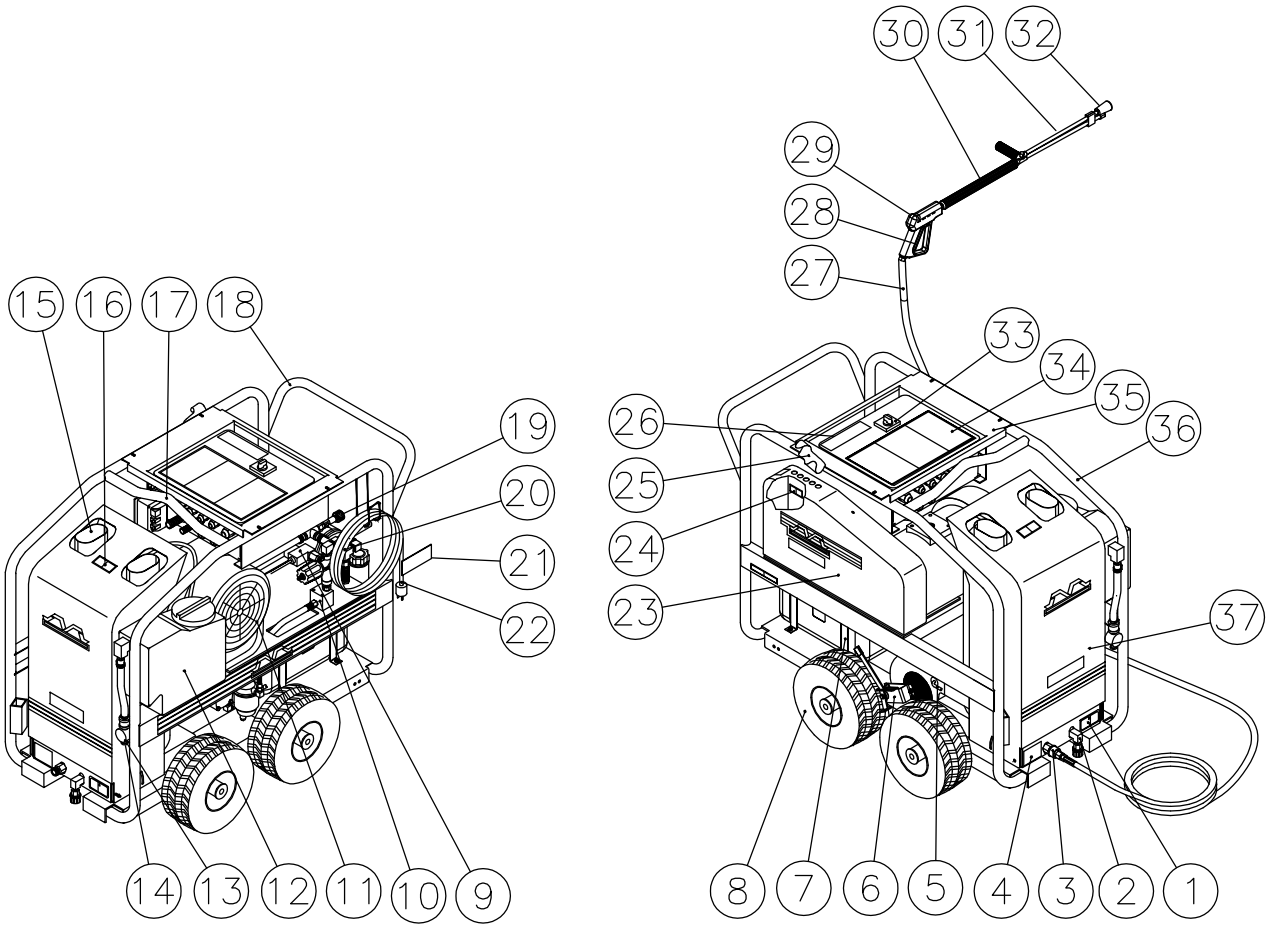
HSE SMALL FEATURES\_DIRECT FEED 022713

## CARACTÉRISTIQUES

1. Crochet de levage d'équilibre central
2. Moteur de pompe TEFC
3. Support de lance
4. Carénage de protection
5. Réservoir de carburant
6. Pompe à haute pression avec/déchargeur
7. Plats roues libres
8. Séparateur d'eau/carburant
9. Fil électrique de 35ft (10m)
10. Porte-buse de pulvérisation
11. Interrupteur d'extinction /pompe/brûleur
12. Réglage d'air du brûleur
13. Frein
14. Tuyau à haute pression
15. Sécurité de déclenchement
16. Pistolet de déclenchement
17. Lance isolée
18. Lance double à pression réglable
19. Buse que les pulvérisations

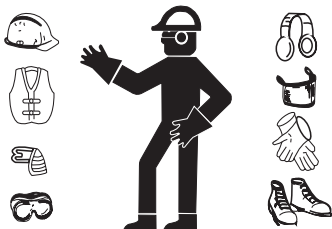


## CARACTERISTIQUES DU HSE-GROS



## CARACTÉRISTIQUES

1. Décalque: risque d'explosion
2. Vidange d'enroulement
3. Sortie à haute pression
4. Plaque de données
5. Réglage d'air du brûleur
6. Frein
7. Réservoir de carburant
8. Roues pneumatiques
9. Interrupteur à pression
10. Tuyau à haute pression
11. Moteur de pompe TEFC
12. Réservoir d'eau
13. Coupelle de la crépine
14. Admission d'eau
15. Echappement d'échangeur de chaleur
16. Décalque d'avertissement: chaud
17. Crochet de levage d'équilibre central
18. Poignée de Poussez/Tirez
19. Clapet de régulation des détergents
20. Décalque de mise en garde: Risque d'incendie
21. Décalque: étiquette d'accrochage
22. Fil électrique
23. Courroie de sécurité
24. Décalque d'avertissement attention/électrique
25. Tuyau à haute pression
26. Décalque d'avertissement: électrique
27. Tuyau à haute pression
28. Sécurité de déclenchement
29. Pistolet de déclenchement
30. Lance isolée
31. Lance double à pression réglable
32. Buse
33. Interrupteur (Arrêt/Marche/Brûleur)
34. Décalque d'avertissement/Attention/Opérationnel
35. Tableau de commande
36. Carénage de protection
37. Caches de protection



## INSTRUCTIONS D'INSTALLATION ET DE PRÉPARATION VÊTEMENT:

Le vêtement approprié est essentiel pour votre sécurité. Il est conseillé d'employer tous les moyens nécessaires pour protéger les yeux, les oreilles, et la peau. Un élément vestimentaire additionnel de sécurité (tel que le masque respiratoire) peut être exigé lors de l'utilisation d'agents nettoyants avec cette machine.



### **DANGER**

#### **RISQUE D'EXPLOSION OU D'INCENDIE**

**NE PAS PLACER L'APPAREIL DANS UN ENDROIT OU DES VAPEURS INFLAMMABLES PEUVENT ÊTRE PRÉSENTES. UNE ÉTINCELLE POURRAIT LE FAIRE EXPLOSER**

**RISQUE D'ÉCLATEMENT DE L'APPAREIL!  
NE PAS RANGER/UTILISER L'APPAREIL À DES TEMPÉRATURES GLACIALES**



### **AVERTISSEMENT**

#### **RISQUE D'ASPHYXIE!**

**N'UTILISER CE PRODUIT QUE DANS DES ZONES BIEN AÉRÉES**

**NE TRAVAILLEZ PAS DANS UN LIEU CLOS. L'ÉCHAPPEMENT CONTIENT DE L'OXYDE DE CARBONE, UN GAZ TOXIQUE, INODORE ET INVISIBLE. INHALER CE GAZ PEUT PROVOQUER DE SÉRIEUX DOMMAGES OU LA MORT.**

### **INSTALLATION:**

1. Cet appareil doit toujours être placé sur une surface plane afin d'assurer une lubrification appropriée de la pompe à eau pendant le fonctionnement. Ne JAMAIS pulvériser d'eau directement sur l'appareil.
2. N'employez pas l'appareil dans un endroit:
  - a. où la ventilation est insuffisante.
  - b. où il y a des traces de pétrole ou de carburant.
  - c. où des vapeurs de gaz inflammable peuvent être présentes.
3. Engagez le frein pour empêcher l'appareil de se déplacer tout en fonctionnant.
4. Ne laissez pas l'appareil exposé à la pluie, à la neige ou à des températures glaciales. Si une partie de l'appareil venait à geler, une pression excessive pourrait s'accumuler dans l'appareil, ce qui pourrait le faire éclater ayant pour résultat des dommages sérieux pour l'utilisateur ou pour des tiers .
5. Le niveau d'huile de pompe doit être vérifié avant chaque utilisation. Assurez-vous que l'huile est au point «Full» sur le jaugeur ou au centre de l'orifice de vérification d'huile. Si le niveau semble être bas, faites le plein avec de l'huile de pompe Mi-T-M, n #AW-7085-0016.



### **DANGER**

#### **RISQUE D'ÉLECTROCUTION!**

**CET APPAREIL DOIT ÊTRE CONNECTÉ À UNE PRISE MISE À LA TERRE. N'UTILISEZ PAS D'ADAPTATEUR ET NE RETIREZ PAS LE CONNECTEUR DE TERRE**

### **RACCORDEMENT DU CORDON DE SECTEUR:**

1. Assurez-vous que le commutateur du moteur est en position «off».
2. Assurez-vous que l'alimentation électrique est conforme aux caractéristiques stipulées de la plaque de données de la machine.
3. **INSTRUCTIONS POUR LA MISE À LA TERRE: Ce produit doit être raccordé à la terre. Si une dysfonction ou une panne devait survenir, la masse fournit un circuit de résistance moindre pour le courant électrique afin de réduire le risque de décharge. Ce produit est équipé d'un fil électrique ayant un conducteur pour la terre et une prise de masse. La fiche doit être branchée à une sortie appropriée correctement installée et reliée à la terre selon tous les codes et dispositions en vigueur locaux.**
4. **DANGER:** Un mauvais raccordement du conducteur de masse peut avoir comme conséquence un risque d'électrocution. Vérifiez avec un électricien ou un personnel de service qualifié si vous avez un doute quant au raccordement de la masse. Ne modifiez pas la prise fournie avec le produit – si elle ne rentre pas dans la prise de courant, faites installer une prise appropriée par un électricien qualifié. N'employez aucun type d'adaptateur avec ce produit.


A SUIVRE...

## INSTRUCTION D'INSTALLATION ET DE PRÉPARATION

5. GFCI (DISJONCTEUR DIFFÉRENTIEL à FAUTE de TERRE)
  - a. **MONOPHASE**: Si cette machine est fournie avec le GFCI (Ground Fault Circuit Interrupter : Disjoncteur différentiel) dans la prise ou le cordon d'alimentation, examinez le GFCI chaque fois qu'il est branché à une sortie selon les instructions du GFCI. N'utilisez pas la machine si l'essai échoue!  
Le GFCI assure une protection supplémentaire en cas de risque de décharge électrique. Si le remplacement de la prise ou du cordon devient nécessaire, employez seulement des pièces de rechange identiques qui incluent la protection GFCI.
  - b. **MONOPHASE**: Si cet appareil n'est pas fourni avec un GFCI, il doit en revanche être exclusivement relié à un réceptacle protégé par un GFCI afin de se conformer au code électrique national (NFPA 70) et fournir une protection supplémentaire contre le risque de décharge électrique.
  - c. **TRIPHASE**: Ces appareil ne sont pas équipés de protection de GFCI.
6. RALLONGES ÉLECTRIQUES: Le fabricant NE RECOMMANDE PAS L'UTILISATION DE RALLONGES ELECTRIQUES! Si l'utilisation d'une rallonge électrique est inévitable, elle doit être branchée à un GFCI se trouvant dans des boîtiers de circuit ou des réceptacles protégés. Lors de l'utilisation d'une rallonge électrique, consultez un électricien qualifié pour déterminer la mesure appropriée de fil électrique requise pour la longueur de la rallonge électrique.  
**MONOPHASE**: Utiliser exclusivement des rallonges électriques à trois fils qui ont des prises à trois connecteurs ainsi qu'une prise femelle à trois connecteurs acceptant la prise du produit.  
**TRIPHASE**: Utiliser exclusivement des rallonges électriques à quatre fils qui ont une prises de terre et trois connecteurs ainsi qu'une prise femelle à quatre connecteurs acceptant la prise du produit. Utiliser exclusivement des rallonges qui sont prévues pour l'usage extérieur. Ces rallonges sont identifiées par une inscription « approprié pour fonctionner avec des appareils extérieurs; ranger en intérieur entre chaque utilisation.» Utilisez seulement les rallonges ayant une intensité électrique au moins égale à l'intensité électrique du produit. N'employez pas de rallonges électriques abîmées. Examinez la rallonge avant chaque utilisation et remplacez la si elle est endommagée. Ne malmenez pas la rallonge et ne tirez sur aucun fil pour le débrancher. Tenez le fil électrique à l'écart de la chaleur et des bords coupants. Branchez et débranchez toujours la rallonge électrique du réceptacle avant de brancher ou débrancher celle-ci de l'appareil.
7. Assurez-vous que l'endroit se trouvant entre le fil de la machine et la prise est au sec
8. Insérez la fiche mâle dans une prise de courant alternatif mise à la terre. **N'utilisez pas un adaptateur ou ne retirez pas la prise de terre!!**

### RÉSERVOIR DE CARBURANT

1. Lire avec attention "Risque d'explosion ou d'incendie" p.34, avant remplissage.
2. Localisez les décalques de sécurité sur votre appareil et observez leurs avertissements.
3. Remplissez le réservoir de carburant avec du carburant propre de bonne qualité, fuel oil n° 1 ou n°2/ diesel ou kérosène. N'utilisez pas d'essence!



**AVERTISSEMENT**  
**RISQUE D'ELECTROCUTION!**

**POUR REDUIRE LE RISQUE D' ELECTROCUTION, GARDER LES CONNECTIONS SECHES ET AU DESSUS DU SOL. NE PAS TOUCHER LA PRISE LES MAINS MOUILLEES.**



**DANGER**  
**RISQUE D'INCENDIE!**

**-NE PAS FUMER EN REMPLISSANT LE RESERVOIR D'ESSENCE**  
**-NE PAS REMPLIR LE RESERVOIR QUAND L'APPAREIL EST CHAUD OU EN MARCHE. LAISSEZ L'APPAREIL REFROIDIR 2 MINS AVANT L'APPROVISIONNEMENT**  
**-NE PAS TROP REMPLIR LE RESERVOIR LAISSEZ TOUJOURS 1/4 DU RESERVOIR VIDE.**



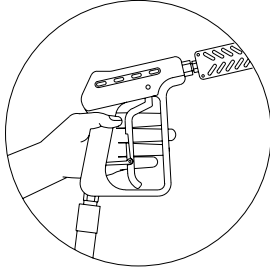
**AVERTISSEMENT**  
**RISQUE D'EXPLOSION OU D'INCENDIE!**

**RANGER LE CARBURANT LOIN DE L'APPAREIL LORSQUE CE DERNIER EST CHAUD OU EN MARCHE.**

## INSTALLATION & PRÉPARATION

### **AVERTISSEMENT** **RISQUE D'INJECTION CAUSANT** **DES BLESSURES GRAVES!**

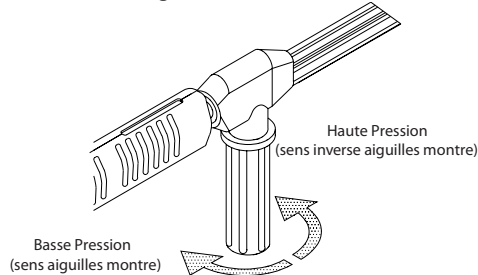
- LA SECURITE DU PISTOLET DOIT ETRE ENCLENCHEE ENTRE CHAQUE UTILISATION
- NE JAMAIS REGARDER DIRECTEMENT DANS LA BUSE SAUF SI CELLE CI EST DECONNECTEE DE LA DOUBLE LANCE.



### **LANCE DOUBLE A PRESSION REGLABLE:**

Cet appareil comporte une double lance à pression réglable qui permet à l'utilisateur de choisir une pulvérisation à haute ou basse pression. Tournez simplement la poignée réglable sur la double lance pour choisir la pression désirée.

1. Le choix de la haute pression peut être effectué en tournant la poignée réglable de la double lance dans le sens contraire des aiguilles d'une montre comme représenté sur la figure ci-dessous.
2. Le choix de la basse pression peut être effectué en tournant la poignée réglable sur la double lance dans le sens des aiguilles d'une montre comme représenté sur la figure ci-dessous.



### **RACCORDEMENT DE LA DOUBLE LANCE:**

1. Assurez-vous que le pistolet de déclenchement est bloqué en position "off".
2. Reliez la double lance au pistolet de déclenchement (si approprié). Assurez-vous que le raccordement est solidement serré.

### **APPROVISIONNEMENT EN EAU:**

1. Choisissez un tuyau d'approvisionnement en eau qui soit un tuyau de jardin de qualité mesurant au moins  $\frac{3}{4}$  in. (19mm) de diamètre et pas plus de 50 ft (15m).
2. Si votre appareil est équipé d'une crépine, assurez-vous qu'elle est propre et non obstruée. Le nettoyage périodique de la crépine aidera à empêcher des problèmes de pompe. Lorsqu'une crépine s'obstrue, elle limite l'écoulement d'eau à la pompe. Ceci peut avoir comme conséquence la cavitation qui causera la défaillance prématurée des joints de pompe.
  - a. Dévissez la coupelle de la crépine de l'appareil.
  - b. Enlevez le filtre de la crépine et nettoyez ou remplacez.
3. Reliez une extrémité du tuyau d'approvisionnement en eau à l'admission d'eau de l'appareil. Reliez l'autre extrémité à votre approvisionnement en eau pressurisé.

**NOTE:** *S'il y a une teneur en minéraux élevée dans votre eau, on recommande l'emploi d'un adoucissant afin empêcher la possibilité d'un dépôt excessif de calcaire à l'intérieur de l'enroulement d'échangeur de chaleur.*

4. Suivez les exigences pour l'eau entrante énumérées ci-dessous:
  - a. La pression de l'eau doit être entre un minimum de 20 PSI (1.4 kg/cm<sup>2</sup>) et un maximum de 125 PSI (8.8kg/cm<sup>2</sup>)
  - b. Le débit à l'entrée doit être approximativement un gallon (3.8l) de plus que le débit à la sortie, lequel est indiqué sur la plaque signalétique de la machine. (vous pouvez vérifier le débit en chronométrant en combien de temps il remplit un récipient de 5 gallons (19l)).
  - c. La température de l'eau à l'entrée ne doit pas excéder 125°F (52°C). La pompe peut subir des dommages si la température excède ce niveau.
5. Ne laissez jamais l'appareil fonctionner sans le tuyau d'arrivée d'eau raccordé et l'approvisionnement en eau complètement ouvert.



## INSTALLATION & PRÉPARATION

### DECHARGEUR:

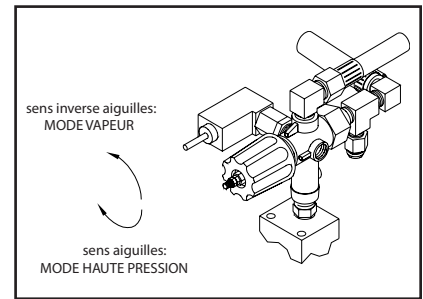
Modèles standard:

Le déchargeur a été préréglé à l'usine.

Modèles avec option de vapeur:

Le déchargeur a un bouton de réglage qui a un minimum/maximum. Tourner le déchargeur dans le sens des aiguilles d'une montre au maximum pour le fonctionnement eau froide/eau chaude. Tourner dans le sens contraire des aiguilles d'une montre au réglage minimum pour le fonctionnement en mode vapeur.

### VALVE DU DECHARGEUR



### SOUPEPE DE DECHARGE DE LA CHALEUR:

S'assurer que la température de l'eau n'excède pas la limite de tolérance, ne jamais laisser la machine fonctionner en mode de déviation (l'appareil en marche et le déclenchement fermé) pendant plus de trois minutes.

Une clapet de décharge de la chaleur a été ajouté à cet appareil pour protéger la pompe. Cet clapet ouvrira et relâchera l'eau si la température de l'eau dans la pompe a excédé 140° F (60°C). Ceci permettra à de l'eau fraîche d'entrer dans le système, empêchant par là même la défaillance prématurée des joints de pompe.

### PROCÉDURES D'INSPECTION DE PRÉDÉMARRAGE:

Avant de démarrer l'appareil, exécutez les procédures suivantes:

1. Inspectez les cordons électriques pour s'assurer qu'il n'ont pas de coupure. Si une coupure est trouvée, **NÉ TOUCHEZ PAS OU N'UTILISER PAS LE CORDON!** Remplacez le cordon avant de démarrer l'appareil.
2. Vérifiez le niveau d'huile dans la pompe.
3. Inspectez la crépine d'admission de l'eau. Nettoyez ou remplacez au besoin. Voir "approvisionnement en eau", # 2, page 46.
4. Vérifiez tous les raccordements de flexibles pour s'assurer qu'ils sont solidement serrés.
5. Vérifiez qu'il n'y a pas de fuites d'eau du système, de fuites d'huile et de fuites de carburant. Si vous trouvez une fuite de carburant, **NE DEMARREZ PAS L'APPAREIL!** Voir "risque d'explosion ou d'incendie", page 34. Assurez-vous que toutes les pièces endommagées sont remplacées et de que les problèmes mécaniques sont corrigés avant utilisation de l'appareil. Si vous avez besoin d'assistance, entrez en contact avec le service clientèle.
6. Inspectez les flexibles à haute pression afin de déceler d'éventuelles compressions, coupures ou fuites. Si vous trouvez une coupure ou une fuite, **N'UTILISEZ PAS LE TUYAU!** Remplacez le avant de démarrer l'appareil. Voir "risque de piqûre ou de coupure grave", page 35. Assurez-vous que toutes les pièces endommagées sont remplacées et que les problèmes mécaniques sont corrigés avant l'utilisation de l'appareil. Si vous avez besoin d'assistance, prenez contact avec le service clientèle.



**FIN DES CONSIGNES DE PRÉPARATION**





# **AVERTISSEMENT**

**LES PAGES SUIVANTES CONTIENNENT LES CONSIGNES D'UTILISATION ET D'ENTRETIEN**

**NE TENTEZ PAS DE FAIRE FONCTIONNER L'APPAREIL AVANT D'AVOIR LU ET COMPRIS TOUTES LES INSTRUCTIONS DE SÉCURITÉ CONTENUES DANS CE MANUEL.**

**L'UTILISATION INAPPROPRIÉE DE CET APPAREIL PEUT CAUSER DES BLESSURES SÉRIEUSES**

**NE PAS ALTERER OU MODIFIER L'ÉQUIPEMENT EN AUCUNE MANIÈRE!**



## CONSIGNES D'UTILISATION



### AVERTISSEMENT

**RISQUE DE DOMMAGES POUR L'APPAREIL.**

ASSUREZ VOUS QUE LE PISTOLET DECLENCHEUR ET LA DOUBLE LANCE NE SONT PAS RACCORDES LORS DE LA VIDANGE DU SYSTEME LA VIDANGE PERMET AU SYSTEME D'EVACUER LES DEPOTS MINERAUX, QUI OBSTRUERAIENT OU ENDOMMAGERAIENT LA BUSE ET LE PISTOLET DECLENCHEUR, PROVOQUANT DES REPARATIONS COUTEUSES.

### VIDANGE DU SYSTEME:

Cet appareil a un enrouleur en acier qui, après réglage, fera en sorte que l'eau restante dans l'enrouleur de la précédente utilisation tourne au brun ou au noir. Cette eau doit être vidangée du système avant le démarrage. Ce procédé doit être exécuté sans le tuyau à haute pression, pistolet et double lance installés.

### MODELES D'ALIMENTATION DIRECTE:

1. Allumez l'approvisionnement en eau.
2. L'eau à basse pression commencera à couler de la sortie d'eau. Ceci permet à l'appareil de rincer toutes les particules du système. L'appareil est rincé quand l'eau est claire.
3. Une fois que le système est rincé, enclencher le commutateur en position "OFF" et reliez le tuyau à haute pression à la sortie d'eau de l'appareil.
4. Raccordez le pistolet de déclenchement et la double lance au tuyau à haute pression.
5. Allumez l'approvisionnement en eau.

### MODÈLES RÉSERVOIR À FLOTTEUR:

1. Allumez l'approvisionnement en eau.
2. Enclenchez le commutateur en position "pompe". L'eau à basse pression commencera à couler de la sortie d'eau. Ceci permet à l'appareil de rincer toutes les particules du système. L'appareil est rincé quand l'eau est claire.
3. Une fois que le système est rincé, enclencher le commutateur en position "OFF" et reliez le tuyau à haute pression à la sortie d'eau de l'appareil.
4. Raccordez le pistolet de déclenchement et la double lance au tuyau à haute pression.



### AVERTISSEMENT

**RISQUE D'INJECTION CAUSANT DES BLESSURES GRAVES!**

**-ELOIGNEZ VOUS DE LA BUSE! NE PAS METTRE LES MAINS OU LES DOIGTS DEVANT LA BUSE!**

**-NE PAS DIRIGER LE JET DIRECTEMENT SUR DES PERSONNES OU ANIMAUX DOMESTIQUES!**

**-L'OPTION AUTOMATIQUE DEMARCHE/ARRET COUPERA L'APPAREIL JUSQU'AU DÉCLENCHEMENT DU PISTOLET. AFIN D'ÉVITER UN ACCIDENT AVEC LE JET À HAUTE PRESSON, NE LAISSEZ PAS L'APPAREIL SEUL LORSQU'IL EST SUR CE MODE.**

### DEMARRAGE/FONCTIONNEMENT A L'EAU FROIDE:

1. Référez-vous aux "mesures de sécurité" pgs. 32-39 avant de démarrer l'appareil.
2. Localisez les décalques de sécurité sur votre appareil et observez leurs avertissements.
3. Assurez-vous que le commutateur est en position "OFF".
4. En dirigeant le pistolet de déclenchement dans une direction sûre, désenclenchez la sécurité du pistolet de déclenchement et pressez la gâchette. Préparez-vous au possible contrecoup du pistolet quand la pompe démarra.
5. Enclenchez le commutateur en position "pompe".
6. Une fois que l'appareil a démarré, exécutez les procédures suivantes avec le pistolet ouvert:
  - a. Déceler les éventuelles fuites d'eau de système, les fuites d'huile et les fuites de carburant. Si une fuite de carburant est trouvée, **ARRÊTEZ L'APPAREIL IMMÉDIATEMENT!** Voir "Risque d'explosion ou d'incendie", page 34. Assurez-vous que toutes les pièces endommagées sont remplacées et que les problèmes mécaniques sont corrigés avant utilisation de l'appareil. Si vous avez besoin d'assistance, entrez en contact avec le service clientèle.
  - b. Inspectez les tuyaux à haute pression afin d'y déceler une éventuelle compression, coupure ou fuite. Si vous trouvez une coupure ou une fuite, **NE TOUCHEZ PAS LE TUYAU QUI FUIT!!! ARRÊTEZ L'APPAREIL IMMÉDIATEMENT!** Remplacez le tuyau avant de démarrer l'appareil. Voir "Risque de piqûre ou de coupure grave" page 35. Assurez-vous que toutes les pièces endommagées sont remplacées et que les problèmes mécaniques sont corrigés avant le fonctionnement de l'appareil. Si vous avez besoin d'assistance, entrez en contact avec le service clientèle.

## CONSIGNES D'UTILISATION

### DEMARRAGE/FONCTIONNEMENT A L'EAU FROIDE (suite):

7. Pour l'instant, l'appareil fonctionne comme nettoyeur haute pression d'eau froide. Déclenchez le pistolet plusieurs fois et essayez d'ajuster la pression de l'eau en tournant la poignée de la double lance. Ne mettez jamais la main ou les doigts devant la buse et ne regardez jamais directement dans la buse! L'eau à haute pression provoque un risque de blessure grave!
8. Ne jamais laisser l'appareil fonctionner en mode de déviation (avec le déclenchement fermé) pendant plus de trois minutes. Le non-respect de cette règle simple peut causer la défaillance prématurée des joints de pompe, il en résulterait une réparation coûteuse de la pompe.

**NOTE:** Si cet appareil est équipé du dispositif de Marche/Arrêt automatique, il s'arrêtera de lui-même si le pistolet n'est pas déclenché après un temps prédéfini. L'appareil redémarrera quand le pistolet sera actionné. Le dispositif automatique Marche/Arrêt est pré-réglé à l'usine pour s'arrêter à 90 secondes. Il peut être réglé par un technicien de service autorisé pour s'arrêter après une non-utilisation d'un minimum de 3 secondes à un maximum de 5 minutes.

9. Votre appareil peut délivrer un jet à haute pression et des types variés de jet en utilisant l'eau froide. Si vous souhaitez utiliser l'eau chaude, la vapeur ou le nettoyage avec des détergents, voir la page 45 pour les procédures correctes.



### **ATTENTION**

#### **RISQUE DE DOMMAGES**

**NE PAS DIRIGER LE JET AU MEME ENDROIT PENDANT LONGTEMPS. DES DOMMAGES POSSIBLES POURRAIENT AFFECTER L'ENDROIT**

### FONCTIONNEMENT À L'EAU CHAUDE:

1. Suivez les étapes 1-8 données pour " DEMARRAGE/FONCTIONNEMENT A L'EAU FROIDE " .
2. Enclenchez le commutateur en position "brûleur". Au démarrage, l'eau commencera à chauffer en approximativement 20 secondes et atteindra la température maximale en approximativement 2-1/2 minutes, si la gâchette reste pressée. Le brûleur cesse de chauffer quand la gâchette est relâchée.

**NOTE:** Pendant la pulvérisation, il est normal que le brûleur chauffe par intermittence. Le commutateur thermique fera cesser la combustion quand la température de l'eau déchargée excédera la température réglée sur le commutateur. La combustion recommencera quand la température de l'eau chutera au dessous du réglage minimum.

Après cela, l'appareil fonctionne comme nettoyeur haute pression d'eau chaude. Soyez extrêmement prudent en réglant la pression et en inspectant le pistolet de déclenchement / double lance afin d'éviter la possibilité de brûlures.



### **AVERTISSEMENT**

#### **RISQUE DE BRÛLURE!**

**LA TEMPERATURE DE L'EAU PEUT DEVENIR TRÈS ELEVÉE PENDANT LE FONCTIONNEMENT A LA VAPEUR. SOYEZ PRUDENT EN REGLANT LA PRESSION ET EN MANIPULANT LA DOUBLE LANCE ET LE PISTOLET DE DÉCLENCHEMENT!**

## CONSIGNES D'UTILISATION

### FONCTIONNEMENT A LA VAPEUR:

1. Suivez les étapes 1-8 données pour " DEMARRAGE/FONCTIONNEMENT A L'EAU FROIDE ".
2. Assurez-vous que le clip à l'extrémité de la double lance est assez froid pour pouvoir le toucher, puis retirez la buse à haute pression pour le remplacer par la buse de vapeur. Retirez la tuyau à haute pression pour le remplacer par la tuyau de vapeur.
3. Tournez le bouton du déchargeur complètement dans le sens contraire des aiguilles d'une montre au réglage minimum.
4. Tournez le commutateur sur "vapeur".

**NOTE:** Le brûleur s'arrêtera si le commutateur est tourné sur "vapeur" sans réglage préalable du déchargeur au minimum ou en marche en mode haute pression.)

**Après cela, l'appareil fonctionne comme nettoyeur haute pression de vapeur. Soyez extrêmement prudent en réglant la pression et en inspectant le pistolet de déclenchement /double lance pour éviter la possibilité de brûlures.**

### NETTOYAGE AVEC DES DETERGENTS:

**NOTE:** Ce dispositif est conçu pour être utilisé avec les détergents doux uniquement. Parce que la solution de nettoyage circule par de diverses parties de la machine, n'employez pas de corrosifs car ils causeront des dommages conséquents et présenteront un risque considérable en matière de sécurité.

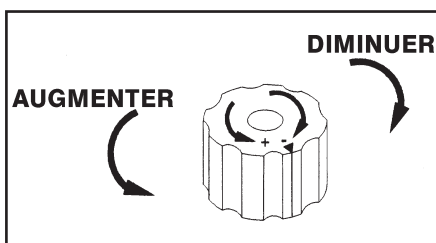
1. Référez-vous à "risques de blessures physiques/ détergents" page 37-39. Assurez-vous de porter un vêtement de sécurité comme indiqué à la page 44.
2. Préparez la solution détersive selon les directives de l'étiquette. (jamais d'acides de pompe, alcalines, fluides abrasifs ou de dissolvants dans l'appareil. En raison des produits inconnus souvent corrosifs de beaucoup de détergents généralement utilisés dans l'industrie de nettoyage, il est recommandé d'employer uniquement des détergents doux avec cet appareil.)
3. Immergez entièrement l'extrémité de la crépine du tuyau de détergent vinylique clair dans la solution détersive.
4. ALIMENTATION DIRECTE: S'assurer que la poignée réglable de la lance double est complètement tournée dans le sens des aiguilles d'une montre pour l'utilisation de détergents à basse pression.

**NOTE:** Ce système d'injection est conçu seulement pour l'application de détergents sous basse pression. Les solutions de détergents ne pourront pas être introduites dans le système si la lance double n'est pas réglée en mode basse pression.

**RÉSERVOIR À FLOTTEUR:** Versez la quantité de détergent désirée. Tournez la valve de régulation complètement dans le sens contraire des aiguilles d'une montre pour le régler au taux maximum de siphon.

5. Pour appliquer la solution; ouvrez le pistolet de déclenchement et presser la gâchette. En quelques instants un mélange de détergent/eau sortira de la buse. Commencez à pulvériser la partie inférieure de la surface à nettoyer et relevez-vous, tout en décrivant de longues courbes. L'application du produit du bas vers le haut aide à éviter les stries. Laissez brièvement imbiber. Évitez de travailler sur les surfaces chaudes ou au soleil pour réduire au minimum les chances du séchage de détergent, qui peut avoir comme conséquence d'abîmer ces surfaces. Appliquez la solution de nettoyage petite section par petite section.
6. Pour rincer, verrouiller le pistolet de déclenchement en position d'arrêt (OFF).  
ALIMENTATION DIRECTE: Tourner la poignée réglable de la lance double dans le sens inverse des aiguilles d'une montre pour haute pression.  
RÉSERVOIR À FLOTTEUR: Tournez la valve de régulation des détergents dans la position "OFF". Pressez la gâchette du pistolet de déclenchement. Cela prendra environ 30 secondes pour purger tout le détersif. Pour de meilleurs résultats au rinçage, commencez par le haut et finissez pas le bas.
7. Siphonnez un gallon d'eau par le système d'injection du détergent après chaque utilisation. Cela empêche la corrosion ou le résidu détersif qui pourraient poser des problèmes mécaniques à la prochaine utilisation.

### VALVE DE RÉGULATION DES DETERGENTS



## CONSIGNES DE FONCTIONNEMENT

### ARRÊT:

1. Enclencher le commutateur en position "pompe".
2. Pressez la gâchette et déchargez l'eau pendant une période de trois minutes pour refroidir l'échangeur de chaleur et le tuyau à haute pression. (Un temps de refroidissement du tuyau à haute pression insuffisant abîmera le tuyau et augmentera les risques de rupture de celui-ci.)
3. Déplacez le commutateur à la position de "OFF". (l'option automatique de Marche/Arrêt stoppera l'appareil, mais l'arrêt de total exige du commutateur d'être déplacé en position "OFF".)
4. Arrêtez l'approvisionnement en eau et actionnez le pistolet momentanément afin de relâcher la pression.
5. Débranchez et vidangez le tuyau à haute pression, le pistolet, et la double lance. Essayez l'appareil et entreposez le dans un environnement où la température est supérieure à 0°C.

 <b>DANGER</b> <b>RISQUE D'INJECTION CAUSANT DE GRAVES BLESSURES!</b> <b>-L'ACTION AUTOMATIQUE DE MARCHE/ARRET COUPERA L'APPAREIL JUSQU'AU DÉCLENCHEMENT DE LA GACHETTE. L'ARRÊT TOTAL EXIGE QUE LE COMMUTATEUR "OFF/PUMP/BURNER/STEAM" SOIT TOURNÉ EN POSITION "OFF".</b> <b>-AFIN D'EMPECHER DES ACCIDENTS AVEC LE JET À HAUTE PRESSION, NE PAS LAISSER L'APPAREIL SANS SURVEILLANCE SANS QUE L'INTERRUPTEUR SOIT EN POSITION "OFF"</b>
---

---

## CONSIGNES DE STOCKAGE ET D'ENTRETIEN:

### ENTRETIEN SPECIFIQUE:

**POMPE:** Changez l'huile de pompe après les 50 premières heures d'utilisation. Après quoi, il est recommandé de changer l'huile tous les trois mois ou 250 heures. Si l'huile semble sale ou laiteuse, des changements d'une plus grande fréquence peuvent être exigés. Employez l'huile de pompe SAE20 ou 30 et remplissez seulement au centre de l'orifice de vérification d'huile. Ne remplissez pas au-dessus du niveau.

**COUPLEURS RAPIDES:** Il y a des joints toriques à l'intérieur des coupleurs qui se détérioreront. Pour le remplacement, installez simplement un joint torique de rechange pour stopper la fuite. (des joints toriques supplémentaires peuvent être achetés chez votre revendeur.)

**BUSE:** L'eau à haute pression dans la buse de pulvérisation rongera l'orifice, le rendant plus grand, ayant pour résultat une perte de pression. Les buses doivent être remplacées toutes les fois que la pression baisse au-dessous de 85% du maximum. La fréquence du remplacement dépendra des variables telles que la teneur en minéraux dans l'eau et le nombre d'heures d'utilisation de la buse.

**SÉPARATEUR d'EAU/CARBURANT :** le filtre de carburant est encastré dans l'extracteur d'eau. De temps en temps l'eau doit être vidangée de l'extracteur. Suivez les procédures énumérées ci-dessous:

1. Vérifiez quotidiennement la cuvette de récupération.
2. Assurez-vous que l'appareil est éteint et placez une bassine de récupération d'huile sous la cartouche de combustible
3. Débouchez le bouchon de vidange et laissez couler le carburant et l'eau souillés
4. Resserrez le bouchon de vidange une fois terminé.
5. Débarrassez-vous des eaux usées selon les règlements en vigueur dans votre région.

## CONSIGNES DE STOCKAGE ET D'ENTRETIEN

### ENTRETIEN SPECIFIQUE (suite):

REGLAGE d'AIR de BRÛLEUR: L'obturateur d'air a été préréglé en usine pour un fonctionnement approprié entre le niveau de la mer et 2000 pieds (600 m) d'altitude aux conditions standard (des températures d'air et d'eau ambiantes de 60°F (15°C)). Pour assurer une efficacité de combustion maximum à des températures plus froides et des altitudes plus élevées, il conviendra de régler l'alimentation en air sur la chambre de combustion. Il est recommandé d'utiliser un testeur de fumée pour tout réglage de l'obturateur d'air. Ceci aidera à maximiser l'efficacité de brûleur et évitera que le fonctionnement devienne inefficace et que la chambre de combustion ne s'encrasse de manière excessive.

1. La machine et le brûleur doivent être en marche
2. Utilisez un testeur de fumée afin de déterminer le niveau d'air requis pour la combustion appropriée.
  - a. si le résultat est plus grand qu'un smoke #3, tournez le bras de l'obturateur dans le sens contraire des aiguilles d'une montre pour augmenter la circulation d'air dans la chambre de combustion.
  - b. Si le résultat devient jaunâtre, tournez le bras de l'obturateur dans le sens des aiguilles d'une montre pour diminuer la circulation d'air dans la chambre de combustion.
3. Maintenez le levier de réglage de l'obturateur d'air en position et desserrez l'écrou. Déplacez l'obturateur par incréments de 1/8" (3mm) et resserrez l'écrou de blocage après chaque mouvement de 1/8".
4. Pressez plusieurs fois lentement sur la gâchette du pistolet afin de s'assurer qu'il y a allumage correct. Pas de ou un tousotement léger à l'allumage, et un résultat de test de fumée de 0-3 est bon.
5. Répétez les étapes 2 et 3 jusqu'à ce que l'étape 4 soit atteinte.

FUITES: Éliminez rapidement toutes les fuites trouvées dans le système de pompage en retirant les pièces suspectes, et en appliquant du mastic aux filetages avant de les réinstaller.

**NOTE:** *Si vous utilisez du ruban en téflon, assurez-vous qu'aucune partie de la bande adhésive ne se retrouve dans une quelconque tuyauterie afin d'empêcher la possibilité d'un bouchon pour la buse de pulvérisation.*

## CONSIGNES DE STOCKAGE ET D'ENTRETIEN

### PREPARATION POUR L'HIVER:

Pour le stockage et le transport dans des températures glaciales, il faudra préparer l'appareil pour l'hiver. Cet appareil doit être protégé aux plus basses températures pour les raisons suivantes:

- a. si n'importe quelle partie du système de pompage venait à geler; un trop-plein de pression pourrait s'accumuler dans l'appareil, ce qui pourrait le faire éclater, il en résulterait des blessures graves pour l'utilisateur ou des tiers.
- b. le système de pompage de cet appareil peut être endommagé de manière permanente si il gèle. Les DOMMAGES de GEL NESONTPASCOUVERTS PAR LA GARANTIE.

Si vous devez entreposer votre appareil dans un endroit où la température peut tomber en dessous de 32°F (0°C) vous pouvez tout de même protéger votre appareil en utilisant la procédure ci-dessous.

1. Rassemblez les éléments suivants:
  - a. deux récipients de 5 gallons (19l).
  - b. un gallon d'antigel. (employez un antigel qui protège l'environnement.)
  - c. un approvisionnement d'eau.
  - d. un tuyau de trois pieds (0.9 m), 1/2-3/4 ID avec un adaptateur male de 3/4 inch (19mm) pour tuyau de jardin .
2. Procédure:
  - a. pour commencer la préparation pour l'hiver, l'appareil doit être mis en marche selon "Démarrage/ Fonctionnement à l'eau froide" exposé page 43.
  - b. après la mise en route, coupez l'appareil et l'alimentation en eau.
  - c. relâcher la pression du système en dirigeant le pistolet de déclenchement dans une direction sûre et en pressant la gâchette jusqu'à ce que l'eau cesse de couler de la lance.
  - d. bloquez le pistolet de déclenchement en position "OFF" et régler la double lance sur le mode de basse pression.

**NOTE:** La préparation pour l'hiver correcte se base sur les instructions du fabricant énumérées sur le "tableau de protection" visible sur l'étiquette arrière de la plupart des récipients d'antigel.

---

### MODELES D'ALIMENTATION DIRECTE:

1. Enlever le tuyau d'alimentation en eau de l'appareil et bien attacher le tuyau de 3 pieds (91cm) au raccord d'admission.
2. Fermer l'injecteur en détergent (si applicable).
3. Remplir un récipient de 5 gallons (19 litres) avec de l'eau.
4. Tout en tenant le tuyau de 3 pieds (91 cm) en position droite, le remplir entièrement avec de l'eau. Puis boucher le côté ouvert du tuyau avec votre pouce ou doigt. Mettre le côté bouché dans le récipient d'eau de 5 gallon (19 litres).
5. Mettre l'appareil en marche. Déclencher le pistolet plusieurs fois jusqu'à ce que tout l'air soit expulsé (l'appareil sera amorcé).
6. Avec le pistolet à gâchette en position ouverte, siphonner assez d'eau du récipient de 5 gallons (91 cm) jusqu'à ce qu'il en reste juste assez pour mélanger avec l'antigel.
7. Diriger le pistolet à gâchette dans le récipient vide. (Veiller toujours à porter des vêtements de protection pour vous protéger contre les éclabousses.)
8. Appuyer sur la gâchette du pistolet jusqu'à ce que l'antigel commence à sortir du pistolet. Relâcher la gâchette pendant 3 secondes, puis appuyer sur la gâchette pendant 3 secondes. Répéter ce cycle du pistolet plusieurs fois jusqu'à ce que tout le mélange d'antigel soit siphonné du récipient .
9. Mettre l'appareil à l'arrêt.
10. Détacher le tuyau de 3 pieds (91 cm) de l'appareil et vider tout excès d'antigel dans le récipient de 5 gallons (19 litres).





## CONSIGNES DE STOCKAGE ET D'ENTRETIEN

### PREPARATION POUR L'HIVER (SUITE):

#### MODÈLES RÉSERVOIR À FLOTTEUR:

1. Enlever le couvercle du réservoir à flotteur.
2. Mettre l'appareil en marche et appuyer sur la gâchette jusqu'à ce que le réservoir à flotteur soit presque vide.
3. Mettre l'appareil à l'arrêt.
4. Mélanger l'antigel et l'eau dans un récipient qui peut être utilisé pour verser le mélange dans le réservoir à flotteur.
5. Mettre l'appareil en marche. Diriger le pistolet à gâchette dans le récipient vide. Appuyer sur la gâchette du pistolet jusqu'à ce que l'antigel commence à sortir du pistolet. Répéter ce cycle du pistolet plusieurs fois jusqu'à ce que tout le mélange d'antigel soit siphonné du récipient.
6. Mettre l'appareil à l'arrêt.

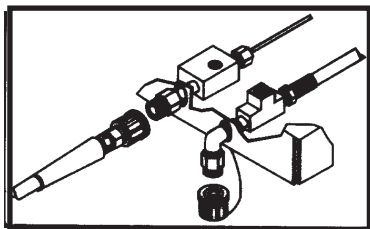
- 
- e. démontez le tuyau et le pistolet de déclenchement de l'appareil et vidangez le surplus d'antigel dans le récipient de 5 gallons (19l)
  - f. entreposez le tuyau, pistolet de déclenchement et double lance avec l'appareil dans un endroit sûr où la température est au-dessus de 0°C. Entreposez la solution d'antigel en attendant le prochain usage ou débarrassez-vous en selon les lois du pays.
  - g. Entreposer la solution d'antigel pour une utilisation future ou s'en débarrasser selon les lois EPA d'état.

#### 3. PROCÉDURE FACULTATIVE:

- a. stoppez l'appareil ainsi que l'approvisionnement en eau
- b. relâcher la pression du système en dirigeant le pistolet de déclenchement dans une direction sûre et en pressant la gâchette jusqu'à ce que l'eau cesse de couler de la buse.
- c. débranchez et vidangez le tuyau, le pistolet de déclenchement et la double lance.
- d. enlevez le bouchon de vidange d'enroulement de l'admission d'échangeur de chaleur.
- e. démarrez l'appareil et laissez la en marche jusqu'à ce que toute l'eau s'écoule de l'appareil. Après quoi, éteignez l'appareil.

**NOTE:** *En utilisant cette procédure, faites attention car des morceaux de glace peuvent former des gouttes d'eau qui pourraient faire éclater l'appareil si on le démarrait avant qu'il soit totalement dégelé.*

#### BOUCHON DE VIDANGE D'ENROULEMENT



## GUIDE DE DÉPANNAGE

SYMPTÔME	CAUSE PROBABLE	SOLUTION
Le moteur de la pompe refuse de fonctionner.	<p>Surcharge Circuit électrique.</p> <p>GFCI (disjoncteur différentiel) déclenché.</p> <p>Surcharge moteur.</p> <p>L'option Marche/Arrêt automatique est utilisée</p>	<p>Vérifier le disjoncteur mural ou le fusible.</p> <p>Réenclencher</p> <p>Réenclencher le bouton de surchauffe sur le moteur de la pompe ou du panneau de contrôle électrique intérieur.</p> <p>Pointez le pistolet dans une direction sûre et pressez la gâchette.</p>
Aucune décharge ne sort de la buse lorsque la gâchette est pressée.	<p>Approvisionnement en eau inadéquat.</p>	<p>S'assurer que le tuyau a un diamètre intérieur de <math>\frac{3}{4}</math> de pouce (1.9cm) et que l'alimentation en eau est ouverte.</p>
Aucune pression ou pression fluctuante.	<p>Pli dans le tuyau d'admission d'eau.</p> <p>Pli dans le tuyau à haute pression.</p> <p>Crépine de l'admission d'eau obstruée.</p> <p>La pompe aspire de l'air (Amorçage éliminé).</p> <p>La poignée de réglage de la lance n'est pas en mode haute pression.</p> <p>La buse de pulvérisation est obstruée ou usée.</p> <p>Ensemble Valve usée ou endommagée.</p> <p>Garnitures de pompe usées.</p> <p>Le déchargeur/La soupape de dérivation ne fonctionne pas correctement.</p> <p>Dépôt calcaire dans l'enrouleur de l'échangeur de chaleur.</p>	<p>Déplier.</p> <p>Remplacer le tuyau à haute pression défectueux.</p> <p>Retirer la crépine, nettoyer ou remplacer.</p> <p>Resserrer tous les raccords d'arrivée d'eau. Éliminer les fuites dans les canalisations d'arrivée d'eau.</p> <p>Tourner la poignée (sens des aiguilles d'une montre) en mode haute pression.</p> <p>Retirer et nettoyer ou remplacer.</p> <p>Retirer et nettoyer ou remplacer.</p> <p>Remplacer les garnitures.</p> <p>Réparer ou remplacer.</p> <p>Détartrer.</p>



## GUIDE DE DÉPANNAGE

SYMPTÔME	CAUSE PROBABLE	SOLUTION
De l'eau fuit de la soupape de décharge de chaleur.	<p>La température d'admission d'eau est trop élevée.</p> <p>La température de l'eau est trop élevée.</p> <p>Soupape défectueuse.</p>	<p>La température de l'eau entrante doit être inférieure à 125°F (52°C).</p> <p>Ne laissez pas l'appareil fonctionner en mode de dérivation (avec le pistolet de déclenchement fermé) pendant plus de trois minutes.</p> <p>Remplacer.</p>
L'huile est laiteuse ou écumeuse.	Présence d'eau dans l'huile.	Changer l'huile de la pompe. Remplir au niveau correct.
De l'huile s'écoule de l'appareil.	Joint ou joints toriques usés.	Contactez le service clients.
Le détergent ne se siphonne pas.	<p>La crépine n'est pas complètement immergée dans la solution de détergent.</p> <p>La crépine à détergent est obstruée.</p> <p>Le tuyau à détergent est coupé, obstrué ou plié.</p> <p>Le bouton de réglage du détergent est en position fermé.</p>	<p>Vérifier, immerger au besoin.</p> <p>Inspecter, nettoyer ou remplacer.</p> <p>Inspecter, nettoyer ou remplacer.</p> <p>Ouvrir le bouton de réglage. Voir page 52 «Nettoyage avec des détergents ».</p>
Le détergent n'est pas siphonné pendant le mode «Détergent à basse pression».	<p>La poignée de réglage sur la double lance n'est pas en mode basse pression.</p> <p>Trop de rallonges de tuyau à haute pression sur l'alimentation en eau.</p> <p>La buse est bouchée.</p> <p>Le système bille/ressort est bloqué dans le Venturi.</p>	<p>Tournez la poignée dans le sens des aiguilles d'une montre au mode basse pression</p> <p>Utiliser UNE rallonge au maximum</p> <p>Nettoyer ou remplacer.</p> <p>Retirer, nettoyer ou remplacer.</p>
L'eau refoule dans le réservoir à détergent.	Valve manquante ou corrodée.	Retirer, nettoyer ou remplacer.
L'eau s'écoule de la buse lorsque le pistolet déclencheur est verrouillé en position «Off ».	Le pistolet déclencheur est défectueux.	Réparer ou remplacer
L'eau s'écoule au-dessous de l'enrouleur de l'échangeur de chaleur.	<p>Le bouchon de vidange n'est pas en place.</p> <p>Le dispositif de sécurité s'est déclenché à cause d'un dysfonctionnement de l'interrupteur de décharge ou de pression.</p>	<p>Le mettre en place.</p> <ol style="list-style-type: none"> <li>Détecter et corriger le problème de l'interrupteur de décharge ou de pression.</li> <li>Remplacer le dispositif de sécurité. Ne jamais utiliser l'appareil sans le dispositif de sécurité. Sinon, il pourrait en résulter une explosion.</li> </ol>

## GUIDE DE DÉPANNAGE

SYMPTÔME	CAUSE PROBABLE	SOLUTION
Le brûleur refuse de s'allumer.	L'interrupteur n'est pas en position «brûleur ».	Vérifier la position de l'interrupteur.
	Pas de courant.	Contacter le service clients.
	Plus de carburant.	Faire le plein (Repositionner le contrôle primaire du brûleur ou les options cad cell).
	La crépine d'admission du carburant est obstruée.	Contacter le service clients.
	Le pistolet déclencheur est fermé.	Ouvrir le pistolet déclencheur pour avoir de la pression.
	Forçage de l'interrupteur pression.	La pression doit être supérieure à 250 PSI (17.5 Kg/cm <sup>2</sup> ) pour permettre au brûleur de fonctionner.
	Le limiteur de température s'est activé.	L'appareil redémarrera automatiquement après refroidissement
	Le coupleur du flexible est cassé.	Remplacer.
	Filtre/Extracteur d'eau sales ou bouchés.	Purger ou remplacer.
	La pompe à carburant aspire de l'air.	Resserrer les raccords d'arrivée de carburant. Eliminer les fuites dans les canalisations d'arrivée de carburant.
	La pompe à carburant est inopérante.	Vérifier la pression, remplacer si nécessaire.
	Le gicleur est sale ou bouché.	Remplacer.
	Mauvais réglage d'air du brûleur.	Régler comme expliqué à la page 54.
	Défaillance du transformateur d'allumage.	Remplacer.
	Electrodes d'allumage usées ou cassées.	Vérifier à travers la vitre du brûleur qu'il y a des étincelles entre les électrodes pendant que l'appareil est en marche avec la gâchette fermée.
Défaillance de la valve solénoïde de carburant.	Remplacer.	
Mode PSI élevé.	Vérifier que le commutateur Brûleur/ Vapeur est sur le mode Brûleur.	
<b>Option Vapeur</b> Mode vapeur.	Vérifier que le commutateur Brûleur/ Vapeur est sur le mode Vapeur	
Mode vapeur : La pression (PSI) de la tête de pompe est trop élevée.	Réduire la pression à 350 PSI (25 kg/cm <sup>2</sup> ).	
<b>Option cad cell.</b> Le contrôle primaire est verrouillé.	Réinitialiser.	

## GUIDE DE DÉPANNAGE

SYMPTÔME	CAUSE PROBABLE	SOLUTION
Le moteur de brûleur refuse de fonctionner.	<p>L'interrupteur n'est pas en position «brûleur ».</p> <p>Pas de courant.</p> <p>Surcharge moteur.</p> <p>Pompe à carburant grippée.</p> <p>Ventilateur grippé.</p>	<p>Vérifier la position de l'interrupteur.</p> <p>Contacter le service clients.</p> <p>Le moteur se remet automatiquement en marche quand il refroidit.</p> <p>Laisser le moteur refroidir. Réparer ou remplacer.</p> <p>Laisser le moteur refroidir. Réparer ou remplacer.</p>
Le moteur tourne irrégulièrement.	<p>Présence d'eau dans le carburant.</p> <p>Filtre à carburant/séparateur d'eau sales.</p> <p>Gicleur carburant sale.</p> <p>Crépine d'admission de carburant obstruée.</p> <p>Mauvais réglage de l'air.</p> <p>Dysfonction de la pompe à carburant.</p>	<p>Vidanger le filtre à carburant/ l'extracteur d'eau. Vidanger le réservoir de carburant, et remplacer par du carburant propre.</p> <p>Remplacer.</p> <p>Remplacer.</p> <p>Contacter le service clients.</p> <p>Régler comme expliqué page 54.</p> <p>Remplacer.</p>
Le brûleur est en marche, mais ne chauffe pas.	<p>Approvisionnement en carburant incorrect ou insuffisant.</p> <p>Faible pression de la pompe à carburant.</p> <p>Gicleur sale.</p> <p>Crépine d'admission de carburant obstruée.</p> <p>Réglage de l'air incorrect.</p> <p>Dépôt calcaire dans l'enrouleur de l'échangeur de chaleur.</p>	<p>Vérifier si le carburant est correct. Vidanger le réservoir, remplacer le filtre si nécessaire, et faire le plein avec du carburant propre.</p> <p>Vérifier la pression de la pompe à carburant, régler ou remplacer si nécessaire.</p> <p>Remplacer.</p> <p>Contacter le service clients.</p> <p>Régler comme expliqué à la page 54.</p> <p>Contacter le service clients.</p>

## GUIDE DE DÉPANNAGE

SYMPTÔME	CAUSE PROBABLE	SOLUTION
De la fumée blanche sort du brûleur	Pas assez de carburant.	Remplir le réservoir. Si la fumée persiste, contacter le service clients.
	Approvisionnement en carburant incorrect ou insuffisant.	Vérifier la pression de la pompe à carburant, régler ou remplacer si nécessaire.
	Gicleur à carburant sale.	Remplacer.
	Crépine d'admission de carburant obstruée.	Contacteur le service clients.
	Réglage d'air incorrect.	Régler comme expliqué à la page 54.
	La chambre de combustion est froide au démarrage.	Laisser tourner le brûleur plusieurs minutes.
	Arrivée d'air trop importante.	Régler comme expliqué à la page 54.
De la fumée noire sort du brûleur.	Arrivée d'air insuffisante.	Régler comme expliqué à la page 54.
	Présence de carburant non brûlé dans la chambre de combustion.	Contacteur le service clients.

## TABLEAU D'ENTRETIEN

PROCEDURE	JOUR	3 MOIS	6 MOIS	9 MOIS	12 MOIS
Inspecter le cordon électrique	X				
Tester le GFCI	X				
Tester le voltage et l'ampérage					X
Vérifier le niveau d'huile de pompe à eau	X				
Changer l'huile de pompe à eau **		X	X	X	X
Inspection de fuite d'huile	X				
Inspection de fuite de carburant	X				
Inspection de fuite d'eau	X				
Inspection du tuyau	X				
Inspection du filtre d'admission d'eau	X				
Inspection du filtre à combustible/extracteur d'eau	X				
Inspection de la courroie		X	X	X	X
Remplacement de la buse à haute pression***		X	X	X	X
Remplacement du filtre à combustible/extracteur d'eau					X
Inspection du filtre de pompe à essence*					X
Remplacement du gicleur*					X
Vérifier le réglage d'air du brûleur		X	X	X	X
Vérifier les électrodes du brûleur*					X
Tester la pression de l'eau*		X	X	X	X
Tester la pression du carburant*		X	X	X	X
Tester la température de l'eau*		X	X	X	X
Détartre l'enrouleur****					X

\* Doit être exécuté par un technicien de service autorisé

\*\* L'huile de pompe doit être changée après les 50 premières heures et toutes les 250 heures ou 3 mois, faire au plus tôt de ces deux valeurs.

\*\*\* La buse à haute pression doit être remplacée chaque fois que la pression est à moins de 85%

\*\*\*\* Le dépôt calcaire est amené à varier avec la teneur en minéraux dans l'eau et la fréquence d'utilisation. La fréquence de désincrustation peut varier de la semaine à l'année.

## OPTIONS

		HSE-1002-0MG10	HSE-1502-0MG10	HSE-2003-0MG10	HSE-1002-0MM11	HSE-1502-0MM11	HSE-2003-0MM11	HSE-2504-0M10	HSE-2504-0M30	HSE-3004-0M10	HSE-3004-0M30	HSE-3504-0M10	HSE-3504-0M30
HX-0070	De Début Et De Fin Automatique							X	X	X	X	X	X
HX-0071	Vapeur De Début Et De Fin Automatique							X	X				
HX-0072	Vapeur De Début Et De Fin Automatique									X	X		
HX-0073	Vapeur De Début Et De Fin Automatique											X	X
HX-0074	Vapeur / Cad De Début Et De Fin Automatique							X	X	X	X	X	X
HX-0075	Vapeur / Cad De Début Et De Fin Automatique							X	X				
HX-0076	Vapeur / Cad De Début Et De Fin Automatique									X	X		
HX-0077	Vapeur / Cad De Début Et De Fin Automatique											X	X
HX-0085	480 Volt								X				
HX-0086	480 Volt										X		
HX-0087	480 Volt												X
HX-0088	Pieds De Dérapage							X	X	X	X	X	X
HX-0161	Mètre D'heure							X	X	X	X	X	X
HX-0232	Steam	X	X										
HX-0233	Thermostat Réglable	X	X	X	X	X	X						
HX-0235	Mètre D'heure	X	X	X	X	X	X						
HX-0237	De Début Et De Fin Automatique	X	X	X	X	X	X						
HX-0238	Arret Differe	X	X	X	X	X	X						
HX-0239	Vapeur				X	X							
HX-0240	Vapeur			X									
HX-0241	Vapeur						X						
50-0161	Détergents À Haute Pression				X	X	X						

## ACCESSOIRES

		HSE-1002	HSE-1502	HSE-2003	HSE-2504	HSE-3004	HSE-3504
15-0006	Tuyau D'approvisionnement 3/4"	X	X	X	X	X	X
50-0195	Bobine De Tuyau 13" (Tient 100' De Tuyau)	X	X	X	X	X	X
50-0196	Bobine De Tuyau 16" (Tient 200' De Tuyau)	X	X	X	X	X	X
50-0140	Parenthèse Pour La Bobine De Tuyau (22" Bar)	X	X	X			
852-0161	Tuyau Souple De Raccordement Pour La Bobine De Tuyau (4000 PSI)	X	X	X			
852-0138	Tuyau Souple De Raccordement Pour La Bobine De Tuyau (4000 PSI)				X	X	X
850-0174	Tuyau De Prolongation 50' (3000 PSI)	X	X	X	X		
850-0199	Tuyau De Prolongation 50' (4500 PSI)	X	X	X	X	X	X
AW-3000-0035	Bec De Carbone De Sableuse*			X			X
AW-3000-0004	Bec De Carbone De Sableuse*	X			X	X	
AW-4085-0016	Huile De Pompe	X	X	X	X	X	X
AW-7002-4045	Bec Tournant* (2000 Psi)	X					
AW-7004-0045	Bec Tournant* (3000 Psi)				X	X	
AW-7010-0001	Bec Tournant* (3600 Psi)		X	X			X
AW-7003-1500	Brosse Tournante *	X	X	X	X	X	X
AW-7018-1200	Baguette Magique D'extention 12' ** (3000 PSI)	X	X	X	X	X	
AW-7018-1800	Baguette Magique D'extention 18' ** (3000 PSI)	X	X	X	X	X	
AW-7018-2400	Baguette Magique D'extention 24' ** (3000 PSI)	X	X	X	X	X	
AW-7020-8003	Rotatoire Nettoyeur Surface 20" ** (4000 PSI)	X	X	X	X	X	X
AW-7020-8001	Rotatoire Nettoyeur Surface 28" ** (4000 PSI)	X	X	X	X	X	X

\* Nécessite 17-0028 6.35mm (1/4") femelle Quick Connect

\*\* Nécessite 17-0004 9.525 mm (3/8") femelle Quick Connect

\*\*\* PSI et gal/min doivent être spécifiés lors de la commande.

Tous Purpose Cleaner, peinture Surface Prep, House & Deck Wash et Heavy Duty dégraissant sont des détergents spécialement formulés pour une utilisation avec tous les nettoyeurs haute pression d'HSE et sont emballés dans 3.785L (1g), 18.925L (5g) et 208.175L (55g). Contact Service clientèle au (800) 553-9053 pour plus d'informations.



### BON DE GARANTIE:

Le fabricant garantit toutes les pièces, (excepté celles stipulées ci-dessous), de votre nouveau nettoyeur à pression d'eau chaude en cas de défauts de matériaux et de fabrication pendant les périodes suivantes:

Pour une vie de la congélation et de fendre:

Collecteur de la pompe

Pendant sept (7) années à partir de la date d'achat:

Pompe à haute pression

Pendant trois (3) années à partir de la date d'achat:

Enroulement d'échangeur de chaleur

Pendant deux (2) années à partir de la date d'achat:

Armature

Tuyauterie

Protection

Poulies

Pendant un (1) an à partir de la date d'achat:

Interrupteurs de sélection

Cordon électrique GFCI

Contacteur de Starter

Surcharge

Thermostat réglable

Pendant six (6) mois à partir de la date d'achat:

Transformateur d'allumage

Moteur du brûleur

Pendant quatre vingt dix (90) jours à partir de la date d'achat

Valve de régulation

Electrodes

Commandes de sécurité

Solénoïde de carburant

Pompe à essence

mano-contact de pression

limite haut de thermostat

Pendant trente jours (30) à partir de la date d'achat

Tuyau à haute pression

Pistolet de déclenchement

Crépine/ Filtres

Double lance

Des pièces défectueuses dont la cause n'est ni l'usure normale ni la détérioration seront réparées ou remplacées après examen pendant la période de garantie. Quoiqu'il arrive, le remboursement est limité au prix d'achat.

### EXCLUSIONS:

1. Le moteur est garanti séparément par son fabricant et est sujet aux limites ci-inclus.

2. Usure normale des pièces

Garnitures d'étanchéité de pompe

Busés de pulvérisation

Valves de pompe

Valve à détergent

Filtre à essence

Coupleurs rapides

Bagues

Ceintures

3. Cette garantie ne couvre pas les pièces endommagées par l'usure normale, une mauvaise utilisation, un fonctionnement à des vitesses, pressions ou températures différentes de celles recommandées. Les pièces endommagées ou usées par l'utilisation de liquides caustiques ou par l'utilisation dans des environnements abrasifs ou corrosifs ou encore dans des conditions provoquant la cavitation de la pompe ne sont pas garanties. La garantie ne couvre pas les dégâts provoqués par un mauvais suivi des procédures de fonctionnement et d'entretien.

4. L'utilisation de pièces de réparation autres que celles d'origine annule la garantie.

Les pièces renvoyées en port payé, à notre usine ou à un centre commercial agréé seront inspectées et remplacées gratuitement si elles sont effectivement défectueuses après estimation, et si elles entrent dans les conditions de la garantie. Il n'existe aucune garantie prolongeant les date d'expiration stipulées ci-dessus. Le fabricant n'est en aucun cas responsable des pertes d'usage, de temps ou de location, du dérangement, des pertes commerciales ou des dommages qui en résultent.

Pour toute question de service ou de garantie, s'adresser à  
Mi-T-M Corporation, 8650 Enterprise Drive, Peosta, IA 52068-0050  
Tél.: (563) 556-7484 / (800) 553-9053 Fax (563) 556-1235  
Du lundi au vendredi, de 8 h à 17 h (H.N.C.)

## TABLA DE MATERIAS

<b>INTRODUCCION.....</b>	<b>71</b>
<b>ADVERTENCIAS IMPORTANTES DE SEGURIDAD.....</b>	<b>72-75</b>
RIESGO DE ELECTROCUCIÓN O CHOQUE ELÉCTRICO.....	72
RIESGO DE EXPLOSIÓN O INCENDIO.....	73
RIESGO DE ASFIXIA.....	73
RIESGO DE EXPLOSIÓN.....	73
RIESGO DE INYECCIÓN O LESIÓN SEVERA POR CORTADURA.....	74
RIESGO DE QUEMADURAS.....	74
RIESGO POR PIEZAS EN MOVIMIENTO.....	74
RIESGO DE LESIÓN.....	75
<b>CARACTERISTICAS.....</b>	<b>76-79</b>
CARACTERÍSTICAS HSE PEQUEÑAS	
UTILIZANDO EL TANQUE DE FLOTADOR.....	76-77
CARACTERÍSTICAS DE HSE PEQUEÑO QUE	
UTILIZAN ALIMENTACIÓN DIRECTA.....	78-79
CARACTERISTICAS HSE-BASE GRANDE.....	80-81
<b>INSTALACION Y PREPARACION.....</b>	<b>82-85</b>
VESTIMENTA.....	82
PREPARACION.....	82
CONEXION DEL CORDON ELECTRICO.....	82-83
DEPOSITO DEL COMBUSTIBLE QUEMADOR.....	83
LANZA DUAL DEL PRESION REGULABLE.....	84
CONEXION DE LA LANZA DUAL.....	84
SUMINISTRO DE AGUA.....	84
DESCARAGDOR.....	85
VALVULA DE DESCARGA TERMICO.....	85
PROCEDIMIENTOS DE INSPECCION ANTES DEL ARRANQUE.....	85
<b>NOTA.....</b>	<b>86</b>
<b>INSTRUCCIONES DE OPERACION.....</b>	<b>88-90</b>
DESALOJANDO LA SISTEMA.....	88
OPERACION DE ARRANCAR / AQUA FRIO.....	88-89
OPERACION DE AQUA CALIÉNTE.....	89
OPERACION DE VAPOR.....	89
LIMPIEZA CON DETERGENTES.....	90
APAGADO.....	90
<b>ALMACENAMIENTO Y MANTENIMIENTO.....</b>	<b>91-93</b>
MANTENIMIENTO ESPECIFICO.....	91
PREPARACION PARA EL INVIERNO.....	92-93
<b>LOCALIZACION DE FALLAS.....</b>	<b>94-97</b>
<b>TABLA MANTENIMIENTO.....</b>	<b>98</b>
<b>OPCIÓN.....</b>	<b>99</b>
<b>ACCESORIOS.....</b>	<b>100</b>
<b>DECLARACION DE GARANTIA.....</b>	<b>101</b>

**⚠ WARNING**

**ADVERTENCIA:** Este producto tiene plomo, una sustancia química conocida al Estado de California a causar cáncer y defectos de nacimiento u otro daño reproductivo.

*Lávese las manos despues de usar este producto.*

**⚠ ADVERTENCIA**

Este producto contiene química conocido por el estado de California a causar cancer, defectos de nacimiento, y otros peligros reproductor.

## INTRODUCCION

¡Felicitaciones por la compra de su nueva Mi-T-M Serie-HSE lavadora a presión! Puede estar seguro que su lavadora a presión fue construida con el nivel más alto de precisión y exactitud. Cada componente ha sido probado rigurosamente por técnicos para asegurar la calidad, la resistencia y el rendimiento de esta unidad. Con más de veinte años de experiencia en la construcción de lavadoras a presión, usted ha tomado una sabia decisión en seleccionar una lavadora a presión.

Este manual del operador fue compilado para su beneficio. Leyendo y siguiendo los pasos simples de seguridad, instalación, operación, mantenimiento y localización de fallas descritos en este manual ayudará a prolongar aun más la operación libre de fallas que usted puede esperar de su nueva lavadora a presión. El contenido de este manual está basado en la información actualizada disponible al momento de la publicación. Mi-T-M se reserva el derecho de efectuar cambios en precio, color, materiales, equipo, especificaciones o modelos en cualquier momento sin previo aviso.

### ¡IMPORTANTE!

Estos párrafos están rodeados por una “CASILLA DE ALERTA DE SEGURIDAD”. Esta casilla se usa para designar y enfatizar las Advertencias de Seguridad que deben seguirse al operar esta lavadora a presión. Acompañando a las Advertencias de Seguridad están las “palabras de alerta” que designan el grado o nivel de seriedad de riesgo. Las “palabras de alerta” usadas en este manual son las siguientes:

**PELIGRO:** Indica una situación inminente riesgosa la cual, si no se evita, RESULTARA en la muerte o en lesiones graves.

**ADVERTENCIA:** Indica una situación potencialmente riesgosa la cual, si no se evita, PODRIA resultar en la muerte o en lesiones graves.



**PRECAUCION:** Indica una situación potencialmente riesgosa la cual, si no se evita PUEDE resultar en lesiones menores o moderadas.



El símbolo indicado a la izquierda de este párrafo es el “Símbolo de Alerta de Seguridad”. Este símbolo se usa para alertarlo acerca de artículos o procedimientos que podrían ser peligrosos para usted u otras personas usando este equipo.



**PROVEA SIEMPRE UNA COPIA DE ESTE MANUAL A CUALQUIER PERSONA QUE USE ESTE EQUIPO. LEA TODAS LAS INSTRUCCIONES ANTES DE OPERAR ESTA LAVADORA A PRESION, OBSERVANDO EN PARTICULAR LAS “ADVERTENCIAS DE SEGURIDAD” PARA EVITAR LA POSIBILIDAD DE LESIONES PERSONALES AL OPERADOR.**



Escriba el número de serie de su unidad en el espacio provisto abajo, una vez que la unidad haya sido desempacada.

NUMERO DE SERIE \_\_\_\_\_

Inspeccione por daño el contenido de la caja. Si algo parece dañado, NO LA DEVUELVA AL LUGAR DE COMPRA. Llame a su representante de servicio al cliente de al 800-553-9053.


Por favor tenga disponible la información siguiente para todas las llamadas de servicio:

1. Número de modelo
2. Número de serie
3. Fecha y lugar de compra

Mi-T-M Corporation  
8650 Enterprise Drive  
Peosta, IA 52068-0050

## ADVERTENCIAS DE SEGURIDAD





PELIGRO: Deben observarse siempre las precauciones básicas, incluyendo las siguientes.  
 Lea todas Las advertencias de seguridad antes de usar la lavadora a presión.

PELIGRO	POSIBLE CONSECUENCIA	PREVENCIÓN
<p style="text-align: center;"><b>RIESGO DE ELECTROCUCIÓN O CHOQUE ELÉCTRICO</b></p> 	<p>Pueden ocurrir lesiones serias o fatales si la lavadora a presión no se conecta debidamente a tierra. Su lavadora a presión funciona con electricidad y puede causar choques eléctricos o electro-cución si no se utiliza correctamente.</p> <p>El choque eléctrico puede ocurrir a través del cordón de alimentación.</p> <p>Pueden sufrirse lesiones graves o fatales debido al contacto con la electricidad.</p> <p>Pueden ocurrir lesiones serias o fatales si personas no calificadas intentan realizar reparaciones eléctricas.</p>	<p>Este producto debe conectarse a tierra. Asegúrese de que la lavadora a presión esté equipada con un Interruptor de circuito de falla a tierra (Ground Fault Circuit Interrupter, GFCI) incorporado en el cordón de alimentación. Si no lo tiene, debe conectarse la lavadora a presión únicamente en un receptáculo que esté protegido por un Interruptor de circuito de falla a tierra. Desconéctela cuando no esté en uso.</p> <p>Si su unidad tiene (GFCI) no caiga el GFCI porque puede causar peligro. Si cago-Sea segura a examinar el GFCI antes de usar para ser seguro que funciona bien. (Mira los instrucciones de GFCI par los procedimientos a examiner.)</p> <p>Siempre sea seguro que esta maguine tiene el voltage corecto-antes de enclufar la unidad a un lugar poderoso sea seguro que la varilla esta cerrado.</p> <p>No modifique el enchufe provisto con el producto. Si no se ajusta al tomacorriente, haga instalar uno adecuado por un electricista calificado. No use ningún tipo de adaptador.</p> <p>Revise el cordón de alimentación en busca de señales de compresión, cortes o daños por calor. Si es necesario cambiar el enchufe o el cordón, use sólo repuestos idénticos.</p> <p>No use cordones de extensión con esta lavadora a presión.</p> <p>Mantenga todas las conexiones secas y alejadas del piso. No permita que los cordones de alimentación queden en agua o en posiciones tales que puedan tomar contacto con el agua. No toque el enchufe con las manos mojadas.</p> <p>Nunca tire el cordón de la salida para desconecta o tire la unidad por el cordón.</p> <p>¡NO dirija el rocío hacia instalaciones eléctricas de ninguna clase! Esto incluye tomas eléctricas, lámparas, cajas de fusibles, transformadores, la unidad misma, etc.</p> <p>NO permita que los componentes de metal de la lavadora a presión entren en contacto con componentes eléctricos cargados.</p> <p>Nunca opere la lavadora a presión sin las protecciones de seguridad o si éstas están dañadas.</p> <p>Cualquier cableado o reparación eléctrica que se realice en esta lavadora a presión debe efectuarlos el personal de servicio autorizado de acuerdo con los códigos nacionales y locales de electricidad.</p> <p>Antes de abrir cualquier caja eléctrica, siempre apague la lavadora a presión, alivie la presión y desenchufe la lavadora a presión de su fuente de alimentación. Deje que la unidad se enfríe. Nunca suponga que la lavadora a presión es segura para trabajar en ella sólo porque no está en funcionamiento, podría ponerse en marcha en cualquier momento. Realice el servicio en una área limpia, seca y plana.</p>



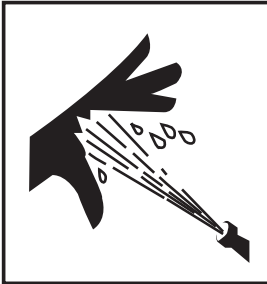


## ADVERTENCIAS DE SEGURIDAD

Lea todas Las advertencias de seguridad antes de usar la lavadora a presión.

PELIGRO	POSIBLE CONSECUENCIA	PREVENCIÓN
<p style="text-align: center;"><b>RIESGO DE EXPLOSIÓN O INCENDIO</b></p> <div style="text-align: center;">     </div>	<p>Pueden ocurrir lesiones graves o fatales ocasionadas por chispas normales en las fuentes de ignición múltiples o en el escape del motor y del quemador.</p> <p>Pueden ocurrir lesiones graves o fatales como consecuencia de un procedimiento inadecuado al reabastecer de combustible.</p> <p>Pueden ocurrir lesiones graves o fatales si no se mantienen correctamente los dispositivos de seguridad del sistema.</p>	<p>Siempre opere la lavadora en una área bien ventilada libre de vapores inflamables, polvo combustible y gases o materiales combustibles.</p> <p>No almacene la lavadora a presión cerca de una llama abierta o equipo como hornos, calefactores, calentadores de agua, etc., que usen una llama piloto o dispositivo de encendido por chispa.</p> <p>¡No use esta lavadora a presión para atomizar material inflamable!</p> <p>No fume mientras llene los tanques de combustible.</p> <p>Nunca llene los tanques de combustible mientras el motor aún esté en marcha o esté caliente. Permita que el motor se enfríe dos minutos antes de volver a cargar combustible.</p> <p>No llene los tanques de combustible en interiores o en una área con poca ventilación.</p> <p>Siempre vierta el combustible lentamente para evitar la posibilidad de un derrame, lo cual podría provocar un incendio.</p> <p><b>Tanque de combustible del quemador:</b> Al llenar el tanque de combustible del quemador, use aceite de combustible diesel o queroseno No.1 ó No.2. No use gasolina.</p> <p>No opere la unidad si se derrama gasolina o combustible de diesel. Con un paño, limpie completamente la lavadora a presión y aléjela del derrame. Evite crear cualquier ignición hasta que el combustible de gasolina o diesel se haya evaporado.</p> <p>Esta lavadora a presión tiene un dispositivo de seguridad que nunca deben ser alterados, modificados, extraídos o desconectados. Si falla el dispositivo, reemplácelo inmediatamente con un repuesto genuino del fabricante.</p>
<p style="text-align: center;"><b>RIESGO DE ASFIXIA</b></p> <div style="text-align: center;">  </div>	<p>Pueden sufrirse lesiones graves o fatales como consecuencia de la inhalación de gases del escape del quemador o vapores peligrosos.</p>	<p>Nunca opere esta lavadora a presión en una área cerrada. Siempre asegúrese de que exista ventilación adecuada (aire externo fresco) para la respiración y la combustión. Esto impedirá la acumulación de gases peligrosos de monóxido de carbono. Tenga cuidado en las áreas de poca ventilación, o áreas con ventiladores de extracción que pueden provocar un intercambio deficiente de aire.</p> <p>Obedezca todas las instrucciones proporcionadas con los materiales que está rociando. Quizá sea necesario usar un respirador cuando se trabaje con ciertos materiales. No use esta lavadora a presión para distribuir detergentes peligrosos.</p>
<p style="text-align: center;"><b>RIESGO DE EXPLOSIÓN</b></p> <div style="text-align: center;">  </div>	<p>Pueden producirse lesiones graves debido al mal funcionamiento de la lavadora a presión o la explosión de accesorios si se usan componentes, aditamentos o accesorios que no correspondan al sistema.</p> <p>Pueden producirse lesiones graves o fatales si se intenta arrancar la lavadora a presión cuando esté congelada la bomba.</p>	<p>Nunca haga ajustes a las presiones configuradas en la fábrica.</p> <p>Nunca exceda la máxima graduación de presión de los accesorios permitida por el fabricante.</p> <p>No permita que alguna de las mangueras haga contacto con el silenciador del motor, el motor de gasolina o el intercambiador de calor para prevenir la posibilidad de explosión. No arrastre las mangueras sobre superficies abrasivas como el cemento.</p> <p>Solo use las partes de reparación para su lavadora a presión recomendadas por el fabricante.</p> <p>En temperaturas de congelación, la unidad siempre deberá permanecer lo suficientemente caliente como para asegurar que no haya formación de hielo en la bomba. No arranque la lavadora a presión si ha sido transportada en un vehículo abierto o de calefacción deficiente, sin primero permitir que la bomba se descongele.</p>


## ADVERTENCIAS DE SEGURIDAD

Lea todas Las advertencias de seguridad antes de usar la lavadora a presión.

PELIGRO	POSIBLE CONSECUENCIA	PREVENCIÓN
<p><b>RIESGO DE INYECCIÓN O LESIÓN POR CORTADURA SEVERA</b></p> 	<p>Pueden sufrirse lesiones graves o fatales como consecuencia de la atomización a alta presión con penetración en la piel.</p>	<p>¡Manténgase completamente alejado de la boquilla y el atomizador! Nunca coloque la mano, los dedos o el cuerpo directamente sobre la boquilla de rocío.</p> <p>Nunca apunte el atomizador alta presión hacia usted mismo o hacia otra persona.</p> <p>Sólo los operadores que estén capacitados deben usar este producto.</p> <p>Siempre mantenga el área de trabajo despejada de personas.</p> <p>NO PERMITA que algún niño opere esta unidad.</p> <p>¡BUSQUE ATENCIÓN MÉDICA DE EMERGENCIA si parece que el rocío ha penetrado la piel! ¡NO LO TRATE COMO UNA SIMPLE CORTADURA!</p> <p>Debe inspeccionar diariamente las mangueras de alta presión y las líneas de combustible para buscar señales de desgaste. Si hay evidencia de falla, reemplace inmediatamente todas las mangueras y líneas de combustible sospechosas para prevenir la posibilidad de lesiones por el rocío a alta presión. Si una manguera o conexión tiene alguna fuga, NO COLOQUE SU MANO DIRECTAMENTE SOBRE LA FUGA.</p> <p>Nunca opere la pistola con el gatillo fijado en la posición abierta. Para prevenir una descarga accidental, la pistola debe tener bien trabado el seguro del gatillo cuando no se encuentre en uso.</p> <p>Antes de retirar la boquilla de rocío o dar servicio a la unidad, apague la unidad y tire del gatillo de la pistola para liberar la presión. (Aun cuando apague la unidad, todavía quedará agua a alta presión en la bomba, la manguera y la pistola hasta que la libere jalando el gatillo de la pistola.)</p>
<p><b>RIESGO DE QUEMADURAS</b></p> 	<p>Pueden producirse lesiones graves si se toca el motor de gasolina, el silenciador o el intercambiador de calor. Estas áreas pueden permanecer calientes por algún tiempo después de que se ha apagado la lavadora a presión.</p>	<p>Nunca permita que ninguna parte de su cuerpo haga contacto con el motor de gasolina, el silenciador o el intercambiador de calor.</p> <p>Nunca calga la maquina sin guardia hasta esta completamente enfriado como se descrito en los procedimientos de "apagado" in página 20 de esta manual.</p>
<p><b>RIESGO POR PARTES EN MOVIMIENTO</b></p> 	<p>El operador puede sufrir de lesiones graves si hace contacto con las partes en movimiento de la lavadora a presión.</p>	<p>Nunca efectúe ajustes a la unidad mientras esté conectada a la fuente de alimentación.</p> <p>No opere la unidad sin que todas las cubiertas protectoras se encuentren en su lugar.</p> <p>Observe las instrucciones de mantenimiento especificadas en este manual.</p>

## ADVERTENCIAS DE SEGURIDAD

Lea todas Las advertencias de seguridad antes de usar la lavadora a presión.

PELIGRO	POSIBLE CONSECUENCIA	PREVENCIÓN
<p><b>RIESGO DE LESIONES</b></p> 	<p>Pueden ocurrir lesiones graves o fatales si los detergentes entran en contacto con la piel.</p> <p>Pueden ocurrir lesiones graves provocadas por partículas sueltas proyectadas a gran velocidad a través la pistola atomizadora.</p> <p>Pueden ocurrir lesiones si el operador pierde el equilibrio causado por el impulso del agua que está atravesando la boquilla de rocío.</p> <p>Pueden ocurrir lesiones provocadas por la lavadora a presión.</p>	<p>¡BUSQUE ATENCIÓN MÉDICA DE EMERGENCIA si está usando agentes de limpieza y siente que el rocío ha penetrado la piel! ¡NO LO TRATE COMO UNA SIMPLE CORTADURA! Lea la hoja de datos de seguridad del material (MSDS) proporcionada con su detergente para estar preparado y poder informar a su médico exactamente qué tipo de detergentes estaba usando.</p> <p>Nunca use solventes o detergentes altamente corrosivos o limpiadores de tipo ácido con esta lavadora a presión.</p> <p>Se aconseja usar equipo protector como trajes de goma, guantes y respiradores, especialmente cuando se usen detergentes limpiadores.</p> <p>¡Mantenga todos los detergentes fuera del alcance de los niños!</p> <p>SIEMPRE use gafas protectoras cuando opere la unidad para proteger sus ojos contra residuos y detergentes lanzados al aire.</p> <p>NO DIRIJA el atomizador hacia materiales frágiles tales como vidrio, ya que podría ocasionar su ruptura.</p> <p>Si la lavadora a presión está equipada con una característica de Inicio/parada automática, la unidad se apagará hasta que se accione la pistola. Para prevenir la descarga accidental de alta presión, no deje la unidad sin supervisión mientras esté en esta modalidad.</p> <p>Manténgase alerta — vigile lo que esté haciendo. No opere la unidad cuando esté fatigado o bajo la influencia de alcohol o drogas.</p> <p>NUNCA apriete el gatillo a menos de que esté firmemente parado.</p> <p>NO se estire demasiado ni se pare sobre un soporte inestable.</p> <p>Las superficies mojadas pueden estar resbaladizas, use equipo protector y mantenga un punto de apoyo y buen equilibrio en todo momento.</p> <p>NUNCA accione la pistola mientras se encuentre en una escalera o sobre un techo.</p> <p>SIEMPRE sostenga firmemente el conjunto de pistola/varilla cuando arranque y opere la unidad. No hacerlo podría provocar que la varilla se caiga y se azote peligrosamente.</p> <p>Sepa como detener la lavadora a presión y aliviar las presiones rápidamente. Familiarícese por completo con estos controles.</p> <p>NO permita que la unidad presurizada permanezca sola. Apague la lavadora de presión y libere la presión antes de irse.</p> <p>NO OPERE la unidad si detecta fugas de combustible, aceite o agua de la máquina. NO reanude la operación hasta que la unidad haya sido inspeccionada y reparada por un técnico capacitado para el servicio.</p> <p>Coloque la unidad sobre una superficie limpia, seca y plana para darle servicio. Antes de dar mantenimiento a la unidad, apáguela, alivie la presión de agua apretando el gatillo de la pistola, y permita que la unidad se enfríe. Realice el mantenimiento en un área limpia, seca y plana. Donde sea necesario, bloquee las ruedas para prevenir el movimiento de la unidad.</p> <p>No mueva la unidad tirando de la manguera.</p>

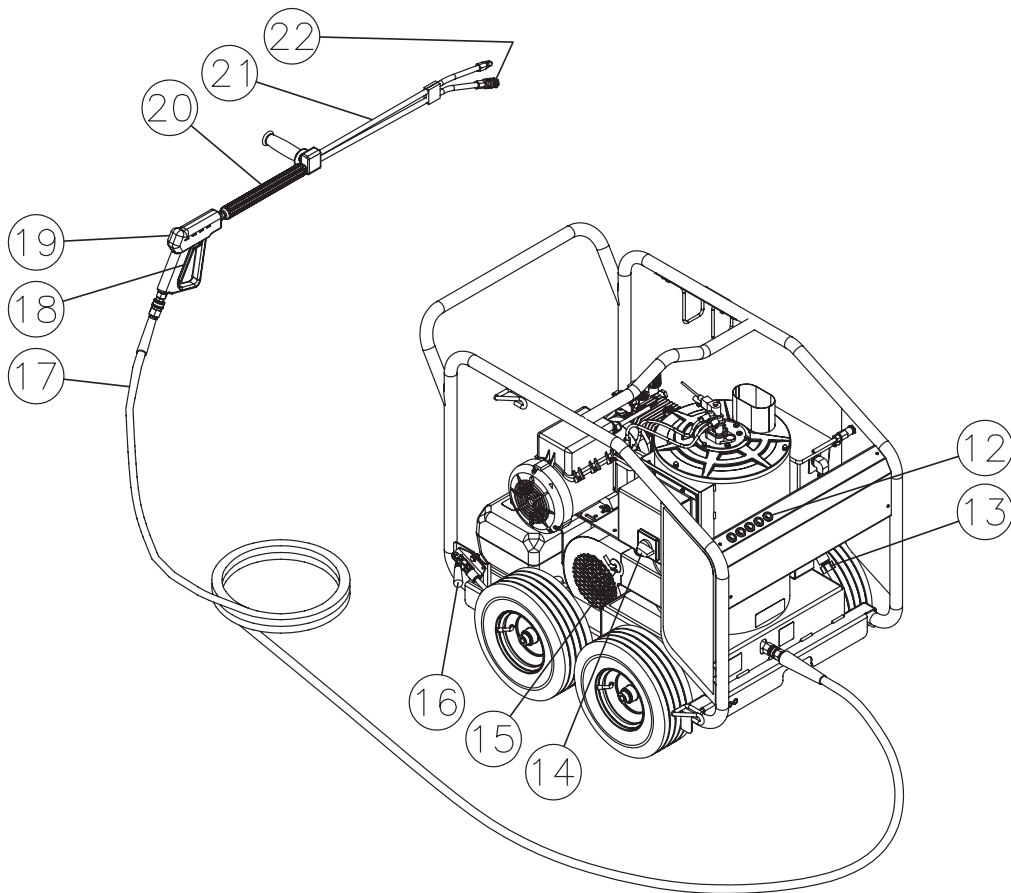
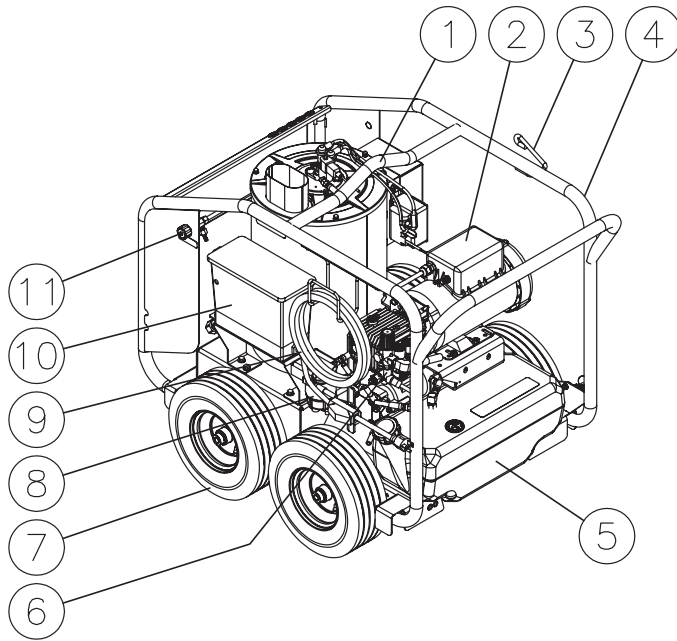


**¡CONSERVE ESTAS INSTRUCCIONES!**





# CARACTERÍSTICAS DE HSE PEQUEÑAS UTILIZANDO EL TANQUE DE FLOTADOR

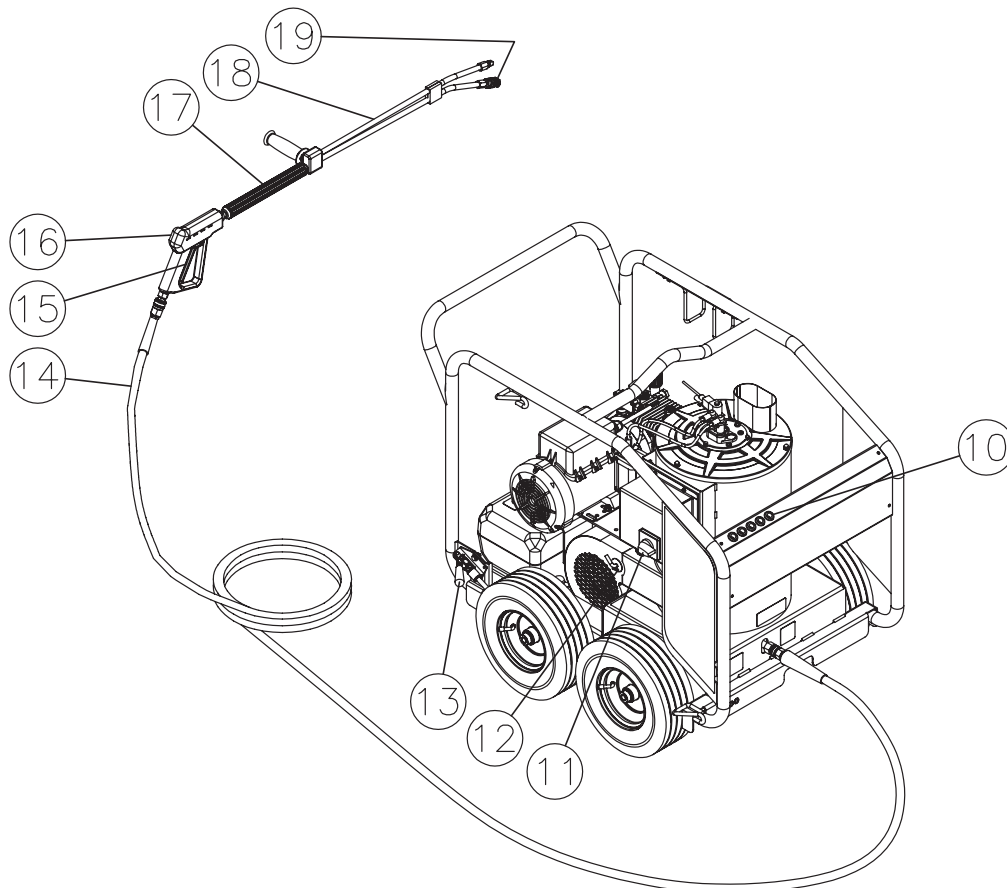
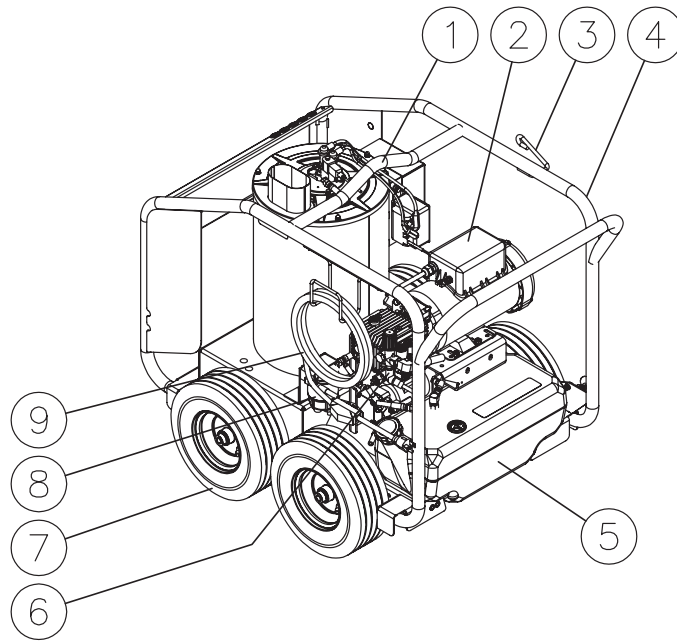


HSE SMALL FEATURES \_WITH FLOAT TANK 022713

## CARACTERÍSTICAS

1. Centro gancho de elevación equilibrado
2. Motor de bomba (TECF)
3. Titular de lanza
4. Rollo resguardo
5. Deposito del combustible quemada
6. Bomba del presion alta con descargada
7. Ruedas
8. Separador de agua y combustible
9. Cordón electrico de 35' (con gfci)
10. Deposito de agua flotante
11. Valvula detergente regulando
12. Soporte para boquilla
13. Entrada de agua
14. Interruptor (on/off/quemador)
15. Quemador aire el reglamento
16. Freno
17. Presion alto manguera
18. Gatillo cerraduro de seguridad
19. Conjunto del la pistola
20. Lanza aislante
21. Lanza de dual presión reguable
22. Boquillas

# CARACTERÍSTICAS DE HSE PEQUEÑO QUE UTILIZAN ALIMENTACIÓN DIRECTA

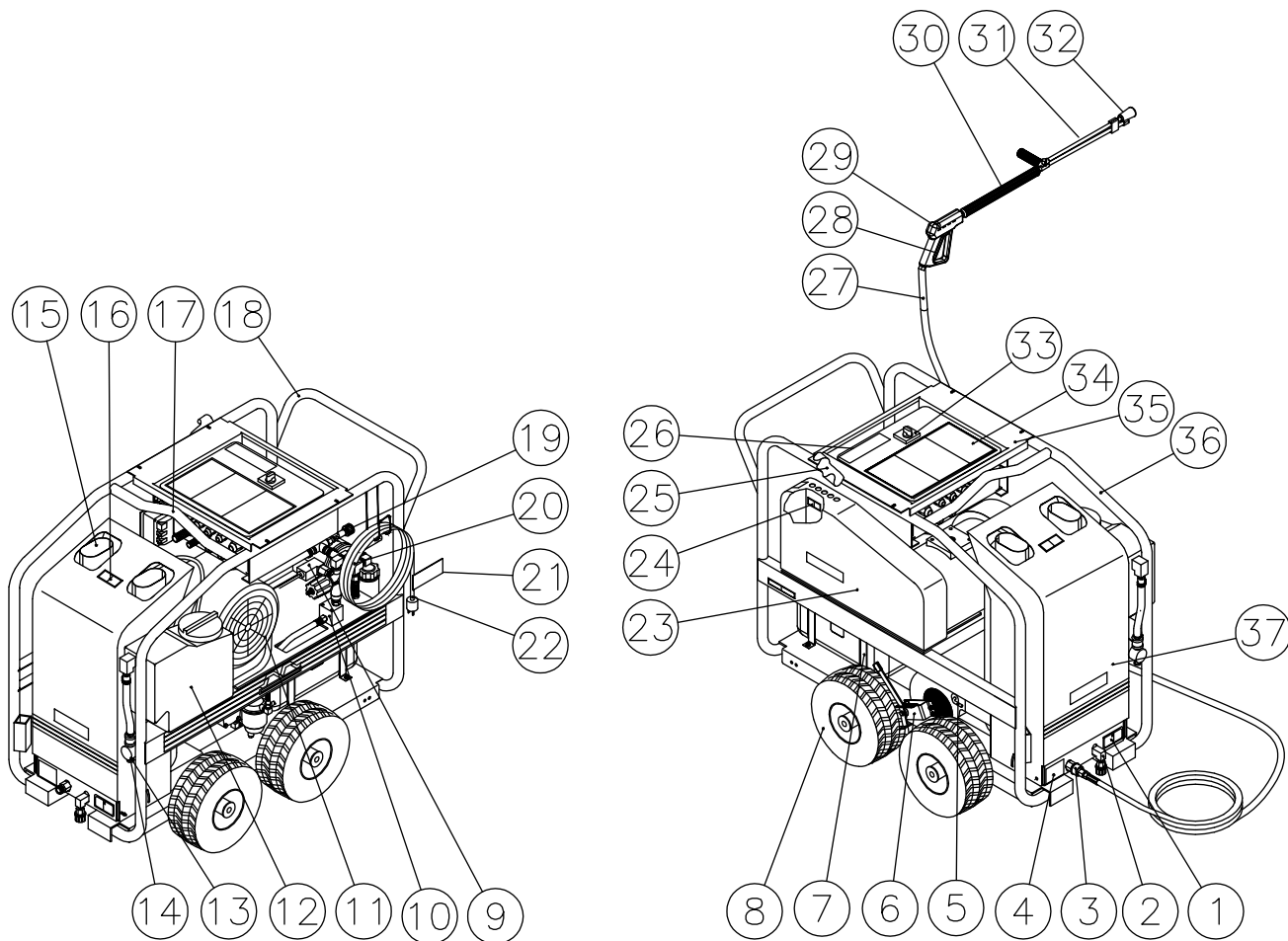


HSE SMALL FEATURES \_WITH DIRECT FEED 022713

## CARACTERÍSTICAS

1. Centro gancho de elevación equilibrado
2. Motor de bomba (TECF)
3. Titular de lanza
4. Rollo resguardo
5. Deposito del combustible quemada
6. Bomba del presion alta con descargada
7. Ruedas
8. Separador de agua y combustible
9. Cordón electrico de 35' (con gfci)
10. Soporte para boquilla
11. Interruptor (on/off/quemador)
12. Quemador aire el reglamento
13. Freno
14. Presion alto manguera
15. Gatillo cerraduro de seguridad
16. Conjunto del la pistola
17. Lanza aislante
18. Lanza de dual presión reguable
19. Boquillas

# CARACTERÍSTICAS HSE-BASE GRANDE



## CARACTERÍSTICAS

1. Advertencia Etiqueta: Riesgo de Explosión
2. Tapon de Rollo Desaquadero
3. Salida de Agua
4. Etiqueta: Plato de Datos
5. Quemador Aire el Reglamento
6. Freno
7. Deposito del Combustible Quemada
8. Ruedas
9. Varilla de Presion
10. Bomba del Presion Alta Con Descargada
11. Motor de Bomba (TEFC)
12. Tamiz de Agua
13. Deposito de Agua Flotante (Modelos Del Depositos Flotantes)
14. Entrada de Agua
15. Quemadura Exhosto
16. Advertencia Etiqueta: Caliente
17. Gancho Levantar
18. Mango Convenient de Empujon / Tirón
19. Valvula Detergente Regulando
20. Precaucion Etiqueta: Riesgo del Fuego
21. Advertencia Etiqueta: Riesgo de Electrocuicion
22. Cordón Electrico
23. Guarda Correa
24. Calcomanía-Advertencia: Guarda Correa en Lugar
25. Titular Lanza
26. Advertencia Etiqueta: Riesgo de Electrocuicion
27. Presion Alto Manguera
28. Gatillo Cerraduro de Seguridad
29. Conjunto del la Pistola
30. Lanza Aislante
31. Lanza de Dual Presión Reguable
32. Boquillas
33. Varillas (Apartado, Bomba, Quemadura)
34. Calcomania-Declaraciones de Advertencia/Precaucion/Operacion
35. Panel del Control
36. Rollo Resguardo
37. Cubierta Resguardo



## INSTALACION Y PREPARACION

### VESTIMENTA:

1. Una vestimenta apropiada es esencial para su seguridad. Se recomienda que utilice cualquier medio necesario para proteger los ojos, los oídos y la piel. Al usar agentes limpiadores detergentes con esta lavadora, puede requerirse una vestimenta adicional de seguridad (tal como una máscara respiratoria).



### PELIGRO

**¡RIESGO DE EXPLOSION O INCENDIO!**  
NO COLOQUE LA UNIDAD EN UN AREA DONDE PUEDAN ESTAR PRESENTES VAPORES INFLAMMABLES. UNA CHISPA PODRIA CAUSAR UNA EXPLOSION O UN INCENDIO!

**RIESGO QUE LA UNIDAD REVIENTE!**  
NO ALMACENE NI OPERE LA UNIDAD EN UN AMBIENTE HELADO.

### PREPARACION:

1. Al operar esta unidad, debería colocarse solamente sobre una superficie nivelada para asegurar una lubricación apropiada del motor y de la bomba de agua. Nunca rocíe el agua directamente dentro la unidad.
2. NO coloque la unidad en un área:
  - a. con ventilación insuficiente.
  - b. donde haya evidencia de pérdidas de aceite o combustible.
  - c. donde puedan estar presentes vapores de gas inflamable.
3. Asegúrese de inmovilizar las ruedas para evitar que la unidad se mueve durante el funcionamiento.
4. Nunca rocíe el agua directamente dentro la unidad. Si cualquier parte de la unidad se congela, esto puede causar una acumulación excesiva de presión en la misma lo que podría causar que reviente, resultando en posibles lesiones al operador o a los observadores.
5. Revise el indicador del nivel de aceite en el cárter de la bomba. Asegúrese que el aceite esté al nivel correcto indicado por el punto en el vidrio de nivel. Use aceite para bombas de Mi-T-M (No. AW-4085-0016) si parece que el nivel está bajo.



### ADVERTENCIA

**¡RIESGO DE ASFIXIA!**  
NO OPERE EN UN AREA CERRADA. USE ESTE PRODUCTO EN AREAS BIEN VENTILADAS SOLAMENTE!  
EL ESCAPE DEL MOTOR CONTIENE MONOXIDO DE CARBONO, UN GAS VENENOSO, INODORO E INVISIBLE. EL RESPIRAR ÉSTE GAS PUEDE CAUSAR LESIONES GRAVES, ENFERMEDAD Y POSIBLEMENTE LA MUERTE.

### CONEXION DEL CORDON ELECTRICO:

1. Sea seguro que la varilla esta en la posicion cerrado.
2. Sea seguro que los suministros electricos son lo mismo que tiene el plato dato de la lavadora a presion.
3. **INSTRUCCIONES FUNDAMENTOS:** Este equipo debe conectarse a tierra. La conexión a tierra provee un camino de resistencia reducida a la corriente eléctrica para reducir el riesgo de coque eléctrico, en caso de malfuncionamiento o falla. Este productor está equipado con un cordón que tiene un conductor de conexión a tierra del equipo y un enchufe de conexión a tierra. El enchufe debe enchufarse a un tomacorriente apropiado que esté correctamente instalado y conectado a tierra de acuerdo con todos los códigos y ordenanzas locales.
4. **PELIGRO:** Conexiones malos del conductor fundado puede dar un riesgo de electrocución. Pregunte usted con una persona del servicios electricos si no cree que la toma de corriente, esta bien fundado. No cambie el tapón que recibió con este producto. Si no puede ponerlo en la toma de corriente. Necesita una otra toma de corriente con la forma corrector. No use nunca un adaptor con este producto.
5. **PROTECCION DEL INTERRUPTER FUNDADO CIRCUITO:**
  - a. **UNA FASE:** Si esta lavadora a presión cuenta con un Interruptor de circuito de falla a tierra (Ground Fault Circuit Interrupter, GFCI) incorporado en el enchufe o en el cordón de alimentación, pruebe el GFCI siempre que se enchufe en un tomacorriente según las instrucciones del GFCI. NO use la lavadora a presión si falla la prueba. El GFCI brinda protección adicional contra el riesgo de choque eléctrico. En caso de que se haga necesario cambiar el enchufe o cordón, utilice sólo repuestos idénticos que incluyan la protección de GFCI.
  - b. **UNA FASE:** Si esta lavadora a presión no cuenta con un GFCI, debe conectarse la unidad únicamente en un receptáculo que esté protegido por un Interruptor de circuito de fall a tierra (Ground Fault Circuit Interrupter GFCI) para cumplir con el Código Eléctrico Nacional (NFPA 70) y brindar protección adicional contra el riesgo de choque eléctrico.
  - c. **TRES FASE:** Estas lavadoras a presión no cuentan con protección de GFCI.



### PELIGRO

**RIESGO DE ELECTROCUCION!**  
ESTA MAQUINA TIENE QUE CONECTAR A UNA TOMA DE CORRIENTE QUE ESTA BIEN VERSADO DE LA TIERRA.

**CONTINÚA**



## INSTALACION Y PREPARACION

6. **CORDONES DE EXTENSION:** Mi-T-M no. se recomienda el use de los cordones extensions. Si tiene que usar uno, tiene que poner dentro un GFCI en las cajas circuitas o receptaculos con protección. Cuando está usando el cordón electrico pregunte una persona electrico a ser seguro que el cable medida que tiene es corrector para la longitud del cordón electrico.

Para las unidades singulares fases, use dolemente 3-cable cordones electricos que tiene 3-tipo tapones fundados y 3-pole conectadores que va a aceptar el tapón del producto.

Para las unidades fases terceros, use solamente 4-cable cordones electricos que tiene 4-punta conectadores que va a aceptar el tapon de este producto.

Use solamente cordones para fuera del al case. Estos cordones tiene un sello como "Para usar con los aparatos electricos fuera de case. Cuando no esta usandoquede en la dentro." Use solemnete cordones que tieninun modo no memos del modo de esta unidad. No use cordones con drementas. Examine los cordones antes de usar y reponga si esta detrimentos. No abuse los cordones electricos y no dé un tiron a desconectar. Queda el cordón lejos de calor y puntas afiladas. Siempre conecta y desconecta el cordón del receptáculo antes de conectar o desconectar el producto del cordón.

7. Sea seguro que la area entre la varilla de la lavadora a presion y la toma de corriente estar secados.
8. Ponga la varilla masculina dentro la toma de corriente de la tierra (AC). **Nunca use un adaptor o quite la varilla de la tierra.**

### DEPOSITO DEL COMBUSTIBLE QUEMADOR:

1. Antes de aprovisionsar combustible, lea pagina 69 de las precauciones del Riesgo de explosión o fuego.
2. Encuentre las etiquetas de seguridad en su unidad y crea las advertencias.
3. llene el deposito de combustible quemada con combustible bueno y limpio, diesel, o keroseno. Nunca use gasolina.



**PELIGRO**  
**RIESGO DE ELECTROCUCION!**  
PARA REDUCIR EL RIESGO DE ELECTROCUCION, QUEDE TODAS LOS CONEXIONES SECADRES Y ARRISA DE LA TIERRA. NO TOQUE EL TAPON CON MANOS MOJADAS.



**PELIGRO**  
**¡RIESGO DE INCENDIO!**  
**¡NO FUMEAL CARGAR COMBUSTIBLE!**  
MIENTRAS LA UNIDAD ESTA FUNCIONANDO O ESTA CALIENTE NO LLENE EL TANQUE DE COMBUSTIBLE. PERMITA QUE LA UNIDAD Y EL MOTOR SE ENFRIEN DURANTE DOS MINUTOS ANTES DE CARGAR COMBUSTIBLE. NO LLENE EL TANQUE DE COMBUSTIBLE HASTA QUE SE DERRAME. PERMITA 1/4" DE ESPACIO DETANQUE APROXIMADAMENTE PARA LA EXPANSION DEL COMBUSTIBLE.



**ADVERTENCIA**  
**RIESGO DE EXPLOSION O INCENDIO!**  
MIENTRAS LA UNIDAD ESTA FUNCIONANDO O ESTA CALIENTE, ALMACENE SIEMPRE EL COMBUSTIBLE ALEJADO DE LA LAVADORA.

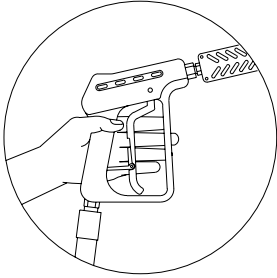
## INSTALACION Y PREPARACION



### ADVERTENCIA

**¡RIESGO DE LESIONES GRAVES!**

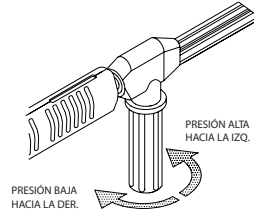
**¡CUANDO NO SE USA, LA PISTOLA A GATILLO DEBERIA ESTAR SIEMPRE ASEGURADO EN LA POSICION DESCONECTADO!**



### LANZA DUAL DEL PRESION REGULABLE:

Esta unidad tiene una lanza dual del presion reguable que permite la persona usando a ruguable que permite la persona usando a excojer agua pulverizada del presion alto o bajo. Simplemente gire el asimiento regulable en la lanza dual a obtener la presion que quisiera.

1. Puede escojer presion alto por girando el asimiento regulable en la lanza dual asemblea ensentido contraria a los agujas del reloj como esta en el dibuj debajo.
2. Puede escojer presion bajo por girando el asimiento regulable en la lanza dual de las agujas del reloj como esta en el dibujo debajo.



### CONEXION DE LA LANZA DUAL:

1. Sea seguro que le varilla esta en la posicion cerrado.
2. Conecte la asemblea de lanza dual a la asemblea de la varilla ahora si puede. Sea sguro que tiene un conexin asegurado y apretado.

### SUMINISTRO DE AGUA:

#### INSPECCIONE EL TAMIZ DE ENTRADA DE AGUA



1. Seleccione una manguera de suministro de agua que sea de calidad de manguera de jardín que mida 3/4" de DI por lo menos y que no sea más larga que 50 pies.
2. **If your unit is equipped with a water strainer**, inspeccione el tamiz de entrada de agua para asegurar que esté limpio y libre de obstrucciones. La limpieza periódica del tamiz de agua ayudará a prevenir problemas con la bomba. El tamiz restringe el flujo apropiado de agua a la bomba, a medida que se obstruye. Esto puede resultar en cavitaciones que causarán la falla prematura de los empaques de las bombas.
  - a. Destornille la excudilla colador de la unidad.
  - b. Quite el colador y limpie o reponga una nueva.
3. Conecte un extremo de la manguera de suministro de agua a la entrada de agua de la unidad. Conecte el otro extremo de la manguera a su suministro presurizado de agua.

**NOTA:** *Si tiene muchos minerales en su agua se recomienda que use un ablanda del agua para proteger de la posibilidad de mucho acumulado dentro el rollo de intercambio calefaccion.*

4. Siga los requerimientos de agua entrante listados abajo:
  - a. La presión de agua debe estar a un mínimo de 40 libras por pulgada cuadrada (PSI) y un máximo de 125 PSI. (Un grifo típico al aire libre suministrará generalmente estas PSI si está completamente ABIERTO).
  - b. Los GPM (galones por minuto) entrantes deben ser ser 1 galón más aproximadamente que los GPM salientes deben indicados en la placa de nombre de la lavadora a presión. (Usted puede inspeccionar los GPM observando el tiempo requerido para llenar un recipiente de 5 galones.)
  - c. La temperatura del agua de entrada no debe exceder 125°F. Puede resultar un daño excesivo a la bomba si la temperatura del agua excede este nivel aceptable.
5. Nunca permita que la unidad opere sin que esté conectada la tubería de agua de entrada y el suministro de agua completamente abierto.

## INSTALACION Y PREPARACION

### DESCARGADOR:

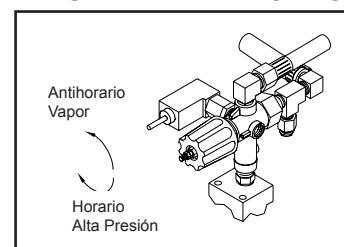
#### Modelo Estándar:

La descargador fue preprogramar a lá fabrica.

#### Modelo Opcion Vapor:

El descargador tiene una perilla reguladora que tiene un ajuste minimo/máximo. Mueva el descargador en sentido horario hacia el ajuste máximo para la operación con agua fría/caliente. Muévelo en sentido antihorario hacia el ajuste minimo para la operación con vapor.

### VALVULA DE DESCARGADOR



### VALVULA DE DESCARGA TERMICA:

Nunca permita que la lavadora a presión opere en el modo de derivación durante más de tres minutos (con la unidad funcionando y la pistola a gatillo cerrado), para asegurar que la temperatura del agua no exceda niveles aceptables. Se ha agregado una "válvula de descarga térmica" a esta unidad para proteger la bomba. Puede comenzar a abrirse y permitir la salida de agua si la temperatura del agua en la bomba ha excedido los 140°F.

La válvula de descarga térmica aliviará esta condición permitiendo la salida del exceso de agua caliente del sistema. Esto permitirá que agua fresca y fría entre al sistema, evitando por consiguiente la falla prematura del sello del empaque de la bomba.

### PROCEDIMIENTOS DE INSPECCION ANTES DEL ARRANQUE:

Efectúe los procedimientos siguientes antes de arrancar la unidad:

1. Inspeccione los cordones electricos para cortes. Si encuentre unos cortes, **NO TOQUÉ NI USE CORDÓN!** Antes de arrancar reponza el cordon.
2. Inspeccione el nivel de aceite en la bomba.
3. Inspeccione el tamiz de entrada de agua. Limpie o reemplace si fuera necesario. Vea "Suministro de agua", #2, pág. 78.
4. Inspeccione todas las conexiones de las mangueras para asegurar que estén bien ajustadas.
5. Inspeccione por pérdidas de agua, lubricar y combustible del sistema. **¡NO ARRANQUE LA UNIDAD,** si encuentra una pérdida de combustible! Vea las "Riesgo de Explosión", pág. 69. Asegúrese que se reemplacen todas las piezas dañadas y que se corrijan todos los problemas mecánicos antes de operar la unidad. Consulte con el Servicio al Cliente, si usted requiere servicio.
6. Inspeccione las mangueras de alta presión por dobleces, cortes y pérdidas. **¡NO USE LA MANGUERA,** si halla un corte o una pérdida! Antes de arrancar la unidad reemplace la manguera. Vea las "Riesgo Inyección" pág. 70. Asegúrese que se reemplacen todas las piezas dañadas y que se corrijan los problemas mecánicos antes de operar la unidad. Consulte con el Servicio al Cliente, si usted requiere servicio.



**FINAL DE LAS INSTRUCCIONES DE PREPARACION**



---

**NOTA**



# **ADVERTENCIA**



**LAS PAGINAS SIGUIENTES CONTIENEN INSTRUCCIONES DE OPERACION Y MANTENIMIENTO**

**NO TRATE DE OPERAR ESTA LAVADORA A PRESION HASTA QUE HAYA LEIDO Y ENTENDIDO TODAS LAS PRECAUCIONES Y INSTRUCCIONES DE SEGURIDAD LISTADAS EN ESTE MANUAL.**

**¡¡LA OPERACION INCORRECTA DE ESTA UNIDAD PUEDE CAUSAR LESIONES GRAVES!!**

**¡¡DE NINGUNA MANERA ALTERE O MODIFIQUE ESTE EQUIPO!!**

## INSTRUCCIONES DE OPERACION



### PELIGRO

#### **¡RIESGO DEL PELIGRO A LA UNIDAD!**

¡SEA SEGURO QUE LA MANQUERA, PISTOLA Y ASEMBLEA DE LANZA DUAL NO ESTAN CONECTADO A LA UNIDAD CUANDO DESALOJANDO LA SISTMA. DESALOJANDO PERMITE DEPOSITOS MINERALES A SALIR LA SISTEMA QUE PUEDE CAUSAR PELIGRO A LA ASEMBLIA PISTOLA Y TOBERA QUE PUEDE CAUSAR MUCHOS REPAROS CAROS.

### DESALOJANDO LA SISTEMA:

Esta unidad tiene un rollo de acero que puede causar el agua quedando en el rollo del usado pusado a cambiar pardo o negro en color. Este agua tiene que desalojar de la sistema antes de arrancar. Este procedimiento debe hacer sin la manguera de presion alta debe hacer sin la manguera de presion alta, la pistola y la asemblea lanza dual instalada.

### MODELOS DEL ALIMENTACION DIRECTO:

1. Arranque la cantidad del agua.
2. Agua de presion bajo en a desalojar de la salida agua. Permite la unidad a desalojar algunas particulas de la sistmea. Cuando el agua es claro. La unidad esta desalojado.
3. Cuando la unidad esta desalojado cierre la cantidad del agua y conecte la manguera del presion alto a la salida agua de la unidad.
4. Conecte el gatillo y la asemblea a la manguera del presion alto.
5. Arranque la cantidad del agua.

### MODELOS DEL DEPOSITOAS FLOTADAS:

1. Arranque la cantidad del agua.
2. Ponga la varilla a la posicion para bombear. Agua de presion bajo en a desalojar de la salida agua. Permite la unidad a desalojar algunas particulas de la sistmea. Cuando el agua es claro. La unidad esta desalojado.
3. Cuando la sistmea esta desalojando, ponga la varilla a la posicion abierta y conecte la manguera del presion alto a la salida agua de la unidad.
4. Conecte el gatillo y la asemblea de lanza dual a la manguera de presion alto.

### OPERACIÓN DE ARRANCAR / AQUA FRIO:

1. Refiérase a las "Advertencias de seguridad", págs. 68-71 antes de arrancar la unidad.
2. Ubique las calcomanías de seguridad en su unidad y obedezca sus advertencias.
3. Sea seguro que la varilla esta en la posicion cerrada.
4. Apuntado el gatillo en un direccion seguro abre el gatillo y aprete. Sostenga firmamente para evitar gorpes de retroceso peligrosos cuando la bomba empieza.
5. Ponga la varilla de la bomba a la posicion abierta.
6. Efectúe los procedimientos siguientes una vez que haya arrancado el unidad con la pistola en la posición abierta:
  - a. Inspeccione por pérdidas de aceite y combustible del sistema. ¡APAGUE INMEDIATAMENTE LA UNIDAD, si encuentra una pérdida! Vea las "Riesgo de explosión o fuego", pág. 69. Antes de operar la unidad, asegúrese que se hayan reemplazado todas las piezas dañadas y que se hayan corregido todos los problemas mecánicos. Consulte con el Servicio al Cliente, si usted requiere servicio.
  - b. Inspeccione las mangueras de alta presión por dobleces, cortes y pérdidas. ¡¡¡NO TOQUE LA MANGUERA EN LA PERDIDA, si encuentra un corte o una pérdida!!! ¡APAGUE INMEDIATAMENTE LA UNIDAD! Antes de arrancar nuevamente la unidad, reemplace la manguera. Vea las "Riesgo de inyección o lesión severa por cortadura" pág. 70. Antes de operar la unidad, asegúrese que se hayan reemplazado todas las piezas dañadas y que se hayan corregido todos los problemas mecánicos. Consulte con el Servicio al Cliente, si usted requiere servicio.
7. Ahora la unidad esta funcionando como una lavadora del aqua frio. Apreté el gatillo de la pistola muchas veces y probe a regular la presion del aqua por gire el asimiento en la lanza dual. NUNCA coloque las manos o los dedos delante de la boquilla ni mire directamente hacia la boquilla. El agua a alta presión puede provocar lesiones graves!
8. No permita que la unidad funcione en un modo de derivación (con el gatillo cerrado) por más de tres minutos sin accionar el gatillo de la pistola. El no seguir esta simple regla puede causar la falla prematura de los sellos del empaque de la bomba, resultando en una reparación costosa a la misma.



### PELIGRO

#### **¡RIESGO DE INYECCION CAUSANTE DE LESIONES GRAVES!**

¡MANTENGASE ALEJADO DE LA BOQUILLA!  
¡NUNCA COLOQUE LA MANO NI LOS DEDOS DELANTE DE LA BOQUILLA!

¡NO DIRIJA LA CORRIENTE DE DESCARGA HACIA LAS PERSONAS O LOS ANIMALES!



### PRECAUCION


#### **RIESGO DE DAÑO**

NO PERMITA QUE EL PATRON DE ROCIADO PERMANEZCA EN UNA AREA FIJA DURANTE UN PERIODO PROLONGADO DE TIEMPO. PUEDE OCURRIR UN DAÑO POSIBLE AL AREA.

## INSTRUCCIONES DE OPERACION

**NOTA:** Si esta unidad está equipada con una característica de Inicio/parada automática, la lavadora a presión se apagará si la pistola no se acciona después de un tiempo designado. La lavadora a presión se pondrá nuevamente en marcha una vez que se accione la pistola. La característica de Inicio/parada automática está previamente establecida en la fábrica para apagarse en 90 segundos. Puede regular la un técnico de servicio autorizado para apagarse por inactividad después de un mínimo de 3 segundos hasta un máximo de 5 minutos.

9. Su lavadora a presión puede entregar de rocia presión alto y una variedad de rocios usando agua frío. Si quisiera usar la aplicación agua caliente o limpiando con detergentes. Mire página 81 para los procedimientos correctos.

 **PELIGRO**

**¡RIESGO DE INYECCION CAUSANTE DE LESIONES GRAVES!**


¡ LA CARACTERÍSTICA DE INICIO/ PARADA AUTOMÁTICA APAGARÁ LA LAVADORA A PRESIÓN HASTA QUE SE ACCIONE LA PISTOLA. PARA PREVENIR LA DESCARGA ACCIDENTAL DE ALTA PRESIÓN, NO DEJE LA UNIDAD SIN SUPERVISIÓN EN ESTA MODALIDAD !

### OPERACIÓN DEL AGUA CALIENTE:

1. Siga los procedimientos 1-8 para "OPERACIÓN DE ARRANCAR / AGUA FRIO".
2. Mueva el interruptor del quemador a la posición de ENCENDIDO. Durante el arranque inicial, el agua comenzará a calentarse en aproximadamente 20 segundos y alcanzará su temperatura máxima en aproximadamente 2-1/2 minutos, siempre y cuando se mantenga oprimido el gatillo. El quemador se apagará cuando se suelte el gatillo.

**NOTA:** Mientras esté rociando, es normal que el quemador se encienda intermitentemente. El interruptor de límite alto causará que la combustión se suspenda cuando la temperatura del agua descargada exceda el límite ajustado en el interruptor. La combustión se reiniciará cuando la temperatura del agua descienda por debajo del ajuste mínimo.

**En esta etapa, la unidad está operando como lavadora de presión con agua caliente. Asegúrese de ser extremadamente precavido cuando ajuste la presión o controle el conjunto de pistola/gatillo/varilla para evitar la posibilidad de sufrir quemaduras.**

 **ADVERTENCIA**

**RIESGO DE QUEMADURA**

LA TEMPERATURA DEL AGUA PUEDE SER MUY CALIENTE DURANTE LA OPERACIÓN DEL AGUA CALIENTE. TEN CUIDADO CUANDO ESTA REGULANDO LA PRESION O ESTA CONTROLANDO LA ASEMBLIA DEL GATILLO O LANZA DUAL.

### OPERACIÓN DEL VAPOR:

1. Siga los procedimientos 1-8 para "OPERACIÓN DE ARRANCAR / AGUA FRIO".
2. Asegure que el conector rápido en el extremo de la lanza doble esté debidamente fría al tacto, luego retire la boquilla de alta presión y cámbiela por la boquilla de vapor. Retire la manguera de alta presión y cámbiela por la manguera de vapor.
3. Gire la perilla del descargador totalmente hacia la izquierda al ajuste mínimo.
4. Mueva el interruptor del quemador a la posición de VAPOR.

**NOTA:** El quemador se apagará si se mueve el interruptor a "Steam" (Vapor) sin fijar primero el descargador en el mínimo o en el funcionamiento del modo de alta presión.

**En esta etapa, la unidad está operando como lavadora de presión con agua caliente. Asegúrese de ser extremadamente precavido cuando ajuste la presión o controle el conjunto de pistola/gatillo/varilla para evitar la posibilidad de sufrir quemaduras.**

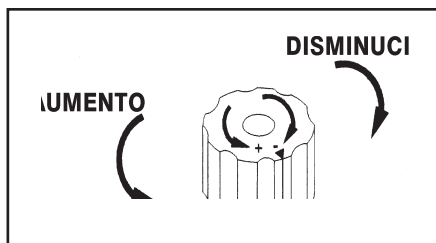


## INSTRUCCIONES DE OPERACION

### LIMPIEZA CON DETERGENTES:

**NOTA:** Esta atroccion tiene intencion de usar con detergentes suaves solementes Desde que el solucion de limpiar vaja por el rollo caliente intercambio, no use corrosivos porque causan mucho daño y tambien causan peligros de seguridad.

#### VALVULA REGULANDO



1. Refiérase a las "Riesgo de Lesión", pág. 71. Asegúrese de usar vestimenta protectora de seguridad según lo mencionado.
2. Prepare la solución de detergente de acuerdo con las instrucciones del rótulo. Nunca bombee ácidos, alcalinos, fluidos abrasivos o solventes a través de la unidad.
3. Ponga completamente el cabo del colador de la manga detergente claro del vinilo en la solución detergente.
4. ALIMENTO DIRECTO: Sea seguro que el asimiento regulable en la lanza dual esta dando vuelta complelante de las agujas del reloj para operacion del detergente presion bajo.

**NOTA:** Este sistema de inyección está diseñado para aplicar detergentes a baja presión solamente. No permitirá que se introduzcan soluciones de detergente en el sistema a menos que la boquilla del detergente esté instalada en la vara.

**DEPOSITE FLOTADOR:** Puede graduar la contidad que quisiera si usted de la melta la valvula regulando completamente ensentido contraria a los agujas del reloj para establecer la velocidad maxima de sifón.

5. Desenganche la pistola a gatillo y accione el gatillo, para aplicar la solución. Una mezcla de detergente/agua saldrá de la boquilla de baja presión en unos pocos momentos. Comience rociando la porción inferior de la superficie que está siendo limpiada y muévase hacia arriba usando pasadas largas superpuestas. El aplicar desde abajo hacia arriba ayuda a evitar el estriado. Permita que se empape brevemente. (Para minimizar la posibilidad de que se seque el detergente, lo que puede resultar en daños a las superficies pintadas, evite trabajar sobre superficies calientes o bajo la luz directa del sol.) Asegúrese de enjuagar una sección pequeña por vez.
6. Para enjuagar: asegure la pistola a gatillo en la posición "OFF":  
ALIMENTO DIRECTO: Gire el asimiento regulable en la lanza dual ensentido contraria a los agujas del reloj para presion alto.  
DEPOSITE FLOTADOR: Gire la valvula regulando a la posicion cerrado. Llevará 30 segundos aproximadamente purgar todo el detergente de la tubería. Comience en la parte superior y trabaje hacia abajo, para obtener los mejores resultados del enjuague.
7. Después de cada uso, extraiga por sifón un galón de agua del sistema de inyección de detergente a baja presión. Esto evita la posibilidad de corrosión o de que el residuo de detergente cause problemas mecánicos durante el próximo uso.



### PELIGRO

#### ¡RIESGO DE INYECCION CAUSANTE DE LESIONES GRAVES!

¡LA CARATERÍSTICA DE INICIO/PARADA AUTOMÁTICA APAGARÁ LA LAVADORA A PRESIÓN HASTA QUE SE ACCIONE LA PISTOLA. EL APAGADO TOTAL REQUIERE QUE EL INTERRUPTOR "OFF/PUMP/BURNER/STEAM" (APAGADO/BOMBA/QUEMADOR/VAPOR) SE MUEVA A LA POSICIÓN APAGADA.

PARA PREVENIR LA DESCARGA ACCIDENTAL DE ALTA PRESIÓN, NO DEJE LA UNIDAD SIN SUPERVISIÓN HASTA QUE EL INTERRUPTOR "OFF/PUMP/BURNER/STEAM" (APAGADO/BOMBA/QUEMADOR/VAPOR) ESTÉ EN LA POSICIÓN APAGADA.!

### APAGADO:

1. Mueva la varilla a la posición abierta (de bomba).
2. Aprete el gatillo y descarque el agua por 3 min. a calmar el intercambio calentador y manquera del presión alta. (Se no permite la unidad a calmar completamente puede causar problemas y finalmente la manquera va a romper.)
3. Mueva la varilla a la posición cerrado.
4. Gire el agua para cerrarlo y aprete el galitito momentán ea mante para desahogar la presión trampa.
5. Desconecte la mangura de presión alto, la pistola y la Inaza dual. Desague y queda lo en un lugar que no quede helar.

## ALMACENAMIENTO Y MANTENIMIENTO

### MANTENIMIENTO ESPECIFICO:

**BOMBA:** El aceite de la bomba debe ser cambiado después de las primeras 50 horas de operación en todas las unidades. Se recomienda intervalos de 250 horas, después de la carga inicial. Pueden requerirse cambios con mayor frecuencia, si el aceite parece sucio o lechoso. Use aceite para bombas de SAE20 o 30 que no detergente y llene sólo hasta la marca en el vidrio. NO llene en exceso.

### ACOPLES RAPIDOS:

Hay un sello del anillo en O dentro de acople rápidos hembra en la salida de agua de su unidad. Este anillo en O se deteriorará. Simplemente inserte un anillo de repuesto para corregir la pérdida. (Pueden comprarse anillos en O adicionales de su distribuidor).

### BOQUILLAS:

El agua que fluye a través de la boquilla de rociado de conexión rápida desgastará y agrandará el orificio, resultando en una pérdida de presión. Deberían reemplazarse las boquillas siempre que la presión sea menor que el 85% del máximo. La frecuencia de reemplazo dependerá de tales variables tales como el contenido mineral en el agua y el número de horas que se usa la boquilla.

### SEPARADOR DE AGUA Y COMBUSTIBLE:

El filtro de combustible tiene un separador de agua integrado. Ocasionalmente, debe drenarse el agua del separador. Siga los procedimientos detallados a continuación:

1. Revise el recipiente colector diariamente.
2. Asegúrese que la unidad esté apagada y ponga un colector de aceite debajo del cartucho de combustible.
3. Afloje el tapón de drenaje para permitir que los contaminantes del combustible/agua fluyan al colector de aceite.
4. Vuelva a apretar el tapón de drenaje cuando haya terminado.
5. Deseche el material drenado de acuerdo siguiendo los reglamentos ambientales de su área.

### AIRE QUEMADURA AJUSTAMIENTOS:

El postigo aire fue para operación correcta entre nivel de mar y 2000 feet a las condiciones normales (60°F agua y temperaturas aires) a ser seguro que tiene combustión máxima a las temperaturas frías y alturas altas. Es necesario ajustar la cantidad del aire al gabinete de combustión. Se recomienda un examen del humo durante algún ajustamiento del aire. Este va a adicionar la eficacia de quemadura y sootings excesiva del gabinete de combustión.

1. La maguina tiene que funcionar y la quemadura abierto.
2. Tome un examen de humo para determinar si necesita más o menos aire para combustión correcta.
  - a. Si el examen es más de 3 número. Ponga más aire dentro del gabinete de combustión.
  - b. Si el examen está amarillo en color. Ponga menos aire dentro del gabinete de combustión.
3. Agarrar la depostible del aire regulable brazo y aflojar la contratuerca. Muevas la postigo 1/8" incrementos y apretarse la contaturca después cada una muevas.
4. Aprete la pistola abierta y cerrada muy despacio y sea seguro que hay ignición bueno. No hay igniciones esponosos y una pueba de 0-3 esta bien.
5. Repete pasos 2 y 3 desile tiene paso 4.

**GALTERAS:** Inmediatamente remover algunas galteras que encuentre en la sistema para remover partes por poner un sellador a los hilos y reponiendo.

**NOTA:** Si esta usinado cinta adhesiva, sea seguro que no cinta adhesiva del reloj puede entrar alguna fontanería a reducir la posibilidad de una tobera tapado.

## ALMACENAMIENTO Y MANTENIMIENTO

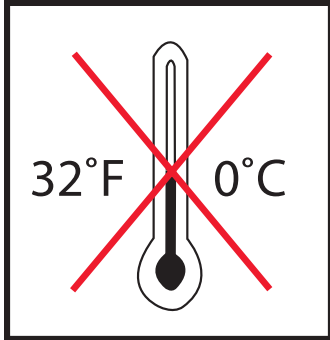
### PREPARACION PARA EL INVIERNO:

1. Será necesario preparar esta unidad para el invierno, para fines de Almacenamiento y transporte en temperaturas ambiente inferiores al punto de congelación. Esta unidad debe protegerse contra la temperatura más baja incurrida por las siguientes razones:
  - a. Si se congela cualquier parte del sistema de bombero puede acumularse una presión excesiva en la unidad, lo que podría causar que la misma reviente resultando en lesiones posibles graves al operador o a los observadores.
  - b. El sistema de bombeo de esta unidad puede resultar dañado permanentemente si se congela. **LOS DAÑOS POR CONGELACION NO ESTAN CUBIERTOS POR LA GARANTIA.**

Usted puede proteger su unidad siguiendo el procedimiento indicado abajo, si debe almacenarla en un lugar donde la temperatura puede descender por debajo de los 32°F.

1. Reúne los artículos siguientes:
  - a. Dos recipientes de 5 galones.
  - b. Un galón de anticongelante. (Fabricante recomienda un anticongelante seguro para el medio ambiente.)
  - c. Suministro de agua.
  - d. Una manguera de tres pies de largo con un D.I. de 1/2-3/4 y con un adaptador macho de manguera de jardín de 3/4 de pulgada.
2. Procedimiento:
  - a. Para comenzar a preparar su unidad para el invierno, la misma debe hacerse funcionar y cebarse de acuerdo con los "OPERACIÓN DE ARRANCAR / AQUA FRIO" indicados en la página 84.
  - b. Apague la unidad y corte el suministro de agua, después de hacerla funcionar y cebarla.
  - c. Elimine la presión del sistema apuntando la pistola a gatillo hacia una dirección segura y accionando el gatillo hasta que el flujo de agua cese de salir por la boquilla.
  - d. Asegure la pistola a gatillo en la posición OFF. Gradue la lanza dual al presión bajo.

**NOTA:** *La preparación apropiada para el invierno está basada en las instrucciones recomendadas del fabricante incluidas en la "Tabla de Protección" mostrada en el rótulo posterior de la mayoría de los recipientes de anticongelantes.*



---

### MODELOS ALIMENTO DIRECTO:

1. Retire la manguera de suministro de agua de la unidad y fije seguramente la manguera de 3 pies a la conexión de entrada.
2. Si fuera aplicable apague el inyector de detergente.
3. Llene con agua un balde de 5 galones.
4. Manteniendo la manguera de 3 pies en una posición vertical, llénela completamente con agua. A continuación tapone la salida de la manguera con su dedo pulgar u otro dedo. Coloque el extremo taponado dentro del balde de agua de 5 galones.
5. Arranque la unidad. Accione varias veces el gatillo de la pistola hasta que todo el aire haya salido del sistema (la unidad está cebada). Puede ser necesario disminuir las RPM del motor a funcionamiento en vacío para ayudar el cebado.
6. Por medio de la acción de sifón extraiga suficiente agua del balde de 5 galones hasta que haya justo suficiente agua restante para mezclar con el anticongelante, con la pistola a gatillo mantenido abierto.
7. Apunte la vara hacia el recipiente vacío.
8. Accione el gatillo de la pistola hasta que el anticongelante comience a salir por la vara. Suelte el gatillo por 3 segundos, a continuación accione el gatillo de la pistola por 3 segundos. Continúe ciclando la pistola varias veces hasta que toda la mezcla anticongelante es extraída del recipiente por la acción de sifón.
9. Apague la unidad.
10. Separe la manguera de 3 pies de la unidad y drene todo el exceso restante de anticongelante dentro del recipiente de 5 galones.

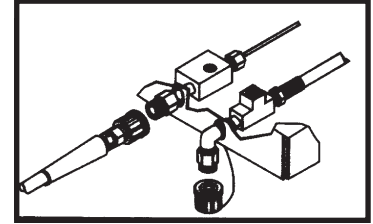
## ALMACENAMIENTO Y MANTENIMIENTO

### PREPARACION PARA EL INVIERNO:

#### MODELOS DEL DEPOSITOS FLOTANTES:

1. Quite la tapa del deposito flotado.
2. Arranque la unidad y aprete el gatillo desde el deposito esta casi vacio.
3. Apaque la unidad.
4. Ponga una mesda de aqua y anticongelante en un contrninte que puede usar para arroyar la solució dentro del deposito flotado.
5. Arranque la unidad y inidque el gatillo dentro un continente vacio. Aprete el gatillo desde el anticongelante está empezando salir el gatillo a asemebla. Continúe ciclano la pistola varias veces hasta que toda la mezcla anticongelante es extraída del recipiente por la acción de sifón.
6. Apaque la unidad.

COIL DRAIN PLUG



- 
- e. Desconecte el conjunto de manguera/pistola/vara de la unidad y drene todo el exceso restante de anticongelante dentro del recipiente de 5 galones.
  - f. Drene la manguera, gatillo pistola y lanza dual y quede los con la unidad en un lugar que no puede congelar.
  - g. Almecene la solución anticongelante para un uso ulterior o descártela de acuerdo con las leyes de protección del medio ambiente correspondientes.
3. Procedimiento opcional:
- a. Apague la unidad y corte el suministro de agua.
  - b. Elimine la presión del sistema apuntando la pistola a gatillo hacia una dirección segura y accionando el gatillo hasta que el flujo de agua cese de salir por la boquilla.
  - c. Desconecte y drene la manguera, la pistola y la vara.
  - d. Quite el tapon rollo desaguadero del entrante caliente intercambio.
  - e. Arranque la unidad y permita que funcione hasta que toda el agua salga de la misma. Apague una vez que el agua ha cesado de fluir de la unidad.

**NOTA:** *Debe ejercerse precaución al usar este procedimiento, ya que pueden formarse plaquitas de hielo de las gotas de agua, lo que podría causar que la unidad reviente si se arranca antes de estar completamente descongelada.*

## LOCALIZACION DE FALLAS

SINTOMA	CAUSA PROBABLE	SOLUCION
El motor de la bomba no funciona.	Sobrecarga del circuito.	Examine infractor del pared o el plomo.
	GFCI tropezó.	Reajuste.
	Sobrecarga del motor.	Reajuste boton del sobrecarga termica en motor de la bomba o electrica de control panel el interior.
No hay descarga de la boquilla cuando se acciona el mecanismo del gatillo.	Se está usando la opción Inicio/parada automática.	Apunte la pistola en una dirección segura y apriete el gatillo.
	Suministro inadecuado de agua.	Asegúrese que la manguera tenga 3/4" de diámetro y que el suministro de agua entrante esté abierto.
Presión baja o fluctuante	Doblez en la manguera de entrada de agua.	Elimine el doblez
	Doblez en la manguera de descarga de alta presión.	Reemplace la manguera.
	Está obstruido el tamiz de la entrada de agua.	Saque el tamiz, limpie o reemplace.
	La bomba absorbe aire (Eliminado el cebado)	Ajuste todas las conexiones de entrada de agua. Elimine dobleces en la tubería de entrada.
	Gatillo de lanza dual no esta en hoda de presion alto.	Gire el gatillo en sentido contrario a las agujas del reloj presion alto.
	La boquilla de rociado está obstruida o gastada.	Saque, limpie o reemplace.
	El conjunto de la válvula en la bomba está dañado o obstruido.	Saque, inspeccione, limpie o reemplace.
	Los empaques de la bomba están gastados.	Reemplace los empaques.
	La válvula de derivación no opera correctamente.	Repare o reemplace.
Hay escama en el rollo calentiente intercambia.	Quite escama del rollo.	
Pérdida de agua de la "Válvula de descarga térmica"	La temperatura del entrada de agua es demasiado elevada.	La temperatura de agua entrante debe ser inferior a 125°F.
	La temperatura del agua es demasiado elevada.	No permita que la unidad opere en el modo de derivación (con la pistola a gatillo cerrado) durante más de tres minutos.
	Válvula defectuosa.	Reemplace.
El agua parece lechosa o espumosa	Agua en el aceite.	Cambie la bomba de aceite. Llene al nivel apropiado.
Pérdida de aceite de la unidad	Sulos o argollas gastados.	Saque, limpie o reemplace.

## LOCALIZACION DE FALLAS

SINTOMA	CAUSA PROBABLE	SOLUCION
Cuando la pistola de gatillo está asegurado en la posición "OFF", el agua fluye desde la boquilla.	La pistola funciona mal.	Repare o reemplace.
El flujo de agua retrocede al recipiente del detergente.	Controla valvula perdido o corroer.	Retire, limpie o reemplace.
Agua esta saliendo debajo del rollo caliente intercambio.	El tapón do drenaje del serpentín no está instalado.  El aparato de seguridad está salida de agua debido a una falla de un descargador o interruptor de presión.	Instale el tapón.  1. Diagnostique y corrija el problema del descargador o interruptor de presión. 2. Reemplace el aparato de seguridad contra estallidos. NUNCA active la unidad sin un aparato de seguridad. Podría causar una explosión.
El detergente no fluirá por sifón.	El tamiz del detergente no está completamente sumergido en la solución de detergente.  El tamiz del detergente está obstruido.  La manguera del detergente está cortada, obstruida o doblada.	Inspeccione, sumerja si fuera necesario.  Inspeccione, limpie o reemplace.  Inspeccione, limpie o reemplace.
El detergente no fluirá por sifón en el modo de detergente a baja presión.	La perilla de ajuste del detergente está girada a la posición cerrada.  La boquilla del detergente está taponada.  Gatillo de lanza dual no esta en modo de presion bajo.  Hay demasiadas extensiones de las mangueras de alta presión conectadas a la salida de agua.  La esfera y el resorte en el Venturi están atascados.	Abra la perilla de ajuste. Refiérase a "Limpieza con detergentes".  Limpie o reemplace.  Gire el gatillo de la saguyas del relo ga presion bajo.  Use una extensión como máximo.  Retire, limpie o reemplace.
El motor quemado no funciona.	La varilla no esta en la posición de "quemada".  No hay voltaje.  Carga excesiva termica automatica tropezó.  Bomba combustible encerró.  La rueda ventriadora encerró.	Examine posición de la varilla.  Llame los servicios para clientes.  El motor va a arrancar otra vez automaticamente.  Repara o reponga con una nueva bomba combustible. Permite el motor a calmar para reducir carga excesiva térmica.  Repara o reponga con una nueva la rueda ventriadora. Permite el motor a calmar para reducir carga excesiva térmica.

## LOCALIZACION DE FALLAS

SINTOMA	CAUSA PROBABLE	SOLUCION
Quemador no encendia	Varilla no está en posición quemada.	Examine posición de varilla.
	No hay voltage.	Llame los servicios.
	No hay combustible.	Más combustible. (Reset burner primary control on cadmium cell options.)
	La malla del tubo de entrada del tanque de combustible está obstruida.	Retire, limpie o reemplace el tubo.
	Gatillo está cerrado.	Abre el gatillo para presión.
	Varilla de presión está fatigando	Presión debe estar más a 250 PSI/18 Bar a permitir quemadura encender.
	Varilla de los límites altos está fatigando.	La unidad se volverá a encender automáticamente cuando esté fría.
	Acoplador regulable roto.	Reemplace.
	Filtro combustible/separador del agua sucio o atascado.	Desaque o reemplace como es necesario.
	Bomba combustible está absorbiendo el aire.	Apriete todas las conexiones de entrada de combustible. Elimine las fugas en la línea de entrada.
	Bomba combustible no funciona.	Examine la presión reemplácese si necesita.
	Boquilla combustible sucia o atascada.	Reemplace.
	Ajuste del aire quemado incorrecto.	Ajuste como se dice en página 85.
	Transformador de ignición no funciona.	Reemplace.
	Electrodos de ignición gastados.	Con unidad funcionando y gatillo cerrado, mira por vidrio quemado a ser seguro que hay chispas entre los electrodos.
Valvula del combustible no funcional.	Reemplace.	
Opción de Vapor:	Modo de Vapor.	Compruebe que el interruptor Burner/Steam (Quemador/vapor) esté en la modalidad "Steam" (Vapor).
	Modo de Vapor: PSI de la cabeza de bomba demasiado altas.	Reduzca las PSI a 350
Opción de celda de cadmio:	Bloqueo del control primario.	Restablézcalo.



## LOCALIZACION DE FALLAS

SINTOMA	CAUSA PROBABLE	SOLUCION
Quemadura funciona irregular.	Hay agua en petroleo.	Desaugue filtro combustilbe y agua seperador. Desaugue depósito combustible y reemplace con combustible limpio.
	Filtro combustible / aqua separador sucio.	Reemplace el elemento.
	Tobera combustilbe sucio.	Reemplace.
	Ajustamiento malo del aire.	Ajuste como se dice en pág. 85.
	Bomba combustible no funciona.	Reemplace.
Quemadura funciona pero no acolorar.	Combustible malo o incorrecto.	Examine combustible a ser seguro que esta correcto. Desaugue el depósito y reemplace el filtro si es necesario y reponga combustible.
	Presión del combustible bajo.	Examine la presión del combustible y reemplace si es necesario.
	Combustible malo o incorrecto.	Examine combustible a ser seguro que está correcto. Desaugue el depósito y reemplace el filtro si es necesario y reponga combustible.
	Presión del combustible bajo.	Examine la presión del combustible y reemplace si es necesario.
	Tobera combustible sucio.	Reemplace.
	Ajustameinto del aire incorrecto.	Ajuste como se dice en pág. 85.
Quemadura descarga humo blanco.	Hay escama en el rollo calentiente inter-cambia.	Quite escama del rollo.
	No hay mucho combustible.	Ponga más combustible. Si todavia hay humo blanco llame los servicios.
	Presión del combustible bajo.	Examine la presión del combustible y reemplace si es necesario.
	Tobera combustible sucio.	Reemplace.
	Ajustameinto del aire incorrecto.	Ajuste como se dice en pág. 85.
	Puesta en marcha con cámara de combustión fría.	Haga funcionar el quemador por varios minutos.
Quemadura descarga humo negro.	Hay aire exesivo.	Ajuste como se dice en pág. 85.
	No hay bastante aire.	Ajuste como se dice en pág. 85.
	Cámara de combustión cargada con combustible sin quemar.	Llame los servicios.

## TABLA MANTENIMIENTO

PROCEDIMIENTO	DIARIAMENTE	3 MESES	6 MESES	9 MESES	12 MESES
Examine cordón electrico	X				
Examine GFCI	X				
Pruebe voltaje y amperaje					X
Compruebe nivel del petroleo bomba	X				
Cambie petroleo de bomba **		X	X	X	X
Examine filtración de petroleo	X				
Examine filtración de combustible	X				
Examine filtración del agua	X				
Examine la manquera	X				
Examine filtro del aqua de admisión	X				
Compruebe filtro combustible/ agua seperado	X				
Examine de correas		X	X	X	X
Reponga tobera alta presión***		X	X	X	X
Reponga filtro combustible/ agua separad					X
Examine filtro de bomba combustible*					X
Reponga tobera combustible*					X
Compruebe aire quemadura regulable		X	X	X	X
Compruebe quemadura electrodos*					X
Pruebe la presión del aqua*		X	X	X	X
Pruebe la presión de combustible*		X	X	X	X
Pruebe temperatura del aqua*		X	X	X	X
Quite escama del rollo****					X

\* Debe realizar esto un técnico de servicio autorizado.

\*\* Ud tiene que cambiar combustible de bomba después de las primeras 50 horas. De la operación y cada (250) horas o 3 meses, cualquiera.

\*\*\* Las boquillas de alta presión deben reemplazarse siempre que la presión sea inferior al 85%.

\*\*\*\* Hay una diferencia con la acumulacion de escama con minerales en el aqua y la cantidad de usos. Tiene que quitar escama cada mes o cada año.

## OPCIONES

		HSE-1002-0MG10	HSE-1502-0MG10	HSE-2003-0MG10	HSE-1002-0MM11	HSE-1502-0MM11	HSE-2003-0MM11	HSE-2504-0M10	HSE-2504-0M30	HSE-3004-0M10	HSE-3004-0M30	HSE-3504-0M10	HSE-3504-0M30
HX-0070	Automatico Empezar/Parar							X	X	X	X	X	X
HX-0071	Automatico Empezar/Parar Vapor							X	X				
HX-0072	Automatico Empezar/Parar Vapor									X	X		
HX-0073	Automatico Empezar/Parar Vapor											X	X
HX-0074	Automatico Empezar/Parar Cadmium							X	X	X	X	X	X
HX-0075	Automatico Empezar/Parar Vapor/Cadmium							X	X				
HX-0076	Automatico Empezar/Parar Vapor/Cadmium									X	X		
HX-0077	Automatico Empezar/Parar Vapor/Cadmium											X	X
HX-0085	480 Volt								X				
HX-0086	480 Volt										X		
HX-0087	480 Volt												X
HX-0088	Máquina Pie							X	X	X	X	X	X
HX-0161	Contador Hora							X	X	X	X	X	X
HX-0232	Vapor	X	X										
HX-0233	Termostato Ajustable	X	X	X	X	X	X						
HX-0235	Contador Hora	X	X	X	X	X	X						
HX-0237	Automatico Empezar/Parar	X	X	X	X	X	X						
HX-0238	Apagado Del Encendido Retardado	X	X	X	X	X	X						
HX-0239	Vapor				X	X							
HX-0240	Vapor			X									
HX-0241	Vapor						X						
50-0161	Detergentes A Alta Presión				X	X	X						

## ACCESORIOS

		HSE-1002	HSE-1502	HSE-2003	HSE-2504	HSE-3004	HSE-3504
15-0006	Manguera Abastecer De Agua 3/4"	X	X	X	X	X	X
50-0195	Carrete Manguera 13" (Puede Manterner 100')	X	X	X	X	X	X
50-0196	Carrete Manguera 16" (Puede Manterner 200')	X	X	X	X	X	X
50-0140	Ménsula De La Manguera (22" Bar)	X	X	X			
852-0161	Manguera Para Carrete Manguera (4000 PSI)	X	X	X			
852-0138	Manguera Para Carrete Manguera (4000 PSI)				X	X	X
850-0174	Manguera Extension 50' (3000 PSI)	X	X	X	X		
850-0199	Manguera Extension 50' (4500 PSI)	X	X	X	X	X	X
AW-3000-0035	Boquilla Carburo Arena Acribillar*			X			X
AW-3000-0004	Boquilla Carburo Arena Acribillar*	X			X	X	
AW-4085-0016	Petroleo De Bomba	X	X	X	X	X	X
AW-7002-4045	Boquilla Giratoriade * (2000 PSI)	X					
AW-7004-0045	Boquilla Giratoriade * (3000 PSI)				X	X	
AW-7010-0001	Boquilla Giratoriade * (3600 PSI)		X	X			X
AW-7003-1500	Boquilla Giratoriade *	X	X	X	X	X	X
AW-7018-1200	Vara Extension 12' ** (3000 PSI)	X	X	X	X	X	
AW-7018-1800	Vara Extension 18' ** (3000 PSI)	X	X	X	X	X	
AW-7018-2400	Vara Extension 24' ** (3000 PSI)	X	X	X	X	X	
AW-7020-8003	Limpia De Superficie Rotatorio 20" ** (4000 PSI)	X	X	X	X	X	X
AW-7020-8001	Limpia De Superficie Rotatorio 28" ** (4000 PSI)	X	X	X	X	X	X

\*Necesita 17-0028 1/4" Conecta rapida a hembra.

\*\*Necesita 17-0004 3/8" Conecta rapida a hembra.

\*\*\*PSI y GPM tienen que se especificada cuando esta ordena.

Detergents de Mi-T-M son detergentes especialmente para usar con lavadoras a presion de Mi-T-M & estan envasando en dimensiones varios. Para mas llame los servicios para clientes a 800-553-9053.

## DECLARACIÓN DE GARANTÍA

Mi-T-M Corporation garantiza que todas las piezas (excepto aquellas a las que se hace referencia abajo), de su nueva lavadora a presión libres de defectos en materiales y mano de obra durante los periodos siguientes:

Para un curso de la vida contra congelar y agrietarse:

Colector de bomba

Por siete (7) años a partir de la fecha original de compra:

Bomba de Alta Presión

Por tres (3) años a partir de la fecha original de compra:

Quemadura del rolo

Por dos (2) años a partir de la fecha original de compra:

Estructura  
Guardia

Fontaneria  
Poleas

Por un (1) año a partir de la fecha original de compra:

Encender de selectivo  
Cordón con GFCI  
Termostato ajustable

Empezar interruptor  
Sobrecarga

Por seis (6) mes a partir de la fecha original de compra:

Transformador encendido

El motor quemador

Por noventa (90) días a partir de la fecha original de compra:

Electrodos  
Valvula de combustible  
Válvula de regulación  
termostato alto del límite

Interruptores de seguridad  
Bomba de combustible  
Solenoides del combustible

Por treinta (30) días a partir de la fecha original de compra:

Alta Presión Manguera  
Filtros

Pistola  
Lanza Dual

Las piezas defectuosas que no están sujetas a deterioro causado por el uso serán reparadas o reemplazadas a nuestra opción durante el periodo de garantía. En todo caso, el reembolso está limitado al precio de compra pagado.

### EXCLUSIONES

1. El motor está cubierto bajo una garantía separada proporcionada por el fabricante respectivo y está sujeta a los términos en ella establecidos.
2. Partes de desgaste normal:  
Empaques de las bombas  
Filtros de combustible  
Boquillas  
Correa  
Válvulas de la bomba  
Válvulas del detergente  
Conexión Rapida  
o-aro
3. Esta garantía no cubre las piezas dañadas debido al deterioro normal causado por el uso, mala aplicación, mal uso, operación a velocidades, presiones o temperaturas diferentes a las recomendadas. Las piezas dañadas o gastadas a causa del uso de líquidos cáusticos o por la operación en medios ambientes abrasivos o corrosivos o bajo condiciones que causan cavitación de la bomba no están garantizadas. La falla en seguir los procedimientos recomendados de operación y mantenimiento también cancela la garantía.
4. El uso de piezas de repuesto diferentes a las genuinas Mi-T-M cancelará la garantía. Las piezas devueltas, con franqueo pagado a un Centro de Servicio Autorizado, serán inspeccionadas y reemplazadas, libre de cargos, si se determina que están defectuosas y sujetas a la garantía. No existen garantías que se extiendan más allá de la descripción contenida aquí. Bajo ninguna circunstancia fabricante será responsable por la pérdida de uso de la unidad, pérdida de tiempo, inconvenientes, pérdida comercial o daños consecuentes.

PARA SERVICIO O CONSIDERACION DE LA GARANTIA CONSULTE CON:

Mi-T-M® Corporation, 8650 Enterprise Drive, Peosta, IA 52068  
Telefono: 563-556-7484 / Telefono gratis en los EE.UU.: 800-228-6172  
Fax 563-556-1235

Lunes - Viernes 8:00 a.m. - 5:00 p.m. CST

Manufactured by Mi-T-M  
8650 Enterprise Drive, Peosta IA 52068  
563-556-7484/ Fax 563-556-1235