



TRASH PUMPS  
***3" Honda WTP-T03-OMGH***  
***4" Honda WTP-T04-OMGH***

**NOTE: ENGINE IS SHIPPED WITHOUT OIL. REFER TO ENGINE  
MANUAL.**

# INTRODUCTION

Congratulations on the purchase of your new Trash Pump! You can be assured your product was constructed and designed with quality and performance in mind. Each component has been rigorously tested to ensure the highest level of acceptance.

This operator's manual was compiled for your benefit. By reading and following the simple safety, installation, operation, maintenance and troubleshooting steps described in this manual, you will receive years of trouble-free operation from your new unit. The contents of this manual are based on the latest product information available at the time of publication. The manufacturer reserves the right to make changes in price, color, materials, equipment, specifications or models at any time without notice.

Once the unit has been removed from the box, immediately write in the serial number of your unit in the space provided below.

**SERIAL NUMBER** \_\_\_\_\_

Inspect for signs of obvious or concealed freight damage. If damage does exist, file a claim with the transportation company immediately. Be sure that all damaged parts are replaced and that the mechanical problems are corrected prior to operation of the unit. If you require service, contact your Customer Service.

Mi-T-M® Corporation, 50 Mi-T-M Drive, Peosta, IA 52068  
(563) 556-7484 / (1-800-553-9053) Fax 563-556-1235  
Monday - Friday 8:00 a.m. - 5:00 p.m. CST

Please have the following information available for all service calls:

1. Model Number
2. Serial Number
3. Date and Place of Purchase

<b>⚠ WARNING/AVERTISSEMENT</b>		
<b>RISK OF BURNS: HOT SURFACES, MUFFLER AND ADJACENT AREAS MAY EXCEED 150°F.</b>		<b>RISQUE DE BRULURES: SURFACES CHAUDES LE TUYAU D'ÉCHAPPEMENT ET LES RÉGIONS ADJACENTES PEUVENT DÉPASSER LES 65°C.</b>
<small>54-0767-E/J-F-052901-ENG.</small>		

**⚠ WARNING**  
This product contains one or more chemicals known to the State of California to cause cancer and birth defects or other reproductive harm.

THIS SPARK IGNITION SYSTEM COMPLIES WITH CANADIAN ICES-002.  
CE SYSTÈME D'ALLUMAGE PAR ÉTINCELLE EST CONFORME À LA NORME NMB-002 DU CANADA.

**⚠ WARNING**  
**Warning:** This product contains lead, a chemical known to the State of California to cause birth defects or other reproductive harm.  
*Wash your hands after handling this product.*

# TABLE OF CONTENTS

CONTENTS	
INTRODUCTION .....	2
SAFETY .....	4
FIRE AND VENTILATION PRECAUTIONS .....	5
IMPORTANT SAFETY INSTRUCTIONS .....	5
PRE-OPERATION .....	7
OPERATION .....	9
HOW TO USE .....	9
STARTING AND OPERATING THE ENGINE .....	9
STOPPING THE ENGINE .....	10
SHUTDOWN .....	10
DISASSEMBLY AND CLEANING .....	10
WATER HAMMERING .....	10
STORAGE .....	10
TROUBLE SHOOTING .....	11
SERVICE .....	12
CHECK ENGINE OIL .....	12
CHANGE ENGINE OIL .....	13
GASOLINE ENGINE OIL .....	13
CLEAN AIR FILTER ELEMENT .....	13-14
CLEANING AND GAPPING SPARK PLUGS .....	15
ADJUSTING RPM .....	15
CLEANING SEDIMENT CUP .....	16
SOLUTIONS .....	17
ACCESSORIES .....	18
WARRANTY .....	19

# SAFETY

## RECOGNIZE SAFETY INFORMATION

This is the safety alert symbol. When you see this symbol on your new unit or in this manual, be alert to the potential for personal injury.

Follow recommended precautions and safe operating practices.



## UNDERSTAND SIGNAL WORDS

A "DANGER, WARNING or CAUTION" safety warning will be surrounded by a "SAFETY ALERT BOX." This box is used to designate and emphasize Safety Warnings that must be followed when operating the Trash Pump.

Accompanying the Safety Warnings are "signal words" which designate the degree or level of hazard seriousness. The "signal words" used in this manual are as follows:

**DANGER:** Indicates an imminently hazardous situation which, if not avoided, WILL result in death or serious injury.

**WARNING:** Indicates a potentially hazardous situation which, if not avoided, COULD result in death or serious injury.

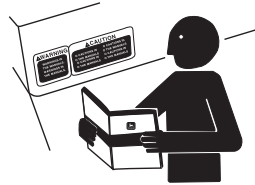
**CAUTION:** Indicates a potentially hazardous situation which, if not avoided MAY result in minor or moderate injury.



## READ OPERATING INSTRUCTIONS

Always become familiar with all the instructions and warnings before operating any unit.

**IMPROPER OR UNSAFE USE OF THIS PUMP CAN RESULT IN DEATH OR SERIOUS BODILY INJURY! THIS MANUAL CONTAINS IMPORTANT INFORMATION ABOUT PRODUCT SAFETY. PLEASE READ AND UNDERSTAND THIS MANUAL BEFORE OPERATING THE TRASH PUMP.** Keep this manual available for other users and owners before they use the pump. This manual should be stored in a safe place.



# SAFETY



## IMPORTANT

### FIRE & VENTILATION PRECAUTIONS:

1. This unit was designed for outdoor use only. NEVER operate this unit in an enclosed area. ALWAYS make certain there is adequate air (oxygen) for combustion as well as ventilation to prevent the presence of poisonous carbon monoxide gases. Beware of poorly ventilated areas or exhaust fans which can cause inadequate combustion or engine overheating.
2. NEVER operate this unit in the presence of flammable vapors or combustible dust, gases or other combustible materials. (A spark may cause an explosion or fire.) When servicing this machine, be especially careful to properly dispose of any flammable materials. DO NOT spray flammable liquids.
3. ENGINE FUEL TANK:
  - a. DO NOT SMOKE WHILE FILLING ENGINE FUEL TANK
  - b. NEVER fill the engine fuel tank while the unit is running or hot. Allow the engine to cool two minutes before refueling.
  - c. DO NOT refuel indoors or in a poorly ventilated area.
  - d. ALWAYS refuel slowly to avoid the possibility of spilled fuel which may cause a risk of fire.
4. DO NOT operate the unit if gasoline is spilled. Wipe unit clean and move the unit away from the spill. Avoid creating any ignition until the gasoline has evaporated.
5. DO NOT store the unit near an open flame or any equipment such as a stove, furnace, water heater, etc., which utilizes a pilot light or devices which can create a spark.

### IMPORTANT



**WARNING: TO REDUCE THE RISK OF INJURY, READ THIS OPERATOR'S MANUAL COMPLETELY BEFORE USING. WHEN USING THIS PRODUCT, THE FOLLOWING BASIC PRECAUTIONS SHOULD ALWAYS BE FOLLOWED:**

The following is required by California State law, Section 4442 of the California Public Resources Code. Other states may have similar laws. Federal laws apply on federal lands.

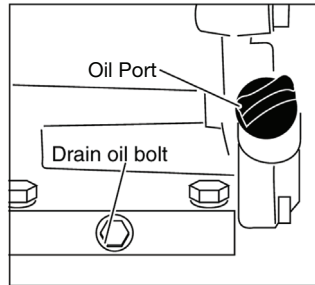
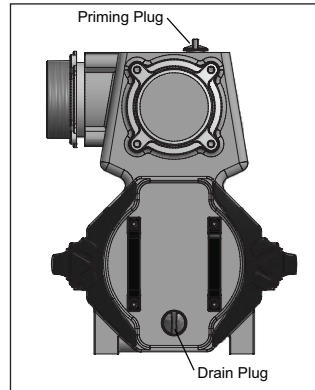
See your engine or equipment dealer for spark arrester muffler options.

### IMPORTANT SAFETY INSTRUCTIONS

1. Do not touch muffler or any part of the engine.
2. Use this pump for clean or cloudy water.
3. Use correct type of suction hose.
4. Do not run pump without water inside the pump. This will result in pump damage.
5. Use reinforced suction hose for suction side of the proper size. Please purchase suitable hose to fit to connection diameter and suitable length.
6. Ensure that the suction is securely tightened onto the suction side of the pump.

# SAFETY

7. Replace name plate if damaged/peeled, please order from dealer.
8. This pump was designed to pump clean or cloudy water. Pumping muddy or high contaminants could result in mechanical seal failure.
9. Priming: this pump is self-priming, however it still requires the pump body to be filled with water. Running the pump without filling with water can result in mechanical seal failure.
10. Hose connections: If the pump fails to pump water in a short time, the suction hose connection could be leaking air. Stop the engine and check the suction hose connection and re-start the engine.
11. Drain water from pump after each use, especially if the temperature will be at or below freezing. Failure to do so can result in damage to the pump.
12. Suddenly stopping the discharge of water can result in Water Hammer, which can break the pump housing.

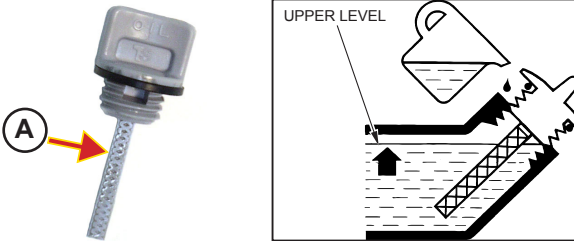


# PRE-OPERATION

## CHECK ENGINE OIL

*NOTE: All units are shipped without engine oil. Refer to engine manual to fill.*

1. Place unit on level surface.
2. Remove oil filler cap/dipstick (A) and wipe it clean.
3. Insert filler cap/dipstick into oil filler neck, but DO NOT screw it in.
4. Remove dipstick. Proper oil level is at midpoint of dipstick (A). Add oil if necessary to bring oil level to top of threads.
5. Install and tighten cap.

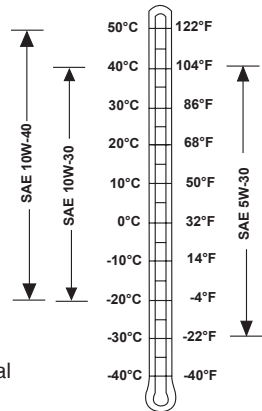


## GASOLINE ENGINE OIL

Use oil viscosity based on the expected air temperature range during the period between oil changes.

Other oils may be used if they meet one or more of the following:

- API Service Classification SH
- API Service Classification SG
- CCMC Specification G4
- CCMC Specification G5



## BEFORE USE

1. Engine is shipped without oil. Refer to engine manual for proper oil specifications.



**WARNING FLAMMABLE! AVOID FIRE WHEN REFUEL OR MAINTENANCE.**



**CAUTION FLAMMABLE! DO NOT SMOKE WHEN MIXING FUEL AND REFUEL NEAR OPEN FIRE.**

**ANY FUEL SPILLAGE MUST BE CLEANED COMPLETELY BEFORE STARTING THE ENGINE.**

**STOP ENGINE AND WAIT UNTIL THE ENGINE HAS COOLED DOWN BEFORE REFUELING.**

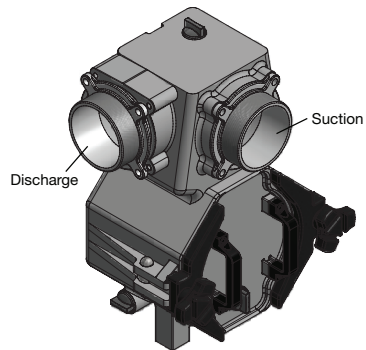
# PRE-OPERATION

**DO NOT USE OLD FUEL OVER 30 DAYS. FUEL SHOULD BE CLEAN AND FRESH. FUEL AROUND THE BOTTOM OF DRUM CONTAINS DIRT, IMPURITIES AND WATER. UNUSED FUEL IN TANK (IF KEPT MORE THAN 30 DAYS) MAY CAUSE ENGINE FAILURE.**

**BEFORE STARTING ENGINE, PLEASE CHECK IF ENGINE OIL IS FILLED TO REQUIRED LEVEL.**

2. Make sure suction hose is connected properly.

**Note: Failure to use approved non-collapsible suction hose and recommended hose strainer at all times during operation of pump will void the warranty of the pump and engine.**



3. Fill pump with water before use.
4. Priming: this pump is self-priming, however it still requires the pump body to be filled with water. Running the pump without filling with water can result in mechanical seal failure.
5. Hose connections: If the pump fails to pump water in a short time, the suction hose connection could be leaking air. Stop the engine and check the suction hose connection and re-start the engine.

As pump is self-priming type, fill water fully from priming port into pump before running. Insufficient water can cause damage to pump.

**CAUTION RUNNING WITHOUT FILLING WITH WATER CAN DAMAGE MECHANICAL SEAL.**

**WARNING THIS PUMP IS NOT INTENDED FOR USE WITH CHEMICALS OR FERTILIZERS. IF USED FOR APPLICATIONS PUMPING CHEMICALS OR FERTILIZERS, THE 2-YR LIMITED WARRANTY WILL NOT BE HONORED AS MOST CHEMICALS AND FERTILIZERS WILL CAUSE PREMATURE CORROSION AND SHORTEN THE LIFE OF THE PUMP. THE PUMP SHOULD BE FLUSHED WITH CLEAN WATER AFTER PUMPING ANY LIQUIDS WHICH MAY BE CONSIDERED CAUSTIC OR CORROSIVE.**



# OPERATION

## HOW TO USE

1. Ensure pump is fully filled up with water.
2. Ensure strainer at the end of suction hose is in water. (if any mud or sand is at the bottom of water, suspend hose above the bottom.)
3. Ensure no one or anything that can be damaged by water, is not in front of the discharge hose end.

## STARTING AND OPERATING ENGINE



**CAUTION: DO NOT RUN ENGINE IN AN ENCLOSED AREA. EXHAUST GAS CONTAINS CARBON MONOXIDE, AN ODORLESS AND POISONOUS GAS THAT CAN CAUSE SICKNESS OR DEATH.**



**IMPORTANT: DURING FIRST TWO HOURS OF ENGINE OPERATION, ENGINE MAY OPERATE AT LOW OR ERRATIC RPM AS THE ENGINE MOVING PARTS BREAK IN.**

1. Set fuel valve lever (A) right to ON position.
2. Move choke control lever (B) left to “CHOKE” position.  
*NOTE: A warm engine requires less choking than a cold engine.*
3. Move throttle lever (C) left to the fast position.

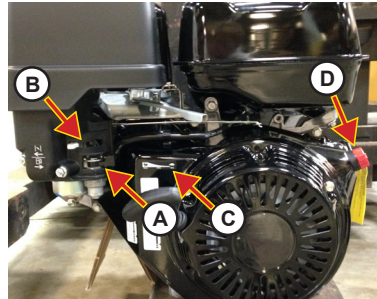
*NOTE: For best engine performance it is recommended the engine be operated with the throttle in the FAST position.*

4. Turn the engine switch (D) to “ON” to position.
5. Pull recoil starter grip lightly until resistance is felt, then pull briskly until engine starts.



**IMPORTANT: DO NOT ALLOW STARTER GRIP TO SNAP BACK AGAINST ENGINE. RETURN IT GENTLY TO PREVENT DAMAGE TO STARTER.**

6. Move “CHOKE” control lever (B) right to open position as soon as engine warms up enough to run smoothly. If engine is warm, move choke lever right as soon as engine starts.



# OPERATION

## STOPPING THE ENGINE

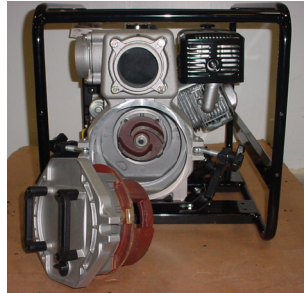
**! IMPORTANT: TO STOP ENGINE IN EMERGENCY, TURN ENGINE SWITCH (D) DOWN TO "OFF" POSITION.**

1. Move throttle lever (C) fully to the right.
2. Turn engine switch (D) to "OFF" position.
3. Move fuel valve (A) left to "OFF" position.

## SHUTDOWN

**! IMPORTANT: SHUTDOWN PROCEDURES SHOULD BE FOLLOWED AT THE END OF EACH CLEANING OPERATION.**

1. Run engine at idle for 2-3 minutes. (Refer to pictures on previous page)
2. Turn engine off by:
  - a. Moving throttle lever (A) fully to the right.
  - b. Turn engine switch (B) to "OFF" position.
  - c. Move fuel valve (C) left to "OFF" position.
3. Allow engine to cool, then wipe pump down with a damp cloth.

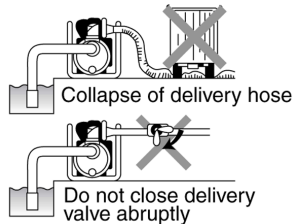


## DISASSEMBLY AND CLEANING

1. Loosen triangular shaped nuts and swing clear of the pump cover.
2. Pull the pump cover from the pump body.

## WATER HAMMERING

**! CAUTION: DO NOT ALLOW ANY VEHICLE TO RUN OVER THE DELIVERY HOSE. DO NOT CLOSE THE DELIVERY VALVE ABRUPTLY BECAUSE WATER-HAMMER MAY OCCUR. THIS MAY RESULT IN HEAVY DAMAGE TO THE PUMP.**



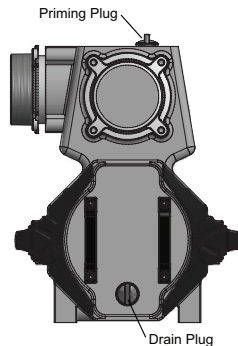
## STORAGE

1. Drain water after use.

**! CAUTION: WATER TRAPPED INSIDE PUMP WILL FREEZE AND MAY DAMAGE THE PUMP. AFTER USE, DRAIN WATER FROM PUMP BY REMOVING THE DRAIN PLUG AFTER EACH USE, AND BEFORE STORAGE.**

2. Long storage. Refer to engine manual for long term storage.

**! CAUTION: DO NOT SMOKE AS FUEL IS HIGHLY FLAMMABLE.**



# TROUBLE SHOOTING

SYMPTOM	PROBLEM	SOLUTION
Cannot pull or hard to pull recoil starter	Debris caught in impeller	Dismantle & clean impeller
	Debris caught in suction hose	Dismantle & clean hose
	Air leakage on suction side	Check suction hose and suction connections
	Engine not performing	Check & repair engine see Mi-T-M dealer
	Damage to mechanical seal	Replace mechanical seal see Mi-T-M dealer
	Suction lift is too high	Make suction lift lower
	Suction hose is too long or smaller in diameter	Shorten suction hose or enlarge diameter
	Leakage of water from discharge hose	Stop leakage of water
	Worn out impeller	Replace the impeller see Mi-T-M dealer
Pump does not prime	Air goes in from suction side	Check hose and suction connections (See Solution 2)
	Insufficient priming water inside pump	Pour more water into pump casing for priming
	Drain plug is loose	Tighten drain plug firmly.
	Damage of mechanical seal	Replace mechanical seal see Mi-T-M dealer
	Wrong suction hose used	Use correct suction hose
	Water leakage between engine and pump	Damaged mechanical seal. Replace see Mi-T-M dealer.
	Engine does not start	Refer to engine manual see Mi-T-M dealer

# SERVICE

	First Month or 20 hours	Every 3 Months or 50 hours	Every 6 Months or 100 hours	Every Year or 300 hours
Clean Air Filter		X (1)		
Change Air Filter				X
Change Engine Oil	X		X	
Clean and Gap Spark Plug			X	
Change Spark Plug				X
Clean Sediment Cup			X	
Adjust Valve Clearance				X (2)
Clean Fuel tank and filter			X (2)	
Check Fuel Tube				X (2)
Clean Detergent Strainer	X			
Clean Inlet Water Screen	X			

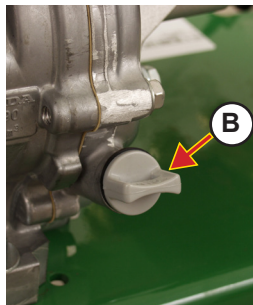
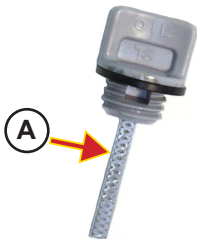
*Note: Perform oil change after first 20 hours of use and then at recommended intervals. Change engine oil every 25 hours when used under heavy load or in a high ambient temperatures.*

- (1) Service more frequently when used in dusty areas.
- (2) Should be serviced by authorized dealer unless owner has proper tools and is mechanically proficient.

## CHECK ENGINE OIL

**NOTE:** All pumps are shipped without engine oil.

1. Stop engine.
2. Place unit on level surface.
3. Remove oil filler cap/dipstick and wipe it clean (B).
4. Insert filler cap/dipstick into oil filler neck, but DO NOT screw it in.
5. Remove dipstick. Proper oil level is at midpoint of dipstick (A). Add oil if necessary to bring oil level to top of threads.
6. Install and tighten cap.



# SERVICE

## CHANGING ENGINE OIL

**IMPORTANT:** Change oil after first 20 hours of operation and every 100 hours thereafter.

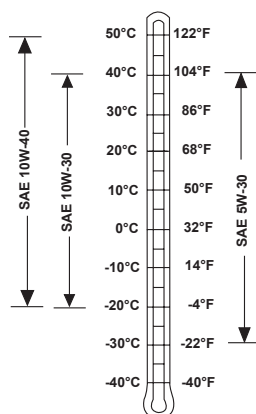
1. Put unit on level surface.
2. Run engine a few minutes to warm oil.
3. Stop engine.
4. Remove oil filler cap and drain plug and drain oil into container. Do not pollute, dispose of waste oil properly.
5. Install drain plug. Fill with oil to top of threads. Install cap.

## GASOLINE ENGINE OIL

Use oil viscosity based on the expected air temperature range during the period between oil changes.

Other oils may be used if they meet one or more of the following:

- API Service Classification SH
- API Service Classification SG
- CCMC Specification G4
- CCMC Specification G5



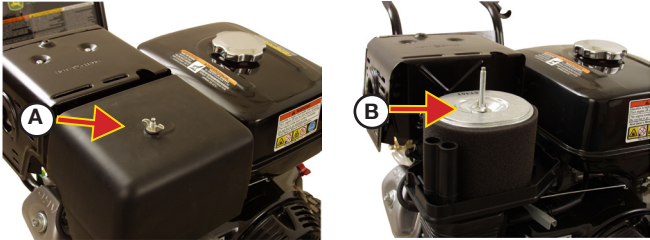
## CLEAN AIR FILTER ELEMENT

1. Remove wing nut (A) and remove air cleaner cover.
2. Remove second wing nut (B) to remove air cleaner assembly.
3. Separate air cleaner elements. Check both elements for holes or tears. Replace if damaged.
4. Wash foam element (C) in solution of household detergent and warm water. Rinse thoroughly and allow to dry thoroughly. Soak element in clean engine oil. Squeeze out excess oil.  
*NOTE: Engine will smoke during initial start-up if too much oil is left on foam.*
5. Remove excess dirt from paper element (D) by tapping lightly on hard surface, or by blowing compressed air from inside the element. Do NOT brush dirt. Brushing will force dirt into element fibers. Replace paper element after 300 hours, or if excessively dirty.
6. Install air cleaner in reverse order as removed.

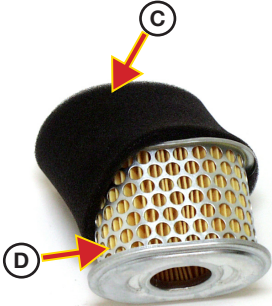
**NOTE:** SEE PICTURES ON NEXT PAGE

# SERVICE

AIR FILTER ELEMENT



FILTER



# SERVICE

## CLEANING AND GAPPING SPARK PLUG

1. Remove and inspect spark plug. If porcelain cracked or electrodes are pitted, install new spark plug.



PIC99-102299R0



**IMPORTANT: DO NOT CLEAN SPARK PLUG IN A MACHINE USING ABRASIVES.**

2. If spark plug is in good condition, clean plug by scraping or using a wire brush. Wash with a commercial solvent.
3. Use a round wire-type feeler gauge to check for a gap of 0.70 to 0.80 mm (0.028 to 0.031 inches.)
4. Carefully bend outer electrode to adjust gap.
5. Install spark plug.

Reinstalling used plug: Tighten 1/8 - 1/4 turn after spark plug seats to compress washer.

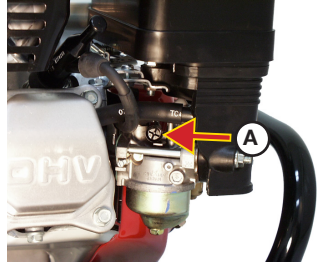
Installing new plug: Use NGK BPR6ES

## ADJUSTING RPM

1. Start engine. Allow it to warm to normal operating temperature.
2. Move throttle lever to its minimum position.
3. With engine idling, turn throttle stop screw (A) to obtain standard idle speed.

*NOTE: Standard idle speed is 1800 - 2200 RPM.*

*NOTE: Idle should be serviced every 300 hours by an authorized dealer. Operator should adjust only if mechanically proficient and using proper tools.*



# SERVICE

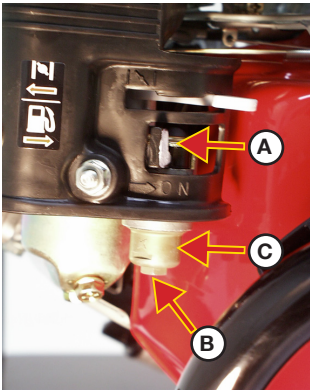
## CLEANING SEDIMENT CUP

**CAUTION:** CLEAN SEDIMENT CUP IN A WELL VENTILATED AREA, AWAY FROM SPARKS OR FLAME, INCLUDING ANY APPLIANCE WITH A PILOT LIGHT. DO NOT USE GASOLINE OR A LOW FLASH-POINT SOLVENT TO CLEAN THE FUEL VALVE. A FIRE OR EXPLOSION COULD RESULT.



*NOTE:* Clean sediment cup after every 100 hours of use.

1. Turn fuel valve (A) to left as illustrated to shut off the fuel flow.
2. Remove cap screw (B) with a 10mm wrench. Remove sediment cup (C) and o-ring.
3. Remove any sediment or other foreign matter and wash in nonflammable or high flash point solvent. Dry thoroughly.
4. Install o-ring and sediment cup with cap screw.
5. Turn fuel valve right to "ON" position and check for fuel leaks.

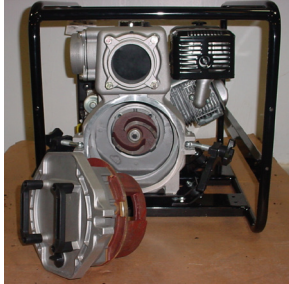


HONDA



# SOLUTIONS

Solution 1: Remove debris in impeller. (Do not remove impeller)

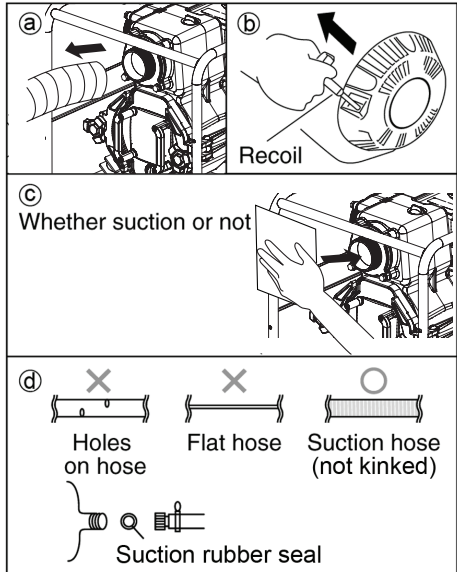


Solution 2: Check suction hose. Most cases of lack of priming or low water flow are caused by air leakage on the suction side of the pump.

Suction test:

- Remove suction hose
- Start engine with water inside the pump.
- Using a sheet of cardboard to cover the suction inlet, hold and wait 30 seconds. If you feel suction on the cardboard, the pump is working fine. Check suction hose and connections.
- Check if rubber seal is installed.

*Note: In case of water leakage between engine and pump, usually the cause is damaged mechanical seal. Please ask shop for assistance and replace mechanical seal.*



# ACCESSORIES

## 3" DISCHARGE SUCTION KIT: 70-0525

Includes:

- 20' 3" Suction hose (15-0294)
- 50' 3" Discharge hose (15-0296)
- 3" Suction strainer (19-0629)



## 4" DISCHARGE SUCTION KIT: 70-0661

Includes:

- 20' 4" Suction hose (15-0356)
- 50' 4" Discharge hose (15-0357)
- 4" Suction strainer (19-0277)

# WARRANTY

Mi-T-M warrants all parts, (except those referred to below), of your new pump to be free from defects in materials and workmanship during the following periods:

For Two (2) Years from the date of original purchase.

Defective parts not subject to normal wear and tear will be repaired or replaced at our option during the warranty period. In any event, reimbursement is limited to the purchase price paid.

## Exclusions

1. Engine/Motor are covered under separate warranty by its respective manufacturer and is subject to the terms set forth therein.
2. Normal wear parts: Mechanical Seal
3. This warranty does not cover parts damaged due to normal wear, misapplication, misuse, operation at other than recommended. Failure to follow recommended operating and maintenance procedures also voids warranty.
4. The use of other than genuine manufacturer repair parts will void warranty.
5. Parts returned, prepaid to our factory or to an Authorized Mi-T-M Service Center will be inspected and replaced free of charge if found to be defective and subject to warranty. There are no warranties which extend beyond the description of the face hereof. Under no circumstances shall the manufacturer bear any responsibility for loss of use of the unit, loss of time or rental, inconvenience, commercial loss or consequential damages.

For Service or Warranty Consideration, contact  
Mi-T-M® Corporation, 50 Mi-T-M Drive, Peosta, IA 52068  
563-556-7484 / 800-553-9053 / Fax 563-556-1235  
Monday - Friday 8:00 a.m. - 5:00 p.m. CST

# INTRODUCTION

Félicitations de l'achat de votre nouveau la pompe! Vous pouvez être assuré que votre nouveau la pompe a été construit avec le plus haut niveau de précision et de fiabilité. Chaque composant a été rigoureusement testé par des techniciens pour assurer la qualité, la durabilité et la performance de ce pompe.

Ce manuel opérateur a été dressé pour que vous en retiriez le meilleur parti. Par la lecture et l'application des mesures simples de sécurité, d'installation et d'opération, d'entretien et de dépannage décrites dans ce manuel, votre nouveau pompe. Fonctionnera sans faille pendant de nombreuses années. Le contenu de ce manuel est basé sur la dernière information disponible du produit au moment de la publication. Félicitations se réserve le droit d'effectuer des changements de prix, de couleur, de matériaux, d'équipement, de caractéristiques ou de modèles à tout moment sans communication préalable.

Une fois l'appareil déballé, écrivez immédiatement le numéro de série de votre appareil dans l'espace cidessous.

**NUMÉRO DE SÉRIE** \_\_\_\_\_

Assurez vous qu'il n'y a pas de signes de dommages évidents ou cachés suite au transport. En cas de dommage, remplissez immédiatement une réclamation avec la compagnie de transport. Assurez vous que toutes les pièces endommagées sont remplacées et les problèmes mécaniques et électriques corrigés avant l'utilisation de l'appareil. Si vous avez besoin d'assistance, entrez en contact avec votre service clientèle.

Mi-T-M® Corporation, 8650 Enterprise Drive, Peosta, IA 52068-0050  
Tél.: (563) 556-7484 / (1-800-553-9053) Fax 563-556-1235  
du lundi au vendredi de 8h00 à 17h, CST (heure centrale)

Veillez avoir les informations suivantes disponibles pour toute intervention:

1. Numéro de modèle
2. Numéro de série
3. Date et lieu d'achat

<b>⚠ WARNING/AVERTISSEMENT</b>	
<b>RISK OF BURNS: HOT SURFACES. MUFFLER AND ADJACENT AREAS MAY EXCEED 150°F.</b>	
	<b>RISQUE DE BRULURES: SURFACES CHAUDES LE TUYAU D'ÉCHAPPEMENT ET LES RÉGIONS ADJACENTES PEUVENT DÉPASSER LES 65°C.</b>
<small>34-0767-E/P-052901-ENG.</small>	

<b>⚠ AVERTISSEMENT</b>
<b>Ce produit contient un ou plusieurs produits chimiques qui sont connus par l'état de Californie comme étant la cause de cancer, de défauts de naissance et d'autres problèmes reproductifs.</b>

<b>⚠ WARNING</b>
<b>AVERTISSEMENT:</b> Ce produit contient du plomb, un produit chimique qui est connu par l'état de Californie comme étant la cause de cancer et de malformations congénitales ou autres effets nocifs de reproduction. <i>Laver vos mains après avoir manipulé ce produit.</i>

THIS SPARK IGNITION SYSTEM COMPLIES WITH CANADIAN ICES-002.  
CE SYSTÈME D'ALLUMAGE PAR ÉTINCELLE EST CONFORME À LA NORME NMB-002 DU CANADA.

# TABLE DES MATIÈRES

INTRODUCTION .....	20
SÉCURITÉ .....	22
AVERTISSEMENT DE SÉCURITÉ LORS DU RAVITAILLEMENT EN CARBURANT .....	23
INSTRUCTIONS IMPORTANTES DE SÉCURITÉ .....	24
PRE-FONCTIONNEMENT. ....	25
VÉRIFICATION DE L'HUILE À MOTEUR.....	25
HUILE À MOTEUR À ESSENCE .....	25
AVANT L'UTILISATION .....	25-26
FONCTIONNEMENT .....	27
COMMENT UTILISER.....	27
DÉMARRAGE DU MOTEUR.....	27
ARRÊT DU MOTEUR.....	28
ARRÊT DE L'APPAREIL DE LAVAGE ET DU MOTEUR .....	28
DÉMONTAGE ET NETTOYAGE .....	28
COUP DE BÉLIER .....	28
ENTREPOSAGE .....	29
DÉPANNAGE .....	30
SERVICE .....	31
SOLUTIONS .....	36
ACCESSORIES .....	37
GARANTIE .....	38

# SÉCURITÉ

## RECONNAÎTRE LES SYMBOLES DE MISE EN GARDE

Voici le symbole de mise en garde. Lorsqu'il apparaît sur l'outil ou dans la présente publication, c'est pour prévenir d'un risque potentiel de blessure.

Respecter tous les conseils de sécurité ainsi que les consignes générales de prévention des accidents.



## COMPRENDRE LES TERMES DE MISE EN GARDE

Les avertissements de sécurité "DANGER, AVERTISSEMENT ou ATTENTION" seront entourés par un "ENCADRE ALERTE SECURITE". Cet encadré est utilisé pour indiquer et souligner les avertissements de sécurité qui doivent être suivis en actionnant d'outils. En plus des avertissements de sécurité, des "mots d'alerte" sont utilisés pour indiquer le degré ou niveau de risque. Les "mots d'alerte" utilisés dans ce manuel sont comme suit:



**DANGER: INDIQUE UNE SITUATION AU DANGER IMMINENT QUI, SI ELLE N'EST PAS ÉVITÉE, ENTRAÎNERA LA MORT OU DES BLESSURES GRAVES**

**AVERTISSEMENT: INDIQUE UNE SITUATION POTENTIELLEMENT DANGEREUSE QUI, SI ELLE N'EST PAS ÉVITÉE, POURRAIT ENTRAÎNER LA MORT OU DES BLESSURES GRAVES.**

**ATTENTION: INDIQUE UNE SITUATION POTENTIELLEMENT DANGEREUSE, QUI, SI ELLE N'EST PAS ÉVITÉE, PEUT ENTRAÎNER DES BLESSURES MINEURES OU PEU GRAVES ET DES DÉGATS AU COMPRESSEUR.**

## LISEZ LES INSTRUCTIONS D'UTILISATION

Familiarisez vous toujours avec l'ensemble des instructions et avertissements avant de faire fonctionner tout outil.

**UNE UTILISATION INCORRECTE OU DANGEREUSE DE CET OUTIL MOTORISÉ PEUT ENTRAÎNER LA MORT OU DE SÉRIEUSES BLESSURES CORPORELLES! CE MODE D'EMPLOI CONTIENT D'IMPORTANTES INFORMATIONS À PROPOS DE LA SÉCURITÉ DE CE PRODUIT. PRIÈRE DE LIRE ET DE COMPRENDRE CE MODE D'EMPLOI AVANT D'UTILISER L'OUTIL MOTORISÉ.**

Garder ce mode d'emploi à la disponibilité des autres utilisateurs et propriétaires avant qu'ils utilisent l'outil motorisé. Ce mode d'emploi doit être conservé dans un endroit sûr.



# SÉCURITÉ



## IMPORTANT

### MESURES DE PRÉCAUTIONS-INCENDIE & VENTILATION

1. Cet appareil n'a été conçu que pour utilisation à l'extérieur. N'utilisez JAMAIS cet appareil dans un lieu clos. Assurez-vous toujours qu'il y a assez d'air (oxygène) pour la combustion ainsi que pour la ventilation afin d'éviter la présence de gaz dangereux d'oxyde de carbone. Méfiez-vous des secteurs mal aérés ou des ventilateurs qui peuvent causer une combustion insuffisante ou un surchauffement du moteur.
2. N'utilisez JAMAIS l'appareil en présence de vapeurs inflammables ou de poussières combustibles, de gaz ou d'autres matériaux combustibles (Une étincelle pourrait causer une explosion ou un incendie.) Pendant l'entretien de l'appareil, faites particulièrement attention à vous débarrasser correctement de tous matériaux inflammables. NE JAMAIS pulvériser de liquides inflammables.
3. RÉSERVOIR DE CARBURANT DU MOTEUR:
  - a. NE JAMAIS FUMER EN REMPLISSANT LE RÉSERVOIR DE CARBURANT DU MOTEUR.
  - b. NE JAMAIS remplir le réservoir de carburant du moteur pendant que l'appareil marche ou est chaud. Permettre au moteur de refroidir pendant deux minutes avant le réapprovisionnement en carburant.
  - c. NE PAS réapprovisionner en carburant à l'intérieur ou dans un secteur mal aéré.
  - d. Remplissez TOUJOURS le réservoir de carburant lentement pour éviter que du carburant ne soit renversé, ce qui pourrait causer un risque d'incendie.
4. NE PAS se servir de l'appareil si de l'essence est renversée. Essayez l'appareil et éloignez-le de la flaque. Evitez de créer toute sorte d'ignition jusqu'à ce que l'essence se soit évaporée.
5. NE rangez PAS l'appareil près d'une flamme ou d'un équipement tel qu'un four, un fourneau, un chauffe-eau, etc., équipé d'une lampe témoin ou de dispositifs qui peuvent créer une étincelle.

### IMPORTANT

Ce qui suit est requis par la Loi d'Etat de Californie, Section 4442 du Code de Ressources Publiques de Californie. D'autres états ont peut être des lois semblables.. Les Lois Fédérales s'appliquent sur les terres fédérales.



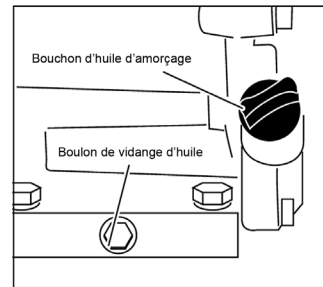
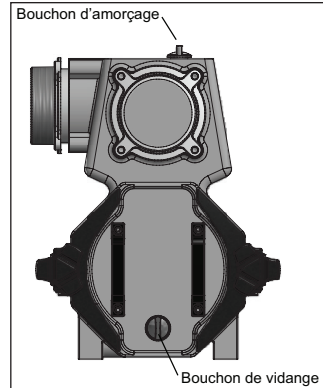
**UN ÉCLATEUR DOIT ÊTRE AJOUTÉ AU SILENCIEUX DE CET APPAREIL SI IL VA SERVIR SUR TOUTE TERRE NON AMENDÉ COUVERTE DE FORÊT, DE BROUSSAILLE OU D'HERBE. L'ÉCLATEUR DOIT ÊTRE MAINTENU EN BONNE CONDITION DE MARCHÉ PAR L'UTILISATEUR.**

Voir votre concessionnaire de moteur ou d'équipement pour vos options d'éclateur pour silencieux.

# SÉCURITÉ

## INSTRUCTIONS IMPORTANTES DE MISE EN GARDE

1. Ne pas toucher le pot d'échappement ou toute partie du moteur.
2. Se servir de cette pompe pour de l'eau propre ou de l'eau d'nuageux.
3. Se servir du bon type de tuyau aspirateur.
4. Ne pas faire fonctionner la pompe sans eau à l'intérieur de la pompe. Ceci endommagera la pompe.
5. Utiliser le tuyau aspirateur du côté aspiration. Acheter un tuyau approprié pour le diamètre de raccord et de la bonne longueur.
6. Raccorder fermement le tuyau avec le raccord et le collier de serrage lors du raccord du tuyau d'aspiration ou de refoulement à la pompe.
7. Remplacer la plaque de fabrication si elle est endommagée/détachée. Ordre de revendeur.
8. Cette pompe a été conçue pour pomper l'eau propre ou nuageuse. Le pompage de l'eau boueuse ou haute de retenue a pu avoir comme conséquence l'échec de joint mécanique.
9. Amorcage : cette pompe est auto-amorçante, toutefois elle exige toujours du corps de la pompe d'être rempli avec de l'eau. Le fonctionnement de la pompe sans remplir avec de l'eau peut avoir comme conséquence l'échec de joint mécanique.
10. Raccordements de tuyau : Si la pompe ne pompe pas l'eau en peu de temps, le raccordement de tuyau d'aspiration pourrait couler l'air. Arrêtez le moteur et vérifiez le raccordement de tuyau d'aspiration et remettez en marche le moteur.
11. Évacuez l'eau la pompe après chaque utilisation, particulièrement si la température sera à ou au-dessous de zéro. Le manque de faire ainsi peut avoir comme conséquence les dommages à la pompe.
12. Soudainement l'arrêt de la décharge de l'eau peut avoir comme conséquence le coup de bélier, qui peut casser le logement de pompe.



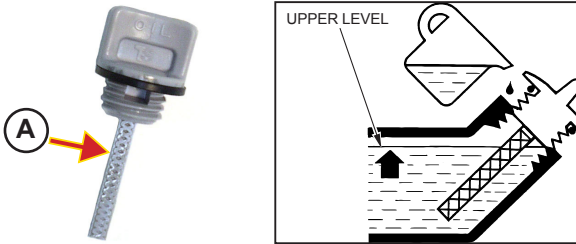


# PRE-FONCTIONNEMENT

## VÉRIFICATION DE L'HUILE À MOTEUR

*REMARQUE: Tous les appareils de lavages sont expédiés avec l'huile à moteur.  
Vérifier le niveau d'huile.*

1. Placer l'appareil de lavage sur une surface plane.
2. Retirer le bouchon de remplissage d'huile/jauge (A) et l'essuyer.
3. Remettre la jauge d'huile dans le moteur mais **NE PAS** resserrer.
4. Retirer la jauge. Le niveau d'huile devrait être au repère au milieu de la jauge (A). Ajouter de l'huile au besoin pour que le niveau d'huile arrive à la partie supérieure du filetage.
5. Installer et resserrer le bouchon de remplissage.

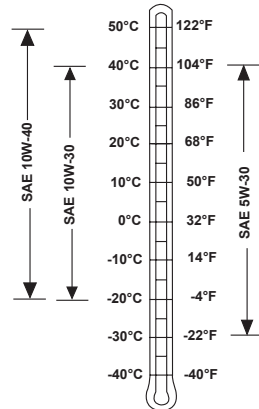


## HUILE À MOTEUR À ESSENCE

Déterminer la viscosité de l'huile d'après la gamme de température prévue durant la période entre les vidanges d'huile.

L'huile suivante est recommandée.

- Classification de service API-SH
- Classification de service API-SG
- CCMC - Spécification G4
- CCMC - Spécification G5



## AVANT L'UTILISATION

1. Engine is shipped without oil. Refer to engine manual for proper oil specifications.



**AVERTISSEMENT: FLAMMABLE! EVITER TOUT FEU OU FLAMME LORS DU RAVITAILLEMENT EN CARBURANT OU DE L'ENTRETIEN.**



**ATTENTION: FLAMMABLE! NE PAS FUMER LORS DU MÉLANGE DE CARBURANT ET NE PAS RAVITAILLER EN CARBURANT PRÈS D'UN FEU DIRECT.**

**TOUT DÉVERSEMENT DE CARBURANT DOIT ÊTRE COMPLÈTEMENT NETTOYÉ AVANT DE DÉMARRER LE MOTEUR.**

**METTRE LE MOTEUR À L'ARRÊT ET ATTENDRE QU'IL REFRROIDISSE AVANT LE RAVITAILLEMENT EN CARBURANT.**

## PRE-FONCTIONNEMENT

**NE PAS UTILISER DE CARBURANT ÂGÉ DE PLUS DE 30 JOURS. LE CARBURANT DOIT ÊTRE PROPRE ET FRAIS.**

**AVANT DE DÉMARRER LE MOTEUR, VÉRIFIER QUE L'HUILE DU MOTEUR EST BIEN REMPLIE JUSQU'AU BON NIVEAU.**

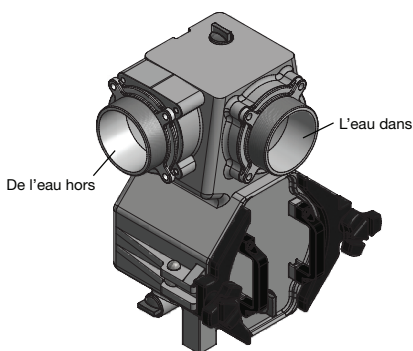
2. S'assurer que le tuyau aspirateur est raccordé correctement.

*Note : Le manque d'utiliser le tuyau non-collapsible approuvé d'aspiration et le tamis recommandé de tuyau à tout moment lors du fonctionnement de la pompe videra la garantie de la pompe et du moteur.*

3. Remplir la pompe avec de l'eau avant son utilisation.

4. Amorçage : cette pompe est auto-amorçante, toutefois elle exige toujours du corps de la pompe d'être rempli avec de l'eau. Le fonctionnement de la pompe sans remplir avec de l'eau peut avoir comme conséquence l'échec de joint mécanique.

5. Raccordements de tuyau : Si la pompe ne pompe pas l'eau en peu de temps, le raccordement de tuyau d'aspiration pourrait couler l'air. Arrêtez le moteur et vérifiez le raccordement de tuyau d'aspiration et remettez en marche le moteur.



Comme cette pompe est à amorçage automatique, il est nécessaire de complètement remplir d'eau l'orifice d'amorçage avant le fonctionnement. Une quantité d'eau insuffisante peut endommager la pompe.

**⚠ ATTENTION: LE FAIT D'UTILISER LA POMPE SANS LA REMPLIR D'EAU PEUT ENDOMMAGER LA GARNITURE MECANIQUE.**

**⚠ CETTE POMPE N'EST PAS PRÉVUE POUR L'USAGE AVEC DES PRODUITS CHIMIQUES OU DES ENGRAIS. SI UTILISÉ POUR DES APPLICATIONS POMPANT DES PRODUITS CHIMIQUES OU DES ENGRAIS, LA GARANTIE LIMITÉE DE 2 ANNÉES NE SERA PAS HONORÉE CAR LA PLUPART DES PRODUITS CHIMIQUES ET ENGRAIS CAUSERONT LA CORROSION PRÉMATURÉE ET RACCOURCIRONT LA VIE DE LA POMPE. LA POMPE DEVRAIT ÊTRE RINCÉE AVEC DE L'EAU PROPRE APRÈS POMPAGE DE TOUS LES LIQUIDES QUI PEUVENT ÊTRE CONSIDÉRÉS CAUSTIQUE OU CORROSIVE."**

# FONCTIONNEMENT

## COMMENT UTILISER

1. S'assurer que la pompe est complètement remplie d'eau.
2. S'assurer que le tamis au bout du tuyau aspirateur est dans l'eau. (S'il y a de la boue ou du sable au fond de l'eau, suspendre le tuyau pour éviter le fond).
3. S'assurer qu'il n'y a aucun obstacle du côté du tuyau de refoulement.

## DÉMARRAGE DU MOTEUR



**ATTENTION: NE PAS FAIRE FONCTIONNER LE MOTEUR À L'INTÉRIEUR. LES FUMÉES D'ÉCHAPPEMENT CONTIENNENT DE L'OXYDE DE CARBONE, UN GAZ TOXIQUE ET SANS ODEUR.**

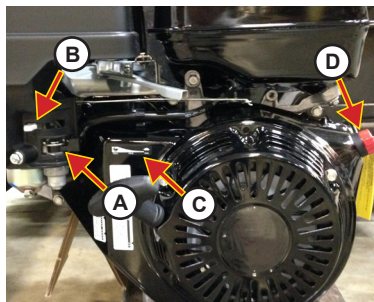


**IMPORTANT: DURANT LE DEUX PREMIÈRES HEURES D'OPÉRATION DU MOTEUR, LE MOTEUR PEUT FONCTIONNER À UN RÉGIME FAIBLE OU ERRATIQUE PENDANT LA PÉRIODE DE RODAGE DES PIÈCES MOBILES.**

1. Placer le levier d'alimentation en carburant (A) à la position «ON» (départ).
2. Déplacer le levier du volet de départ (B) à la position «CHOKE» (volet de départ).

*REMARQUE: Habituellement, il n'est pas nécessaire d'ouvrir le volet d'air autant pour un moteur chaud que pour un moteur froid.*

3. Déplacer la manette d'accélération (C) légèrement vers la gauche.
4. Déplacer le contacteur de moteur (D) à la position «ON» (départ).
5. Tirer doucement sur la corde de lancement jusqu'à ce qu'une résistance se fasse sentir et tirer ensuite rapidement jusqu'à ce que le moteur démarre.



**IMPORTANT: NE PAS LAISSER LA POIGNÉE DU DÉMARREUR RETOURNER BRUSQUEMENT AU MOTEUR. LA REMETTRE EN PLACE DOUCEMENT POUR NE PAS ENDOMMAGER LE DÉMARREUR.**

6. Déplacer la manette de contrôle du starter (B) vers la droite en position ouverte dès que le moteur est assez réchauffé pour bien tourner. Si le moteur est chaud, déplacer la manette du starter vers la droite dès que le moteur démarre.

# FONCTIONNEMENT

## ARRÊT DU MOTEUR

**!** **IMPORTANT: POUR ARRÊTER LE MOTEUR EN CAS D'URGENCE, TOURNER LA MANETTE D'ACCÉLÉRATION VERS LE BAS (D) À LA POSITION «STOP» (ARRÊT).**

1. Déplacer la manette d'accélération (C) complètement vers la droite.
2. Tourner le contacteur du moteur (D) à la position «OFF» (arrêt).
3. Déplacer le levier d'alimentation en carburant (A) vers la gauche à la position «OFF» (arrêt).

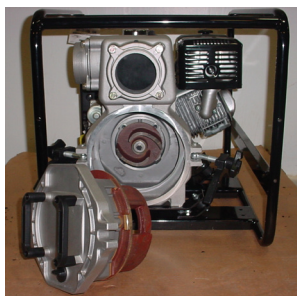
## ARRÊT DE L'APPAREIL DE LAVAGE ET DU MOTEUR

**!** **IMPORTANT: LES PROCÉDURES D'ARRÊT DEVRAIENT ÊTRE SUIVIES À LA FIN DE CHAQUE OPÉRATION DE NETTOYAGE.**

1. Faire tourner le moteur au ralenti pendant 2-3 minutes.
2. Arrêter le moteur
  - a. Déplaçant la manette d'accélération (A) complètement vers la droite.
  - b. Tourner le contacteur de moteur (B) à la position «OFF» (arrêt)
  - c. Déplacer la soupape de carburant (C) vers la gauche à la position «STOP» (ARRÊT).
3. Laisser le moteur refroidir et ensuite essuyer avec un chiffon humide.

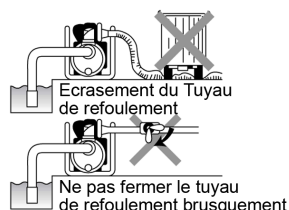
## DÉMONTAGE ET NETTOYAGE

1. Desserrer les écrous en forme de triangle et les faire pivoter en évitant le couvercle de pompe.
2. Retirer le couvercle de pompe du corps de la pompe.



## COUP DE BELIER

**!** **ATTENTION: NE LAISSER AUCUN VEHICULE ROULER SUR LE TUYAU DE REFOULEMENT. NE PAS BRUSQUEMENT FERMER LE CLAPET DE REFOULEMENT CE QUI POURRAIT OCCASIONNER UN COUP DE BELIER ET GRAVEMENT ENDOMMAGER LA POMPE.**



# FONCTIONNEMENT

## ENTREPOSAGE

1. Vider l'eau après l'utilisation.

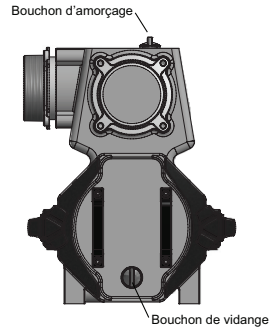


**ATTENTION: L'EAU À L'INTÉRIEUR DE LA POMPE PEUT GELER À DES TEMPÉRATURES INFÉRIEURES À 0°C EN HIVER ET PEUT ENDOMMAGER LA POMPE. APRÈS L'UTILISATION, VIDER L'EAU DU BOUCHON DE VIDANGE AVANT L'ENTREPOSAGE.**

2. Entreposage de longue durée. Tout carburant dans le réservoir ou dans le carburateur doit être complètement vidé. Le carburant inutilisé dans le réservoir (s'il est conservé pendant plus de 30 jours) peut être la cause d'une défaillance du moteur.



**ATTENTION: NE PAS FUMER CAR LE CARBURANT EST HAUTEMENT INFLAMMABLE.**



# DÉPANNAGE

<b>SYMPTÔME</b>	<b>PROBLÈME</b>	<b>SOLUTION</b>	
Le lanceur à rappel est difficile ou impossible à tirer. Débit d'eau bas ou réduit	Obstacles dans la roue à aubes	Démonter et nettoyer la roue à aubes	
	Débris coincés dans le tuyau d'aspiration	Démonter et nettoyer le tuyau	
	Fuite d'air du côté aspiration	Vérifier la tuyauterie du côté aspiration (voir solution 2)	
	Puissance fournie du moteur faible	Vérifier réparer le moteur	
	Garniture mécanique endommagée	Remplacer mécanique endommagée	
	Pas assez de volume de refoulement	Hauteur d'aspiration est élevée	Baisser la hauteur d'aspiration
		Le tuyau d'aspiration est trop long ou trop petit de diamètre	Raccourcir le tuyau d'aspiration ou agrandir le diamètre
		Fuite d'eau du tuyau ou conduit de refoulement	Vérifier et arrêter Fuite d'eau
		Usure de la roue à aubes	Démonter et nettoyer la roue à aubes (voir solution 1)
		De l'air rentre par le côté aspiration	Remplacer de roue à aubes)
La pompe n'amorce pas l'eau	Quantité d'eau d'amorçage dans le corps de la pompe insuffisante	Vérifier la tuyauterie du côté aspiration (voir solution 2)  Verser plus d'eau dans le corps de la pompe pour l'amorcer. (Consulter la partie Avant le Fonctionnement 5)	
	Le bouchon de vidange n'est pas serré	Serrer le bouchon de vidange fermement.	
	Garniture mécanique endommagée	Remplacer mécanique endommagée	
	Mauvais tuyau aspirateur est utilisé	Utiliser correctement le tuyau aspirateur.	
	Fuite d'eau entre le moteur et la pompe	Remplacer mécanique endommagée	
	Moteur ne démarre pas		Consulter le manuel du moteur.

# SERVICE

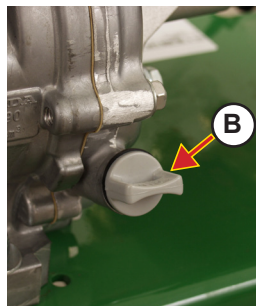
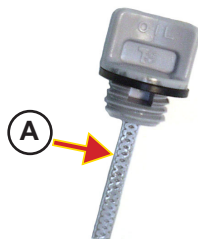
CALENDRIER	premier mois ou 20 heures	tous les 3 mois ou 50 heures	tous les 6 mois ou 100 heures	haque année ou 300 heures
Nettoyer le filtre à air		X (1)		
Changer le filtre à air				X
Vidanger l'huile à moteur	X		X	
Nettoyer et régler l'écartement des bougie			X	
Changer la bougie d'allumgae				X
Régler le jeu des soupapes			X	
Régler le jeu de soupape				X (2)
Nettoyer le réservoir de carburant.			X (2)	
Inspecter le conduit de carburant				X (2)
Nettoyer la crépine du tuyau-siphon			X	
Nettoyer la crépine d'alimentation			X	

*Note: Faire la vidange d'huile après 20 heures d'utilisation et par la suite aux intervalles recommandés. Changer l'huile toutes les 25 heures lors d'une utilisation sous de fortes charges ou sous des températures ambiantes élevées.*

- (1) *Faire l'entretien plus fréquemment lorsque la machine est utilisée dans des endroits poussiéreux.*
- (2) *L'entretien devrait être effectué par un concessionnaire agréé à moins que le propriétaire possède les outils appropriés et soit un mécanicien compétent.*

## VÉRIFICATION DE L'HUILE À MOTEUR

1. Arrêter le moteur.
2. Placer l'appareil de lavage sur une surface plane.
3. Retirer le bouchon de remplissage d'huile/jauge et l'essuyer.
4. Remettre la jauge d'huile dans le col de remplissage mais NE PAS resserrer.
5. Retirer la jauge. Le niveau d'huile devrait être au repère au milieu de la jauge (A). Ajouter de l'huile au besoin pour que le niveau d'huile arrive à la partie supérieure du filetage (B).
6. Installer et resserrer le bouchon de remplissage.



# SERVICE

## VIDANGE DE L'HUILE À MOTEUR

**IMPORTANT:** Vidanger l'huile à moteur après les 20 premières heures d'utilisation et par la suite prolonger l'intervalle entre les vidanges à 100 heures.

1. Placer l'appareil sur une surface plane.
2. Faire fonctionner le moteur pendant quelques minutes pour réchauffer l'huile.
3. Arrêter le moteur.
4. Déposer le bouchon de remplissage (C) et le bouchon de vidange (B) d'un côté du moteur et vidanger l'huile dans un récipient. Ne pas polluer, éliminer l'huile usagée correctement.
5. Installer le bouchon de vidange (C). Remplir d'huile jusqu'à la partie supérieure du filetage. Installer le bouchon de remplissage.

## HUILE À MOTEUR À ESSENCE

Déterminer la viscosité de l'huile d'après la gamme de température prévue durant la période entre les vidanges d'huile.

L'huile suivante est recommandée:

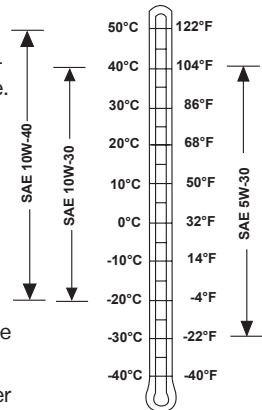
- Classification de service API-SH
- Classification de service API-SG
- CCMC Spécification G4
- CCMC Spécification G5

## ENTRETIEN DU FILTRE À AIR

1. Retirer l'écrou papillon (A) et déposer le couvercle (Honda).
2. Retirer le deuxième écrou papillon (B) pour déposer l'ensemble de filtre à air.
3. Séparer les éléments du filtre à air. Vérifier les deux éléments pour s'assurer qu'ils ne comportent aucun trou ou déchirure. Les remplacer s'ils sont endommagés.
4. Laver l'éléments en mousse (C) dans un détergent liquide et de l'eau. Rincer à fond avec de l'eau courante et laisser sécher complètement à l'air avant de réinstaller. Faire tremper l'élément dans de l'huile à moteur nouvelle et exprimer l'excédent.

**REMARQUE:** Le moteur produira de la fumée la première fois que l'appareil sera utilisé si vous laissez trop d'huile sur l'élément en mousse.

5. Enlever l'excès de poussière sur l'élément en papier (D) en donnant de petits coups sur une surface dure ou en envoyant de l'air comprimé à l'intérieur de l'élément. NE PAS brosser l'élément. Le brossage forcera la saleté dans les fibres de l'élément. Remplacer l'élément en papier après 300 heures ou s'il est très sale.
6. Installer le filtre à air en suivant les étapes de dépose dans l'ordre inverse.



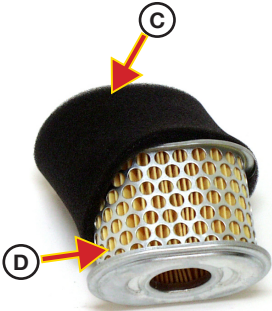


# SERVICE

## FILTRE À AIR



## FILTRE



# SERVICE

## NETTOYAGE ET ÉCARTEMENT DE LA BOUGIE D'ALLUMAGE

1. Déposer et inspecter la bougie d'allumage. Si la porcelaine est fendillé ou les électrodes sont corrodés, installer une nouvelle bougie d'allumage.



PIC99-102299R0



**IMPORTANT: NE PAS NETTOYER LA BOUGIE DANS UNE MACHINE UTILISANT UN NETTOYEUR ABRASIF.**

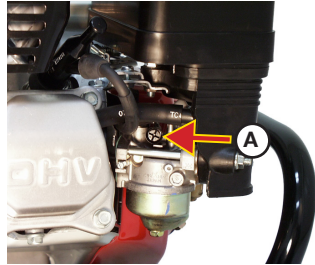
2. Si la bougie est en bonne condition, la nettoyer en grattant ou en utilisant une brosse métallique. Laver avec un solvant commercial.
3. Utiliser une jauge d'épaisseur de type à fil rond pour obtenir un écartement de 0,70-0,80 mm (0.028-0.031 po).
4. Plier seulement l'électrode extérieur lorsque vous réglez l'écartement.
5. Installer la bougie d'allumage.

Installation de la bougie usagée: Tourner 1/8-1/4 de tour après avoir placé la bougie pour comprimer l'appareil de lavage.

Installation d'une nouvelle bougie: Utiliser une bougie NGK BPR6ES

## RÉGLAGE DU RÉGIME MOTEUR

1. Faire démarrer le moteur. Le laisser réchauffer à une température normale d'opération.
2. Placer le levier d'accélérateur en position minimum.
3. Avec le moteur tournant au ralenti, tourner la vis de butée (A) de la manette d'accélération pour obtenir une marche au ralenti standard.



*REMARQUE: La marche au ralenti standard est de 1800-2200 tr/min.*

*REMARQUE: L'entretien de la marche au ralenti devrait être exécuté à toutes les 300 heures par un concessionnaire agréé. L'utilisateur devrait effectuer un réglage seulement s'il possède les outils appropriés et qu'il est un mécanicien compétent.*

# SERVICE

## NETTOYAGE DU BOL DE SÉDIMENTATION

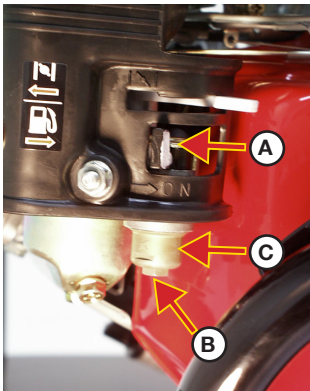


**ATTENTION:** NETTOYER LE BOL DE SÉDIMENTATION DANS UN ENDROIT BIEN AÉRÉ, LOIN DES ÉTINCELLES OU DES FLAMMES INCLUANT TOUT APPAREIL COMPORTANT UNE VEILLEUSE. NE PAS UTILISER D'ESSENCE OU UN SOLVANT À POINT D'ÉCLAIR FAIBLE POUR NETTOYER LA SOUPAPE DE CARBURANT. UN INCENDIE OU UNE EXPLOSION POURRAIT EN RÉsulTER.



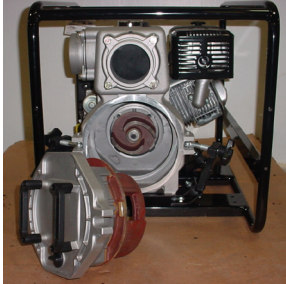
*REMARQUE: Nettoyer le bol de sédimentation après chaque 100 heures d'utilisation.*

1. Tourner la soupape de carburant (A) vers la gauche, tel qu'illustré pour arrêter le débit de carburant.
2. Enlever la vis à tête hexagonale (B) avec une clé de 10 mm et déposer le bol de sédimentation (C) et le joint torique.
3. Enlever tout sédiment ou autres corps étrangers et laver dans un solvant à point d'éclair élevé ou ininflammable. Bien sécher.
4. Installer le joint torique et le bol de sédimentation avec la vis à tête hexagonale.
5. Tourner la soupape de carburant vers la droite à la position «ON» (marche) et vérifier pour des fuites de carburant.



# SOLUTIONS

Solution 1: Retirer tout obstacle de la roue à aubes. (Ne retirer pas la roue)



Solution 2: Vérifier le tuyau d'aspiration. Une fuite d'air du côté aspiration est en général la cause d'un manque d'aspiration ou d'un refoulement faible.

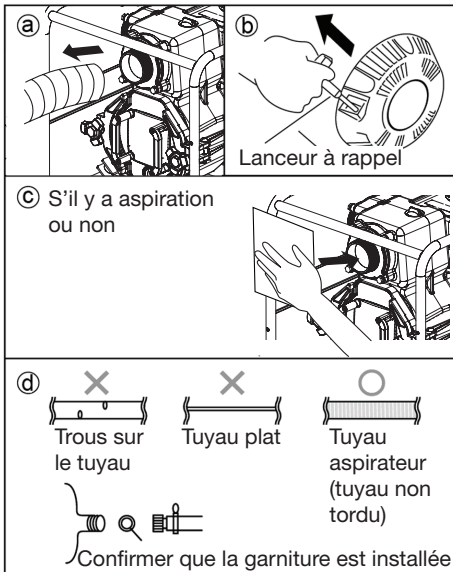
Dans tel cas:

- Retirer le tuyau aspirateur
- Démarrer le moteur avec de l'eau à l'intérieur de la pompe.
- Couvrir le trou d'aspiration, dont le tuyau a été détaché, sur le côté de la pompe en appuyant avec la carton et attendre 30 secondes. S'il y a effet de succion sur carton, la pompe marche correctement mais le tuyau n'a pas été raccordé correctement. Le rattacher correctement.
- Vérifier que le joint de caoutchouc est en place et qu'il n'y a pas de trou sur le tuyau aspirateur.

*Note: En général, une garniture mécanique endommagée est la cause d'une fuite d'eau entre le moteur et la pompe. Contacter votre service après vente pour de l'aide et remplacer la garniture mécanique.*



**ATTENTION:**  
**CONTACTER VOTRE**  
**CONCESSIONNAIRE LE**  
**PLUS PROCHE POUR LE**  
**SERVICE APRÈS VENTE.**



## ACCESSOIRES

3" ; KIT D'ASPIRATION DE DÉCHARGE : 70-0525

Inclut :

- 20' ; 3" ; Tuyau d'aspiration (15-0294)
- 50' ; 3" ; Tuyau de décharge (15-0296)
- 3" ; Tamis d'aspiration (19-0629)



4" ; KIT D'ASPIRATION DE DÉCHARGE : 70-0661

Inclut :

- 20' ; 4" ; Tuyau d'aspiration (15-0356)
- 50' ; 4" ; Tuyau de décharge (15-0357)
- 4" ; Tamis d'aspiration (19-0277)

## GARANTIE

Mi-T-M garantit toutes les pièces (à l'exception de celles stipulées ci-dessous), de votre nouveau groupe électrogène en cas de défauts de matériaux et de fabrication pendant les périodes suivantes:

Pendant deux (2) années à partir de la date d'achat initiale.

Les pièces défectueuses ne résultant pas d'une usure normale seront réparées ou remplacées à notre choix pendant la période de garantie. Quoi qu'il arrive, le remboursement est limité au prix d'achat.

### Pieces exclues de la garantie

1. Le moteur et le générateur sont garanti séparément par son fabricant et est sujet aux limites ci-inclus.
2. Cette garantie ne couvre pas les pièces endommagées par l'usure normale, une mauvaise utilisation, une utilisation abusive ou un fonctionnement autre que recommandé. La garantie ne couvre pas les dégâts provoqués par un mauvais suivi des procédures de fonctionnement et d'entretien .
3. L'utilisation de pièces de réparation autres que celles d'origine annule la garantie.
4. Les pièces renvoyées en port payé, à notre usine ou à un centre de réparation Mi-T-M agréé seront inspectées et remplacées gratuitement si elles s'avèrent être défectueuses et couvertes par la garantie. Il n'existe aucune garantie prolongeant les dates d'expiration stipulées ci-dessus. Le fabricant n'est en aucun cas responsable des pertes d'usage, de temps ou de location, des dérangements causés, des pertes commerciales ou des dommages qui en résultent.

Pour toute question de service ou de garantie, s'adresser à  
Mi-T-M Corporation, 50 MI-T-M Drive, Peosta, IA 52068-0050  
Tél.: 563-556-7484 / 800-553-9053 / Fax 563-556-1235  
Du lundi au vendredi de 8h00 à 17h00, heure centrale



# INTRODUCCIÓN

¡Felicitaciones por la compra de su nueva bomba! Puede estar seguro que de bomba fue construida con el nivel más alto de precisión y exactitud. Cada componente ha sido probado rigurosamente por técnicos para asegurar la calidad, la resistencia y el rendimiento de esta unidad.

Este manual del operador fue compilado para su beneficio. Leyendo y siguiendo los pasos simples de seguridad, instalación, operación, mantenimiento y localización de fallas descritos en este manual ayudará a prolongar aun más la operación libre de fallas que usted puede esperar de su nueva bomba. El contenido de este manual está basado en la información actualizada disponible al momento de la publicación. Fabricante se reserva el derecho de efectuar cambios en precio, color, materiales, equipo, especificaciones o modelos en cualquier momento sin previo aviso.

Escriba el número de serie de su unidad en el espacio provisto abajo, una vez que la unidad haya sido desempacada.

**NUMERO DE SERIE** \_\_\_\_\_

Inspeccione por daño el contenido de la caja. Si algo parece dañado, NO LA DEVUELVA AL LUGAR DE COMPRA. Llame a su representante de servicio al cliente.

Mi-T-M® Corporation, 50 Mi-T-M Drive, Peosta, IA 52068  
Tél.: (563) 556-7484 / (1-800-553-9053) Fax 563-556-1235  
Lunes - Viernes 8:00 a.m. - 5:00 p.m. CST

Por favor tenga disponible la información siguiente para todas las llamadas de servicio:

1. Número de modelo
2. Número de serie
3. Fecha y lugar de compra

<b>⚠ WARNING/ADVERTENCIA</b>	
<b>RISK OF BURNS</b> Muffler and adjacent areas may exceed 150°F. 34-0598/07262012	 <b>RIESGO DE QUEMAR</b> El amortiguador y las áreas adyacentes pueden Tener temperaturas por arriba de 65°C.

<b>⚠ WARNING</b>
<b>ADVERTENCIA:</b> Este producto tiene plomo, una sustancia química conocida al Estado de California a causar cáncer y defectos de nacimiento u otro daño reproductivo. <i>Lávese las manos despues de usar este producto.</i>

<b>⚠ ADVERTENCIA</b>
Este producto contiene química conocido por el estado de California a causar cancer, defectos de nacimiento, y otros peligros reproductor.

THIS SPARK IGNITION SYSTEM COMPLIES WITH CANADIAN ICES-002.  
CE SYSTÈME D'ALLUMAGE PAR ÉTINCELLE EST CONFORME À LA NORME NMB-002 DU CANADA.



# INDICE DE MATERIAS

INTRODUCCIÓN .....	40
INDICE DE MATERIAS .....	41
SEGURIDAD .....	42
PRE-OPERACIÓN .....	45
OPERACIÓN .....	47
FALLAS .....	49
SERVICIO.....	50
SOLUTIONS .....	55
ACCESORIOS .....	56
GARANTÍA .....	57

# SEGURIDAD

## RECONOZCA INFORMACIÓN DE SEGURIDAD

Este es el símbolo de alerta de seguridad. Cuando mire este símbolo en la máquina o manual, sea alerta de posibilidad o potencia de graves personales.

Siga precauciones recomendables y prácticas de operación.



## UNDERSTAND SIGNAL WORDS

Estos párrafos están rodeados por una “CASILLA DE ALERTA DE SEGURIDAD”. Esta casilla se usa para designar y enfatizar las Advertencias de Seguridad que deben seguirse al operar esta bomba.

Acompañando a las Advertencias de Seguridad están las “palabras de alerta” que designan el grado o nivel de seriedad de riesgo. Las “palabras de alerta” usadas en este manual son las siguientes:

**PELIGRO:** Indica una situación inminente riesgosa la cual, si no se evita, RESULTARA en la muerte o en lesiones graves.

**ADVERTENCIA:** Indica una situación potencialmente riesgosa la cual, si no se evita, PODRIA resultar en la muerte o en lesiones graves.

**PRECAUCION:** Indica una situación potencialmente riesgosa la cual, si no se evita PUEDE resultar en lesiones menores o moderadas.



## LEA LAS INSTRUCCIONES DE FUNCIONAMIENTO

Lea y observe todas las instrucciones de manejo, funcionamiento, mantenimiento y seguridad incluidas en este manual.

**USO INAPROPIADO O PELIGROSO DE ESTA BOMBA PUEDE CAUSAR LA MUERTE OR LESIONES GRAVES. ESTE MANUAL CONTIENE INFORMACION IMPORTANTE SOBRE SEGURIDAD DE PRODUCTO. POR FAVOR LEA Y ENTIENDA ESTE MANUAL ANTES DE UTILIZAR LA BOMBA DE SEMI-BASURA.**

Mantenga este manual disponible para otros usuarios y propietarios antes de utilizar la bomba. Mantenga este manual en un lugar seguro.



# SEGURIDAD



## IMPORTANT

### PRECAUCIONES CONTRA INCENDIO Y DE VENTILACION:

1. Esta unidad fue diseñada para uso al aire libre solamente. NUNCA opere esta unidad en un área cerrada. SIEMPRE asegúrese que haya aire (oxígeno) adecuado para la combustión así también como ventilación adecuada para evitar la presencia de gases venenosos de monóxido de carbono. Esté alerta en áreas mal ventiladas o con ventiladores aspiradores que pueden causar una combustión inadecuada o sobrecalentamiento del motor.
2. NUNCA opere esta unidad en la presencia de vapores inflamables o polvo, gases combustibles u otros materiales combustibles. (Una chispa puede causar una explosión o incendio.) Tenga cuidado de descartar apropiadamente los materiales inflamables. NO rocíe líquidos inflamables.
3. TANQUE DE COMBUSTIBLE DEL MOTOR
  - a. NO FUME MIENTRAS LLENA EL TANQUE DE COMBUSTIBLE DEL MOTOR
  - b. NUNCA llene el tanque de gasolina mientras el motor está funcionando o está caliente. Permita que el motor se enfríe durante dos minutos antes de cargar combustible.
  - c. NO cargue gasolina en un ambiente cerrado o en un área mal ventilada.
  - d. SIEMPRE cargue combustible lentamente para evitar la posibilidad de combustible derramado que puede ocasionar un riesgo de incendio.
4. NO opere la unidad si hay combustible derramado. Limpie la unidad y aléjela del área del derrame. Evite crear cualquier encendido hasta que se haya evaporado la gasolina.
5. NO almacene la unidad cerca de una llama abierta ni de ningún equipo tal como cocina, horno, calentador de agua, etc., que utilice una llama piloto o mecanismos que puedan crear una chispa.

### IMPORTANTE

Lo siguiente es requerido por la ley del estado de California, sección 4442 del Código de Recursos Públicos de California. Otros estados pueden tener leyes similares. Las leyes federales se aplican en las tierras federales.



**ADVERTENCIA: PARA REDUCIR EL RIESGO DE HERIDO, LEA ESTE MANUAL DE UTILIZAR COMPLETAMENTE ANTES DE UTILIZARLO. MIENTRAS UTILIZANDO ESTE PRODUCTO, SIEMPRE SIGA LOS SIGUIENTES PRECAUCIONES BÁSICAS:**

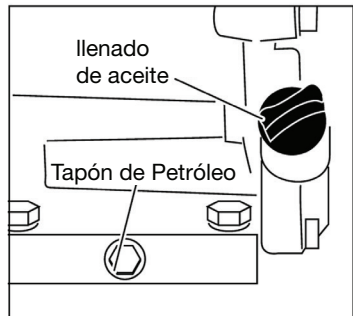
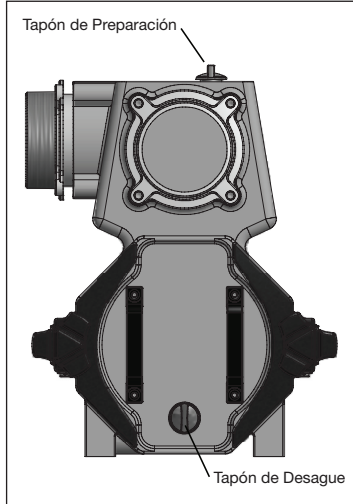
Para opciones del supresor de chispas del silenciador consulte con su distribuidor de motores o equipo.

### INSTRUCCIONES IMPORTANTES DE CUIDADO

1. No toque moefle ni ninguna parte del motor.
2. Utilice esta bomba para agua limpia o turbia.
3. El uso corrige tipo de manga de succión.

# SEGURIDAD

- No corra la bomba sin agua dentro de la bomba. Este causará daño a la bomba.
- Utilice manga de succión para el lado de succión. Compre manga apropiado para quedar a la conexión y la longitud apropiado.
- Conecte manga firmemente con par y banda de manga cuando conecta la manga de succión o entrega a la bomba.
- Reemplace plato de nombre si dañado o pelado, ordene por favor de distribuidor autorizado.
- Esta bomba fue diseñada para bombear el agua limpia o nublada. El bombeo del agua fangosa o alta de la contención podía dar lugar a falta del sello mecánico.
- Oscurecimiento: esta bomba es autocebante, no obstante todavía requiere el cuerpo de bomba ser llenada de agua. Funcionar con la bomba sin el relleno de agua puede dar lugar a falta del sello mecánico.
- Conexiones de la manguera: Si la bomba no puede bombear el agua en un breve periodo de tiempo, la conexión de la manguera de la succión podría escaparse el aire. Pare el motor y compruebe la conexión de la manguera de la succión y recomience el motor.
- Salga el agua de la bomba después de cada uso, especialmente si la temperatura está en o bajo cero. La falta de hacer tan puede dar lugar a daño a la bomba.
- Repentinamente la detención de la descarga del agua puede dar lugar al martillo de agua, que puede romper la cubierta de la bomba.

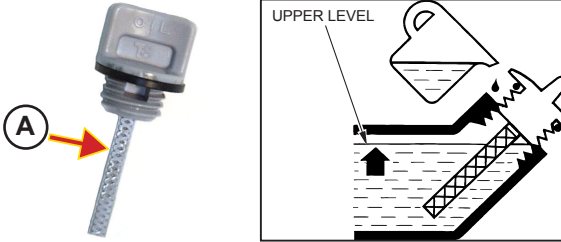


# PRE-OPERACIÓN

## COMPRUEBE EL PETROLEO DEL MOTOR

*NOTA: Todas las unidades se envían sin el petróleo de motor. Refiera a manual de motor para llenar.*

1. Ponga la unidad en una superficie nivelada.
2. Quite el tapón de llenado de petróleo/la varilla (A) y límpiela.
3. Inserte el tapón de llenado/la varilla en el cuello de llenar petróleo pero no lo atornille.
4. Quite la varilla. El nivel apropiado de petróleo está al medio de la varilla (A). Añada petróleo si es necesario a traer el nivel de petróleo a la cima de los trapos
5. Instale y aprieta el tapón.

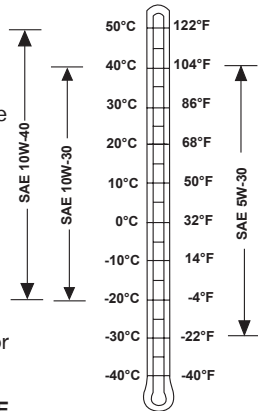


## GASOLINA PETROLEO DE MOTOR

Utilice la viscosidad de petróleo basado del rango esperado de temperatura de aire durante el período entre los cambios de petróleo.

Otros petróleos se puede utilizar si cumplen uno o mas de los siguientes:

- Clasificación de Servicio API SH
- Clasificación de Servicio API SG
- Especificación CCMC G4
- Especificación CCMC G5



## ANTES DE UTILIZA

1. El motor se envía sin aceite. Refiera al manual del motor para las especificaciones apropiadas del aceite.



**¡ADVERTENCIA- SUSTANCIA FLAMABLE! EVITE FUEGO CUANDO PONE COMBUSTIBLE O MANTENIMIENTO.**



**¡ADVIERTA SUSTANCIA FLAMABLE! NO FUME AL MEZCLAR COMBUSTIBLE Y PONER COMBUSTIBLE A ABRE CERCA FUEGO.**

**CUALQUIER DERRAME DE COMBUSTIBLE DEBE SER LIMPIADO COMPLETAMENTE ANTES DE COMENZAR EL MOTOR.**

**PARE EL MOTOR Y ESPERA HASTA QUE EL MOTOR SEA FRESCO ANTES DE PONER COMBUSTIBLE.**

## PRE-OPERACIÓN

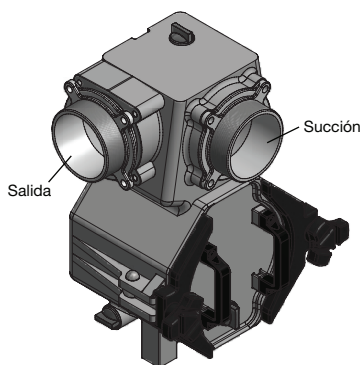
**NO UTILICE COMBUSTIBLE MAS VIEJO QUE 30 DIAS. EL COMBUSTIBLE DEBE SER LIMPIO Y FRESCO. ABASTEZCA DE COMBUSTIBLE ALREDEDOR DEL FONDO DE BATERIA CONTIENE TIERRA, Y RIEGA, COMBUSTIBLE NO USADO EN TANQUE (SI MANTENIDO MINERAL QUE 30 DIAS) PUEDE CAUSAR UN FRACASO DE MOTOR.**

**ANTES DE COMIENZA EL MOTOR, VERIFICA POR FAVOR QUE PETROLEO DE MOTOR ESTA LLENADO AL NIVEL QUE ES REQUERIDO.**

2. Asegúrese que la manga de succión es conectada correctamente.

*NOTA: La falta de utilizar la manguera de succión no plegable y el colador de manguera recomendado en todo momento durante el funcionamiento de la bomba se anulará la garantía de la bomba y el motor.*

3. Llène la bomba con agua antes del uso.
4. Oscurecimiento: esta bomba es autocebante, no obstante todavía requiere el cuerpo de bomba ser llenada de agua. Funcionar con la bomba sin el relleno de agua puede dar lugar a falta del sello mecánico.
5. Conexiones de la manguera: Si la bomba no puede bombear el agua en un breve periodo de tiempo, la conexión de la manguera de la succión podría escaparse el aire. Pare el motor y compruebe la conexión de la manguera de la succión y recomience el motor.



Con el modelo de ser-preparando, llene agua completamente de puerto de preparación en la bomba antes de utilizar. El agua insuficiente puede causar daño a la bomba.

**⚠ EL CUIDADO: UTILIZANDO SIN LLENAR AGUA PUEDE DAÑAR EL SELLO MECANICO.**

**⚠ ESTA BOMBA NO SE PIENSA PARA EL USO CON LOS PRODUCTOS QUÍMICOS O LOS FERTILIZANTES. SI ESTÁ UTILIZADA PARA LOS USOS QUE BOMBAN LOS PRODUCTOS QUÍMICOS O LOS FERTILIZANTES, LA GARANTÍA LIMITADA DE 2 AÑOS NO SERÁ HONRADA PUES LA MAYORÍA DE LOS PRODUCTOS QUÍMICOS Y DE LOS FERTILIZANTES CAUSARÁN LA CORROSIÓN PREMATURA Y ACORTARÁN LA VIDA DE LA BOMBA. LA BOMBA SE DEBE LIMPIAR CON UN CHORRO DE AGUA CON EL AGUA POTABLE DESPUÉS DE BOMBEAR CUALESQUIERA LÍQUIDOS QUE SE PUEDAN CONSIDERAR CÁUSTICO O CORROSIVE.**

# OPERACIÓN

## COMO UTILIZAR

1. Asegure que bomba sea llenada completamente de agua.
2. Asegure que colador en fin de la manga de succión esté en el agua. (Si cualquier barro o la arena están en el fondo de agua, suspendan la manga para evitar el fondo)
3. Asegure que ningún obstáculo esté en el lado de entrega de la manga.

## PARA ARRANCAR Y UTILIZAR EL MOTOR

**⚠ PRECAUCION: NO UTILICE EL MOTOR EN UNA ZONA CERRADA. GASES DE ESCAPE CONTIENEN MONÓXIDO DE CARBONO, UN GAS INODORO Y VENENOSO QUE PUEDE CAUSAR ENFERMEDAD O LA MUERTE.**

**⚠ IMPORTANTE: DURANTE LOS PRIMEROS DOS HORAS DE FUNCIONAMIENTO DEL MOTOR, EL MOTOR PUEDE FUNCIONAR A BAJA O ERRÁTICA RPM MIENTRAS LAS PIEZAS MÓVILES DEL MOTOR SE METEN.**

1. Coloque la palanca de la válvula de combustible (A) derecha a la posición ON.
2. Tire la palanca de control del estándar (B) a la posición "CHOKE."

*NOTA: Un motor calentado necesita menos uso del estándar que un motor frío.*

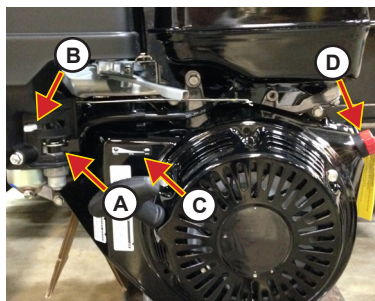
3. Mueva la palanca de acelerador (C) a la posición rápida o alta.

*NOTA: Para el mejor rendimiento del motor, se recomienda que el motor sea utilizado con el acelerador en la posición ALTA o RAPIDA.*

4. Gire el interruptor de motor (D) a la posición ON.
5. Tire la empuñadora de arrancador de retroceso ligeramente hasta que sienta resistencia, y entonces tire con fuerza hasta que arranque el motor.

**⚠ IMPORTANTE: NO PERMITA QUE EL MANGO DE ARRANCADOR RETROCEDA BRUSCAMENTE CONTRA EL MOTOR. VUELVA SUAVEMENTE PARA EVITAR DAÑOS AL ARRANCADOR.**

6. Empuje "CHOKE" palanca de mando (B) en cuanto el motor se calienta lo suficiente para funcionar sin problemas. Si el motor esta calentada, empuje la palanca choke en cuanto arranca el motor.



# OPERACIÓN

## PARAR EL MOTOR



**IMPORTANTE: A PARAR EL MOTOR EN UNA EMERGENCIA, GIRE EL ACELERADOR (D) HACIA ABAJO HASTA A POSICIÓN "STOP."**

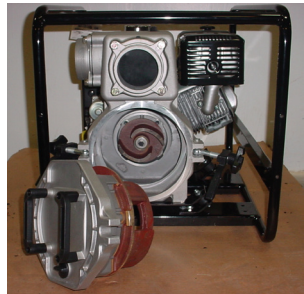
1. Mueva la palanca de acelerador (C) totalmente a la derecha.
2. Gire el interruptor de motor (D) a la posición OFF.
3. Mueva la válvula de combustible (A) a la posición OFF.

## APAGAR



**IMPORTANTE: DEBE SEGUIR LOS PROCEDIMIENTOS DE APAGAR AL FIN DE CADA OPERACION DE LIMPIAR.**

1. Haga funcionar el motor al ralentí por 2-3 minutos. (Refiere a las fotos en la página anterior)
2. Apague el motor por:
  - a. Moviendo la palanca de acelerador (A) totalmente a la derecha.
  - b. Girando el interruptor de motor (B) a la posición OFF.
  - c. Moviendo la válvula de combustible (C) a la posición OFF.
3. Permite que el motor se caliente, y entonces límpiolo con un paño húmedo.



## DESASEMBELANDO Y LIMPIANDO

1. Afloje las tuercas de triángulo, columpiense libre las placas de presión.
2. Jale la cubierta de la bomba y volu te hacia sí mismo del cuerpo de la bomba.



## MARTILLANDO DE AGUA



**EL CUIDADO: NO PERMITA NINGUN VEHICULO PARA PASAR POR LA MANGA DE ENTREGA. NO CIERRE LA VALVULA DE ENTREGA RAPIDAMENTE PORQUE MARTILLO-AGUA PUEDE OCURRIR. ESTE PUEDE RESULTAR EN MUCHO DANO A LA BOMBA.**

## ALMACENAMIENTO

1. Desagüe agua después de cada uso.

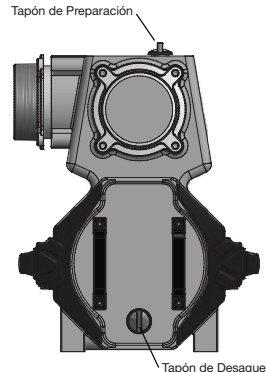


**EL CUIDADO: AGUA PUEDE CONGELAR ADENTRO EN O DEBAJO DE 0°C EN AGUA Y PUEDE DAÑAR BOMBA. DESPUES DE QUE CADA USO, DESAGUE AGUA DEL TAPON DE DESAGUADERO ANTES DE ALMACENAR.**

2. El almacenamiento por un tiempo largo. Descargue combustible en el depósito y el carburador completamente. El combustible no usado en el tanque (si mantenido más de 30 días) puede causar avería del motor.



**EL CUIDADO: ¡NO FUME! EL COMBUSTIBLE ES MUY INFLAMABLE.**





# FALLAS

SINTOMA	SINTOMA	SOLUCION
No puede tirar o es difícil para tirar la reculada de arranque.	Hay obstáculos en el impeller	Desmante y limpie el impeller
Flujo de agua bajo o reducido.	Escombros atrapados en la manguera de succión	Desmantele y limpie la manguera
	La filtración de aire del lado de succión	Verifique la tubería en el lado de succión
	El poder de salida es abajo del motor	Revisa y repara el motor
	Hay daño al sello mecánico	Reemplace el sello mecánico
	El ascensor de la succión es alto	Haga el ascensor de succión más bajo
	El tubo de la succión es demasiado largo o es más pequeño de diámetro	Acorte el tubo de succión o diámetro de marca más grande
	La filtración de agua de la manga de entrega o del tubo	Revisa y para alga filtración de agua
Bomba no prepare el agua.	Desgastando del impeller	Reemplace el impeller (Reparación)
	El aire entra del lado de succión	Revise la tubería en lado de manga de succión
	La preparación insuficiente de agua dentro de la cubierta de bomba	Agregue más agua en la cubierta para la bomba para preparar.
	El tapón del desagadero no es apretado	Apriete tapón de desagadero firmemente.
	El daño de sello de mechancial	Reemplace sello mecánico
	El uso de manga inexacta de succión	Utilice manga de succión correctamente
	Fuga de agua entre el motor y la bomba	Sello mecánico dañado. Reemplace. Contacte su distribuidor de Mi-T-M.
Motor no arranca		Refiere al manual de motor. Contacte su distribuidor de Mi-T-M

# SERVICIO

	Primer Mes o 20 horas	Cada 3 Meses o 50 horas	Cada 6 Meses o 100 horas	Cada Año o 300
Limpie el Filtro de Aire		X (1)		
Cambie el Filtro de Aire				X
Cambie el Petroleo de Motor	X		X	
Clean and Gap Spark Plug			X	
Cambie la Bujía				X
Cambie el Carburador			X	
Ajuste el Juego de Válvulas				X (2)
Limpie el Tanque de Combustible y el Filtro			X (2)	
Compruebe el Tubo de Combustibl				X (2)
Limpie el Filtro de Detergente	X			
Limpie el Filtro de la Entrada de Agua	X			

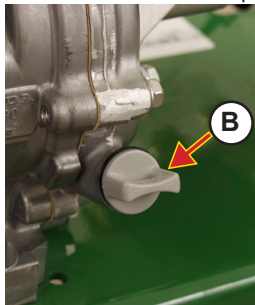
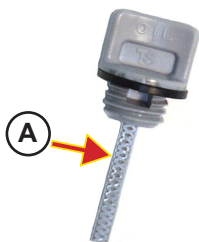
*Nota: Haga el cambio de petroleo despues de los primeros 20 horas de uso y después a intervalos recomendados. Cambie el petroleo de motor cada 25 horas cuando utilizado bajo carga pesada o temperaturas de altas ambientes.*

- (1) *Haga servicio con mas frecuencia cuando se utiliza en zonas polvorientas.*  
 (2) *Debe ser reparado por un distribuidor autorizado a menos que el propietario tenga las herramientas apropiadas y es mecánicamente competente.*

## COMPRUEBE EL PETROLEO DEL MOTOR

**NOTA: Todas las bombas se envían sin petroleo de motor.**

1. Apague el motor.
2. Ponga la unidad en una superficie nivelada.
3. Quite el tapón de llenado de petroleo/la varilla (B) y límpielo.
4. Inserte el tapón de llenado/la varilla en el cuello de llenar petroleo pero no lo atornille.
5. Quite la varilla. El nivel apropiado de petroleo está al medio de la varilla (A). Añada petroleo si es necesario a traer el nivel de petroleo a la cima de los trapos.
6. Instale y aprieta el tapón.



# SERVICIO

## CAMBIAR EL PETROLEO DE MOTOR

**IMPORTANTE:** Cambie el petroleo después de las primeras 20 horas de uso y cada 100 horas después.

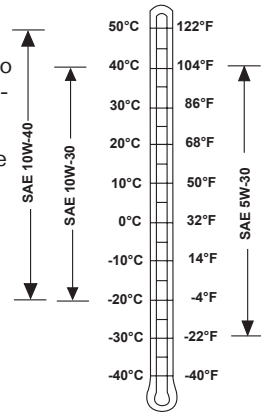
1. Ponga la unidad en una superficie plana.
2. Deje que el motor funciona por unos minutos para calendar el petroleo.
3. Apague el motor.
4. Quite el tapón de llenado de petroleo y el tapón de vaciado y drene el petroleo en un recipiente. No contamine. Disponga de petroleo extra en una manera apropiada.
5. Instale el tapón de vaciado. Llene con petroleo al principio de los trapos. Instale la tapa.

## GASOLINA PETROLEO DE MOTOR

Utilice la viscosidad de petroleo basado del rango esperado de temperatura de aire durante el período entre los cambios de petroleo.

Otros petróleos se puede utilizar si cumplen uno o mas de los siguientes:

- Clasificación de Servicio API SH
- Clasificación de Servicio API SG
- Especificación CCMC G4
- Especificación CCMC G5



## LIMPIAR EL ELEMENTO DE FILTRO DE AIRE

1. Quite la tuerca (A) y quite la cubierta de limpiador de aire (Honda). Empuje la parte inferior de las pestañas (A) hacia el interior y a través de los titulares de la ficha para quitar la cubierta de limpiador (Subaru). Quite dos tornillos (A) y entonces quite la tapa del filtro de aire (Mi-T-M).
2. Quite la segunda tuerca (B) para quitar la asamblea del limpiador de aire (Honda/Subaru). No eliminación adicional de hardware para la unidad de Mi-T-M.
3. Separe los elementos del limpiador de aire. Compruebe ambos elementos para agujeros o rasgones. Reemplace si dañado.
4. Lave el elemento de espuma (C) en una solución de detergente doméstico y agua tibia. Enjuague bien y deje secar bien. Sumerja el elemento en petroleo de motor limpio. Exprima el exceso de petroleo.

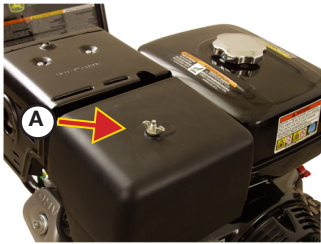
**NOTA:** Se ve humo del motor durante el arranque inicial si demasiado petroleo se deja en la espuma.

5. Quite el exceso de suciedad del elemento de papel (D) por golpear ligeramente en una superficie dura, o por soplar aire comprimido del interior del elemento. NO cepille la suciedad. Cepillando forzará la suciedad en las fibras del elemento. Reemplace el elemento de papel después de 300 horas, o si excesivamente sucio.
6. Instale el limpiador de aire en el órden inverso como quitado.

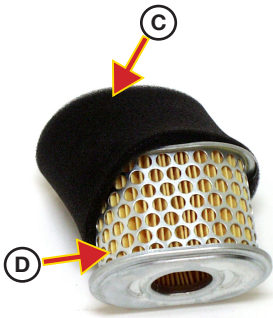
*Refiere a las fotos en la página siguiente*

# SERVICIO

HONDA



FILTRO



HONDA

# SERVICIO

## LIMPIANDO Y DANDO ESPACIO A LA BUJÍA

1. Quite y inspeccione la bujía. Si la porcelana está agrietada o electrodos están picados de viruelas, instale una bujía nueva (Mire paso 5).



PIC99-102299R0



**IMPORTANTE: NO LIMPIE LA BUJÍA EN UNA MÁQUINA UTILIZANDO ABRASIVOS.**

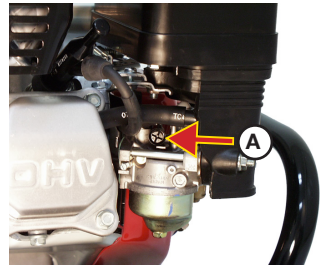
2. Si la bujía está en buena condición, limpie la bujía por raspando o usando un cepillo de alambre. Lave con un disolvente comercial.
3. Utilice un medidor de tipo-alambre de espesores ronda para comprobar si hay una diferencia de 0,70 a 0,80 mm (0,028 a 0,031 pulgadas)
4. Con cuidado, doble el electrodo exterior para ajustar brecha.
5. Instale la bujía.

Reinstalación de bujía usada: Apriete 1/8-1/4 de vuelta después de los asientos de las bujías para comprimir la arandela.

Instalación de bujía nueva: Utilice NGK BPR6ES

## AJUSTAR EL RPM

1. Arranque el motor. Deje que caliente a una temperatura de operar normal.
2. Mueva la palanca de acelerador a su posición mínimo.
3. Con el motor al ralentí, gire el tornillo de tope de acelerador (A) para obtener la velocidad de ralentí estander.



*NOTA: La velocidad de ralentí estander es 1250-1550 RPM.*

*NOTA: El ralentí debe ser realizado cada 300 horas por un distribuidor autorizado. El operador sólo debe ajustar si es mecánicamente proficiente y si tiene las herramientas apropiadas.*

# SERVICIO

## LIMPIAR LA COPA DE SEDIMENTO

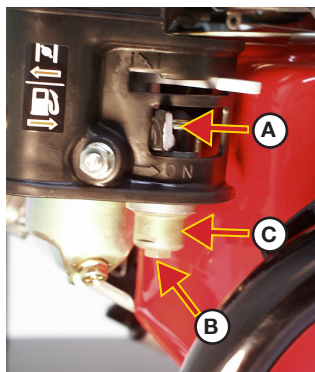


**PRECAUCION: LIMPIE LA COPA DE SEDIMENTOS EN UNA AREA BIEN VENTILADA, LEJOS DE CHISPAS O LLAMAS, INCLUYENDO CUALQUIER APARATO CON UNA LUZ PILOTO. NO USE GASOLINA O UN SOLVENTE DE PUNTO DE INFLAMACIÓN BAJO A LIMPIAR LA VÁLVULA DE COMBUSTIBLE. PUEDE CAUSAR UN INCENDIO O UNA EXPLOSIÓN.**



*NOTA: Limpie la copa de sedimentos después de cada 100 horas de uso.*

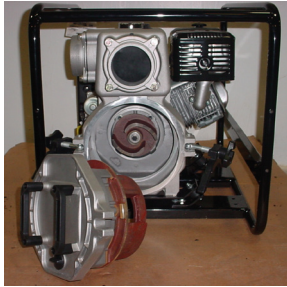
1. Gire la válvula de combustible (A) a la izquierda como ilustrado para detener el flujo de combustible.
2. Quite el tornillo (B) con una llave de 10mm. Quite la copa de sedimentos (C) y el anillo-o.
3. Quite sedimento o otra material extraña y lave en un solvente no inflamable o con un punto de inflamación alta.
4. Instale el anillo-o y la capa de sedimentos con un tornillo
5. Gire la válvula de combustible a la derecha a la posición ON y compruebe para fugas de combustible



HONDA

# SOLUTIONS

La solución 1: Quite el obstáculo en el impeller. (No quite el impeller)

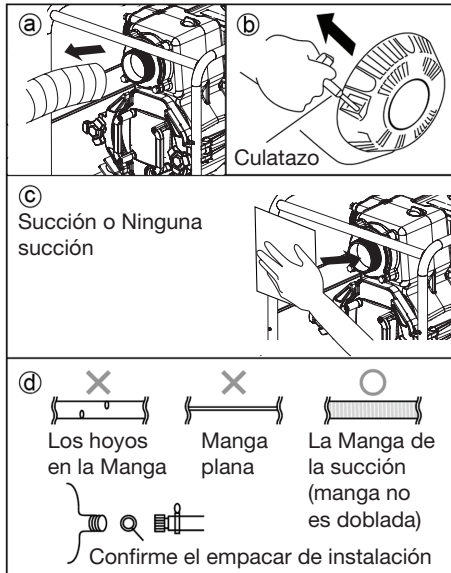


La solución 2: Verifique el tubo de succión. En el caso que no succión ni entrega pequeña, la causa es generalmente la filtración en lado de succión.

En este caso:

- Quite la manga de succión
- Comience el motor con agua dentro de la bomba.
- Apriete la cartulina para cubrir el asidero de succión y espera por 30 segundos. Si usted se siente succión en la cartulina, la bomba trabaja. Pero la conexión de manga necesita corrección.
- Por favor revisa el empaçar de caucho es instalado y si hay cualquier asidero en la manga de succión.

*Nota: En el caso que hay filtración de agua entre el motor y la bomba, generalmente la causa es un sello mecánico que es dañado. Pregunte la tienda de servicio para ayuda y reemplace el sello mecánico.*



## ACCESORIOS

### 3" KIT DE LA SUCCIÓN DE LA DESCARGA: 70-0525

Incluye:

- 20' 3" Manguera de la succión (15-0294)
- 50' 3" Manguera de la descarga (15-0296)
- 3" Tamiz de la succión (19-0629)



### 4" KIT DE LA SUCCIÓN DE LA DESCARGA: 70-0661

Incluye:

- 20' 4" Manguera de la succión (15-0356)
- 50' 4" Manguera de la descarga (15-0357)
- 4" Tamiz de la succión (19-0277)





# GARANTÍA

Mi-T-M garantiza que todas las piezas (excepto aquellas a las que se hace referencia abajo), de su nueva bomba libres de defectos en materiales y mano de obra durante los periodos siguientes:

For dos (2) año a partir de la fecha original de compra.

Las piezas defectuosas que no están sujetas a deterioro causado por el uso serán reparadas o reemplazadas a nuestra opción durante el periodo de garantía. En todo caso, el reembolso está limitado al precio de compra pagado.

## EXCLUSIONES

1. Motor está cubierto por una garantía separada por su fabricante respectivo y siga estos terminos establecidos.
2. Partes de desgaste normal: Sello Mecánico
3. Esta garantía no cubre las piezas dañadas debido al deterioro normal causado por el uso, mala aplicación, mal uso, operación a velocidades, presiones o temperaturas diferentes a las recomendadas. Las piezas dañadas o gastadas a causa del uso de líquidos cáusticos o por la operación en medios ambientes abrasivos o corrosivos o bajo condiciones que causan cavitación de la bomba no están garantizadas. La falla en seguir los procedimientos recomendados de operación y mantenimiento también cancela la garantía.
4. El uso de piezas de repuesto diferentes a las genuinas Mi-T-M cancelará la garantía.
5. El uso de piezas de repuesto diferentes a las genuinas Mi-T-M cancelará la garantía. Las piezas devueltas, con franqueo pagado a un Centro de Servicio Autorizado Mi-T-M serán inspeccionadas y reemplazadas, libre de cargos, si se determina que están defectuosas y sujetas a la garantía. No existen garantías que se extiendan más allá de la descripción contenida aquí. Bajo ninguna circunstancia Mi-T-M será responsable por la pérdida de uso de la unidad, pérdida de tiempo, inconvenientes, pérdida comercial o daños consecuentes.

Para Servicio O Consideracion De La Garantia Consulte Con:  
Mi-T-M® Corporation/50 Mi-T-M Drive, Box 50/Peosta, Ia 52068  
Telefono: 563-556-7484/  
Telephone Gratis En Los Ee. Uu.: 1-877-Jd-Kleen (877-535-5336)  
Fax 563-556-1235 Lunes - Viernes 8:00 A.m. - 5:00 P.m. Cst

# NOTAS

# NOTAS

Manufactured by Mi-T-M  
50 Mi-T-M Drive, Peosta IA 52068  
563-556-7484/ Fax 563-556-1235