

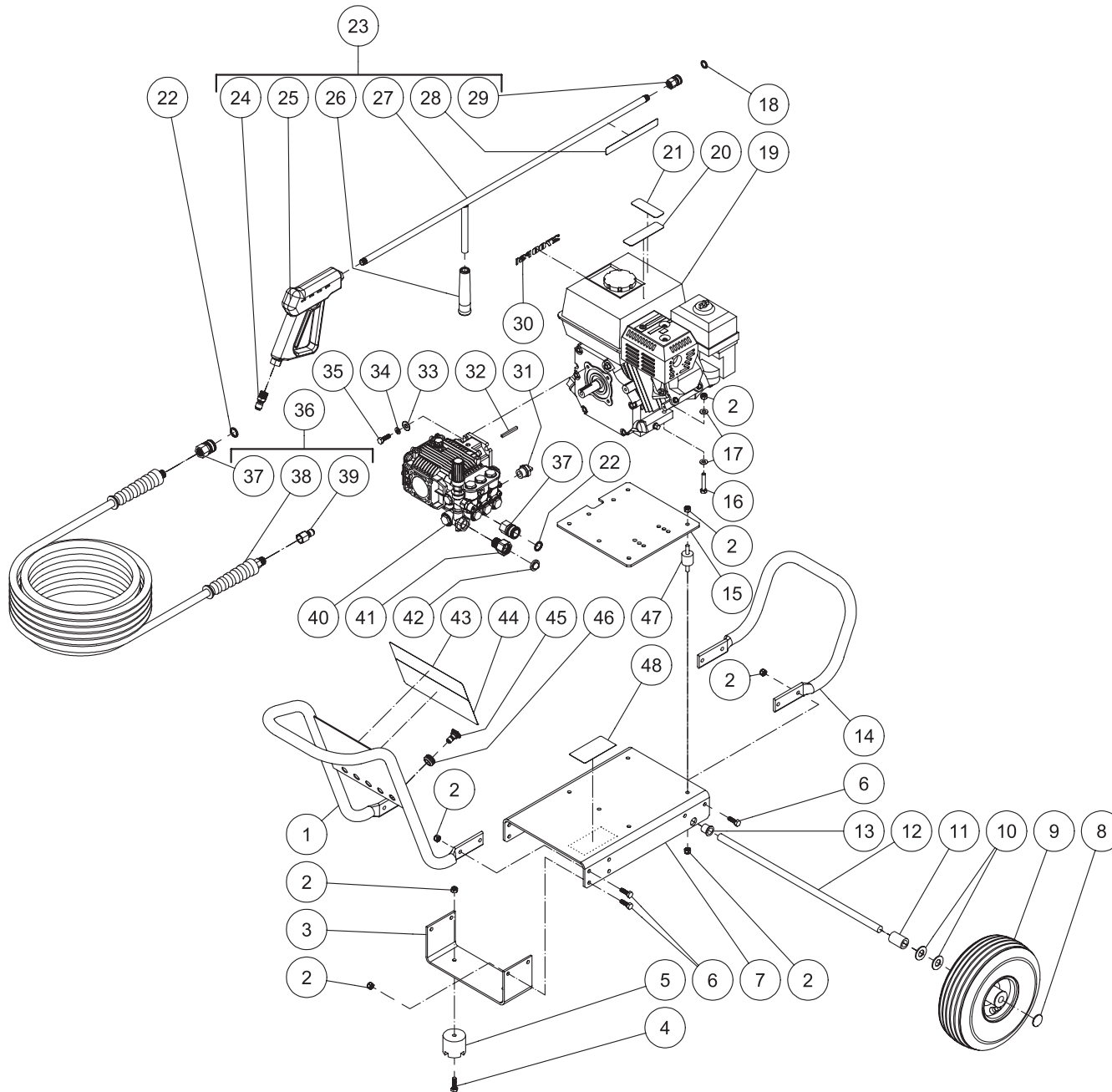
CA-2703-OMHB Parts List

SPECIFICATIONS

MODEL NUMBER	CA-2703-0MHB	CA-2703-0MRB
Operating Pressure (PSI/Bar):	2700/186	
High Pressure Nozzle:	3.0	
Water Volume (GPM/lpm):	2.4/9	
Engine:	Honda	Subaru
Horsepower	6.5	7.0
Engine Type	4 Stroke, Overhead Valve, Single Cylinder	
Oil Type	SAE10W-30	
Oil Capacity (oz./liters)	20/6	
Low Oil Protection	Oil Alert™	Low Oil Shutdown
Fuel Type	Unleaded Gasoline 86 Octane Minimum	
Fuel Capacity (gallon/ liters)	.95/3.6	
Starting	Recoil	
Maximum No Load RPM	3600 (+/- 100) RPM	
Pump:	Direct Driven, Oil Bath, Triplex Piston	
Oil Type	Mi-T-M Pump Oil #AW-4085-0016	
Oil Capacity (oz./liters)	14/4	
Plungers	Ceramic	
Manifold	Forged Brass	
Valves	Stainless Steel	
Unloader	Adjustable	
Thermal Relief Valve	Relieves heated water during unloader bypass stage	
Unit Net Weight (lbs/Kg)	76/34.5	
Unit Shipping Weight (lbs/Kg)	103/47	
Unit Net Dimension (in/cm)	39Lx20.5Wx24.5H/99Lx52Wx62H	
Unit Shipping Dimension (in/cm)	30.5Lx21.5Wx27H/77.5Lx55Wx68.5H	

Manufactured by the Mi-T-M Corporation
8650 Enterprise Dr., Peosta, Iowa 52068
800-553-9053 corp@mitm.com www.mitm.com

FRAME ASSEMBLY FOR CA-2703-0MHB/RB (AFTER SERIAL #10173072)

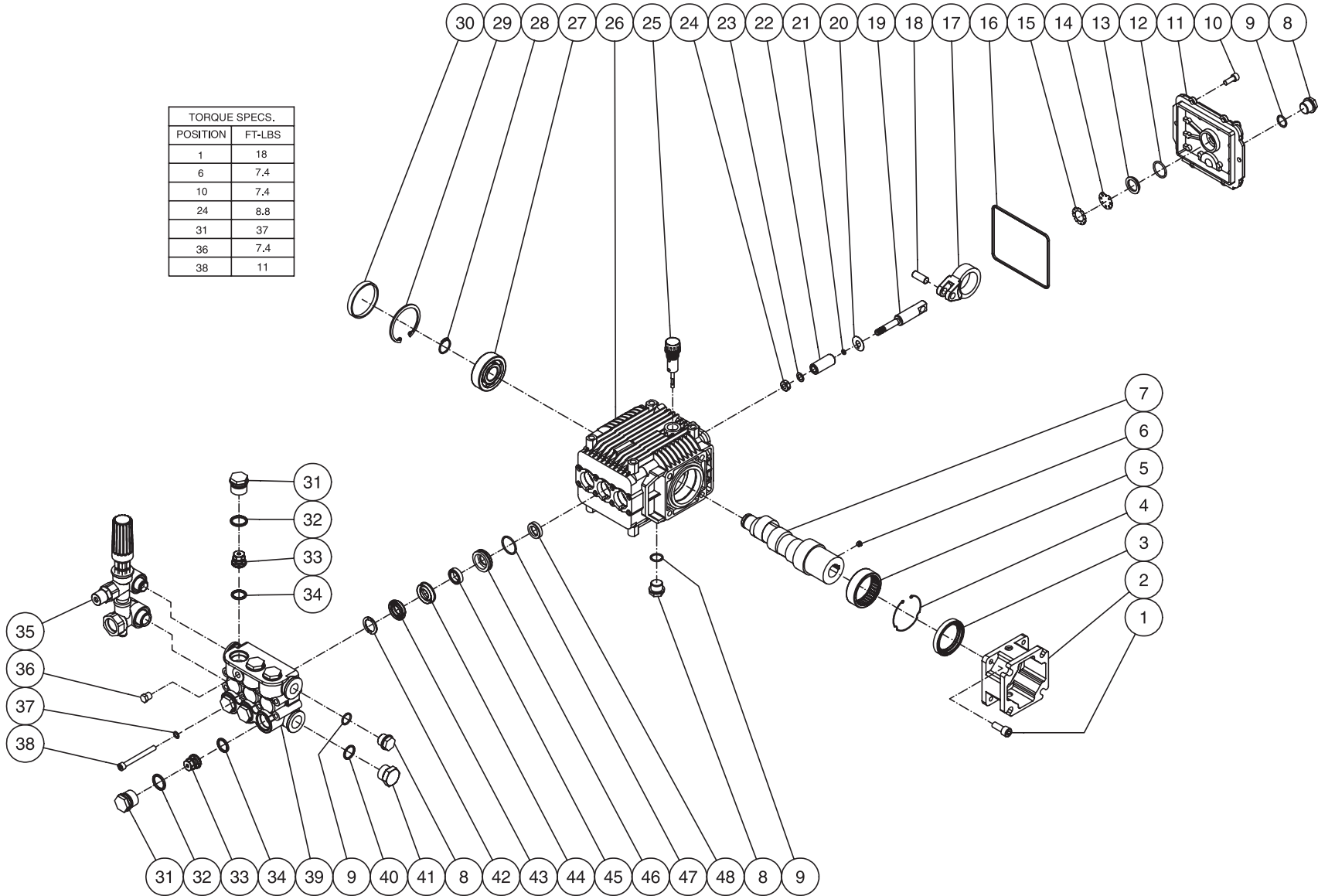


CA-2703-0MHB/RB-070109-RSW

FRAME ASSEMBLY FOR CA-2703-0MHB/RB (AFTER SERIAL #10173072)							
REF. #	DESCRIPTION	PART #	QTY.	REF. #	DESCRIPTION	PART #	QTY.
1	Front Handle Assembly	7-0182	1	27	Wand w/Handle	16-0418	1
2	Locknut	30-0157	26	28	Decal- Warning: Risk of Injection (See 34-9014)	N/A Sep.	1
3	Support Bracket	56-0054	1	29	Quick Connect Socket	17-0001	1
4	Bolt	27-0068	2	30	Decal- 2700 Die Cut	34-2213	1
5	Isolator	14-0008	2	31	Thermal Relief Valve	22-0005	1
6	Bolt	27-0067	12	32	Key	43-0073	1
7	Baseplate	5-0206	1	33	Washer	28-0022	4
8	Hub Cap	33-0018	2	34	Lockwasher	29-0007	4
9	Wheel	14-0017	2	35	Bolt	27-0092	4
10	Washer	28-0008	4	36	Pressure Hose Assembly (Inc. 37-39)	851-0338	1
11	Axle Spacer	62-0176	2	37	Quick Connect Socket	17-0004	2
12	Axle	20-0518	1	38	Hose	15-0209	1
13	Bushing	62-0175	2	39	Quick Connect Plug	17-0006	1
14	Rear Handle	7-0183	1	40	Pump	3-0269	1
15	Isolation Plate	56-0052	1	41	Garden Hose Swivel	23-0095	1
16	Bolt	27-0070	4	42	Inlet Filter Washer w/ Screen	19-0001	1
17	Flatwasher	28-0003	8	43	Decal- Choremaster	34-2150	
18	O-ring	25-0122	1	44	Decal- Warning/Caution/Operation (See 34-9014)	N/A Sep.	1
19	Engine- 6.5 HP Honda (CA-2703-0MHB)	1-0088	1	45	Nozzle- 0003	18-0302	1
-	Engine- 7.0 HP Subaru (CA-2703-0MRB)	1-0133	1	-	Nozzle- 1503	18-0150	1
20	Decal- Warning: Risk of Burns (See 34-9014)	N/A Sep.	1	-	Nozzle- 2503	18-0303	1
21	Decal- Caution: Risk of Fire (See 34-9014)	N/A Sep.	1	46	Grommet	33-0001	5
22	O-ring	25-0123	2	47	Vibration Isolator	14-0096	4
23	Gun/Wand Assembly (Inc. 24-29)	851-0095	1	48	Decal- Data Plate	N/A	1
24	Quick Connect Plug	17-0005	1		Decal Kit (Inc. 20, 21, 28, 44)	34-9014	
25	Trigger Gun	16-0001	1				
26	Wand Grip	7-0002	1				
*Must Order in One Foot Lengths							

PUMP ASSEMBLY (3-0269)

TORQUE SPECS.	
POSITION	FT-LBS
1	18
6	7.4
10	7.4
24	8.8
31	37
36	7.4
38	11

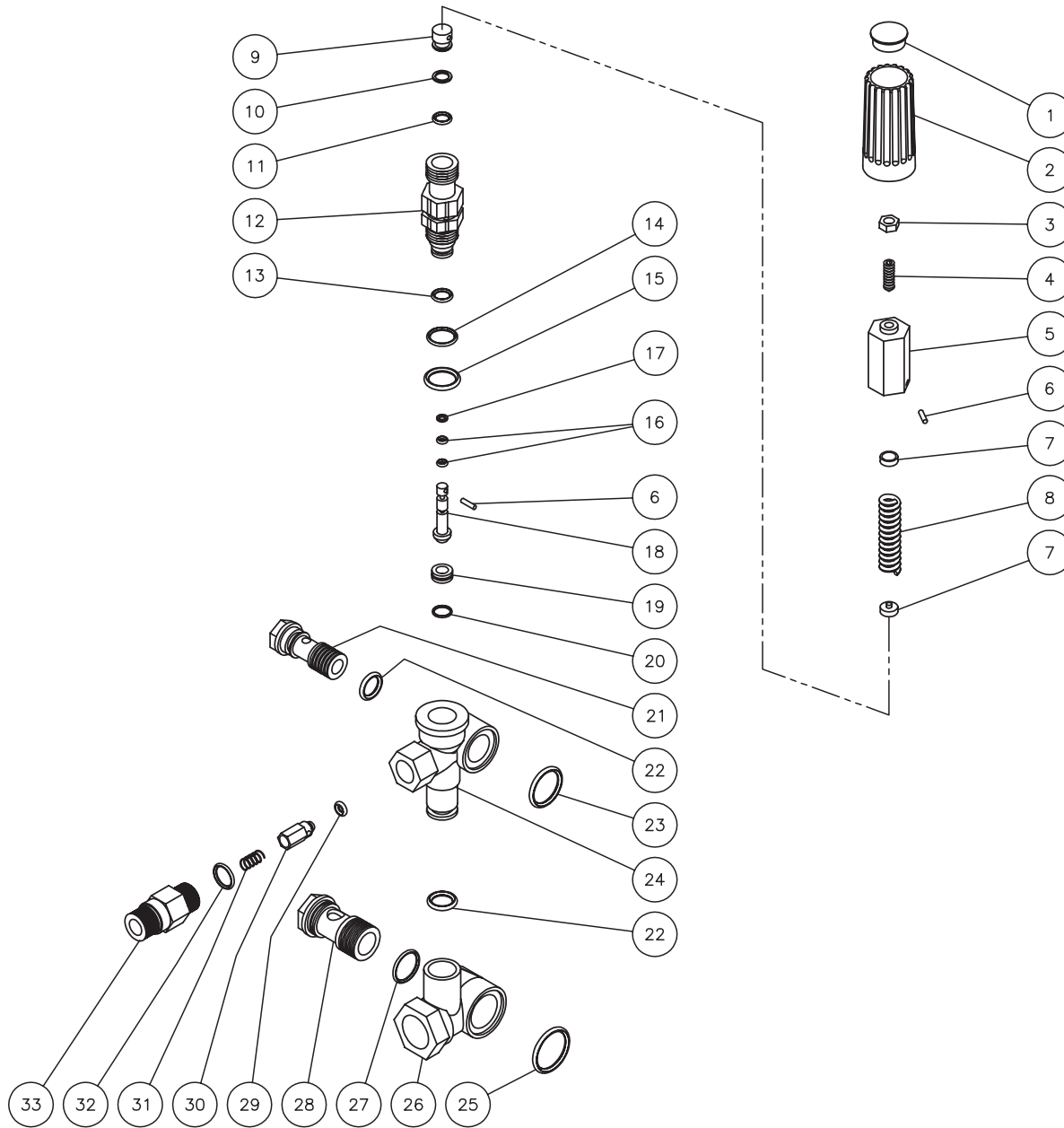


3-0269-103105-JJT

PUMP ASSEMBLY (3-0269)

REF. #	DESCRIPTION	PART #	QTY.	REF. #	DESCRIPTION	PART #	QTY.	REF. #	DESCRIPTION	PART #	QTY.
1	Screw	27-8432	4	18	Piston Pin	46-0721	3	35	Unloader Assembly	8-0546	1
2	Pump Flange	46-0715	1	19	Plunger Rod	46-0722	3	36	Plug	39-0097	1
3	Oil Seal	26-0192	1	20	Washer	28-1027	3	37	Lockwasher	29-0153	8
4	Retaining Ring	46-0667	1	21	O-ring	25-0371	3	38	Screw	27-8875	8
5	Bearing	48-0059	1	22	Piston	46-0723	3	39	Manifold	46-0730	1
6	Screw	27-8886	1	23	Washer / Gasket	26-0187	3	40	O-ring	25-0372	1
7	Crankshaft	46-0718	1	24	Nut	30-6016	3	41	Plug	39-0088	1
8	Plug	39-0086	3	25	Oil Dipstick	39-0090	1	42	Support Ring (See 70-0182)	N/A Sep.	3
9	O-ring	25-0325	3	26	Pump Crankcase	46-0724	1	43	V-Packing (See 70-0181)	N/A Sep.	3
10	Screw	27-8888	6	27	Bearing	48-0063	1	44	Packing Retainer	46-0728	3
11	Pump	46-0719	1	28	Snap Ring - External	46-0732	1	45	Low Pressure Seal	46-0727	3
12	O-ring	25-0370	1	29	Snap Ring - Internal	46-0676	1	46	Low Pressure Retainer	46-0726	3
13	Oil Sight Glass	46-0670	1	30	Bearing Cap	46-0725	1	47	O-ring	25-0399	3
14	Oil Reflector	46-0824	1	31	Valve Cap	39-0087	6	48	Oil Seal	26-0193	3
15	Spring Retainer	46-0671	1	32	O-ring	25-0160	6		High Pressure Seals Kit (Inc. 3 each 43, 45, 47)	70-0181	
16	O-ring	25-0398	1	33	Single Valve Assembly (See 70-0161)	N/A Sep.	6		Support Ring Kit (Inc. 3 each 42)	70-0182	
17	Connecting Rod	46-0720	3	34	O-ring	25-0386	6		Valve Kit (Inc. 6 each 33-34)	70-0161	

UNLOADER ASSEMBLY (8-0546)

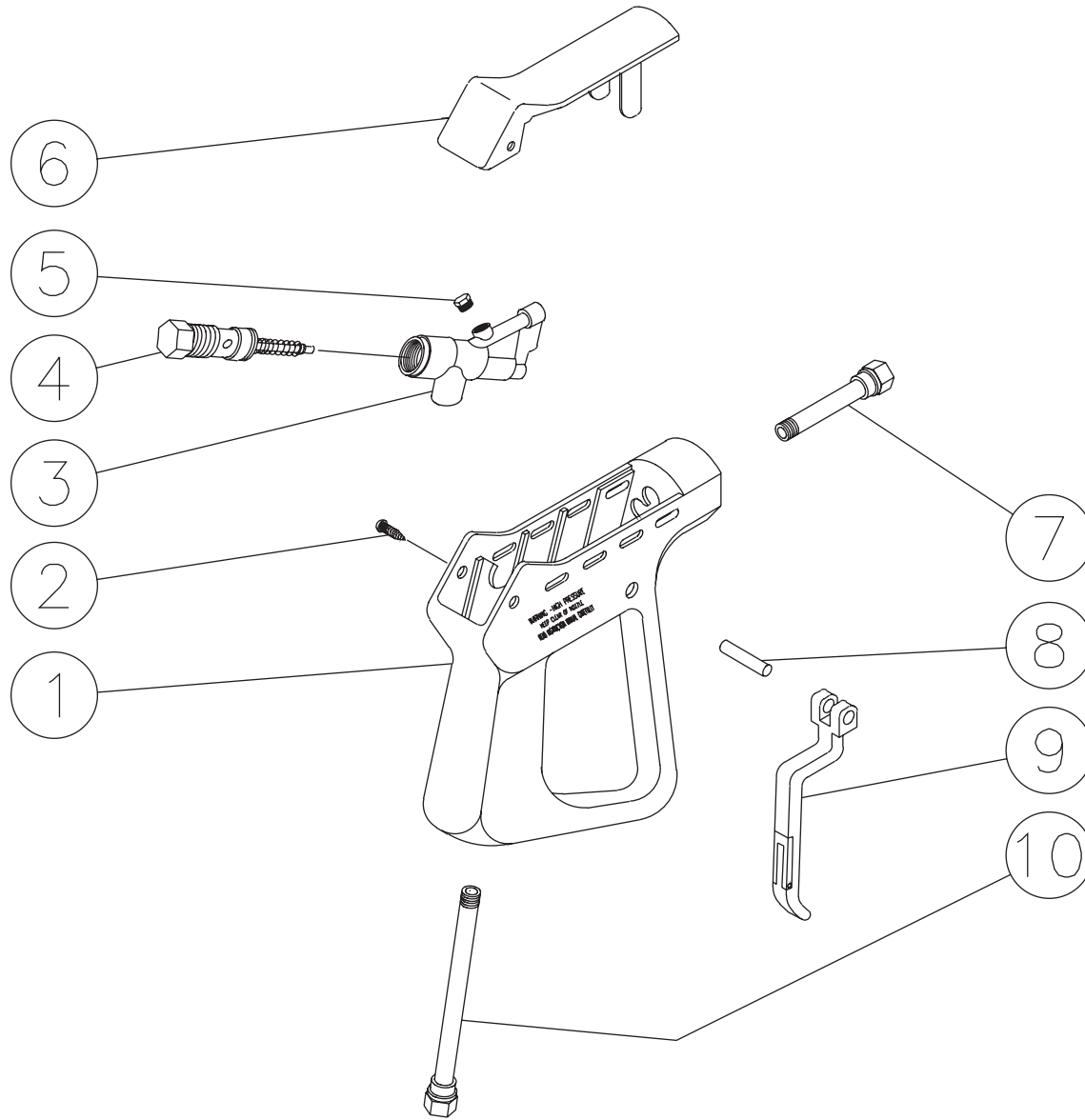


8-0546-060707-RSW

UNLOADER ASSEMBLY (8-0546)

REF. #	DESCRIPTION	PART #	QTY.	REF. #	DESCRIPTION	PART #	QTY.
1	Unloader Knob	7-0178	1	19	Valve Seat	8-0503	1
2	Unloader Knob	7-0179	1	20	O-ring (See 70-0366)	N/A Sep.	1
3	Nut	30-6024	1	21	Bolt	8-0516	1
4	Set Screw	27-8959	1	22	O-ring	25-0388	2
5	Knob Insert	8-0500	1	23	O-ring	25-0370	1
6	Pin	8-0477	2	24	Valve Housing	N/A	1
7	Spring Button	8-0501	2	25	O-ring	25-0519	1
8	Spring	49-0119	1	26	By-pass Housing	N/A	1
9	Upper Piston (See 70-0292)	N/A Sep.	1	27	O-ring	25-0389	1
10	Back-up Ring	25-0404	1	28	Bolt	8-0517	1
11	O-ring (See 70-0336)	N/A Sep.	1	29	O-ring	25-0406	1
12	Piston Guide	8-0502	1	30	Check Valve	8-0518	1
13	O-ring	25-0403	2	31	Unloader Check Valve Spring	49-0124	1
14	O-ring	25-0510	1	32	O-ring	25-0407	1
15	O-ring	25-0386	1	33	Fitting	8-0519	1
16	O-ring (See 70-0366)	N/A Sep.	2		Unloader Kit (Inc. 1-20)	70-0292	
17	Back-up Ring	25-0408	1		O-ring Repair Kit (Inc. 10-11, 13-17, 20, 22-23, 25, 29, 32)	70-0336	
18	Piston	8-0413	1				

GUN ASSEMBLY (16-0001)



16-0001-110399-RD

16-0001-110399-RD

GUN ASSEMBLY (16-0001)			
REF. #	DESCRIPTION	PART #	QTY.
1	Plastic Housing	16-0008	1
2	Screw	27-3230	2
3	Brass Housing	16-0012	1
4	Gun Repair Kit	70-0055	1
5	Brass Plug	39-0024	1
6	Plastic Cover	16-0009	1
7	Pipe Assembly	16-0013	1
8	Trigger Pin	16-0063	1
9	Trigger/Safety Lock-off	16-0010	1
10	Pipe Assembly- Inlet	16-0016	1
	Complete Gun Assembly	16-0001	1