

OPERATOR'S MANUAL
PORTABLE
GASOLINE DRIVEN/BELT DRIVE
COLD WATER PRESSURE WASHERS



Intertek
3012903

 **CAUTION**
RISK OF INJURY!


READ MANUAL BEFORE OPERATING!

**THIS MANUAL IS AN IMPORTANT PART OF THE PRESSURE WASHER
AND SHOULD REMAIN WITH THIS UNIT WHEN YOU SELL OR RENT IT.**


TABLE OF CONTENTS

INTRODUCTION	3
FEATURES	8
FEATURES LISTING	8
INSTALLATION & PREPARATION	10
ATTIRE:.....	10
SET-UP:.....	10
ENGINE FUEL TANK:	10
NOZZLE REVIEW:	11
NOZZLE CONNECTION:.....	11
WATER SUPPLY:	12
UNLOADER:	12
THERMAL RELIEF VALVE:	12
PRE-START INSPECTION PROCEDURES:.....	13
OPERATING INSTRUCTIONS	15
PRIMING THE PUMP:	15
START-UP:.....	15
CLEANING WITH DETERGENTS (OPTIONAL FEATURE):.....	16
SHUTDOWN:.....	17
STORAGE & MAINTENANCE	18
SPECIFIC MAINTENANCE:	18
WINTERIZING:.....	18
TROUBLESHOOTING	20
STATEMENT OF WARRANTY	21

WARNING

 **WARNING:** This product can expose you to chemicals including carbon monoxide, which is known to the State of California to cause birth defects or other reproductive harm. For more information go to www.P65Warnings.ca.gov

WARNING

 **WARNING:** This product can expose you to chemicals including Lead, which is known to the State of California to cause cancer and birth defects or other reproductive harm. For more information go to www.P65Warnings.ca.gov

INTRODUCTION

Congratulations on the purchase of your new pressure washer! You can be assured your new pressure washer was constructed and designed with quality and performance in mind. Each component has been rigorously tested to ensure the highest level of acceptance.

This operator's manual was compiled for your benefit. By reading and following the simple safety, installation, operation, maintenance and troubleshooting steps described in this manual, you will receive years of trouble-free operation from your new pressure washer. The contents of this manual are based on the latest product information available at the time of publication. The manufacturer reserves the right to make changes in price, color, materials, equipment, specifications or models at any time without notice.

! IMPORTANT !

Safety Warnings that must be followed when operating this pressure washer.

Accompanying the Safety Warnings are "signal words" which designate the degree or level of hazard seriousness. The "signal words" used in this manual are as follows:

DANGER: INDICATES AN IMMINENTLY HAZARDOUS SITUATION WHICH, IF NOT AVOIDED, WILL RESULT IN DEATH OR SERIOUS INJURY.

WARNING: INDICATES A POTENTIALLY HAZARDOUS SITUATION WHICH, IF NOT AVOIDED, COULD RESULT IN DEATH OR SERIOUS INJURY.

CAUTION: INDICATES A POTENTIALLY HAZARDOUS SITUATION WHICH, IF NOT AVOIDED MAY RESULT IN MINOR OR MODERATE INJURY.

The symbols below this paragraph are "Safety Alert Symbols." These symbols are used to call attention to items or procedures that could be dangerous to you or other persons using this equipment.



ALWAYS PROVIDE A COPY OF THIS MANUAL TO ANYONE USING THIS EQUIPMENT. READ ALL INSTRUCTIONS BEFORE OPERATING THIS PRESSURE WASHER AND ESPECIALLY POINT OUT THE "SAFETY WARNINGS" TO PREVENT THE POSSIBILITY OF PERSONAL INJURY TO THE OPERATOR.

Once the unit has been uncrated, immediately write in the serial number of your unit in the space provided below.

SERIAL NUMBER _____

Inspect for signs of obvious or concealed freight damage. If damage does exist, file a claim with the transportation company immediately. Be sure that all damaged parts are replaced and that the mechanical problems are corrected prior to operation of the unit. If you require service, contact your Customer Service Representative.

CUSTOMER SERVICE

CALL OUR TOLL-FREE NUMBER

for the Sales or Service Center nearest you!

(800) 553-9053

Please have the following information available for all service calls:

1. Model Number
2. Serial Number
3. Date and Place of Purchase

IMPORTANT SAFETY INSTRUCTIONS

RISK OF EXPLOSION OR FIRE

Serious injury or death may occur from normal sparks in the engine ignition system or engine exhaust/muffler.



Always operate pressure washer in a well ventilated area free of flammable vapors, combustible dust, gases or other combustible materials.

Do not store the pressure washer near an open flame or any equipment such as a stove, furnace water heater, etc. which utilizes a pilot light or sparking device.

Serious injury or death may occur as a result of improper fueling.

Do not use this pressure washer to spray flammable material!

Do not smoke while filling engine fuel tank.

Never fill the engine fuel tank while the engine is running or hot. Allow the engine to cool two minutes before refueling.

Do not refuel indoors or in a poorly ventilated area.

Always refuel slowly to avoid the possibility of spilled fuel which may cause a risk of fire.

Gasoline Engine Fuel Tank (Red): Refuel with gasoline only. Do not use diesel or fuel oil.

Do not operate the unit if gasoline fuel is spilled. Wipe the pressure washer clean and move it away from the spill. Avoid creating any ignition until the gasoline fuel has evaporated.

Serious injury or death may occur from the battery when using the Electric Starter.

When the battery is being activated, hydrogen and oxygen gases in the battery are extremely explosive. Keep open sparks and flames away from the battery at all times, especially when charging the battery.

Be certain to disconnect the battery ground terminal before servicing. When disconnecting the cable from the battery, start with the negative terminal, and when connecting them, start with the positive one.

When charging the battery, remove the battery vent plugs.

Use only a voltmeter or hydrometer to check a battery charge.

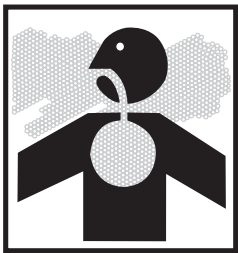
DO NOT jump start the battery unless both batteries are of equal voltage and amperage.

Serious injury or death may occur from a ground fire caused by a muffler spark.

A spark arrester must be added to the muffler of this engine if it is to be used on any forest covered, brush covered or grass covered unimproved land. The arrester must be maintained in effective working order by the operator. In the state of California, the above is required by law. (Section 4442 of the California Public Resources Code.) Other states may have similar laws. Federal laws apply on federal lands.

RISK OF ASPHYXIATION

Serious injury or death may occur from inhaling engine exhaust or dangerous vapors. The engine exhaust from this product contains chemicals known to the State of California to cause cancer, birth defects, or other reproductive harm.



This pressure washer was designed for outdoor use only. Never operate this pressure washer in an enclosed area. Always make certain there is adequate ventilation (fresh outside air) for breathing and combustion. This will prevent the buildup of dangerous carbon monoxide gases. Beware of poorly ventilated areas, or areas with inadequate exhaust fans which can cause poor air exchange.

Follow all safety instructions provided with the materials you are spraying. Use of a respirator may be required when working with some materials. Do not use this pressure washer to dispense hazardous detergents or chemicals.

IMPORTANT SAFETY INSTRUCTIONS

RISK OF INJECTION OR SEVERE CUTTING INJURY

Serious injury or death could occur from high pressure spray penetrating the skin.

Keep clear of nozzle and spray! Never put your hand, fingers or body directly over the spray nozzle.

Never point the high pressure discharge spray at yourself or anyone else.

Always keep operating area clear of all persons.

DO NOT allow children to operate this unit.

SEEK EMERGENCY MEDICAL CARE if the spray appears to have penetrated the skin! DO NOT TREAT AS A SIMPLE CUT!!

High pressure hoses and fuel lines should be inspected daily for signs of wear. If evidence of failure exists, promptly replace all suspect hoses and fuel lines to prevent the possibility of injury from the high pressure spray. If a hose or fitting is leaking, NEVER PLACE YOUR HAND DIRECTLY ON THE LEAK.

NEVER operate the gun with the trigger wired in the open position. To prevent accidental discharge, the trigger gun should be securely locked when not in use.

Before removing the spray nozzle or servicing the unit, ALWAYS shut off the unit and trigger the gun to release trapped pressure. (Even after you shut off the unit, there is high pressure water left in the pump, hose and gun until you release it by triggering the gun.)

RISK OF ELECTROCUTION OR ELECTRICAL SHOCK

Serious injury or death may occur from contact with electricity.

DO NOT direct spray on or into electrical installations of any kind! This includes electrical outlets, light bulbs, fuse boxes, transformers, the unit itself, etc.

DO NOT allow metal components of the pressure washer to come in contact with live electrical components.

RISK OF BURNS

Serious injury could occur from touching the engine muffler. This area can remain hot for some time after the pressure washer is shutdown.

Never allow any part of your body to contact the engine muffler or adjacent areas.

RISK OF BURSTING

Serious injury may occur from a pressure washer malfunction or exploding accessories if incorrect system components, attachments or accessories are used.

Never make adjustments to the factory set pressures.

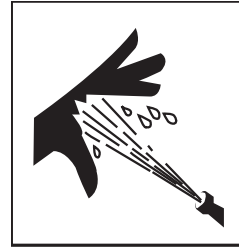
Never exceed manufacturers maximum allowable pressure rating of attachments.

Do not allow any hoses to make contact with the engine muffler or gasoline engine to prevent the possibility of bursting. Avoid dragging the hoses over abrasive surfaces such as cement.

Use only manufacturer recommended repair parts for your pressure washer.

Serious injury or death may occur if system safety's are not properly maintained.

This pressure washer has a Safety Relief (Burst Disk) device which should never be altered, modified, removed or made inoperative. If the device fails, replace immediately with only genuine manufacturer replacement part.



IMPORTANT SAFETY INSTRUCTIONS

Serious injury or death may occur if attempting to start the pressure washer when the pump is frozen.

In freezing temperatures, the unit must always be warm enough to ensure there is no ice formation in the pump. Do not start the pressure washer if it has been transported in an open or underheated vehicle without first allowing the pump to thaw.

RISK OF BODILY INJURY

Serious injury or death may occur from detergents contacting the skin.

SEEK EMERGENCY MEDICAL CARE if you are using cleaning agents and the spray appears to have penetrated the skin! DO NOT TREAT AS A SIMPLE CUT!! Be prepared to tell a physician exactly what kind of detergents you were using by reading the Material Safety Data Sheet (MSDS) provided with your detergent.

Never use any solvents or highly corrosive detergents or acid type cleaners with this pressure washer.

Protective equipment such as rubber suits, gloves and respirators are advisable, especially when using cleaning detergents.

Keep all detergents out of the reach of children!

ALWAYS wear protective goggles when operating the unit to shield the eyes from flying debris and detergents.

Serious injury can occur from loose debris being propelled at a high speed from the spray gun.

DO NOT direct spray toward fragile materials such as glass. Shattering could occur.

Stay alert-watch what you are doing. Do not operate the unit when fatigued or under the influence of alcohol or drugs.

NEVER squeeze the trigger unless securely braced.

DO NOT overreach or stand on unstable support.

Wet surfaces can be slippery, wear protective foot gear and keep good footing and balance at all times.

Injury may occur if the operator loses his balance caused by the thrust of water traveling through the spray nozzle.

NEVER trigger the gun while on a ladder or roof.

ALWAYS hold on firmly to the gun/lance assembly when starting and operating the unit. Failure to do so can cause the lance to fall and whip dangerously.

Injury may occur from the pressure washer.

Know how to stop the pressure washer and bleed pressures quickly. Be thoroughly familiar with controls.

DO NOT leave pressurized unit unattended. Shut off the pressure washer and release trapped pressure before leaving.

DO NOT operate the unit if you see any fuel, oil or water leaks from the machine. DO NOT resume operation until the unit has been inspected and repaired by a qualified service person.

NEVER run the unit with the governor disconnected or operate at excessive speeds.

Place unit in a clean, dry, flat area for servicing. Before servicing the unit, turn the unit off, relieve the water pressure from the trigger gun, and allow the unit to cool down. Service in clean, dry, flat area. Block wheels to prevent unit from moving.

Do not move the unit by pulling on the hose.

RISK FROM MOVING PARTS

Serious injury may occur to the operator from moving parts on the pressure washer.



IMPORTANT SAFETY INSTRUCTIONS

Before making any adjustments, be certain the engine is turned off, ensure the positive battery cable is disconnected and the ignition cable(s) is removed from the spark plug(s). Turning the machinery over by hand during adjustment or cleaning might start the engine and machinery with it.

Do not operate the unit without all protective covers in place.

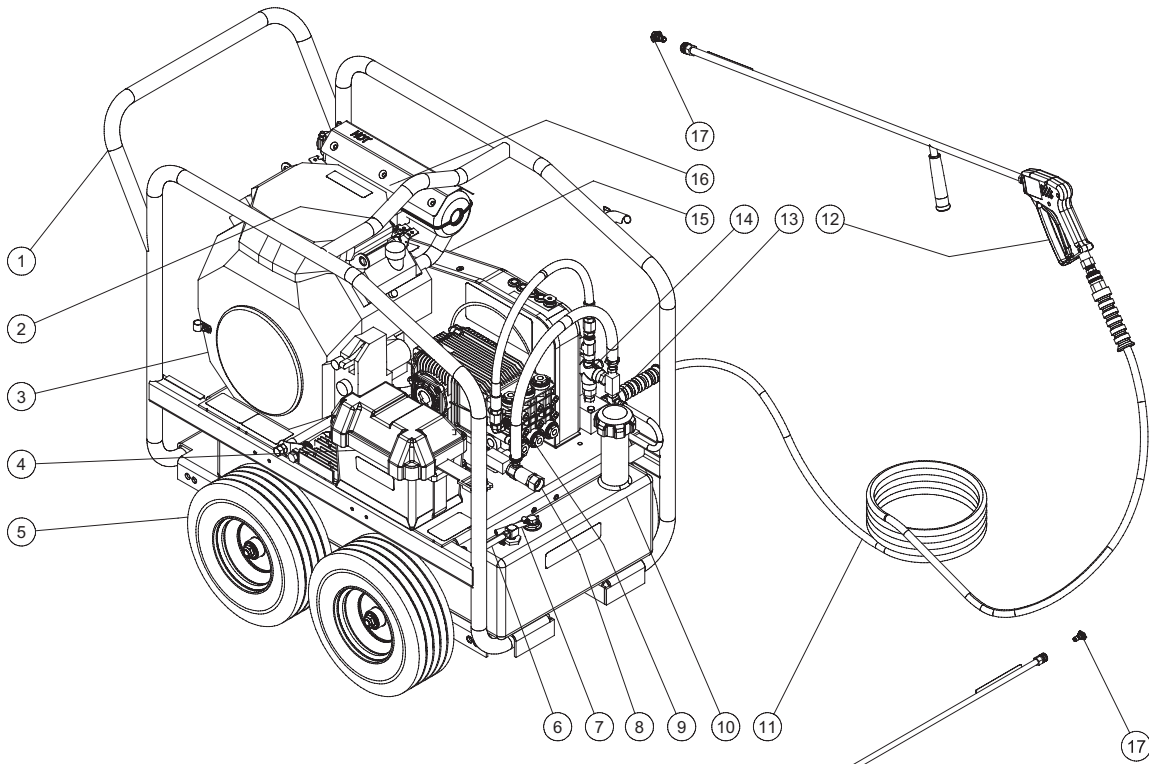


!SAVE THESE INSTRUCTIONS!

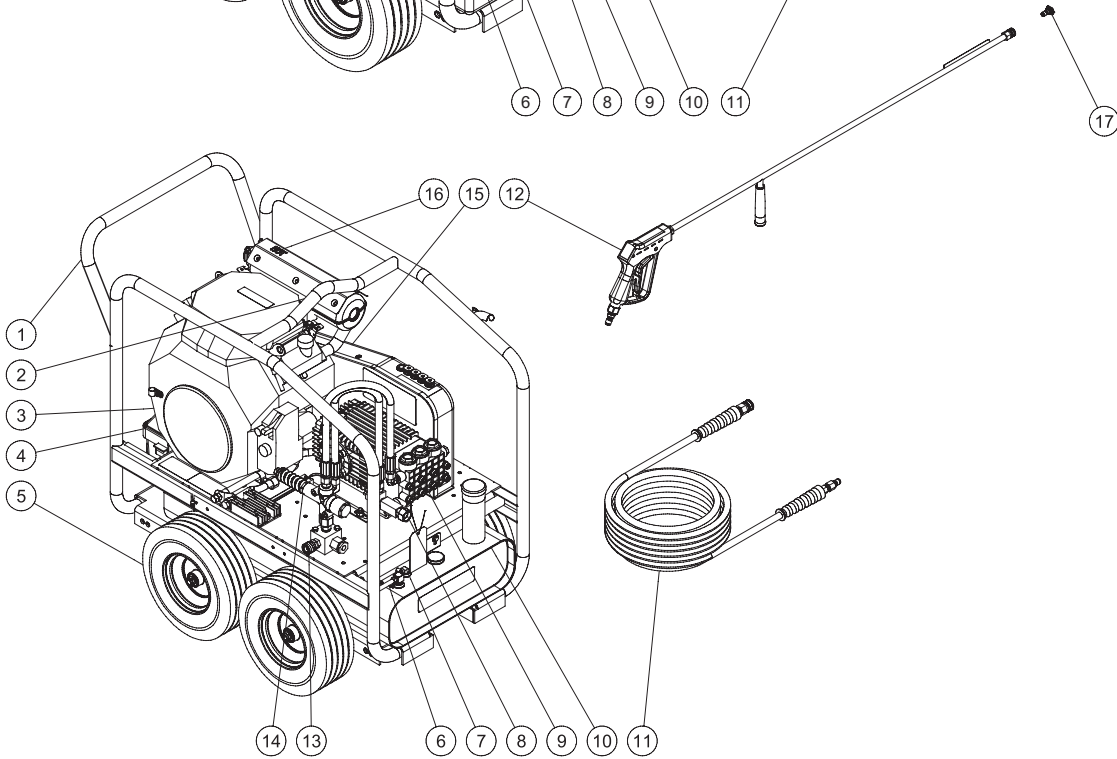


FEATURES

CWC FEATURES 120717 ADR



CWC-7004 FEATURES 031116 RSW



FEATURES LISTING

- | | |
|--|---|
| <ul style="list-style-type: none"> 1 CONVENIENT PUSH/PULL HANDLE 2 CENTER BALANCED LIFT HOOK 3 ENGINE W/ELECTRIC START 4 BATTERY 5 PNEUMATIC WHEELS 6 FUEL LINE 7 VAPOR BREATHER LINE 8 WATER INLET & STRAINER 9 PUMP | <ul style="list-style-type: none"> 10 FUEL TANK 11 HIGH PRESSURE HOSE 12 GUN ASSEMBLY 13 WATER OUTLET 14 UNLOADER 15 PUSH/PULL TOGGLE BRAKE 16 EMISSIONS CANISTER 17 QUICK CONNECT NOZZLE |
|--|---|

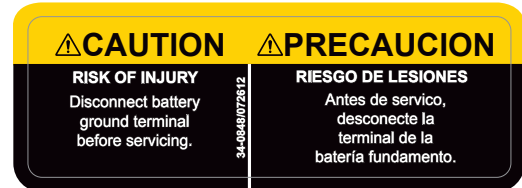
SAFETY DECALS

DO NOT REMOVE SAFETY DECALS FROM UNIT UNLESS REPLACING WITH MOST CURRENT SAFETY DECAL!!!

Decal: Caution-Gasoline Fuel
(Part #34-0835)



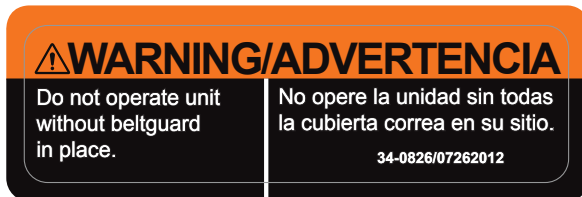
Decal: Caution-Risk of Injury
(Part # 34-0848)



Decal: Warning-Risk of Injection (Part #34-1253)



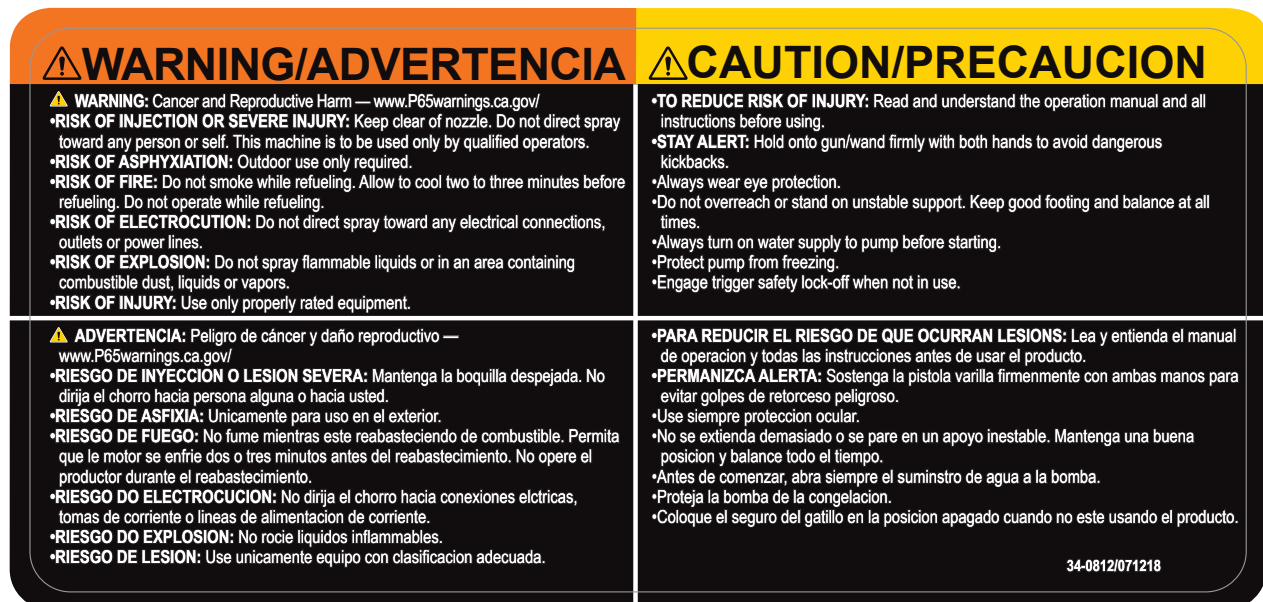
Decal: Warning-Beltguard in Place
(Part #34-0826)



Decal: Warning-Muffler Hot
(Part #34-0598)



Decal: Caution/Warning Statements (Part #34-0812)



INSTALLATION & PREPARATION



ATTIRE:

Proper attire is essential to your safety. It is advised to utilize whatever means necessary to protect eyes, ears, and skin. Additional safety attire (such as respiratory mask) may be required when using detergent cleaning agents with this washer.

SET-UP:

1. This unit should only be placed on a level surface to ensure proper lubrication for the engine and water pump while operating.

WARNING: RISK OF ASPHYXIATION! USE THIS PRODUCT ONLY IN WELL VENTILATED AREAS!

DO NOT OPERATE IN AN ENCLOSED AREA. THE EXHAUST CONTAINS CARBON MONOXIDE, A POISONOUS, ODORLESS AND INVISIBLE GAS. BREATHING THIS GAS CAN CAUSE SERIOUS INJURY, ILLNESS & POSSIBLE DEATH.

2. Do not operate unit in an area:
 - a. with insufficient ventilation.
 - b. where there is evidence of oil, gas or fuel leaks.
 - c. where flammable gas vapors may be present.

DANGER: RISK OF EXPLOSION OR FIRE! WHEN CHARGING BATTERIES, THEY GENERATE A HIGHLY EXPLOSIVE HYDROGEN GAS. A SPARK COULD CAUSE AN EXPLOSION OR FIRE! DO NOT JUMP START BATTERY UNLESS BOTH BATTERIES ARE OF EQUAL VOLTS & AMPS. DO NOT SMOKE OR ALLOW SPARKS OR FLAMES NEAR THE BATTERY. DO NOT PLACE UNIT IN AN AREA WHERE FLAMMABLE GAS VAPORS MAY BE PRESENT. A SPARK COULD CAUSE AN EXPLOSION OR FIRE.

RISK OF UNIT BURSTING! DO NOT STORE/OPERATE UNIT IN FREEZING ENVIRONMENTS!

3. Be certain to block the wheels to prevent the unit from moving while operating.
4. Do not allow the unit to be exposed to rain, snow or freezing temperatures. If any part of the unit becomes frozen, excessive pressure may build up in the unit which could cause it to burst or explode-resulting in possible serious injury to the operator or bystanders.
5. Pump oil level should be checked before each use. Check the dipstick or the oil level indicator on the pump crankcase. Make certain the oil is on the "Full" mark on the dipstick or in the center of the oil sight glass. If the level appears to be low, fill with 15W20 detergent pump oil.

ENGINE FUEL TANK:

DANGER: RISK OF FIRE! DO NOT SMOKE WHILE FUELING! DO NOT FILL THE FUEL TANK WHILE UNIT IS RUNNING OR HOT. ALLOW UNIT & ENGINE TO COOL FOR TWO MINUTES BEFORE REFUELING. DO NOT FILL FUEL TANK TO POINT OF OVERFLOWING. ALLOW APPROXIMATELY 1/4" OF TANK SPACE FOR FUEL EXPANSION.

1. Locate the Safety Decals on your unit and heed their warnings.

WARNING: RISK OF EXPLOSION OR FIRE! ALWAYS STORE FUEL AWAY FROM THE WASHER WHILE THE UNIT IS RUNNING OR HOT.

INSTALLATION & PREPARATION

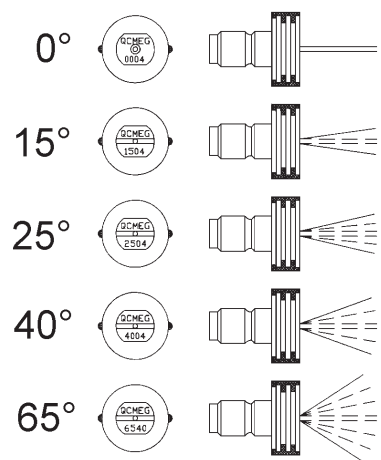
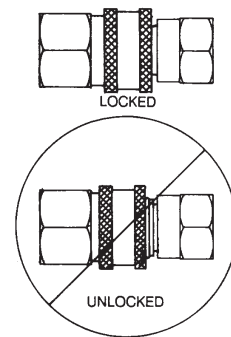
- Gasoline Engines: When filling (red) tank, gasoline fuel should be a minimum of 85 octane. **DO NOT MIX OIL WITH GASOLINE.** Gasoline fuel should be purchased in quantities that may be used within 30 days. Use of clean, fresh lead-free gasoline is recommended. Leaded gasoline may be used if lead-free is unavailable. **DO NOT** use gasoline containing methanol or alcohol.
- Check the engine oil level before starting the engine. (See Engine Manual.)
- Refer to the Engine Manual supplied with this unit for proper fueling and adjustment procedures.
- Review the Engine Manual accompanying this pressure washer for correct engine start-up and maintenance procedures.

NOZZLE REVIEW:

Various nozzles may be quick-connected into the end of the lance to change the spray pattern or use the detergent feature. When using quick connects (Q.C.), be certain the connection is securely locked. If not, the high pressure water may shoot the nozzle from the lance, causing severe injury or serious damage. To determine spray fan, refer to the actual number stamped on the nozzle. The first two digits indicate the spray fan in degrees, i.e.: 00=0°, 15=15°, 25=25°, 40=40°, 65=detergent/low pressure.

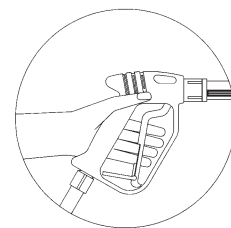
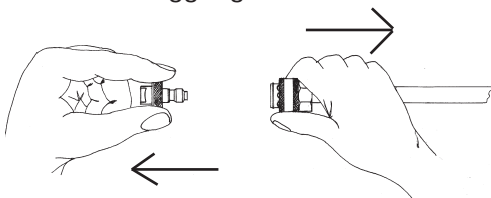
**WARNING RISK OF INJECTION CAUSING SEVERE INJURY!
NEVER LOOK DIRECTLY AT THE NOZZLE UNLESS IT IS DISCONNECTED FROM THE GUN/LANCE ASSEMBLY!**

- The 0° nozzle (RED): This is a blasting nozzle. It delivers a very concentrated stream of water. Be cautious when using the straight narrow stream. It is not recommended for use on painted or wood surfaces or items attached with adhesive backings. Uses: Removing weeds from sidewalk cracks, stubborn stains from concrete, masonry, aluminum and steel, caked mud from equipment, and cleaning lawn mower undersides.
- The 15° nozzle (YELLOW): This is a chiseling nozzle. The spray should be directed at a 45° angle to the surface and used like a scraper to remove paint, grease and dirt. Uses: Surface preparation (removing mildew stains and paint chips), cleaning gutters and downspouts.
- The 25° nozzle (GREEN): This is a flushing nozzle. This pattern is best suited for flushing dirt, mud, and grime. Uses: Wet sweeping leaves from walks, curbs and driveways, cleaning stable floors, washing swimming pool bottoms, degreasing engines.
- The 40° nozzle (WHITE): This is a wash nozzle. This wide spray pattern disperses the water pressure over a large area and is recommended for moderate washing. Uses: Washing down aluminum siding, cleaning windows, washing vehicles, spraying sidewalks, driveways and patios.
- The 65° nozzle (BLACK): This is a low pressure detergent application nozzle. This broad spray pattern distributes solution over vast areas under low pressure. Uses: Detergent application, misting or rinsing.



NOZZLE CONNECTION:

- Ensure the trigger gun is locked in the OFF position.



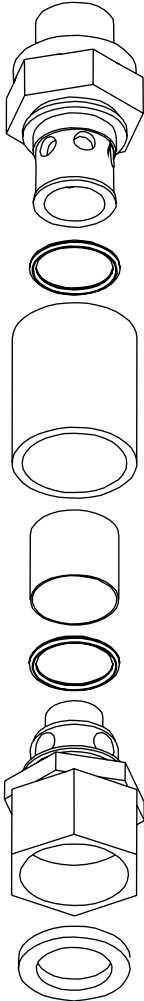
INSTALLATION & PREPARATION

2. The quick-connect nozzle should be disconnected from the gun assembly at this time. As shown in the drawing below, retract the locking ring on the quick-connect fitting to remove the nozzle.

WARNING: RISK OF SEVERE INJURY! THE TRIGGER GUN SHOULD ALWAYS BE LOCKED IN THE OFF POSITION WHEN NOT IN USE!

WATER SUPPLY:

CHECK WATER
INLET STRAINER



1. Select a water supply hose which is a quality grade of garden hose measuring at least 3/4" ID and no longer than 50 feet.
2. Check the see-through water filter to ensure it is clean and free of any obstructions. Periodic cleaning of the see-through water filter will help prevent pump problems. As a filter screen becomes obstructed, it restricts proper flow of water to the pump. This can result in cavitations which will cause premature failure of pump packings.
 - a. Unscrew the garden hose inlet connection from the front of the filter assembly.
 - b. Remove the clear plastic cover and clean the filter screen.
3. Connect the hoses:
 - a. Connect one end of the water supply hose to the water inlet of the unit.
 - b. Connect the other end of the hose to your pressurized water supply. When connecting the water inlet to the water supply mains, local regulations of your water company must be observed. In some areas, the unit must not be connected directly to the public drinking water supply. This is to ensure that there is no feedback of the detergents into the water supply. (Direct connection is permitted if a back flow preventer is installed.)
 - c. Quick-connect the high pressure discharge hose to the water outlet of the unit.
 - d. Connect the other end of the discharge hose to the gun.
4. Follow the incoming water requirements listed below:
 - a. Water pressure must be a minimum of 25 pounds per square inch (PSI) and a maximum of 125 PSI. (A typical outdoor faucet will generally supply this PSI if turned completely "ON".)
 - b. Incoming GPM must be approximately one gallon more than the outgoing GPM stated on the pressure washer nameplate. (You can check GPM by timing how long it takes to fill a 5 gallon container.)
 - c. Incoming water temperature must not exceed 125°F. Excessive pump damage may result if the water temperature exceeds this acceptable level.
5. Never allow the unit to operate without the incoming water line attached and the water supply completely turned on.

UNLOADER:

The unloader has been preset at the factory and should only be adjusted by a trained Service Representative. DO NOT adjust the pressure on your own!

THERMAL RELIEF VALVE:

To ensure the bypass water temperature does not exceed acceptable levels, never allow the pressure washer to operate in the bypass mode (with the unit running and the trigger closed) for more than three minutes.

INSTALLATION & PREPARATION

A Thermal Relief Valve has been added to this unit to protect the pump. It may begin to open and release water if the water temperature in the pump has exceeded 140° F. This will allow fresh, cool water to enter the system.

PRE-START INSPECTION PROCEDURES:

Before starting the unit, perform the following procedures:

1. Check the oil level in the pump and engine.
2. Inspect the water inlet strainer. Clean or replace if necessary.
3. Check all hose connections to ensure they are securely tightened.
4. Inspect for system water leaks, oil leaks and fuel leaks. If a fuel leak is found, **DO NOT START UNIT!** See "Risk of Explosion or Fire" in the warnings. Be sure that all damaged parts are replaced and that the mechanical problems are corrected prior to operation of the unit. If you require service, contact your Customer Service.
5. Inspect high pressure hoses for kinking, cuts and leaks. If a cut or leak is found, **DO NOT USE HOSE!** Replace hose before starting unit. See "Risk of Injection" in the warnings. Be sure that all damaged parts are replaced and that the mechanical problems are corrected prior to operation of the unit. If you require service, contact your Customer Service.

WARNING

**THE FOLLOWING PAGES CONTAIN OPERATING AND MAINTENANCE
INSTRUCTIONS.**

**DO NOT ATTEMPT TO OPERATE THIS PRESSURE WASHER UNTIL YOU HAVE READ
AND UNDERSTOOD ALL SAFETY PRECAUTIONS AND INSTRUCTIONS LISTED IN
THIS MANUAL.**

INCORRECT OPERATION OF THIS UNIT CAN CAUSE SERIOUS INJURY!!

DO NOT ALTER OR MODIFY THIS EQUIPMENT IN ANY MANNER!

OPERATING INSTRUCTIONS

PRIMING THE PUMP:

1. It is essential to prime the pump on initial start-up and each time the water supply is disconnected from the unit after initial use.
2. Lay the high pressure hose out to remove any loops. (Water flow will tighten the hose, creating tight loops if the hose is not straight.)
3. Securely connect the gun assembly to the high pressure hose.

NOTE: The quick-connect nozzle should NOT be connected to the gun assembly at this time. See "Nozzle Connection".

4. With the trigger gun locked in the OFF position, turn the water supply completely on. Pointing the gun in a safe direction, unlock the trigger gun and squeeze the trigger.

DANGER: RISK OF INJECTION CAUSING SEVERE INJURY! KEEP CLEAR OF NOZZLE! NEVER PLACE HAND OR FINGERS IN FRONT OF NOZZLE! DO NOT DIRECT DISCHARGE STREAM AT PEOPLE OR PETS! BE CERTAIN THE NOZZLE IS SECURELY CONNECTED TO THE LANCE TO PREVENT ACCIDENTAL DISCHARGE!

5. Low pressure water will begin flowing from the hose/gun assembly. This allows the unit to prime and purge any air from the system. The unit is primed when water flow is uninterrupted by air.
6. Once the unit is primed, release the trigger and lock the gun in the OFF position. Securely connect the desired quick-connect nozzle. (See "Nozzle Connection")

START-UP:

1. Refer to the "Safety Warnings" in the warnings section before starting the unit.
2. Locate the Safety Decals on your unit and heed their warnings.
3. With the gun locked in the OFF position, point the trigger gun away from yourself or anyone else.
4. Disengage the safety lock-off on the gun and squeeze the trigger. Low pressure water will begin flowing from the nozzle.
5. BE CERTAIN the trigger gun remains in an open position while starting the engine. Brace yourself as the gun will kickback from the high pressure created by the pump once the engine has started.
6. Refer to the Engine Manual accompanying this pressure washer for the correct procedures needed to start the engine.
7. Once the engine has started, perform the following procedures with the gun open:
 - a. Inspect for system water leaks, oil leaks and fuel leaks. If a fuel leak is found, TURN UNIT OFF IMMEDIATELY! See "Risk of Explosion or Fire". Be sure that all damaged parts are replaced and that the mechanical problems are corrected prior to operation of the unit. If you require service, contact your Customer Service.
 - b. Inspect high pressure hoses for kinking, cuts and leaks. If a cut or leak is found, DO NOT TOUCH HOSE AT LEAK!!! TURN UNIT OFF IMMEDIATELY! Replace hose before restarting the unit. See "Risk of Injection," in the warnings. Be sure that all damaged parts are replaced and that the mechanical problems are corrected prior to operation of the unit. If you require service, contact your Customer Service.
8. Be certain to LOCK the trigger gun in the OFF position whenever changing the quick-connect nozzles. NEVER look directly into the

OPERATING INSTRUCTIONS

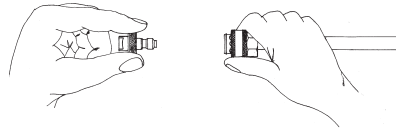
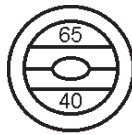
nozzle! High pressure water creates a risk of severe injury!

9. Do not allow unit to operate in bypass mode (with trigger closed) for more than three minutes without triggering the gun. Failure to follow this simple rule can cause premature failure of pump packing seals, resulting in costly pump repair.
10. Because your pressure washer delivers a high pressure spray and a variety of spray patterns, there are many cleaning jobs that can be done without the use of detergents. If a cleaning agent is required, see "Cleaning With Detergents" for the correct procedures.

CAUTION: RISK OF DAMAGE. DO NOT ALLOW SPRAY PATTERN TO REMAIN ON A FIXED AREA FOR AN EXTENDED PERIOD OF TIME. POSSIBLE DAMAGE MAY OCCUR TO THE AREA.

CLEANING WITH DETERGENTS (OPTIONAL FEATURE):

1. The Detergent Injection feature is an optional feature on this machine.
2. Refer to "Risk of Bodily Injury," and the Detergent Injector Manual which accompanies part #AW-8300-0001. Be certain to wear protective safety attire as stated in the warnings.
3. Prepare detergent solution according to label directions. Never pump acids, alkaline, abrasive fluids or solvents through the unit. Due to the unknown and often corrosive characteristics of many detergents commonly used in the pressure washer cleaning industry, it is recommended to use only mild detergents with this unit.
4. Connect the Detergent Injector to the unit as directed in the Detergent Injector Manual.



5. Adjust the amount of detergent desired by locating the adjustment knob at the end of the clear vinyl hose at the Detergent Injector. Turn the knob completely counterclockwise to set at the maximum siphon rate.
6. Immerse the strainer into the detergent solution to allow detergent to siphon.
7. Be certain the water supply is completely turned ON.
8. With the trigger gun locked in the OFF position, securely quick-connect the detergent spray nozzle (#6540° BLACK) into the end of the lance.

NOTE: This injection system is designed to apply detergents under low pressure only. It will not allow detergent solutions to be introduced into the system unless the detergent nozzle is installed in the lance.

9. To apply solution, unlock the trigger gun and squeeze the trigger. In a few moments a detergent/water mixture will exit the low pressure nozzle. Start spraying the lower portion of the surface being cleaned and move up, using long overlapping strokes. Applying from the bottom up helps avoid streaking. Allow to soak briefly. (Avoid working on hot surfaces or in direct sunlight to minimize the chances of the detergent drying, which may result in damaging painted surfaces.) Be certain to apply cleaning solution to a small section at a time.
10. To rinse: lock the trigger gun in the OFF position, securely quick-connect the 40° nozzle into the end of the lance. Unlock the trigger gun and spray. It will take about 30 seconds to purge all detergent from the line. For best rinsing results, start at the top and work down.
11. Siphon a gallon of water through the low pressure detergent injection

OPERATING INSTRUCTIONS

system after each use. This prevents the possibility of corrosion or detergent residue causing mechanical problems during the next use.

SHUTDOWN:

1. Turn engine OFF as directed in the Engine Manual.
2. Turn the water supply OFF.
3. Pointing the gun in a safe direction, trigger gun momentarily to relieve any trapped pressure.
4. Once pressure is relieved, disconnect the nozzle assembly.
5. Disconnect and drain gun, lance and hoses.
6. Wipe unit clean and store with gun, lance and hoses in a safe area.

STORAGE & MAINTENANCE

SPECIFIC MAINTENANCE:

EVAPORATIVE EMISSION COMPONENTS:

The unit you have purchased includes the following components that are in compliance with 2006 California Air Resources Board Evaporative Emission Standards;

1. Fuel Hose
2. Fuel Hose Fittings

These components should be inspected on a daily basis for cracks, leaks, and abnormal wear. If cracking, leaks or abnormal wear has occurred, the components should be replaced immediately.

ENGINE: The engine instructions that accompany your unit detail specific procedures for maintenance of the engine. Following the engine manufacturer's recommendations will extend engine work life.

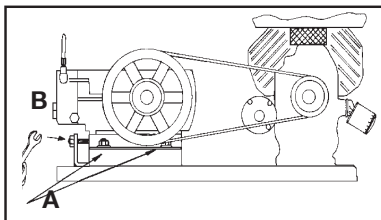
PUMP: Change the pump oil after the first 50 hours of operation. After initial change, every 3 months or 250 hour intervals are recommended. If oil appears dirty or milky, changes may be required in greater frequency. Use SAE20 or 30 Non-Detergent pump oil and fill only to the center of the oil sight glass or the "Full" mark on the dipstick. **DO NOT OVERFILL.**

QUICK COUPLERS: There is an o-ring seal inside the female quick-coupler. This o-ring will deteriorate or, if the unit is allowed to pump without the high pressure hose attached, it may be blown out occasionally. Simply insert a replacement o-ring to correct the leak. (Additional o-rings can be purchased from your dealer.)

NOZZLES: Water flow through the quick-connect spray nozzle will erode the orifice, making it larger, resulting in a pressure loss. Nozzles should be replaced whenever pressure is less than 85% of the maximum. The frequency of replacement will depend upon such variables as mineral content in the water and number of hours the nozzle is used.

BELT TENSION ADJUSTMENT: To maintain peak performance of your pressure washer, it may be necessary to adjust the belt tension on occasion. Follow the procedure outlined below.

1. Remove the belt guard and loosen the two nuts on each side of the pump (Reference A). There are a total of 4 nuts.
2. Turn the cap screw (Reference B) clockwise until a 1/4 inch belt deflection is noticed between the pulleys.
3. Tighten the side nuts (Reference A).
4. Put a straight edge across both pulleys. Pulley alignment is critical for proper performance and service life. If necessary, loosen one set of pulley screws and adjust in or out to properly align. Tighten the pulley screws and check the tension again.
5. Replace the beltguard and tighten the fasteners securely.



WINTERIZING:

For storage and transportation purposes in subfreezing ambient temperatures, it will be necessary to winterize this unit. This unit must be protected to the lowest incurred temperature for the following reasons:

1. If any part of the pumping system becomes frozen, excessive pressure may build up in the unit which could cause the unit to burst resulting in possible serious injury to the operator or bystanders.

WARNING: RISK OF UNIT BURSTING. DO NOT STORE / OPERATE UNIT IN A FREEZING ENVIRONMENT!

STORAGE & MAINTENANCE

2. The pumping system in this unit may be permanently damaged if frozen. FREEZE DAMAGE IS NOT COVERED BY WARRANTY.

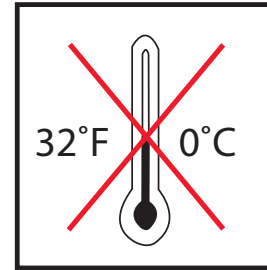
If you must store your unit in an area where the temperature may fall below 32°F, you can protect your unit by following the procedure outlined below.

1. Gather the following items:
 - a. Two 5 gallon containers.
 - b. One gallon of antifreeze. (The manufacturer recommends an environmentally safe antifreeze.)
 - c. Water supply.
 - d. Three foot hose, 1/2-3/4 I.D. with a 3/4 inch male garden hose fitting.
2. Procedure:
 - a. Shut off the unit and water supply.
 - b. Relieve system pressure by pointing the trigger gun in a safe direction and squeezing the trigger until water flow ceases to exit the nozzle.
 - c. Lock the trigger gun in an OFF position and remove the nozzle.
 - d. In one 5 gallon container, mix the antifreeze and water according to manufacturer's recommendations for the temperature to which you are winterizing.

NOTE: Proper winterizing is based on the recommended manufacturer's instructions listed on the "Protection Chart" shown on the back label of most antifreeze containers.

- e. Remove the water supply hose from the unit and attach the 3 foot hose securely to the inlet connection. Submerge the opposite end into the antifreeze solution.
 - f. Point the lance into the empty container and start the unit.
 - g. Trigger the gun until the antifreeze begins to exit the lance. Release the trigger for 3 seconds; then, trigger the gun for 3 seconds. Continue cycling the gun several times until all the antifreeze mixture is siphoned from the container.
 - h. Detach the 3 foot hose from the unit and drain any excess antifreeze back into a 5 gallon container.
 - i. Disconnect the hose/gun/lance assembly from the unit and drain any excess antifreeze back into a 5 gallon container.
 - j. Store the hose, gun and lance with the unit in a safe area.
 - k. Store antifreeze solution for next use or dispose of according to state EPA laws.
3. Optional procedure:
 - a. Shut off the unit and water supply.
 - b. Relieve system pressure by pointing the trigger gun in a safe direction and squeezing the trigger until water flow ceases to exit the nozzle.
 - c. Disconnect and drain the hose, gun and lance.
 - d. Start the unit and allow it to run until all the water exits the unit. Once the water has stopped flowing from the unit, turn the unit off.

NOTE: When using this procedure, caution should be used as ice chips can form from drops of water which could cause the unit to burst if starting before completely thawed.



TROUBLESHOOTING

SYMPTOM	PROBABLE CAUSE	SYMPTOM
Engine will not start.	Various engine problems.	Refer to the Engine Manual accompanying your unit.
	Unit components are frozen.	Allow to thaw. If any part of the unit becomes frozen, excessive pressure may build up in the unit which could cause the unit to burst resulting in possible serious injury to the operator or bystanders.
No discharge at nozzle when trigger mechanism is squeezed.	Inadequate water supply.	Ensure hose is 3/4" diameter and incoming water supply is turned on.
	Kink in water inlet hose.	Remove kink.
Low or fluctuating pressure..	Kink in high pressure discharge hose.	Replace kinked high pressure hose.
	Water inlet screen obstructed.	Remove screen, clean or replace
	Pump sucking air (prime eliminated).	Tighten all water intake connections. Eliminate leaks in intake line. Re-prime.
	Not in high pressure mode.	Insert high pressure nozzle.
	Obstructed or worn spray nozzle.	Remove, clean or replace.
	Damaged or obstructed valve assy. on pump.	Remove, inspect, clean or replace.
	Pump packings worn.	Replace packings.
	Bypass valve not operating correctly.	Repair or replace.
Water is leaking from the "Thermal Relief Valve".	Water temperature is too high.	Do not allow unit to operate the bypass mode with trigger gun closed) for more than three minutes.
	Defective valve.	Replace.
Oil appears milky or foamy.	Water in oil.	Change pump oil. Fill to proper level.
Oil leaking from unit.	DO NOT USE.	Contact your Customer Service.
Detergent will not siphon into Low Pressure Detergent mode. (Optional Feature.)	Detergent strainer is not completely submerged in detergent solution.	Check, submerge if necessary.
	Detergent strainer obstructed.	Inspect, clean or replace.
	Detergent hose cut, obstructed or kinked.	Inspect, clean or replace.
	Detergent adjusting knob turned to closed position.	Open adjusting knob. Refer to "Cleaning with Detergents".
	Detergent nozzle not being used.	Insert 6540° (BLACK) nozzle.
	Nozzle assembly is plugged.	Clean or replace.
	Too many high pressure hose extensions attached to the water outlet.	Use one extension maximum.
Water flows back into detergent container.	Ball & Spring in Venturi stuck.	Remove, clean or replace.
	Ball & Spring in Venturi reversed, missing or corroded.	Remove, clean or replace.
Water flows from the nozzle when the trigger gun is locked in the OFF position.	Gun is malfunctioning.	Repair or replace.
Water is leaking at safety relief.	Safety Relief/ Burst disk is ruptured caused by an unloader malfunction.	Replace safety Relief/ Burst disk. NEVER run unit without safety Relief/ Burst disk. Doing so can cause an explosion! Detect and correct unloader problem.

STATEMENT OF WARRANTY

The manufacturer warrants all parts, (except those referred to below), of your new CWC-Series pressure washer to be free from defects in materials and workmanship during the following periods:

For Lifetime against freezing and cracking:

Pump Manifold

For Seven (7) Years from the date of original purchase:

High Pressure Pump

For Two (2) Years from the date of original purchase:

Cart Assembly Pulleys

Plumbing

For One (1) Year from the date of original purchase:

GFCI Cord Selector Switch

Starter Contactor Overload

For Ninety (90) Days from the date of original purchase:

Trigger Gun/Wand High Pressure Hose

Unloader Valve Strainer/Filter

Defective parts not subject to normal wear and tear will be repaired or replaced at our option during the warranty period. In any event, reimbursement is limited to the purchase price paid.

EXCLUSIONS

1. Engine is covered under separate warranty by its respective manufacturer and is subject to the terms set forth therein.
2. Normal wear parts:
Pump Packings Spray Nozzles Quick Couplings/Screw Connects
Pump Valves O-rings Detergent Valves Belts
3. This warranty does not cover parts damaged due to normal wear, misapplication, misuse, operation at other than recommended speeds, pressures or temperature. Parts damaged or worn because of the use of caustic liquids or by operation in abrasive or corrosive environments or under conditions causing pump cavitation are not warranted. Failure to follow recommended operating and maintenance procedures also voids warranty.
4. The use of other than Genuine Repair Parts will void warranty. Parts returned, prepaid to our factory or to an Authorized Service Center will be inspected and replaced free of charge if found to be defective and subject to warranty. There are no warranties which extend beyond the description of the face hereof. Under no circumstances shall manufacturer bear any responsibility for loss of use of the unit, loss of time or rental, inconvenience, commercial loss or consequential damages.

CALIFORNIA EVAPORATIVE EMISSIONS CONTROL WARRANTY STATEMENT YOUR WARRANTY RIGHTS AND OBLIGATIONS

The California Air Resources Board and the manufacturer are pleased to explain the emission control system's warranty on your 2024/2025 small off-road engine/equipment (SORE). In California, new equipment that use small off-road engines must be designed, built and equipped to meet the State's stringent anti-smog standards. The manufacturer must warrant the evaporative emissions control system (EECS) on your SOREs for the period listed below provided there has been no abuse, neglect or improper maintenance of your equipment leading to the failure of the evaporative emission control system.

Your EECS may include parts such as the carburetor, fuel tanks, fuel lines (for liquid fuel and fuel vapors), fuel caps, valves, canisters, filters, clamps, connectors, and other associated components. Where warrantable conditions exist, the manufacturer will repair your small off-road engine at no cost to you including diagnosis, parts and labor.

MANUFACTURER'S WARRANTY COVERAGE:

This EECS is warranted for two years. If any evaporative emissions-related part on your small off-road engine/equipment is defective, the part will be repaired or replaced by the manufacturer.

OWNER'S WARRANTY RESPONSIBILITIES:

-As the SORE owner, you are responsible for performance of the required maintenance listed in your owner's manual. The manufacturer recommends that you retain all receipts covering maintenance on your SORE, but the manufacturer cannot deny warranty coverage solely for the lack of receipts.

-As the SORE owner, you should be aware that the manufacturer may deny you warranty coverage if your SORE or a part has failed due to abuse, neglect, or improper maintenance or unapproved modifications.

-You are responsible for presenting your SORE to distribution center or service center authorized by the manufacturer, 50 Mi-T-M Drive, Peosta, IA 52068 (herein Mi-T-M) as soon as the problem exists. The warranty repairs shall be completed in a reasonable amount of time, not to exceed 30 days.

If you have a question regarding your warranty coverage, you should contact Customer Service Department at 1-800-553-9053 or by emailing us at corp@mitm.com.

GENERAL EMISSIONS WARRANTY COVERAGE - CALIFORNIA ONLY -

The manufacturer warrants to the ultimate purchaser and each subsequent purchaser that the SORE (1) has been designed, built and equipped so as to conform with all applicable regulations; and (2) is free from defects in materials and workmanship that cause the failure of a warranted part to conform with those regulations as may be applicable to the terms and conditions stated below.

(a) The warranty period begins on the date the engine is delivered to an ultimate purchaser or first placed into service. The warranty period is two years.

(b) Subject to certain conditions and exclusions as stated below, the warranty on emissions related parts is as follows:

(1) Any warranted part that is not scheduled for replacement as required maintenance in your owner's manual is warranted for the warranty period stated above. If the part fails during the period of warranty coverage, the part will be repaired or replaced by the manufacturer according to subsection (4) below. Any such part repaired or replaced under warranty will be warranted for the remainder of the period.

(2) Any warranted part that is scheduled only for regular inspection in your owner's manual is warranted for the warranty period stated above. Any such part repaired or replaced under warranty will be warranted for the remaining warranty period.

(3) Any warranted part that is scheduled for replacement as required maintenance in your owner's manual is warranted for the period of time before the first scheduled replacement date for that part. If the part fails before the first scheduled replacement, the part will be repaired or replaced by the manufacturer according to subsection (4) below. Any such part repaired or replaced under warranty will be warranted for the remainder of the period prior to the first scheduled replacement point for the part.

(4) Repair or replacement of any warranted part under the warranty provisions herein must be performed at a warranty station at no charge to the owner.

(5) Notwithstanding the provisions herein, warranty services or repair will be provided at all of our distribution centers that are franchised to service the subject engines.

(6) The owner must not be charged for diagnostic labor that leads to the determination that a warranted part is in fact defective, provided that such diagnostic work is performed at a warranty station.

(7) Throughout the engine warranty period stated above, the manufacturer will maintain a supply of warranted parts sufficient to meet the expected demand for such parts.

(8) Any replacement parts that do not increase the exhaust or evaporative emissions of the engine or evaporative emission control system must be used in the performance of any warranty maintenance or repairs and must be provided without charge to the owner. Such use will not reduce the warranty obligations of the manufacturer.

(9) Add-on or modified parts that are not exempted by the Air Resources Board may not be used. The use of any non-exempted add-on or modified parts by the ultimate purchaser will be grounds for disallowing a warranty claims. The manufacturer will not be liable to warrant failures of warranted parts caused by the use of a non-exempted add-on or modified part.

(10) The manufacturer shall provide any documents that describe that the manufacturer's warranty procedures or policies within five working days of request by the Executive Officer.

(c) WARRANTED PARTS:

The repair or replacement of any warranted part otherwise eligible for warranty coverage may be excluded from such warranty coverage if the manufacturer demonstrates that the engine has been abused, neglected, or improperly maintained, and that such abuse, neglect, or improper maintenance was the direct cause of the need for repair or replacement of the part. That notwithstanding, any adjustment of a component that has a factory installed, and properly operating, adjustment limiting device is still eligible for warranty coverage. The following emissions warranty parts list are covered.

- (1) Fuel Tank*
- (2) Fuel Cap
- (3) Fuel Lines (for liquid fuel and fuel vapors)
- (4) Fuel Line Fittings
- (5) Clamps*
- (6) Pressure Relief Valves*
- (7) Control Valves*
- (8) Control Solenoids*
- (9) Electronic Controls*
- (10) Vacuum Control Diaphragms*
- (11) Control Cables*
- (12) Control Linkages*
- (13) Purge Valves*
- (14) Gaskets*
- (15) Liquid/Vapor Separator
- (16) Carbon Canister
- (17) Canister Mounting Brackets
- (18) Carburetor Purge Port Connector

* Note: As they relate to the evaporative emission control system.

TABLA DE CONTENIDO

INTRODUCCIÓN	24
ADVERTENCIAS DE SEGURIDAD	25
RIESGO DE INCENDIO O EXPLOSIÓN.....	25
RIESGO DE ASFIXIA	25
RIESGO DE INYECCIÓN O LESIÓN POR CORTADURA SEVERA	26
RIESGO DE ELECTROCUCIÓN O CHOQUE ELÉCTRICO	26
RIESGO DE QUEMADURAS	26
RIESGO DE EXPLOSIÓN	27
RIESGO POR PARTES EN MOVIMIENTO	27
RIESGO DE LESIONES	27
ELEMENTOS Y COMPONENTES	29
FEATURES LISTING	29
CALCOMANIAS DE SEGURIDAD	30
INSTALACIÓN Y PREPARACIÓN	31
PREPARACIÓN INICIAL:	31
TANQUES DE COMBUSTIBLE DEL MOTOR:	31
BOQUILLAS DE CONEXION RAPIDA:	32
CONEXION DE LA BOQUILLA:	33
SUMINISTRO DE AGUA:.....	33
DESCARGADOR:	34
VÁLVULA PARA DISIPAR CALOR:	34
PROCEDIMIENTOS DE INSPECCIÓN ANTES DEL ENCENDIDO:	34
INSTRUCCIONES DE OPERACION	36
CEBADO DE LA BOMBA:	36
ARRANQUE:.....	36
LIMPIEZA CON DETERGENTES (OPCIONAL):.....	37
APAGADO:	38
ALMACENAMIENTO Y MANTENIMIENTO	39
MANTENIMIENTO ESPECÍFICO:	39
PREPARACION PARA EL INVIERNO:	39
LOCALIZACION DE FALLAS	41
DECLARACIÓN DE GARANTÍA	43

⚠ ADVERTENCIA

⚠ **ADVERTENCIA:** Este producto puede exponerlo a productos químicos, incluido el plomo, que el Estado de California conoce a causar cáncer y defectos congénitos u otros daños reproductivos. Para obtener más información, visite www.P65Warnings.ca.gov

⚠ ADVERTENCIA

⚠ **ADVERTENCIA:** Este producto puede exponerle a químicos incluyendo carbon monoxide, que es conocido por el Estado de California como causante de defectos de nacimiento u otros daños reproductivos. Para mayor información, visite www.P65Warnings.ca.gov.

INTRODUCCIÓN

¡Felicitaciones por la compra de su nueva lavadora a presión! Puede estar seguro que su lavadora a presión fue construida con el nivel más alto de precisión y exactitud. Cada componente ha sido probado rigurosamente por técnicos para asegurar la calidad, la resistencia y el rendimiento de esta unidad. Con más de veinte años de experiencia en la construcción de lavadoras a presión, usted ha tomado una sabia decisión en seleccionar una lavadora a presión.

Este manual del operador fue compilado para su beneficio. Leyendo y siguiendo los pasos simples de seguridad, instalación, operación, mantenimiento y localización de fallas descritos en este manual ayudará a prolongar aun más la operación libre de fallas que usted puede esperar de su nueva lavadora a presión. El contenido de este manual está basado en la información actualizada disponible al momento de la publicación. El fabricante se reserva el derecho de efectuar cambios en precio, color, materiales, equipo, especificaciones o modelos en cualquier momento sin previo aviso.

¡IMPORTANTE!

Estos párrafos están rodeados por un “Cuadro de Aviso de Seguridad”. Este cuadro se usa para especificar y enfatizar las advertencias de seguridad que se deberán cumplir al operar esta lavadora a presión. Junto con las Advertencias de Seguridad se encuentran “palabras claves” que designan el grado o nivel de riesgo. Las “palabras claves” usadas en este manual son las siguientes:

PELIGRO: INDICA UNA SITUACIÓN INMINENTEMENTE PELIGROSA QUE, DE NO EVITARSE, CAUSARÁ LESIONES GRAVES O FATALES.

ADVERTENCIA: INDICA UNA SITUACIÓN POTENCIALMENTE PELIGROSA QUE, DE NO EVITARSE, PODRÍA CAUSAR LESIONES GRAVES O FATALES.

PRECAUCIÓN: INDICA UNA SITUACIÓN POTENCIALMENTE PELIGROSA QUE, DE NO EVITARSE, PODRÍA CAUSAR UNA LESIÓN MENOR O MODERADA.

Los símbolos a la izquierda de este párrafo son “símbolos de aviso de seguridad”. Estos símbolos se usan para señalar puntos o procedimientos que podrían ser peligrosos para usted o para otras personas que usen este equipo.



Siempre proporcione una copia de este manual a quien use este equipo, lea todas las instrucciones antes de operar esta lavadora a presión y especialmente señale las “advertencias de seguridad” para prevenir posibles lesiones al operador. ¡Sólo los operadores que estén capacitados deben usar este producto!

Una vez que haya sacado la unidad de su caja, anote inmediatamente el número de serie en el espacio proporcionado a continuación.

NÚMERO DE SERIE: _____

Debe inspeccionar el equipo para determinar si hay señas de daño evidente o oculto ocurrido durante la transportación. Si se encuentra algún daño, presente una queja con la compañía de transportación inmediatamente. Asegúrese de que todas las partes dañadas sean reemplazadas y que los problemas mecánicos y eléctricos sean corregidos antes de operar la unidad. Si requiere de servicio, llame a la oficina de servicio a clientes.

Servicio a clientes

¡Llame a nuestro número telefónico de larga distancia gratuita para averiguar cuál es el centro de ventas o servicio más cercano a usted! (800) 553-9053

Por favor, prepare la siguiente información cada vez que efectúe una llamada de servicio:

1. Número de modelo
2. Número de serie
3. Fecha y lugar de compra

ADVERTENCIAS DE SEGURIDAD

RIESGO DE INCENDIO O EXPLOSIÓN

Pueden ocurrir lesiones graves o fatales ocasionadas por chispas normales en las fuentes de motor ignición sistema o silencer.

Siempre opere la lavadora en una área bien ventilada libre de vapores inflamables, polvo combustible y gases o materiales combustibles.

No almacene la lavadora a presión cerca de una llama abierta o equipo como hornos, calefactores, calentadores de agua, etc., que usen una llama piloto o dispositivo de encendido por chispa.

¡No use esta lavadora a presión para atomizar material inflamable!

Pueden ocurrir lesiones graves o fatales como consecuencia de un procedimiento inadecuado al reabastecer de combustible.

No fume mientras llene los tanques de combustible.

Nunca llene los tanques de combustible mientras el motor aún esté en marcha o esté caliente. Permita que el motor se enfríe dos minutos antes de volver a cargar combustible.

No llene los tanques de combustible en interiores o en una área con poca ventilación.

Siempre vierta el combustible lentamente para evitar la posibilidad de un derrame, lo cual podría provocar un incendio.

Tanque de combustible del motor de gasolina (rojo):

Si se usa un motor de gasolina, llene únicamente con gasolina. No use diesel ni petróleo o aceite combustible.

Pueden ocurrir lesiones graves o fatales a causa de la batería cuando usando el arranque eléctrico.

No opere la unidad si se derrama gasolina o combustible de diesel. Con un paño, limpie completamente la lavadora a presión y aléjela del derrame. Evite crear cualquier ignición hasta que el combustible de gasolina o diesel se haya evaporado.

Cuando la batería se esté activando, los gases de hidrógeno y oxígeno son extremadamente explosivos. Mantenga alejadas todas las chispas y flamas de la batería en todo momento, especialmente cuando esté cargando la batería.

Asegúrese de desconectar la terminal de tierra de la batería antes de un servicio de mantenimiento. Cuando desconecte el cable de la batería, comience con la terminal negativa, y al conectarlos, comience con la terminal positiva.

Pueden ocurrir lesiones graves o fatales como consecuencia de un incendio al ras de tierra ocasionado por una chispa del silenciador.

Cuando cargue la batería, quite los tapones de ventilación de la batería.

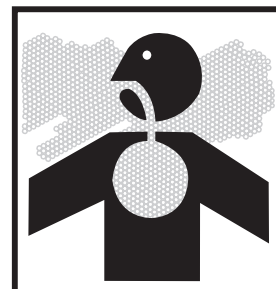
Solo use un voltímetro o densímetro para verificar la carga de batería.

NO pase corriente de una batería a otra, a menos que ambas baterías sean de voltaje y amperaje equivalentes.

Se debe agregar un parachispas al silenciador de este motor si se va a usar sobre terrenos sin construir de bosques, o cubiertos de maleza o pasto. El parachispas deberá ser mantenido en buen funcionamiento por el operador. En el estado de California, lo anterior es obligatorio por ley. (Sección 4442 del Código de Recursos Públicos de California). Otros estados quizá tengan leyes similares. En terrenos federales se aplican las leyes federales.

RIESGO DE ASFIXIA

Pueden sufrirse lesiones graves o fatales como consecuencia de la inhalación de gases del escape del motor o vapores peligrosos. El gas que emana del escape de este producto contiene sustancias químicas identificadas por el Estado de California como agentes que provocan cáncer, defectos de nacimiento o daños reproductivos.

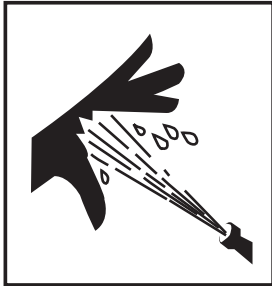


ADVERTENCIAS DE SEGURIDAD

Esta lavadora a presión fue diseñada para uso externo únicamente. Nunca opere esta lavadora a presión en una área cerrada. Siempre asegúrese de que exista ventilación adecuada (aire externo fresco) para la respiración y la combustión. Esto impedirá la acumulación de gases peligrosos de monóxido de carbono. Tenga cuidado en las áreas de poca ventilación, o áreas con ventiladores de extracción que pueden provocar un intercambio deficiente de aire.

Obedezca todas las instrucciones proporcionadas con los materiales que está rociando. Quizá sea necesario usar un respirador cuando se trabaje con ciertos materiales. No use esta lavadora a presión para distribuir detergentes peligrosos.

RIESGO DE INYECCIÓN O LESIÓN POR CORTADURA SEVERA



Pueden sufrirse lesiones graves o fatales debido al contacto con la electricidad.

¡Manténgase completamente alejado de la boquilla y el atomizador! Nunca coloque la mano, los dedos o el cuerpo directamente sobre la boquilla de rocío.

Nunca apunte el atomizador alta presión hacia usted mismo o hacia otra persona.

Siempre mantenga el área de trabajo despejada de personas.

NO PERMITA que algún niño opere esta unidad.

¡BUSQUE ATENCIÓN MÉDICA DE EMERGENCIA si parece que el rocío ha penetrado la piel! ¡No lo trate como una simple cortadura!

Debe inspeccionar diariamente las mangueras de alta presión y las líneas de combustible para buscar señales de desgaste. Si hay evidencia de falla, reemplace inmediatamente todas las mangueras y líneas de combustible sospechosas para prevenir la posibilidad de lesiones por el rocío a alta presión. Si una manguera o conexión tiene alguna fuga, NO COLOQUE SU MANO DIRECTAMENTE SOBRE LA FUGA.

NUNCA opere la pistola con el gatillo fijado en la posición abierta. Para prevenir una descarga accidental, la pistola debe tener bien trabado el seguro del gatillo cuando no se encuentre en uso.

Antes de retirar la boquilla de rocío o dar servicio a la unidad, apague la unidad y tire del gatillo de la pistola para liberar la presión. (Aun cuando apague la unidad, todavía quedará agua a alta presión en la bomba, la manguera y la pistola hasta que la libere jalando el gatillo de la pistola.)

Pueden sufrirse lesiones graves o fatales debido al contacto con la electricidad.

RIESGO DE ELECTROCUCIÓN O CHOQUE ELÉCTRICO



¡NO dirija el rocío hacia instalaciones eléctricas de ninguna clase! Esto incluye tomas eléctricas, lámparas, cajas de fusibles, transformadores, la unidad misma, etc.

NO permita que los componentes de metal de la lavadora a presión entren en contacto con componentes eléctricos cargados.

RIESGO DE QUEMADURAS



Pueden producirse lesiones graves si se toca el motor de gasolina, el silenciador. Estas áreas pueden permanecer calientes por algún tiempo después de que se ha apagado la lavadora a presión.

Nunca permita que ninguna parte de su cuerpo haga contacto con el motor de gasolina, el silenciador o áreas adyacentes.

ADVERTENCIAS DE SEGURIDAD

RIESGO DE EXPLOSIÓN

Pueden producirse lesiones graves debido al mal funcionamiento de la lavadora a presión o la explosión de accesorios si se usan componentes, aditamentos o accesorios que no correspondan al sistema.

Nunca haga ajustes a las presiones configuradas en la fábrica.

Nunca exceda la máxima graduación de presión de los accesorios permitida por el fabricante.

No permita que alguna de las mangueras haga contacto con el silenciador del motor, el motor de gasolina o el intercambiador de calor para prevenir la posibilidad de explosión. No arrastre las mangueras sobre superficies abrasivas como el cemento.

Pueden ocurrir lesiones graves o fatales si no se mantienen correctamente los dispositivos de seguridad del sistema.

Solo use las partes de reparación para su lavadora a presión recomendadas por el fabricante.

Esta lavadora a presión tiene una dispositivos de seguridad (disco de estallido) que nunca deben ser alterados, modificados, extraídos o desconectados. Si falla el dispositivo, reemplácelo inmediatamente con un repuesto genuino del fabricante.

Pueden producirse lesiones graves o fatales si se intenta arrancar la lavadora a presión cuando esté congelada la bomba.

En temperaturas de congelación, la unidad siempre deberá permanecer lo suficientemente caliente como para asegurar que no haya formación de hielo en la bomba. No arranque la lavadora a presión si ha sido transportada en un vehículo abierto o de calefacción deficiente, sin primero permitir que la bomba se descongele.

RIESGO POR PARTES EN MOVIMIENTO

El operador puede sufrir de lesiones graves si hace contacto con las partes en movimiento de la lavadora a presión. Antes de hacer cualquier ajuste, asegúrese de que el motor esté apagado, esté seguro que el cable positivo de la batería está desconectado, y que el cable o los cables de ignición estén separados de las bujías de ignición. Al voltear la máquina manualmente durante el ajuste o la limpieza puede arrancar el motor y junto con él, la máquina. No opere la unidad sin que todas las cubiertas protectoras se encuentren en su lugar.

RIESGO DE LESIONES

Pueden ocurrir lesiones graves o fatales si los detergentes entran en contacto con la piel.

¡BUSQUE ATENCIÓN MÉDICA DE EMERGENCIA si está usando agentes de limpieza y siente que el rocío ha penetrado la piel! ¡NO LO TRATE COMO UNA SIMPLE CORTADURA! Lea la hoja de datos de seguridad del material (MSDS) proporcionada con su detergente para estar preparado y poder informar a su médico exactamente qué tipo de detergentes estaba usando.

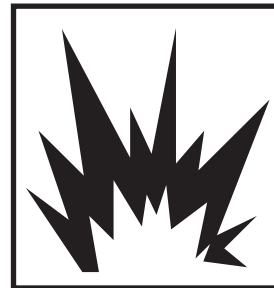
Nunca use solventes o detergentes altamente corrosivos o limpiadores de tipo ácido con esta lavadora a presión.

Se aconseja usar equipo protector como trajes de goma, guantes y respiradores, especialmente cuando se usen detergentes limpiadores.

¡Mantenga todos los detergentes fuera del alcance de los niños!

SIEMPRE use gafas protectoras cuando opere la unidad para proteger sus ojos contra residuos y detergentes lanzados al aire.

Pueden ocurrir lesiones graves provocadas por partículas sueltas proyectadas a gran velocidad a través la pistola atomizadora.



ADVERTENCIAS DE SEGURIDAD



NO DIRIJA el atomizador hacia materiales frágiles tales como vidrio, ya que podría ocasionar su ruptura.

Manténgase alerta — vigile lo que esté haciendo. No opere la unidad cuando esté fatigado o bajo la influencia de alcohol o drogas.

NUNCA apriete el gatillo a menos de que esté firmemente parado.

NO se estire demasiado ni se pare sobre un soporte inestable.

Pueden ocurrir lesiones si el operador pierde el equilibrio causado por el impulso del agua que está atravesando la boquilla de rocío.

Las superficies mojadas pueden estar resbaladizas, use equipo protector y mantenga un punto de apoyo y buen equilibrio en todo momento.

NUNCA accione la pistola mientras se encuentre en una escalera o sobre un techo.

SIEMPRE sostenga firmemente el conjunto de pistola/varilla cuando arranque y opere la unidad. No hacerlo podría provocar que la varilla se caiga y se azote peligrosamente.

Sepa como detener la lavadora a presión y aliviar las presiones rápidamente. Familiarícese por completo con estos controles.

Pueden ocurrir lesiones provocadas por la lavadora a presión.

NO permita que la unidad presurizada permanezca sola. Apague la lavadora de presión y libere la presión antes de irse.

NO OPERE la unidad si detecta fugas de combustible, aceite o agua de la máquina. NO reanude la operación hasta que la unidad haya sido inspeccionada y reparada por un técnico capacitado para el servicio.

NUNCA accione la unidad con el regulador desconectado ni opere a velocidades excesivas.

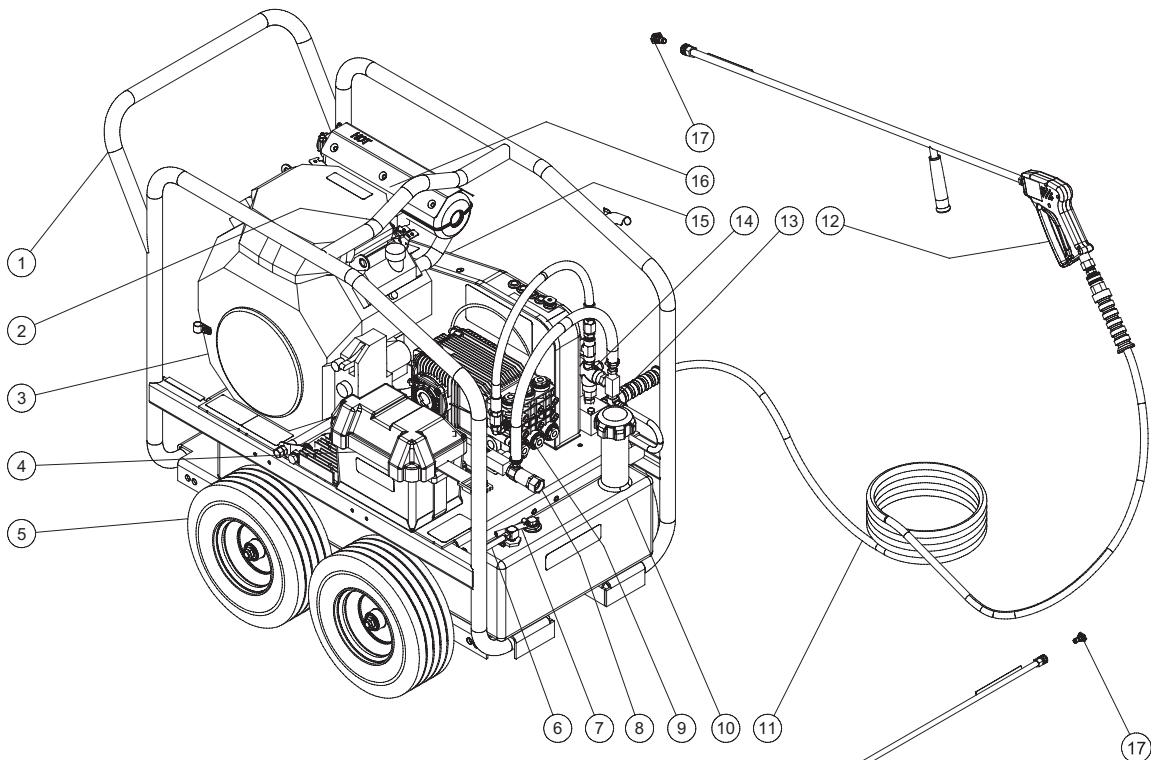
Coloque la unidad sobre una superficie limpia, seca y plana para darle servicio. Antes de dar mantenimiento a la unidad, apáguela, alivie la presión de agua apretando el gatillo de la pistola, y permita que la unidad se enfríe. Realice el mantenimiento en un área limpia, seca y plana. Donde sea necesario, bloquee las ruedas para prevenir el movimiento de la unidad.

No mueva la unidad tirando de la manguera.

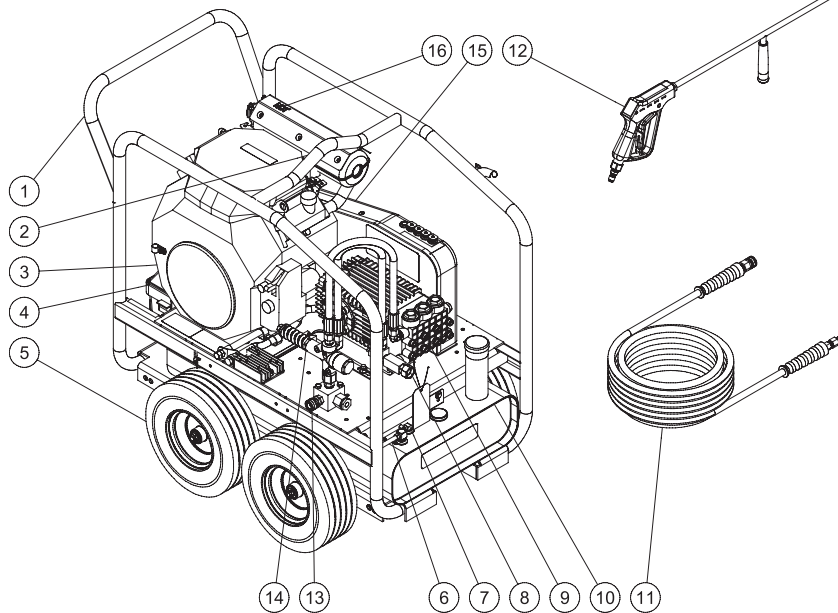
⚠ ¡CONSERVE ESTAS INSTRUCCIONES! ⚠

ELEMENTOS Y COMPONENTES

CWC FEATURES 120717 ADR



CWC-7004 FEATURES 031116 RSW



FEATURES LISTING

- | | |
|--|-------------------------------------|
| 1. Tirador | 10. Tanque de combustible |
| 2. Gancho alzamiento | 11. Manguera de alta presión |
| 3. Motor | 12. Pistola de gatillo |
| 4. Batería | 13. Auzilio de seguridad |
| 5. Ruedas neumaticos | 14. Descargador |
| 6. Desconecta de la linea de combustible | 15. Freno |
| 7. Manguera del vapor | 16. Frasco del control de emisiones |
| 8. Tamiz de entrada de agua | 17. Acoples rapidos boquilla |
| 9. Bomba | |

CALCOMANIAS DE SEGURIDAD
NO RETIRE LAS CALCOMANIAS DE SEGURIDAD DE LA UNIDAD A MENOS QUE LAS REEMPLACE POR LAS CALCOMANIAS DE SEGURIDAD MAS RECIENTES!

Calcomanía- Precaucion:
 Combustible del gasolina (Pieza No. 34-0835)

⚠ CAUTION	⚠ PRECAUCION
RISK OF FIRE Do not add fuel when this product is operating or is still hot. USE GASOLINE ONLY. DO NOT USE DIESEL OR FUEL OIL! <small>34-0835/062217</small>	 RISQUE DE FEUGO No agregue combustible cuando este producto esta funcionando o todavia sta caliente. USO GASOLINA SOLAMENTE. NO USO DIESEL O FUEL OIL!

Calcomanía- Precaucion:
 Bateria (Pieza no. 34-0848)

⚠ CAUTION	⚠ PRECAUCION
RISK OF INJURY Disconnect battery ground terminal before servicing. <small>34-0848/072612</small>	RIESGO DE LESIONES Antes de servicio, desconecte la terminal de la bateria fundamento.

Calcomanía-Advertencia: Riesgo de inyección (Pieza No. 34-1253)

⚠ WARNING	⚠ ADVERTENCIA
 RISK OF INJECTION OR SEVERE INJURY Never put your hand, fingers or body directly over the spray nozzle. <small>34-1253/07272012</small>	RIESGO DE INYECCIÓN O LESIÓN SEVERA Nunca coloque la mano, los dedos o el cuerpo directamente sobre la boquilla de rocío.

Calcomanía- Advertencia:
 Guarda correa en lugar (Pieza No. 34-0826)

⚠ WARNING/ADVERTENCIA	
Do not operate unit without beltguard in place.	No opere la unidad sin todas la cubierta correa en su sitio. <small>34-0826/07262012</small>

Calcomanía- Advertencia:
 Silenciador caliente (Pieza No.34-0598)

⚠ WARNING/ADVERTENCIA	
RISK OF BURNS Muffler and adjacent areas may exceed 150°F. <small>34-0598/07262012</small>	 RIESGO DE QUEMAR El amortiguador y las areas adyacentes pueden Tener temperaturas por arriba de 65°C.

Calcomanía- Advertencia/ Precaucion (Part #34-0812)

⚠ WARNING/ADVERTENCIA	⚠ CAUTION/PRECAUCION
<ul style="list-style-type: none"> ⚠ WARNING: Cancer and Reproductive Harm — www.P65warnings.ca.gov/ •RISK OF INJECTION OR SEVERE INJURY: Keep clear of nozzle. Do not direct spray toward any person or self. This machine is to be used only by qualified operators. •RISK OF ASPHYXIATION: Outdoor use only required. •RISK OF FIRE: Do not smoke while refueling. Allow to cool two to three minutes before refueling. Do not operate while refueling. •RISK OF ELECTROCUTION: Do not direct spray toward any electrical connections, outlets or power lines. •RISK OF EXPLOSION: Do not spray flammable liquids or in an area containing combustible dust, liquids or vapors. •RISK OF INJURY: Use only properly rated equipment. 	<ul style="list-style-type: none"> •TO REDUCE RISK OF INJURY: Read and understand the operation manual and all instructions before using. •STAY ALERT: Hold onto gun/wand firmly with both hands to avoid dangerous kickbacks. •Always wear eye protection. •Do not overreach or stand on unstable support. Keep good footing and balance at all times. •Always turn on water supply to pump before starting. •Protect pump from freezing. •Engage trigger safety lock-off when not in use.
<ul style="list-style-type: none"> ⚠ ADVERTENCIA: Peligro de cáncer y daño reproductivo — www.P65warnings.ca.gov/ •RIESGO DE INYECCION O LESION SEVERA: Mantenga la boquilla despejada. No dirija el chorro hacia persona alguna o hacia usted. •RIESGO DE ASFIXIA: Unicamente para uso en el exterior. •RIESGO DE FUEGO: No fume mientras este reabasteciendo de combustible. Permita que le motor se enfrie dos o tres minutos antes del reabastecimiento. No opere el productor durante el reabastecimiento. •RIESGO DO ELECTROCUCION: No dirija el chorro hacia conexiones elctricas, tomas de corriente o lineas de alimentacion de corriente. •RIESGO DO EXPLOSION: No rocía líquidos inflamables. •RIESGO DE LESION: Use unicamente equipo con clasificacion adecuada. 	<ul style="list-style-type: none"> •PARA REDUCIR EL RIESGO DE QUE OCURRAN LESIONS: Lea y entienda el manual de operacion y todas las instrucciones antes de usar el producto. •PERMANIZCA ALERTA: Sostenga la pistola varilla firmemente con ambas manos para evitar golpes de retorciso peligroso. •Use siempre proteccion ocular. •No se extienda demasiado o se pare en un apoyo inestable. Mantenga una buena posicion y balance todo el tiempo. •Antes de comenzar, abra siempre el suministro de agua a la bomba. •Proteja la bomba de la congelacion. •Coloque el seguro del gatillo en la posicion apagado cuando no este usando el producto.
	<small>34-0812/071218</small>

INSTALACIÓN Y PREPARACIÓN

VESTIMENTA:

Es importante usar ropa apropiada para su seguridad. Se aconseja usar cualquier medic necesario para proteger los ojos, las orejas y la piel. Posiblemente requiera equipo adicional de seguridad (como un respirador) cuando use detergentes limpiadores con esta lavadora.



PREPARACIÓN INICIAL:

1. Este aparato debe quedar siempre colocado sobre una superficie nivelada para asegurar la lubricación apropiada del motor y de la bomba de agua durante la operación.

⚠️ ADVERTENCIA ¡RIESGO DE ASFIXIA! ¡USE ESTE PRODUCTO ÚNICAMENTE EN ÁREAS BIEN VENTILADAS!

⚠️ NO OPERE EN UNA ÁREA ENCERRADA. EL ESCAPE EXPULSA MONÓXIDO DE CARBONO, UN GAS VENENOSO INODORO E INVISIBLE. RESPIRAR ESTE GAS PUEDE PROVOCAR LESIONES GRAVES, ENFERMEDAD O POSIBLE MUERTE.

2. No use esta unidad en un área:
 - a. sin suficiente ventilación
 - b. donde haya evidencia de fugas de aceite, gas o combustible.
 - c. donde pueda haber presencia de vapores inflamables.

⚠️ PELIGRO ¡RIESGO DE EXPLOSIÓN O INCENDIO! CUANDO SE CARGAN BATERÍAS, ÉSTAS GENERAN UN GAS DE HIDRÓGENO ALTAMENTE EXPLOSIVO. ¡UNA CHISPA PODRÍA CAUSAR UNA EXPLOSIÓN O UN INCENDIO! NO ARRANQUE LA BATERÍA CON FUENTE DE ENERGÍA AUXILIAR A MENOS DE QUE AMBAS BATERÍAS SEAN DE VOLTAJE O AMPERAJE EQUIVALENTES. NO FUME NI PERMITA QUE HAYA CHISPAS O LLAMAS CERCA DE LA BATERÍA. NO COLOQUE LA UNIDAD EN UNA ÁREA DONDE PUEDAN EXISTIR VAPORES INFLAMABLES. UNA CHISPA PODRÍA PROVOCAR UNA EXPLOSIÓN O UN INCENDIO.

⚠️ PELIGRO ¡RIESGO DE LA EXPLOSIÓN DE LA UNIDAD! ¡NO ALMACENE/OPERE LA UNIDAD EN AMBIENTES DE CONGELACIÓN!

3. Si tiene ruedas, asegúrese de bloquearlas para evitar que la unidad se mueva durante la operación.
4. No permita que la unidad quede expuesta a la lluvia, la nieve o temperaturas de congelación. Si alguna parte de la unidad se congela, es posible que se acumule una presión excesiva en la unidad, lo cual podría provocar su estallido y consecuentemente posibles lesiones al operador o las personas alrededor.
5. Debe revisarse el nivel de aceite de la bomba debe revisarse antes de cada aplicación. Revise el palito o indicador de nivel de aceite en el cárter de la bombas Aceite de detergente 15W20 . Esté seguro que el petróleo está en la marca “llena” del palito o en el centro del vidrio del petróleo.

TANQUES DE COMBUSTIBLE DEL MOTOR:

⚠️ PELIGRO ¡RIESGO DE INCENDIO! ¡NO FUME MIENTRAS ESTÉ CARGANDO COMBUSTIBLE! NO LLENE LOS TANQUES DE COMBUSTIBLE MIENTRAS LA MÁQUINA ESTÉ EN FUNCIONAMIENTO O ESTÉ CALIENTE. PERMITA QUE LA MÁQUINA SE ENFRÍE POR DOS MINUTOS ANTES DE VOLVER A CARGAR COMBUSTIBLE. NO LLENE DEMASIADO LOS TANQUES DE COMBUSTIBLE PORQUE SE PUEDEN DERRAMAR. DEBE QUEDAR UN ESPACIO LIBRE DE 1/4” (6,5 MM) EN EL TANQUE PARA PERMITIR LA EXPANSIÓN DEL COMBUSTIBLE.

INSTALACION Y PREPARACION

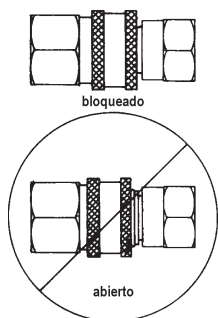
1. Lea las advertencias de “Riesgo de explosión o incendio” antes de llenar con combustible.

⚠️ ADVERTENCIA ¡RIESGO DE EXPLOSIÓN O INCENDIO! SIEMPRE ALMACENE EL COMBUSTIBLE LEJOS DE LA LAVADORA MIENTRAS LA UNIDAD ESTÉ EN FUNCIONAMIENTO O SE ENCUENTRE CALIENTE.

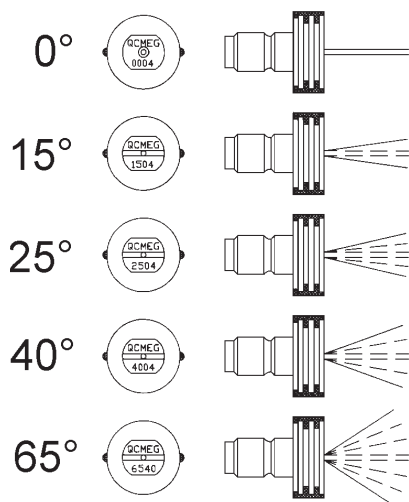
2. Localice las calcomanías de seguridad en su unidad y preste atención a sus advertencias.
3. **Motores de gasolina:** Cuando llene el tanque (rojo), la gasolina debe tener un mínimo de 85 de octano. **NO MEZCLE ACEITE CON LA GASOLINA.** Debe comprarse solamente la gasolina que se vaya a consumir en un periodo de 30 días. Se recomienda el uso de gasolina limpia, libre de plomo. Se puede usar gasolina con plomo si no se dispone de gasolina sin plomo. **NO USE** gasolina que contenga metanol o alcohol.
4. Revise el nivel de aceite del motor antes de arrancarlo. (Vea el manual del motor).
5. Vea el manual del motor que se ha proporcionado con esta unidad, para familiarizarse con los procedimientos apropiados de ajuste.
6. Repase el manual del motor que acompaña a esta lavadora a presión para familiarizarse con los procedimientos correctos de arranque y mantenimiento.

BOQUILLAS DE CONEXION RAPIDA:

Pueden conectarse rápidamente varias boquillas al extremo de la vara para cambiar el patrón de rociado o para usar la característica de detergente. Asegúrese que la conexión está seguramente calzada, al usar los conectores rápidos (C.R.). En caso contrario el agua a alta presión puede despedir la boquilla de la vara, causando lesiones graves o daños importantes. Refiérase al número estampado en la boquilla, para determinar el patrón de abanico del rociado. Los primeros dos dígitos indican el patrón de abanico del rociado en grados, por ej.: 00=0°, 15=15°, 25=25°, 65=detergente/baja presión.



⚠️ ADVERTENCIA ¡RIESGO DE INYECCION CAUSANTE DE LESIONES GRAVES! ¡NUNCA MIRE DIRECTAMENTE AL ORIFICIO DE LA BOQUILLA A MENOS QUE ESTE DESCONECTADO DEL CONJUNTO DE LA PISTOLA/VARA!



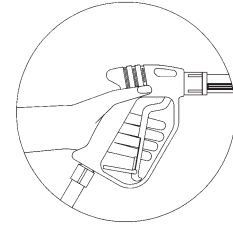
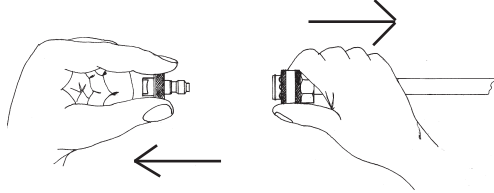
1. Boquilla de 0° (ROJA): Esta es una boquilla de disparo que emite una corriente muy concentrada de agua. Debería ejercerse cuidado para evitar rayar la madera o dañar superficie frágiles. Usos: eliminación de malas hierbas de las grietas de las aceras, manchas resistentes del concreto, mampostería, aluminio y acero, lodo endurecido en equipos, y para limpiar el fondo de las cortadoras de césped.
2. Boquilla de 15° (AMARILLA): Esta es una boquilla biselada. El rociado debería dirigirse a un ángulo de 45° sobre la superficie y usarse como un raspador para sacar pintura, grasa y suciedad. Usos: preparación de superficies (eliminación de manchas de moho y escamas de pintura).
3. Boquilla de 25° (VERDE): Esta es una boquilla de limpieza por descarga de agua. Este patrón es más apropiado para limpiar suciedad, lodo, y hollín. Usos: Barrido en mojado de senderos, cordones de las aceras y entradas de garages, limpieza de suelos de los establos, lavado de los fondos de las piscinas de natación, desengrasado de motores.
4. Boquilla de 40° (BLANCA): Esta es una boquilla de lavado. Este patrón de rociado amplio dispersa la presión de agua sobre un área grande y se recomienda para un lavado moderado Usos: Lavado de recubrimientos de aluminio de paredes, limpieza de ventanas, lavado de vehículos, rociado de aceras, entradas de garages, y patios, limpieza de techos.

INSTALACION Y PREPARACION

5. Boquilla de 65° (NEGRA): Esta es una boquilla de aplicación de detergente, de baja presión. Este patrón de rociado amplio distribuye la solución sobre áreas amplias a baja presión. Usos: Aplicación de detergente, como rociado o enjuague.

CONEXION DE LA BOQUILLA:

1. Asegúrese que la pistola a gatillo esté asegurada en la posición "OFF" (DESCONECTADO). Vea la ADVERTENCIA, a la derecha.



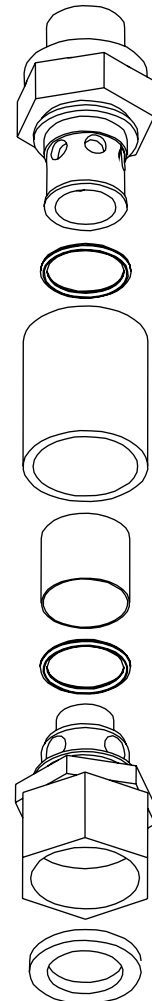
2. Retraiga el anillo de cierre sobre el adaptador de conexión rápida para sacar la boquilla.

! ADVERTENCIA ¡RIESGO DE LESIONES GRAVES! ¡CUANDO NO SE USA, LA PISTOLA A GATILLO DEBERIA ESTAR SIEMPRE ASEGURADO EN LA POSICION DESCONECTADO!

SUMINISTRO DE AGUA:

1. Seleccione una manguera de suministro de agua que sea de calidad de manguera de jardín que mida 3/4" de DI por lo menos y que no sea más larga que 50 pies.
2. Inspeccione el tamiz de filtro del agua para asegurar que esté limpio y libre de obstrucciones. La limpieza periódica del tamiz de agua ayudará a prevenir problemas con la bomba. El tamiz restringe el flujo apropiado de agua a la bomba, a medida que se obstruye. Esto puede resultar en cavitaciones que causarán la falla prematura de los empaques de las bombas.
 - a. Desatornille la conexión de la entrada de la manguera del jardín del frente del montaje de filtro.
 - b. Quite la cubierta de plástico claro y limpie la pantalla de filtro.
3. Conecte la mangueras:
 - a. Conecte un extremo de la manguera de suministro de agua a la entrada de agua de la unidad.
 - b. Conecte el otro extremo de la manguera a su suministro presurizado de agua. Cuando conectando la entrada de agua a las canerías de suministro de agua, regulaciones locales de su compañía del agua tenga que observar. En algunas areas la unidad no tenga que conectar directamente al suministro publico. Este es para asegurarse que no había nada retroalimentación de los detergentes entre el suministro del agua. (Es permite que conexión directamente si instale de preventor de corriente atraso.
 - c. Efectúe la conexión de la manguera de descarga de alta presión a la salida de agua de la unidad.
 - d. Conecte firmemente el otro extremo de la manguera a la pistola.
4. Siga los requerimientos de agua entrante listados abajo:
 - a. La presión de agua debe estar a un mínimo de 25 libras por pulgada cuadrada (PSI) y un máximo de 125 PSI. (Un grifo típico al aire libre suministrará generalmente estas PSI si está completamente ABIERTO).
 - b. Los GPM (galones por minuto) entrantes deben ser ser 1 galón más aproximadamente que los GPM salientes deben indicados en la placa de nombre de la lavadora a presión. (Usted puede inspeccionar los GPM observando el tiempo requerido para llenar un recipiente de 5 galones.)

MALLA FILTRANTE DE LA ENTRADA DE AGUA.



INSTALACION Y PREPARACION

- c. La temperatura del agua de entrada no debe exceder 125°F. Puede resultar un daño excesivo a la bomba si la temperatura del agua excede este nivel aceptable.
5. Nunca permita que la unidad opere sin que esté conectada la tubería de agua de entrada y el suministro de agua completamente abierto.

DESCARGADOR:

El descargador ha sido preajustado en la fábrica y solo deberá ser ajustado por un Representante de capacitado para servicio.

VÁLVULA PARA DISIPAR CALOR:

Para asegurar que la temperatura del agua derivada no exceda los niveles aceptables, nunca permita que la lavadora a presión opere en función de derivación (con la unidad en funcionamiento y el gatillo cerrado) por más de tres minutos.

Se ha instalado en esta máquina una válvula para disipar el calor y así proteger la bomba. Puede comenzar a abrirse para sacar agua si la temperatura en la bomba ha excedido los 140° F. Esto permitirá que entre al sistema un nuevo suministro de agua fría, impidiendo así la falla prematura de los empaques de la bomba.

PROCEDIMIENTOS DE INSPECCIÓN ANTES DEL ENCENDIDO:

Antes de encender la unidad, realice los siguientes procedimientos:

1. Revise el nivel de aceite de la bomba.
2. Revise la malla filtrante de la entrada de agua. Limpie o reemplace de ser necesario. Vea “Suministro de agua”, #2.
3. Revise todas las conexiones de la manguera para asegurarse de que estén bien ajustadas.
4. Inspeccione para asegurarse que no existan fugas de agua, aceite o combustible del sistema. Si encuentra una fuga de combustible, ¡NO ENCIENDA LA UNIDAD! Vea la sección de advertencias de “Riesgo de explosión o incendio”. Asegúrese que se hayan reemplazado todas las partes dañadas y se hayan corregido los problemas mecánicos, antes operar de nuevo la unidad. Si requiere servicio, llame a la oficina de Servicio a clientes.
5. Inspeccione las mangueras de alta presión para asegurarse que no tengan dobleces, rupturas o fugas. Si se encuentra una ruptura o fuga, ¡NO USE LA MANGUERA! Reemplace la manguera antes de encender la unidad. Vea “Riesgo de inyección”. Asegúrese que se hayan reemplazado todas las partes dañadas y se hayan corregido los problemas mecánicos, antes operar de nuevo la unidad. Si requiere servicio, llame a la oficina de Servicio a clientes.

⚠ ADVERTENCIA ⚠

LAS SIGUIENTES PÁGINAS CONTIENEN INSTRUCCIONES SOBRE LA OPERACIÓN Y EL MANTENIMIENTO.

NO INTENTE OPERAR ESTA LAVADORA A PRESIÓN HASTA QUE HAYA LEÍDO Y COMPRENDIDO TODAS LAS PRECAUCIONES E INSTRUCCIONES DE SEGURIDAD SEÑALADAS EN ESTE MANUAL.

**¡LA OPERACIÓN INCORRECTA DE ESTA UNIDAD PUEDE CAUSAR LESIONES GRAVES!
¡NO ALTERE NI MODIFIQUE ESTE EQUIPO DE NINGUNA MANERA!**

INSTRUCCIONES DE OPERACION

CEBADO DE LA BOMBA:

1. Es esencial cebar la bomba en el arranque inicial y cada vez que se desconecta el suministro de agua de la unidad después del uso inicial.
2. Despliegue la manguera de alta presión para eliminar los dobleces. (El flujo de agua endurecerá la manguera, creando bucles rígidos si la manguera no está recta.)
3. Conecte con seguridad el conjunto de la pistola a la manguera de alta presión.

NOTA: El conector de la boquilla NO debería conectarse al conjunto de la pistola en este momento. Vea "Conexión de la boquilla".

4. Abra completamente el suministro de agua, con la pistola a gatillo asegurado en la posición "OFF". Suelte el seguro de la pistola a gatillo y accione este último, apuntando la pistola en una dirección segura.



PELIGRO ¡RIESGO DE INYECCION CAUSANTE DE LESIONES GRAVES! ¡MANTENGASE ALEJADO DE LA BOQUILLA! ¡NUNCA COLOQUE LA MANO NI LOS DEDOS DELANTE DE LA BOQUILLA! ¡NO DIRIJA LA CORRIENTE DE DESCARGA HACIA LAS PERSONAS O LOS ANIMALES! ¡ASEGURESE QUE LA BOQUILLA ESTE SEGURAMENTE CONECTADA A LA VARA PARA EVITAR UNA DESCARGA ACCIDENTAL!

5. Comenzará a fluir agua a baja presión del conjunto de manguera/pistola. Esto permite que la unidad se cebe y purgue todo el aire del sistema. Esta unidad está cebada cuando el flujo de agua no esté interrumpido por el aire.
6. Suelte el gatillo y asegure la pistola en la posición "OFF", una vez que la unidad esté cebada. Conecte seguramente el boquilla de conexión rápida deseada. (Vea "Conexión de la boquilla")

ARRANQUE:

1. Refiérase a las "Precauciones de seguridad", antes de arrancar la unidad.
2. Ubique las calcomanías de seguridad en su unidad y obedezca sus advertencias.
3. Apunte la pistola a gatillo alejado de usted o de cualquier otra persona, con el mismo asegurado en la posición "OFF". Asegúrese que el suministro de agua esté completamente abierto.
4. Desenganche el seguro de la pistola y accione el gatillo. Comenzará a fluir agua a baja presión de la boquilla.
5. Al arrancar el motor, ASEGURESE que la pistola a gatillo permanezca en la posición abierta. Afírmese ya que la pistola retrocederá violentamente a causa de la alta presión causada por la bomba una vez que haya arrancado el motor.
6. Refiérase al manual del motor adjunto a esta lavadora a presión para los procedimientos correctos requeridos para arrancar el motor.
7. Efectúe los procedimientos siguientes una vez que haya arrancado el motor con la pistola en la posición abierta:
 - a. Inspeccione por pérdidas de aceite y combustible del sistema. ¡APAGUE INMEDIATAMENTE LA UNIDAD, si encuentra una pérdida! Vea las "Riesgo de explosión o fuego". Antes de operar la unidad, asegúrese que se hayan reemplazado todas las piezas dañadas y que se hayan corregido todos los problemas mecánicos. Consulte con el Servicio al Cliente, si usted requiere servicio.
 - b. Inspeccione las mangueras de alta presión por dobleces, cortes y pérdidas. ¡¡¡NO TOQUE LA MANGUERA EN LA PERDIDA, si encuentra un corte o una pérdida!!! ¡APAGUE INMEDIATAMENTE LA UNIDAD! Antes de arrancar nuevamente la unidad, reemplace la manguera. Vea las "Riesgo de inyección". Antes de operar la unidad asegúrese que se

INSTRUCCIONES DE OPERACION

hayan reemplazado todas las piezas dañadas y que se hayan corregido todos los problemas mecánicos. Consulte con el Servicio al Cliente, si usted requiere servicio.

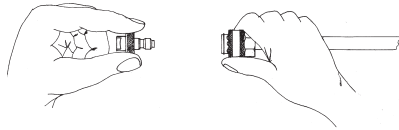
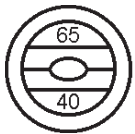
8. ASEGURE la pistola a gatillo en la posición "OFF" siempre que cambie las boquillas de conexión rápida. ¡NUNCA mire directamente en la boquilla! ¡El agua a alta presión crea un riesgo de lesiones graves!
9. No permita que la unidad funcione en un modo de derivación (con el gatillo cerrado) por más de tres minutos sin accionar el gatillo de la pistola. El no seguir esta simple regla puede causar la falla prematura de los sellos del empaque de la bomba, resultando en una reparación costosa a la misma.
10. Puede haber muchas tareas de limpieza que pueden efectuarse sin el uso de detergentes, a causa que la lavadora a presión suministra un rociado a alta presión y una variedad de patrones de rociado. Vea "Limpieza con detergentes", para los procedimientos correctos, si se requiere un agente de limpieza.



PRECAUCION RIESGO DE DAÑO NO PERMITA QUE EL PATRON DE ROCIADO PERMANEZCA EN UNA AREA FIJA DURANTE UN PERIODO PROLONGADO DE TIEMPO. PUEDE OCURRIR UN DAÑO POSIBLE AL AREA.

LIMPIEZA CON DETERGENTES (OPCIONAL):

1. En esta maquina, el inyección de detergente está discrecional. Si quisiera conseguir este rasgo asu unidad, pida usted parte #AW-8300-0001.
2. Mira el "Riesgo del lesión del Cuerpo", y los instrucciones del inyeccion de detergente que está con parte #AW-8300-0001. Asegúrese de usar vestimenta protectora de seguridad según lo mencionado.
3. Prepare la solución de detergente de acuerdo con las instrucciones del rótulo. Nunca bombee ácidos, alcalinos, fluidos abrasivos o solventes a través de la unidad. Debido a las características desconocidas y a menudo corrosivas de muchos detergentes usados comúnmente en la industria de lavado a presión, se recomienda únicamente el uso de detergentes templad con esta unidad.
4. Conecte el inyección de detergente a la unidad como se explica en los instrucciones del inyección de detergente.



5. Puede poner el detergente que quieve si encuentra ud. el botón ajuste al fin de la manguera claro y vinyl cerca del inyección de detergente. Torce el botón antihorario completamente para poner el rato maximo de siphón.
6. Sumerja el tamiz dentro de la solución del detergente para permitir que este último circule por sifón.
7. Asegúrese que el suministro de agua esté completamente abierto.
8. Con la pistola a gatillo en la posición OFF, conecte con seguridad el conjunto de la boquilla de detergente (#6540° Negro) dentro de la varilla.

NOTA: Este sistema de inyección está diseñado para aplicar detergentes a baja presión solamente. No se permitirá los detergentes dentro de la sistema a menos que la boquilla de detergente esta conectado a la varilla.

9. Desenganche la pistola a gatillo y accione el gatillo, para aplicar la solución. Una mezcla de detergente/agua saldrá de la boquilla de baja presión en unos pocos momentos. Comience rociando la porción inferior de la superficie que está siendo limpiada y muévase hacia arriba usando pasadas largas superpuestas. El aplicar desde abajo hacia

INSTRUCCIONES DE OPERACION

arriba ayuda a evitar el estriado. Permita que se empape brevemente. (Para minimizar la posibilidad de que se seque el detergente, lo que puede resultar en daños a las superficies pintadas, evite trabajar sobre superficies calientes o bajo la luz directa del sol.) Asegúrese de enjuagar una sección pequeña por vez.

10. Para enjuagar: asegure la pistola a gatillo en la posición "OFF", y usando el conector rápido, conecte seguramente la boquilla de alta presión al extremo de la vara. Desenganche la pistola a gatillo y rocíe. Llevará 30 segundos aproximadamente purgar todo el detergente de la tubería. Comience en la parte superior y trabaje hacia abajo, para obtener los mejores resultados del enjuague.
11. Después de cada uso, extraiga por sifón un galón de agua del sistema de inyección de detergente a baja presión. Esto evita la posibilidad de corrosión o de que el residuo de detergente cause problemas mecánicos durante el próximo uso.

APAGADO:

1. APAGUE el motor según se instruye en el Manual del Motor.
2. CIERRE el suministro de agua.
3. Accione momentáneamente la pistola a gatillo para eliminar toda la presión interna, apuntando la pistola en una dirección segura.
4. Desconecte el conjunto de la boquilla, una vez que se haya eliminado la presión.
5. Desconecte y drene la pistola, la vara y las mangueras.
6. Limpie la unidad con un paño y almacene con la pistola, la vara y las mangueras en un área segura.

ALMACENAMIENTO Y MANTENIMIENTO

MANTENIMIENTO ESPECÍFICO:

COMPONENTES DE EMISIÓN EVAPORADO:

La unidad que compró incluir los componentes siguientes que son de acuerdo con los Estandares de Emisión Evaporado de California Air Resources Board de 2023. Estandares de Emisión:

1. Manguera de combustible
2. Instalaciones de Manguera de combustible

Estos componentes deben tener inspección en un base diario para grietas, agujeros y uso abnormal. Si ocurrió las grietas, agujeros o uso abnormal, reemplace los componentes inmediatamente.

MOTOR: Las instrucciones del motor que acompañan a su unidad detallan los procedimientos específicos para el mantenimiento del motor. El observar las recomendaciones del fabricante del motor prolongará la vida útil del motor.

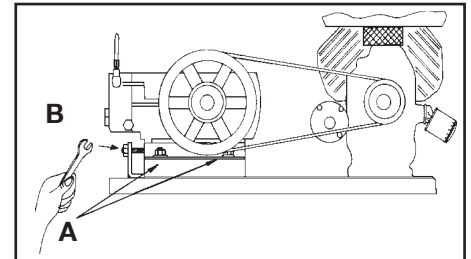
BOMBA: El aceite de la bomba debe ser cambiado después de las primeras 50 horas de operación en todas las unidades. Se recomienda intervalos de 250 horas, después de la carga inicial. Pueden requerirse cambios con mayor frecuencia, si el aceite parece sucio o lechoso. Use aceite para bombas de (Pieza 15W20 detergente) y llene sólo hasta la marca en el vidrio. NO llene en exceso.

ACOPLES RAPIDOS: Hay un sello del anillo en O dentro de acople rápido hembra en la salida de agua de su unidad. Este anillo en O se deteriorará, o se saldrá de lugar si se permite que la unidad bombee sin la manguera de alta presión. Simplemente inserte un anillo de repuesto para corregir la pérdida. (Pueden comprarse anillos en O adicionales de su distribuidor).

BOQUILLAS: El agua que fluye a través de la boquilla de rociado de conexión rápida desgastará y agrandará el orificio, resultando en una pérdida de presión. Deberían reemplazarse las boquillas siempre que la presión sea menor que el 85% del máximo. La frecuencia de reemplazo dependerá de tales variables tales como el contenido mineral en el agua y el número de horas que se usa la boquilla.

AJUSTE DEL TENSION DE CINTURÓN: Para mantener función alta de su lavadora a presión, puede ser necesario a ajustar la tensión de cinturón a veces. Siga ud. el procedimiento abajo.

1. Toma ud. la guardia de cinturón y deja los dos tuercas en cada lado de la bomba. (dibujo A) Hay cuatro tuercas en total.
2. Torce la capa de tornillo (referencia B) horario hasta 1/4 pulgada correa desviado esta entre las poleas.
3. Apreta lastuercas del cada lado (referencia A).
4. Ponga el filo derecho a través de los dos poleas. Es crítico para mantener función bueno y vidade serviceo, alinear las poleas. Si es necesario, afloja algunas tuercas de polea y ajuste dentro o fuera para a linear. Apreta las tuercas y verifica la tensión otra vez.
5. Reemplace la guardacorrea y apreta los cerrojos seguramente.



PREPARACION PARA EL INVIERNO:

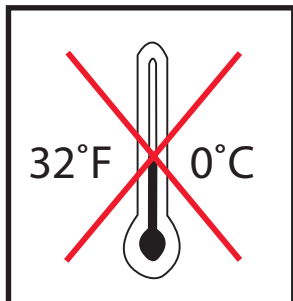
Será necesario preparar esta unidad para el invierno, para fines de Almacenamiento y transporte en temperaturas ambiente inferiores al punto de congelación. Esta unidad debe protegerse contra la temperatura más baja incurrida por las siguientes razones:

1. Si se congela cualquier parte del sistema de bombeo puede acumularse una presión excesiva en la unidad, lo que podría causar que la misma reviente resultando en lesiones posibles graves al operador o a los observadores.
2. El sistema de bombeo de esta unidad puede resultar dañado permanentemente si se congela. **LOS DAÑOS POR CONGELACION NO ESTAN CUBIERTOS POR LA GARANTIA.**

ALMACENAMIENTO Y MANTENIMIENTO

Usted puede proteger su unidad siguiendo el procedimiento indicado abajo, si debe almacenarla en un lugar donde la temperatura puede descender por debajo de los 32°F.

1. Reúne los artículos siguientes:
 - a. Dos recipientes de 5 galones.
 - b. Un galón de anticongelante. (El fabricante recomienda un anticongelante seguro para el medio ambiente.)
 - c. Suministro de agua.
 - d. Una manguera de tres pies de largo con un D.I. de 1/2-3/4 y con un adaptador macho de manguera de jardín de 3/4 de pulgada.



⚠️ ADVERTENCIA ¡RIESGO QUE LA UNIDAD REVIENTE! ¡NO ALMACENE/OPERE LA UNIDAD EN UN AMBIENTE HELADO!

2. Procedimiento:
 - a. Apague la unidad y corte el suministro de agua.
 - b. Elimine la presión del sistema apuntando la pistola a gatillo hacia una dirección segura y accionando el gatillo hasta que el flujo de agua cese de salir por la boquilla.
 - c. Asegure la pistola a gatillo en la posición OFF y retire la boquilla.
 - d. En un recipiente de cinco galones, mezcla el anticongelante y agua según las recomendaciones del fabricante para la temperatura a la que está preparando para el invierno.

NOTA: La preparación apropiada para el invierno está basada en las instrucciones recomendadas del fabricante incluidas en la "Tabla de Protección" mostrada en el rótulo posterior de la mayoría de los recipientes de anticongelantes.

- e. Retire la manguera de suministro de agua de la unidad y fije seguramente la manguera de 3 pies a la conexión de entrada. Ponga el cabo opuesto dentro del anticongelante.
- f. Ponga la lanza dentro del recipiente vacante y enciende la unidad.
- g. Accione el gatillo de la pistola hasta que el anticongelante comience a salir por la vara. Suelte el gatillo por 3 segundos, a continuación accione el gatillo de la pistola por 3 segundos. Continúe ciclando la pistola varias veces hasta que toda la mezcla anticongelante es extraída del recipiente por la acción de sifón.
- h. Separe la manguera de 3 pies de la unidad y drene todo el exceso restante de anticongelante dentro del recipiente de 5 galones.
- i. Desconecte el conjunto de manguera/pistola/vara de la unidad y drene todo el exceso restante de anticongelante dentro del recipiente de 5 galones.
- j. Almacene la manguera, la pistola y vara junto con la unidad, en un lugar seguro.
- k. Almacene la solución anticongelante para un uso ulterior o descártela de acuerdo con las leyes de protección del medio ambiente correspondientes.

3. Procedimiento opcional:
 - a. Apague la unidad y corte el suministro de agua.
 - b. Elimine la presión del sistema apuntando la pistola a gatillo hacia una dirección segura y accionando el gatillo hasta que el flujo de agua cese de salir por la boquilla.
 - c. Desconecte y drene la manguera, la pistola y la vara.
 - d. Arranque la unidad y permita que funcione hasta que toda el agua salga de la misma. Apague una vez que el agua ha cesado de fluir de la unidad.

NOTA: Debe ejercerse precaución al usar este procedimiento, ya que pueden formarse plaquitas de hielo de las gotas de agua, lo que podría causar que la unidad reviente si se arranca antes de estar completamente descongelada.

LOCALIZACION DE FALLAS

SINTOMA	CAUSA PROBABLE	SOLUCION
El motor no arranca.	Varios problemas del motor.	Refiérase al Manual del Motor que acompaña a su unidad..
	Los componentes de la unidad están congelados.	Permita que se descongele. Si se congela cualquier parte de la unidad, puede acumularse una presión excesiva en la unidad, lo que podría causar que la misma reviente, resultando en lesiones posibles graves al operador o a los observadores
No hay descarga de la boquilla cuando se acciona el mecanismo del gatillo.	Suministro inadecuado de agua.	Asegúrese que la manguera tenga 3/4" de diámetro y que el suministro de agua entrante esté abierto
	Doblez en la manguera de entrada de agua.	Elimine el doblez.
Presión baja o fluctuante	Doblez en la manguera de descarga de alta presión	Reemplace la manguera.
	Está obstruido el tamiz de la entrada de agua.	Saque el tamiz, limpie o reemplace
	La bomba absorbe aire (Eliminado el cebado).	Ajuste todas las conexiones de entrada de agua. Elimine dobleces en la tubería de entrada.
	No está en el modo de alta presión.	Conecte seguramente la boquilla de alta presión.
	La boquilla de rociado está obstruida o gastada	Saque, limpie o reemplace.
	El conjunto de la válvula en la bomba está dañado u obstruido.	Saque, inspeccione, limpie o reemplace.
	Los empaques de la bomba están gastados.	Reemplace los empaques.
	Descargador de derivación no opera correctamente.	Repare o reemplace.
Pérdida de agua de la "Válvula de descarga térmica"	La temperatura del agua es demasiado elevada.	No permita que la unidad opere en el modo de derivación (con la pistola a gatillo cerrado) durante más de tres minutos.
	Válvula defectuosa.	Reemplace.
El aceite parece lechosa o espumosa	Agua en el aceite.	Cambie la bomba de aceite. Llene al nivel apropiado.
Pérdida de aceite de la unidad	¡¡¡¡¡NO LA USE!!!!	Llame al Servicio al Cliente

LOCALIZACION DE FALLAS

El detergente no fluir� por sif�n en el modo de detergente a baja presi�n	El tamiz del detergente no est� completamente sumergido en la soluci�n de detergente.	Inspeccione, sumerja si fuera necesario
	El tamiz del detergente est� obstruido.	Inspeccione, limpie o reemplace
	La manguera del detergente est� cortada, obstruida o doblada.	Inspeccione, limpie o reemplace
	La perilla de ajuste del detergente est� girada a la posici�n cerrada.	Abra la perilla de ajuste. Refi�rse a "Limpieza con detergentes".
	No est� en el modo de baja presi�n.	Inserte la boquilla 6540� (NEGRA).
	La boquilla del detergente est� taponada.	Limpie o reemplace.
	Hay demasiadas extensiones de las mangueras de alta presi�n conectadas a la salida de agua	Use una extensi�n como m�ximo.
	La esfera y el resorte en el Venturi est�n atascados.	Limpie o reemplace.
El flujo de agua retrocede al recipiente del detergente.	La esfera y el resorte en el Venturi est�n invertidos, faltan o est�n desgastados.	Saque, limpie le reemplace.
Cuando la pistola de gatillo est� asegurado en la posici�n "OFF", el agua fluye desde la boquilla.	La pistola funciona mal.	Retire, limpie o reemplace.
Hay fuga de agua en la valvula de seguridad para alivio de presi�n.	El disco de seguridad en caso de estallido est� roto debido a una falla de un descargador.	<p>1. Reemplace el disco de seguridad contra estallidos. NUNCA active la unidad sin un disco de seguridad. Podr�a causar una explosi�n.!</p> <p>2. Diagnostique y corrija el problema del descargador.</p>

DECLARACIÓN DE GARANTÍA

Fabricante garantiza que todas las piezas (excepto aquellas a las que se hace referencia abajo), de su nueva lavadora a presión CWC Series Cestán libres de defectos en materiales y mano de obra durante los periodos siguientes:

Para un curso de la vida contra congelar y agrietarse:

Colector de bomba

Por siete (7) años a partir de la fecha original de compra:

Bomba de Alta Presión

Por dos (2) años a partir de la fecha original de compra:

Cañerías Poleas Carreta unidad

Por uno (1) años a partir de la fecha original de compra:

GCFI Encender de selectivo

Contacto de entrada Sobrecarga

Por noventa (90) días a partir de la fecha original de compra:

Manguera de alta Presión Pistola de Gatillo

Filtro Válvulas de descargar

Las piezas defectuosas que no están sujetas a deterioro causado por el uso serán reparadas o reemplazadas a nuestra opción durante el periodo de garantía. En todo caso, el reembolso está limitado al precio de compra pagado.

EXCLUSIONES

1. El motor está cubierto bajo una garantía separada proporcionada por el fabricante respectivo y está sujeta a los términos en ella establecidos.
2. Partes de desgaste normal:
Empaques de las Bombas Válvulas de la Bomba
Boquillas Válvulas del Detergente Correas
Círculo Connexión Rápida / El Tornillo Conecta
3. Esta garantía no cubre las piezas dañadas debido al deterioro normal causado por el uso, mala aplicación, mal uso, operación a velocidades, presiones o temperaturas diferentes a las recomendadas. Las piezas dañadas o gastadas a causa del uso de líquidos cáusticos o por la operación en medios ambientes abrasivos o corrosivos o bajo condiciones que causan cavitación de la bomba no están garantizadas. La falla en seguir los procedimientos recomendados de operación y mantenimiento también cancela la garantía.
4. El uso de piezas de repuesto diferentes a las genuinas fabricante cancelará la garantía. Las piezas devueltas, con franqueo pagado a un Centro de Servicio Autorizado fabricante serán inspeccionadas y reemplazadas, libre de cargos, si se determina que están defectuosas y sujetas a la garantía. No existen garantías que se extiendan más allá de la descripción contenida aquí. Bajo ninguna circunstancia será responsable por la pérdida de uso de la unidad, pérdida de tiempo, inconvenientes, pérdida comercial o daños consecuentes.

DECLARACION DE COBERTURA DE EMISIONES DE CALIFORNIA SUS DERECHOS DE GARANTIA Y OBLIGACIONES

La Tabla de Recursos Aéreos de California y el fabricante están felices para explicar la garantía de sistema de control de emisiones en su 2024/2025 modelo del pequeño motor todoterreno (PMT). En California, Pequeños Motores Todoterreno (PMTs) nuevos tienen que ser diseñados, construidos y equipados para conformar a los estándares rigurosos de no-niebla con humo del estado. el fabricante debe justificar el sistema de control de emisiones en su PMT por los períodos de tiempo indicados abajo a condición que no ha habido abuso, negligencia ni el mantenimiento impropio de su PMT.

Su sistema de control de emisiones puede incluir partes como el carburador, sistema de inyección de combustible, sistema de ignición, catalizador, tanques de combustible, líneas de combustible, capas de combustible, válvulas, botes, filtros, mangueras de vapor, abrazaderas, conectores, y otros componentes asociados relatados a la emisión. Donde existe una condición de la garantía, el fabricante reparará su PMT en ningún costo a usted, incluyendo diagnóstico, las piezas, y trabajo.

COBERTURA DE GARANTIA DE FABRICANTE

Este sistema de control de emisiones tiene garantía durante dos años. Si cualquier parte que está relacionada a emisiones en su motor es defectuosa, la parte será reparada o será reemplazada por el fabricante.

RESPONSABILIDADES DE GARANTIA DEL PROPIETARIO

-Como el propietario del Pequeño Motor Todoterreno, usted es responsable de la ejecución del mantenimiento necesario indicado en su manual de propietario. El fabricante recomienda que usted retenga todos recibos sobre el mantenimiento de su PMT, pero el fabricante no puede negar de garantía solo para la falta de recibos.

-Como el propietario del Pequeño Motor Todoterreno, usted debe saber que el fabricante puede negar cobertura de garantía si su Pequeño Motor Todoterreno o una pieza ha fracasado a causa de abuso, negligencia o el mantenimiento impropio a las modificaciones desaprobadas.

-Usted es responsable de presentar su Pequeño Motor Todoterreno al centro de distribución o centro de reparaciones autorizado por el fabricante, 50 Mi-T-M Drive, Peosta, IA 52068 (Mi-T-M) en pronto que un problema exista. Las reparaciones de garantía deben ser completadas en una cantidad razonable de tiempo, no exceder 30 días.

Si usted tiene una pregunta con respecto a su cobertura de garantía, usted debe contactar el Departamento de Servicio para Clientes en 1-800-553-9053 o por correo electrónico a corp@mitm.com.

COBERTURA GENERAL DE GARANTIA DE EMISIONES

-Sólo California-

El fabricante ejemplifica al último comprador y cada comprador subsiguiente que el Pequeño Motor Todoterreno PMT (1) ha sido diseñado, construido y equipado para conformarse con todas regulaciones aplicables; y (2) es libre de defectos en materias y disfraz que causa el fracaso de una pieza garantizado conformarse con esas regulaciones como puede ser aplicable a los términos y condiciones que son indicados abajo.

- (a) El período de garantía empieza en la fecha que el motor está entregado a un último comprador o cuando está primero puesto en servicio. El período de garantía es dos años.
- (b) Sujeto a ciertas condiciones y exclusiones como indicadas abajo, la garantía de piezas relacionadas a emisiones es el siguiente:
 - (1) Cualquier pieza garantizada que no está programado para el reemplazo como mantenimiento necesario en su manual de propietario está garantizado para el período de garantía indicado arriba. Si la pieza fracasa durante el período de cobertura de garantía, la pieza será reparada o será reemplazada por el fabricante según la subdivisión (4) abajo. Cualquiera pieza reparada o reemplazada bajo la garantía será garantizada para el resto del periodo.
 - (2) Cualquier pieza garantizada que está programada sólo para inspección regular en su manual de propietario está garantizada para el período de garantía indicada arriba. Cualquiera pieza reparada o reemplazada bajo la garantía será garantizada por el resto del período de garantía.
 - (3) Cualquier pieza garantizada que está programada para el reemplazo como mantenimiento necesario en su manual de propietario está garantizado para el período del tiempo antes de la primera fecha planificada de reemplazo para esa pieza. Si la pieza fracasa antes del primer reemplazo planificado, la pieza será reparada o será reemplazada por el fabricante según la subdivisión (4) abajo. Cualquiera pieza reparada o reemplazada bajo la garantía será garantizada por el resto del período de garantía antes del primer punto planificado de reemplazo para la pieza.
 - (4) Reparación o el reemplazo de alguna pieza garantizada bajo las provisiones de garantía en este debe ser realizado en una estación de garantía sin cargo al propietario.
 - (5) Sin perjuicio de lo dispuesto en esta, los servicios de garantía y de reparación serán proporcionados en todos nuestros centros de distribución que tengan la franquicia para atender a los motores sujetos.
 - (6) El propietario no debe ser cargado para trabajo diagnóstico que lleva a la determinación que una pieza garantizada es de hecho defectuosa, con tal de que el trabajo diagnóstico sea realizado en una estación de garantía.
 - (7) A través del período de garantía de motor que está indicado arriba, el fabricante mantendrá un suministro de piezas garantizadas suficientes para satisfacer la demanda esperada para tales partes.
 - (8) Cualquier pieza reemplazada puede ser utilizada en la ejecución de cualquier mantenimiento de garantía o reparaciones y debe ser proporcionado sin cargo al propietario. Tal uso no reducirá las obligaciones de garantía de el fabricante.

(9) Las piezas añadidas o modificadas que no están eximidas por la Tabla de Recursos Aéreos no pueden ser utilizadas. El uso de cualquier pieza añadida o modificada que no está eximida por el último comprador será razón para no permitir o aceptar un reclamo de la garantía. El fabricante no será responsable a garantizar los fracasos de piezas garantizadas causados por el uso de una pieza añadida o modificada que no está eximida.

(10) el fabricante proporcionará cualquier documento que describa los procedimientos o políticas de garantía de el fabricante dentro de los cinco días hábiles posteriores a la solicitud del Director Ejecutivo.

(C) Piezas que tienen Garantía

La reparación o el reemplazo de cualquier parte garantizada de otro modo elegible para la cobertura de garantía pueden ser excluidos de tal cobertura de garantía si el fabricante demuestra que el motor ha sido abusado, descuidado, o mantenido incorrectamente, y que el abuso, negligencia, o mantenimiento impropio fue el causo directo de la necesidad para la reparación o reemplazo de la pieza. Sin embargo, cualquier ajuste de un componente que tiene un dispositivo de la limitación de ajuste que ha sido instalado por la fábrica y está funcionando apropiadamente todavía está elegible para la cobertura de la garantía. Las siguientes piezas de garantía de emisiones están garantizadas:

- (1) Tanque de Combustible
- (2) Tapa de Tanque de Combustible
- (3) Líneas de Combustible (para combustible líquido y vapores de combustible)
- (4) Accesorios de Líneas de Combustible
- (5) Abrazaderas*
- (6) Válvulas Limitadoras de Presión*
- (7) Válvulas de Control*
- (8) Control de Solenoides*
- (9) Controles Electrónicos*
- (10) Diafragmas de Control de Vacío*
- (11) Cables de Control*
- (12) Enlaces de Control*
- (13) Válvula de Purga*
- (14) Juntas*
- (15) Separador de Líquido/Vapor
- (16) Depósito De Carbón
- (17) Depósito de Soporte de Montaje
- (18) Conector de Puerto de Purga del Carburador

*Nota: Al estar estos relacionados con el sistema de control de emisiones por evaporación.

