

OPERATOR'S MANUAL FOR
STATIONARY
ELECTRIC DRIVEN/BELT DRIVE
ELECTRIC HEATED
HOT WATER PRESSURE WASHER

PARTS LIST



Intertek
3012903



CAUTION

RISK OF INJURY!

READ MANUAL BEFORE OPERATING!

This manual is an important part of the
pressure washer and must
remain with the unit when you sell it!

TABLE OF CONTENTS

TABLE OF CONTENTS.....	2
INTRODUCTION	3
! IMPORTANT !	3
SAFETY WARNINGS.....	4-8
FEATURES	9
INSTALLATION	10
LOCATION AND PLACEMENT:	10
ELECTRICAL:	10
INSTALLATION.....	11
WATER SUPPLY:.....	11
HIGH PRESSURE CONNECTION:.....	11
PRE-OPERATION CHECKLIST:.....	12
PREPARATION.....	13
ATTIRE:	13
PRE-START:	13
UNLOADER:.....	13
QUICK-CONNECT NOZZLES:	14
NOZZLE CONNECTION:	14
DUAL LANCE ASSEMBLY WITH ADJUSTABLE PRESSURE:.....	15
PRE-START INSPECTION PROCEDURES:.....	15
OPERATING INSTRUCTIONS	17
FLUSHING THE SYSTEM:	17
COLD WATER OPERATION:.....	17
HOT WATER OPERATION:.....	18
CLEANING WITH DETERGENTS:	18
SHUTDOWN:.....	19
MAINTENANCE	20
PREVENTIVE MAINTENANCE:	20
WINTERIZING:.....	21-22
PREVENTIVE OPERATOR MAINTENANCE CHART	23
DEALER MAINTENANCE CHART	23
TROUBLESHOOTING	24-25
WARRANTY	26
NOTES	27

⚠ WARNING

⚠ WARNING: This product can expose you to chemicals including Lead, which is known to the State of California to cause cancer and birth defects or other reproductive harm. For more information go to www.P65Warnings.ca.gov

⚠ WARNING

⚠ WARNING: This product can expose you to chemicals including carbon monoxide, which is known to the State of California to cause birth defects or other reproductive harm. For more information go to www.P65Warnings.ca.gov

NATIONAL CODES:
NFPA NO. 70 (NEC) NATIONAL ELECTRICAL CODE.
CSA C22.1 CANADIAN ELECTRICAL CODE PART 1.

INTRODUCTION

Congratulations on the purchase of your new pressure washer! You can be assured your pressure washer was constructed and designed with quality and performance in mind. Each component has been rigorously tested to ensure the highest level of acceptance.

This operator's manual was compiled for your benefit. By reading and following the simple safety, installation, operation, maintenance and troubleshooting steps described in this manual, you will receive years of trouble free operation from your new pressure washer. The contents of this manual are based on the latest product information available at the time of publication. Manufacturer reserves the right to make changes in price, color, materials, equipment, specifications or models at any time without notice.

! IMPORTANT !

These paragraphs are surrounded by a "SAFETY ALERT BOX." This box is used to designate and emphasize Safety Warnings that must be followed when operating this pressure washer. Accompanying the Safety Warnings are "signal words" which designate the degree or level of hazard seriousness. The "signal words" used in this manual are as follows:

DANGER: Indicates an imminently hazardous situation which, if not avoided, **WILL** result in death or serious injury.

WARNING: Indicates a potentially hazardous situation which, if not avoided, **COULD** result in death or serious injury.

CAUTION: Indicates a potentially hazardous situation which, if not avoided **MAY** result in minor or moderate injury.



The symbols set to the left of this paragraph are "Safety Alert Symbols." These symbols are used to call attention to items or procedures that could be dangerous to you or other persons using this equipment.

ALWAYS PROVIDE A COPY OF THIS MANUAL TO ANYONE USING THIS EQUIPMENT. READ ALL INSTRUCTIONS BEFORE OPERATING THIS PRESSURE WASHER AND ESPECIALLY POINT OUT THE "SAFETY WARNINGS" TO PREVENT THE POSSIBILITY OF PERSONAL INJURY TO THE OPERATOR.

Once the unit has been removed from the box, immediately write in the serial number of your unit in the space provided below.

SERIAL NUMBER _____

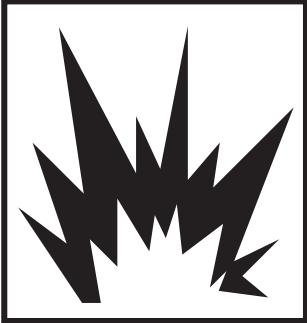

Inspect for signs of obvious or concealed freight damage. If damage does exist, file a claim with the transportation company immediately. Be sure that all damaged parts are replaced and that the mechanical and electrical problems are corrected prior to operation of the unit. If you require service, contact Customer Service Representative at 1-800-648-8478.

Please have the following information available for all service calls:

1. Model Number
2. Serial Number
3. Date and Place of Purchase


SAFETY WARNINGS

WARNING: When using this product, basic precautions should always be observed, including the following:
READ ALL SAFETY WARNINGS BEFORE INSTALLING AND USING PRESSURE WASHER

HAZARD	POTENTIAL CONSEQUENCE	PREVENTION
<p style="text-align: center;">RISK OF EXPLOSION OR FIRE</p> <div style="text-align: center;">   </div>	<p>Serious injury or death may occur from improper installation.</p> <p>Serious injury or death may occur if system safety's are not properly maintained.</p>	<p>Installation of this unit must comply with all local, state and national codes.</p> <p>Never leave operating machine unattended.</p> <p>Do not use this pressure washer to spray flammable liquids! Flammable liquids can create fumes which can ignite.</p> <p>This pressure washer has multiple safety devices which should never be altered, modified, removed or made inoperative. If a device fails, replace immediately with only genuine manufacturer replacement part.</p>

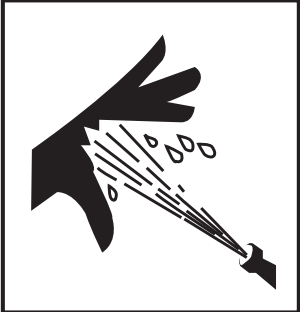
SAFETY WARNINGS

READ ALL SAFETY WARNINGS BEFORE INSTALLING AND USING PRESSURE WASHER

HAZARD	POTENTIAL CONSEQUENCE	PREVENTION
<p style="text-align: center;">RISK OF ELECTROCUTION OR ELECTRIC SHOCK</p> <div style="text-align: center;">  </div>	<p>Serious injury or death could result from improper installation.</p> <p>Serious injury or death could occur if the pressure washer is not properly grounded. Your pressure washer is powered by electricity and may cause electric shock or electrocution if not used properly.</p> <p>Electrical shock may occur if pressure washer is not operated properly.</p> <p>Serious injury or death may occur from contact with electricity.</p> <p>Serious injury or death may occur if electrical repairs are attempted by unqualified persons.</p>	<p>Installation of this unit including all electrical connections must comply with all local, state and national codes. (Standards to be followed include NFPA No. 70/NEC National Electrical Code. In Canada; Refer to the CSA C22.1 Canadian Electrical Code Part 1)</p> <p>This unit must be connected to a grounded, permanent wiring system; or an equipment-grounding conductor must be run with the circuit conductors and connected to the equipment-grounding lead on the unit.</p> <p>Make sure the pressure washer is connected to a properly grounded source which provides correct voltage and adequate fuse protection. Disconnect from power source when not in use or when making repairs.</p> <p>Never operate pressure washer with electrical enclosures open, removed or damaged.</p> <p>Do not touch machine while standing in water or with wet hands. Never let the electrical supply or any connections lay in the water.</p> <p>DO NOT direct spray on or into electrical installations of any kind! This includes electrical outlets, light bulbs, fuse boxes, transformers, the unit itself, etc.</p> <p>DO NOT allow metal components of the pressure washer to come in contact with live electrical components.</p> <p>Any electrical wiring or repairs performed on this pressure washer should be done by authorized service personnel in accordance with local and national electrical codes.</p> <p>Before opening any electrical enclosure, always shut off the pressure washer, relieve pressure and disconnect the pressure washer from the power source. Allow pressure washer to cool down. Never assume the pressure washer is safe to work on just because it is not operating. It could restart at any time!</p>


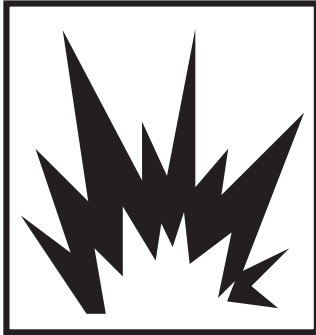

SAFETY WARNINGS

READ ALL SAFETY WARNINGS BEFORE INSTALLING AND USING PRESSURE WASHER

HAZARD	POTENTIAL CONSEQUENCE	PREVENTION
<p style="text-align: center;">RISK OF INJECTION OR SEVERE CUTTING INJURY</p> <div style="text-align: center;">  </div>	<p>Serious injury or death could occur from high pressure spray penetrating the skin.</p>	<p>Keep clear of nozzle and spray! Never put your hand, fingers or body directly over the spray nozzle.</p> <p>Never point the high pressure discharge stream at persons.</p> <p>This equipment is to be used only by trained operators.</p> <p>Always keep operating area clear of all persons.</p> <p>To reduce the risk of injury, close supervision is necessary when using this equipment near children. DO NOT allow children to operate this unit.</p> <p>SEEK EMERGENCY MEDICAL CARE if the spray appears to have penetrated the skin! DO NOT TREAT AS A SIMPLE CUT! Be prepared to tell a physician exactly what kind of cleaning agents you were using by reading the Material Safety Data Sheet (MSDS) provided with your detergent.</p> <p>High pressure hoses should be inspected daily for signs of wear. If evidence of failure exists, promptly replace all suspect hoses to prevent the possibility of injury from the high pressure spray. If a hose or fitting is leaking, NEVER PLACE YOUR HAND DIRECTLY ON THE LEAK.</p> <p>Before using pressure washer, or when quick connecting high pressure hoses and spray nozzles, be certain the "collar" on the female quick connect is locked securely to prevent accidental discharge and that all quick coupler fittings are secure.</p> <p>NEVER operate the gun with the trigger wired in the open position. To prevent accidental discharge, the trigger gun should be securely locked when not in use.</p> <p>Before removing the spray nozzle or servicing the unit, ALWAYS shut off the unit and trigger the gun to release trapped pressure. (Even after you shut off the unit, there is high pressure water left in the pump, hose and gun until you release it by triggering the gun.)</p>


SAFETY WARNINGS

READ ALL SAFETY WARNINGS BEFORE INSTALLING AND USING PRESSURE WASHER

HAZARD	POTENTIAL CONSEQUENCE	PREVENTION
<p style="text-align: center;">RISK OF BURNS</p> 	<p>Serious injury may occur from touching the heat exchanger. These areas can remain hot for some time after the pressure washer is shutdown.</p>	<p>Never allow any part of your body to contact the heat exchanger.</p>
<p style="text-align: center;">RISK OF BURSTING</p> 	<p>Serious injury may occur from a pressure washer malfunction or exploding accessories if incorrect system components, attachments or accessories are used.</p> <p>Serious injury or death may occur if attempting to start the pressure washer when the unit is frozen.</p>	<p>Never make adjustments to the factory set pressures.</p> <p>Never exceed manufacturers maximum allowable pressure rating of attachments.</p> <p>Do not allow any hoses to make contact with the heat exchanger to prevent the possibility of bursting. Avoid dragging the hoses over abrasive surfaces such as cement.</p> <p>Use only manufacturer recommended repair parts for your pressure washer.</p> <p>In freezing temperatures, the unit must always be warm enough to ensure there is no ice formation in the unit. Do not start the pressure washer without first allowing the unit to thaw.</p>
<p style="text-align: center;">RISK FROM MOVING PARTS</p> 	<p>Serious injury may occur to the operator from moving parts on the pressure washer.</p>	<p>Do not operate the unit without all protective covers in place or make any adjustments without shutting off the pressure washer, relieving pressure and disconnecting the pressure washer from the power source. Allow pressure washer to cool down. Never assume the pressure washer is safe to work on just because it is not operating. It could restart at any time!</p>

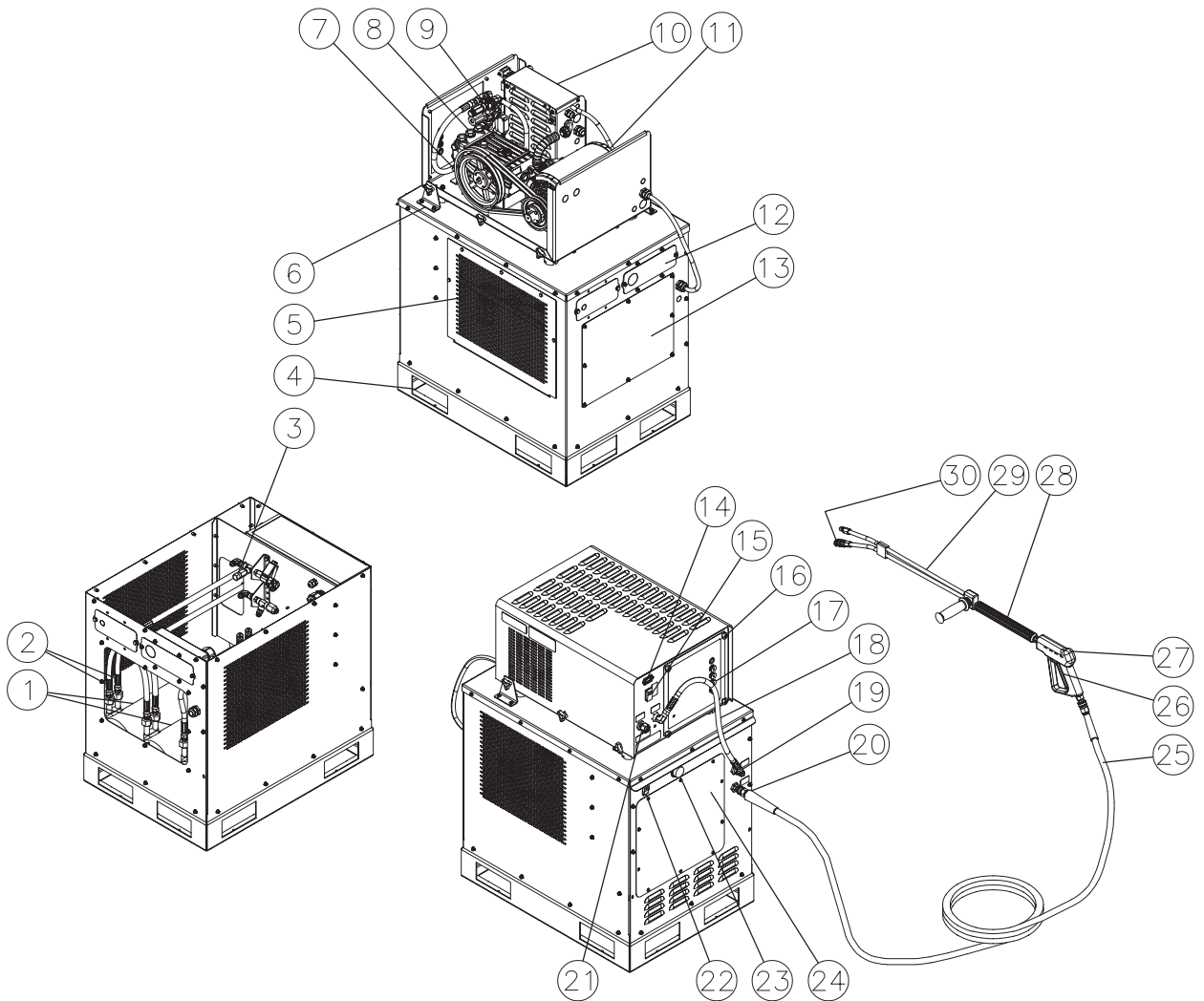
SAFETY WARNINGS

READ ALL SAFETY WARNINGS BEFORE INSTALLING AND USING PRESSURE WASHER

HAZARD	POTENTIAL CONSEQUENCE	PREVENTION
<p>RISK OF BODILY INJURY</p> 	<p>Serious injury or death may occur from detergents contacting or penetrating the skin.</p> <p>Serious injury can occur from loose debris being propelled at a high speed from the spray gun.</p> <p>Injury may occur if the operator loses his balance caused by the thrust of water traveling through the spray nozzle.</p> <p>Injury may occur from the pressure washer.</p>	<p>SEEK EMERGENCY MEDICAL CARE if the spray appears to have penetrated the skin! DO NOT TREAT AS A SIMPLE CUT! Be prepared to tell a physician exactly what kind of cleaning agents you were using by reading the Material Safety Data Sheet (MSDS) provided with your detergent.</p> <p>Never use any solvents or highly corrosive detergents or acid type cleaners with this pressure washer.</p> <p>Protective equipment such as rubber suits, gloves and respirators are advisable, especially when using cleaning detergents.</p> <p>Keep all detergents out of the reach of children!</p> <p>ALWAYS wear protective goggles when operating the unit to shield the eyes from flying debris and detergents.</p> <p>DO NOT direct spray toward fragile materials such as glass for shattering could occur.</p> <p>Stay alert-watch what you are doing. Do not operate the unit when fatigued or under the influence of alcohol or drugs.</p> <p>NEVER squeeze the trigger unless securely braced.</p> <p>DO NOT overreach or stand on unstable support.</p> <p>Wet surfaces can be slippery, wear protective foot gear and keep good footing and balance at all times.</p> <p>NEVER trigger the gun while on a ladder or roof.</p> <p>ALWAYS hold on firmly to the gun/lance assembly when starting and operating the unit. Failure to do so can cause the lance to fall and whip dangerously.</p> <p>Know how to stop the pressure washer and bleed pressures quickly. Be thoroughly familiar with controls.</p> <p>DO NOT leave pressurized unit unattended. Shut off the pressure washer and release trapped pressure before leaving.</p> <p>DO NOT operate the unit if you see any oil or water leaks from the machine. DO NOT resume operation until the unit has been inspected and repaired by a qualified serviceman.</p> <p>Never make adjustments on the machine while in operation.</p> <p>Before servicing the unit: shut off the pressure washer, relieve pressure and disconnect the pressure washer from the power source. Allow pressure washer to cool down. Never assume the pressure washer is safe to work on just because it is not operating. It could restart at any time!</p>

 **SAVE THESE INSTRUCTIONS** 

FEATURES



- | | |
|-----------------------------------|-------------------------------------|
| 1. Heat Exchanger | 17. Nozzle Storage |
| 2. High Pressure Hose | 18. High Pressure Hose |
| 3. Pressure Relief Valve | 19. High Pressure Water Inlet |
| 4. Fork Truck Access | 20. High Pressure Water Outlet |
| 5. Ventilation Openings | 21. Water Inlet with Strainer |
| 6. Mounting Bracket | 22. Burner Switch w/Indicator Light |
| 7. Heat Dump Valve | 23. Adjustable Thermostat |
| 8. High Pressure Pump | 24. Electrical Enclosure |
| 9. Pressure Trapping Unloader | 25. High Pressure Hose |
| 10. Electrical Enclosure | 26. Trigger Safety Lock |
| 11. Electric Motor | 27. Trigger Gun |
| 12. Electrical Junction Box | 28. Insulated Lance |
| 13. Plumbing Service Panel | 29. Adjustable Pressure Dual Lance |
| 14. Hour Meter | 30. Quick Connect Nozzle |
| 15. Pump Switch w/Indicator Light | |
| 16. Access Panel Knobs | |

INSTALLATION

LOCATION AND PLACEMENT:

1. This unit should be installed indoors by a qualified serviceman in a non-freezing, dry environment away from damaging winds and rain. If any part of the unit becomes frozen, excessive pressure may build up in the unit which could cause it to burst resulting in possible serious injury to the operator or bystanders. Normal precautions should be taken so that excess moisture does not reach the electrical controls or the power unit.
2. This unit should only be placed on a level surface to ensure proper lubrication for the water pump while operating. NEVER spray water directly on the unit.



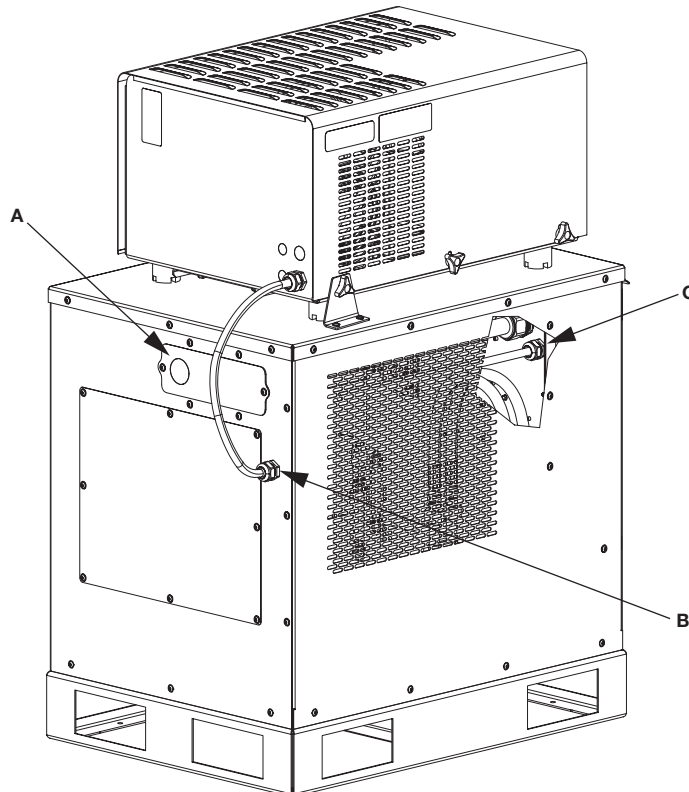
WARNING

RISK OF ELECTROCUTION!

THIS UNIT MUST BE CONNECTED TO A PROPERLY GROUNDED OUTLET.

ELECTRICAL:

1. Installation of this unit should be performed by a qualified serviceman and all electrical installation must conform to all local, state and national codes, including NFPA No. 70 (NEC) National Electrical Code. In Canada; Refer to the CSA C22.1 Canadian Electrical Code Part 1.
2. This unit comes to you with the wires terminating in a junction box inside the cabinet. See illustration below, point A. You must supply the incoming power source.
3. Ensure electrical supply is identical to the specifications listed on the pressure washer data plate.
4. The motor/pump housing cord must be routed through points "B" and "C" in illustration below, then into the power block in accordance to the wire diagram provided with the machine (located on the inside of the front service panel).
5. Ensure all connections are secure and covers are replaced.



INSTALLATION

WATER SUPPLY:

1. Select a water supply hose which is a quality grade of garden hose measuring at least 3/4" ID and no longer than 50'. (See illustration #1)
2. Connect one end of the water supply hose to the water inlet of the unit. Connect the other end of the hose to your pressurized water supply.

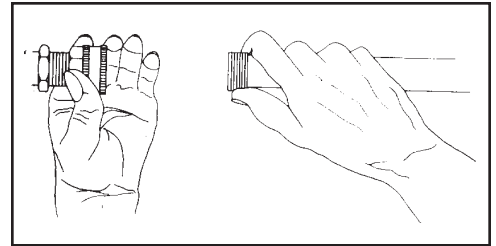
NOTE: *If there is a high mineral content in your water, it is recommended that a water softener be used to prevent the possibility of excessive scale buildup inside the heat exchanger coil.*

3. Be certain all connections are securely tightened.
 - a. Water supply hose to the Water Inlet on the unit.
 - b. Water supply hose to the Pressurized Water Supply.
4. Follow the incoming water requirements listed below:
 - a. Water pressure must be between a minimum of 20 pounds per square inch (PSI) and a maximum of 65 PSI.
 - b. Incoming GPM must be approximately one gallon more than the outgoing GPM stated on the pressure washer I.D. Plate. (You can check GPM by timing how long it takes to fill a 5 gallon container.)
 - c. Incoming water temperature must not exceed 175°F. Excessive pump damage may result if the water temperature exceeds this acceptable level.

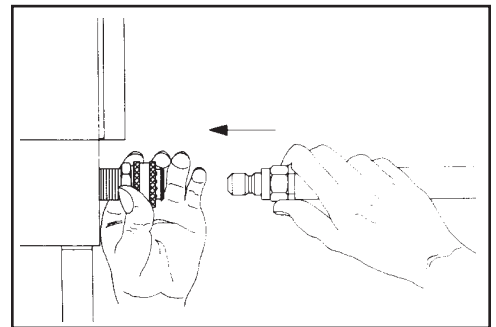
NOTE: *If the water supply is inadequate or the hose is kinked, the unit will run rough and the heat exchanger will not fire.*

5. Never allow the unit to operate without the incoming water line attached and the water supply completely turned on.

**ILLUSTRATION #1
HOSE CONNECTION**



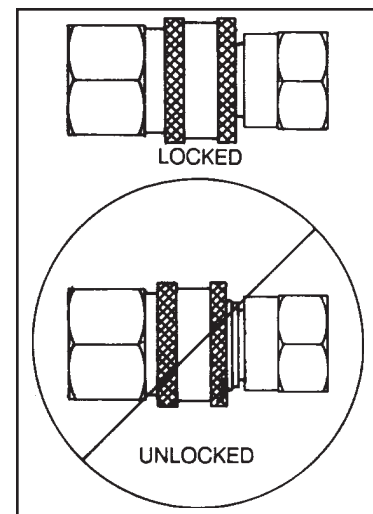
**ILLUSTRATION #2
HIGH PRESSURE HOSE CONNECTION**



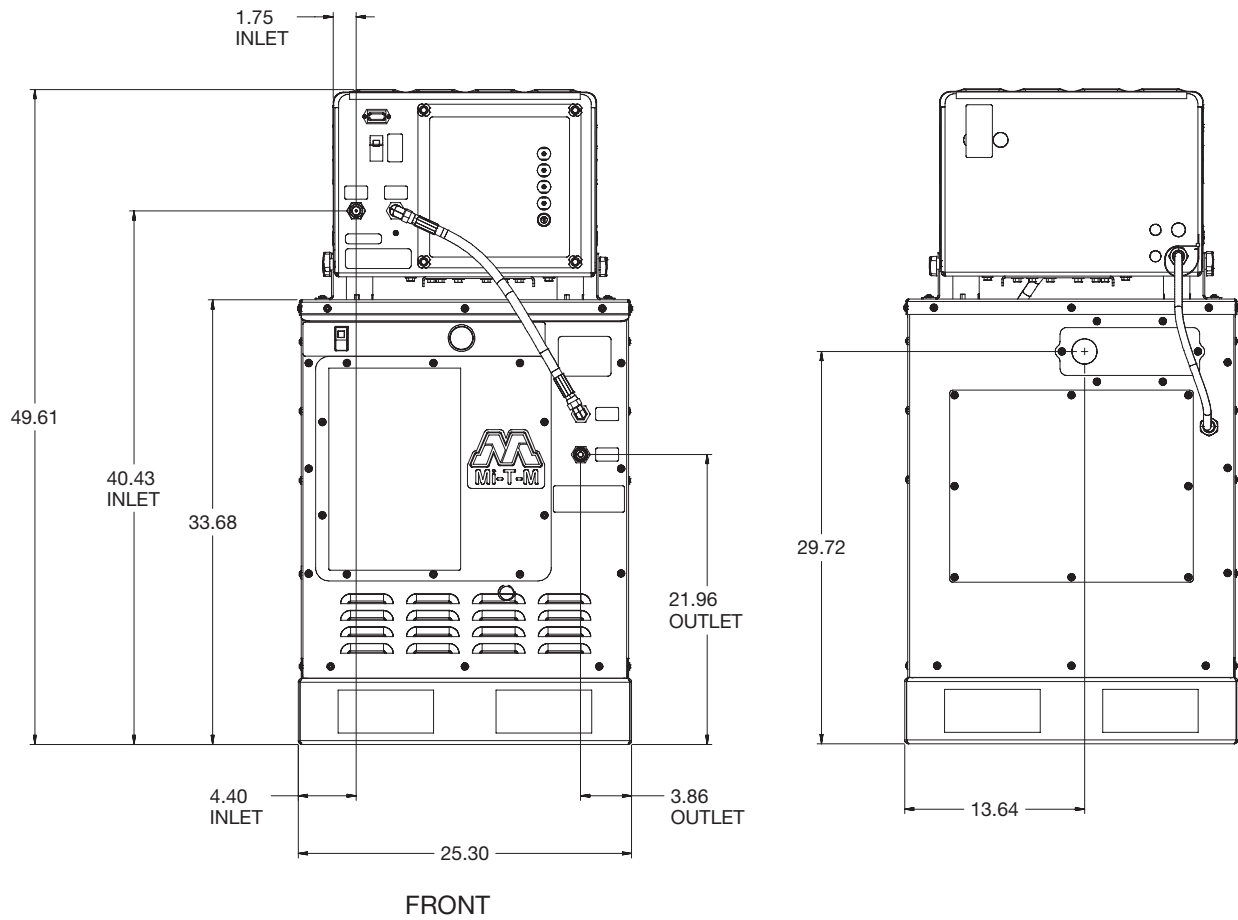
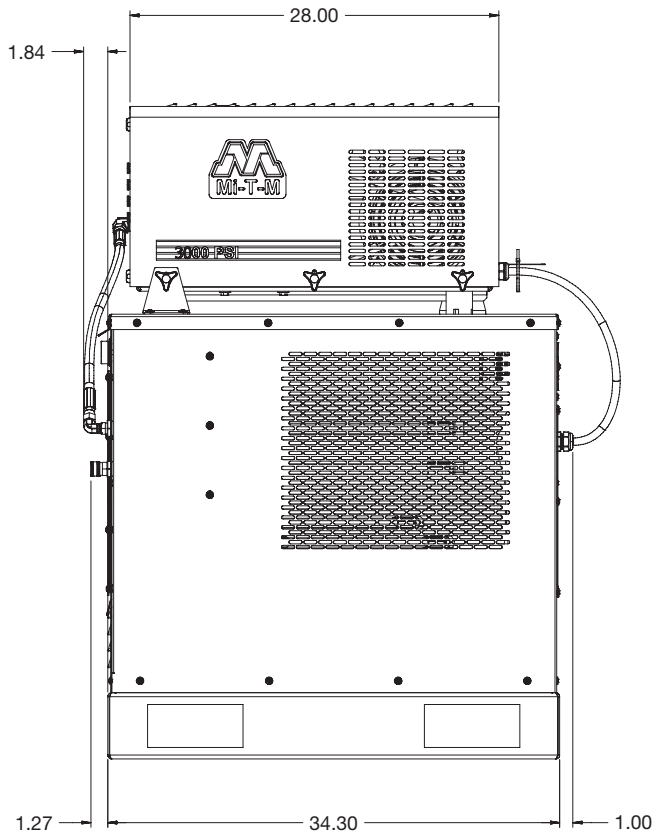
HIGH PRESSURE CONNECTION:

Connect the high pressure discharge hose by connecting one end to the pressure washer and the other end to the gun assembly. Make certain the quick connects are securely locked together. (See illustration #2 and #3)

**ILLUSTRATION #3
QUICK CONNECT**



INSTALLATION



PREPARATION

PRE-OPERATION CHECKLIST:

Before starting the unit, answer the questions in this checklist:

<u>QUESTIONS</u>		
	YES	NO
CODES:		
1. Does the electrical supply meet respected codes?	___	___
LOCATION:		
1. Is the unit installed indoors on a level surface in a dry area protected from excessive wind, rain and moisture?	___	___
ELECTRICAL:		
1. Is the unit properly grounded?	___	___
2. Do all electrical components used meet requirements shown on the unit I.D. Plate and is the voltage correct?	___	___
GENERAL:		
1. Have all operators using this unit read the Installation and Operator's Manual and understood all safety warnings?	___	___
2. Has the unit been installed by qualified service people who followed the Installation and Operator's Manual instructions?	___	___
3. Is there ample water supply?	___	___

IF NO WAS MARKED FOR ANY OF THESE QUESTIONS, CORRECT THE SITUATION BEFORE OPERATINGT.

ATTIRE:

Proper attire is essential to your safety. It is advised to utilize whatever means necessary to protect eyes, ears, and skin. Additional safety attire (such as respiratory mask) may be required when using detergent cleaning agents with this pressure washer.

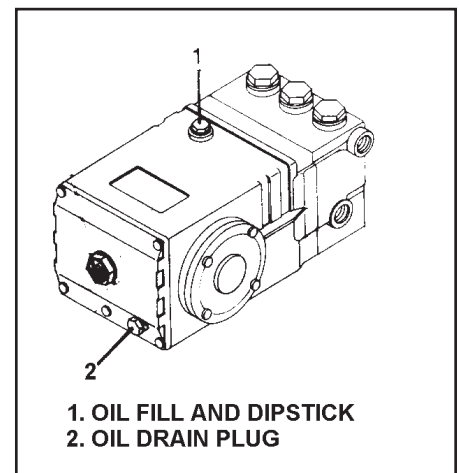


ILLUSTRATION #4

PUMP-REAR OIL GAUGE

PRE-START:

1. Check to ensure the voltage is on.
2. Pump oil level should be checked before each use. Check the oil level with the dipstick on top of the pump crankcase. (See illustration #4.) The proper oil level should be at the notch on the dipstick. If the level appears low, use pump oil SAE20 or 30 non-detergent.



PREPARATION



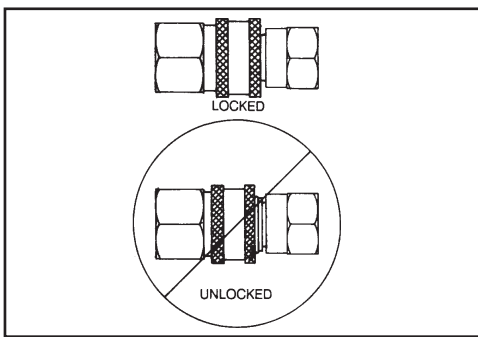
WARNING

RISK OF INJECTION CAUSING SEVERE INJURY!

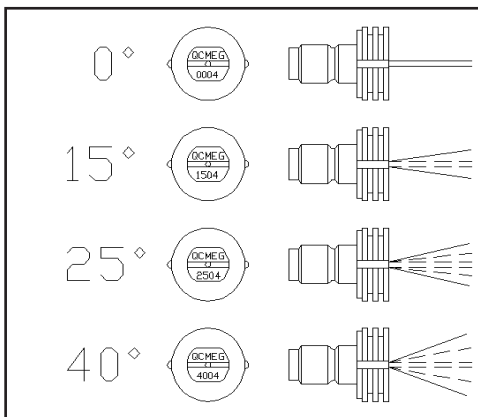
THE TRIGGER GUN SHOULD ALWAYS BE LOCKED IN THE OFF POSITION WHEN NOT IN USE!

NEVER LOOK DIRECTLY AT THE NOZZLE UNLESS IT IS DISCONNECTED FROM THE TRIGGER GUN/DUAL LANCE ASSEMBLY!

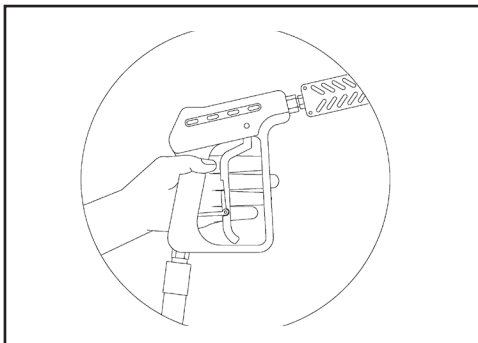
**ILLUSTRATION #5
QUICK CONNECT**



**ILLUSTRATION #6
Q.C. NOZZLES**



**ILLUSTRATION #7
GUN LOCK**



UNLOADER:

The unloader has been preset at the factory and should only be adjusted by a trained serviceman.

QUICK-CONNECT NOZZLES:

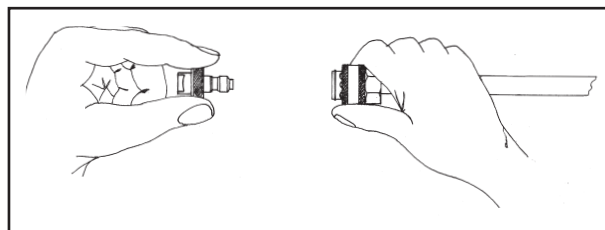
Various nozzles may be quick connected into the end of the adjustable pressure dual lance to change the spray pattern. The detergent nozzle has been pre-installed at the factory. When using Quick-connects (Q.C.), be certain the connection is securely locked. (See illustration #5). If not, the high pressure water may shoot the nozzle from the lance, causing severe injury or serious damage. To determine spray fan, (see illustration #6) refer to the actual number stamped on the nozzle. The first two digits indicate the spray fan in degrees, i.e., 00=0°, 15=15°, 25=25°, 40=40°.

1. **The 0° nozzle (RED):** This is a blasting nozzle. It delivers a very concentrated stream of water. Be cautious when using the straight narrow stream. It is not recommended for use on painted or wood surfaces or items attached with adhesive backings. Uses: Removing weeds from sidewalk cracks, stubborn stains from concrete, masonry, aluminum and steel, caked mud from equipment, and cleaning lawn mower undersides.
2. **The 15° nozzle (YELLOW):** This is a chiseling nozzle. The spray should be directed at a 45° angle to the surface and used like a scraper to remove paint, grease and dirt. Uses: Surface preparation (removing mildew stains and paint chips).
3. **The 25° nozzle (GREEN):** This is a flushing nozzle. This pattern is best suited for flushing dirt, mud, and grime. Uses: Wet sweeping leaves from walk, curbs and driveways, cleaning stable floors, washing swimming pool bottoms, degreasing engines.
4. **The 40° nozzle (WHITE):** This is a wash nozzle. This wide spray pattern disperses the water pressure over a large area and is recommended for moderate washing. Uses: Washing down aluminum siding, cleaning windows, washing vehicles, spraying sidewalks, driveways, and patios.

NOZZLE CONNECTION:

1. Ensure the trigger gun is locked in the OFF position. (See illustration #7)
2. The quick-connect nozzle should be disconnected from the adjustable pressure dual lance at this time. As shown in illustration #8, retract the locking ring on the quick-connect fitting to remove the nozzle.

**ILLUSTRATION #8
NOZZLE CONNECTION**

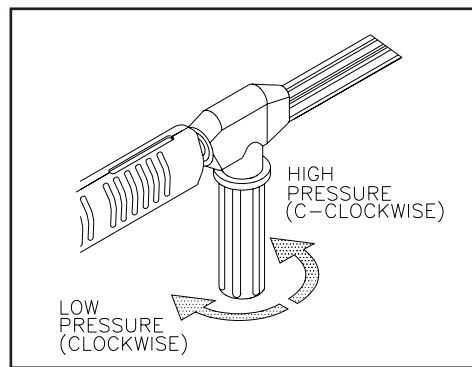


PREPARATION

DUAL LANCE ASSEMBLY WITH ADJUSTABLE PRESSURE:

1. This unit features a dual lance assembly with adjustable pressure which allows the user to select a high or low pressure "fan" spray. Simply rotate the adjustable grip on the dual lance to achieve the desired pressure selection.
 - a. Selection of high pressure can be achieved by turning the adjustable grip on the dual lance **counterclockwise** as shown in illustration #9.
 - b. Selection of low pressure can be achieved by turning the adjustable grip on the dual lance **clockwise** as shown in illustration #9. If using the detergent injector accessory, once the pressure is low enough, this injector will draw detergent into the system. A water/detergent mixture exits from both the spray nozzle and detergent nozzle.

ILLUSTRATION #9
DUAL LANCE



PRE-START INSPECTION PROCEDURES:

1. Before starting the unit, perform the following procedures:
 - a. Check all hose connections to ensure they are securely tightened.
 - b. Inspect for system water and oil leaks.
 - c. Inspect high pressure hoses for kinking, cuts and leaks. If a cut or leak is found, **DO NOT USE HOSE!** Replace hose before starting unit. See "Risk of Injection" warnings. Be sure that all damaged parts are replaced and that the mechanical problems are corrected prior to operation of the unit. If you require service, contact your Customer Service Representative.

WARNING

THE FOLLOWING PAGES CONTAIN OPERATING AND MAINTENANCE INSTRUCTIONS.

DO NOT ATTEMPT TO OPERATE THIS PRESSURE WASHER UNTIL YOU HAVE READ AND UNDERSTOOD ALL SAFETY PRECAUTIONS AND INSTRUCTIONS LISTED IN THIS MANUAL. FOLLOW THE MAINTENANCE INSTRUCTIONS SPECIFIED IN THE MANUAL.

INCORRECT OPERATION OF THIS UNIT CAN CAUSE SERIOUS INJURY!!

DO NOT ALTER OR MODIFY THIS EQUIPMENT IN ANY MANNER!

OPERATING INSTRUCTIONS

Once your unit has been installed by a qualified serviceman and you have completed the PRE-OPERATION CHECKLIST on pg. 13, you are ready for operation. The following steps will help you operate your machine safely.

FLUSHING THE SYSTEM:

1. This unit has a stainless steel coil which, after setting, may cause the water remaining in the coil from the previous usage to turn brown or black. This water must be flushed from the system before start-up. This procedure should be performed **without** the gun and adjustable pressure dual lance installed.
 - a. Verify the water supply is on.
 - b. Move the pump switch to the "ON" position to start the pumping unit.
 - c. Run the unit for 3-5 minutes.
 - d. Turn off machine.
 - e. Once the system is flushed, connect the trigger gun and adjustable pressure dual lance to the high pressure hose.

COLD WATER OPERATION:

1. Refer to the "Safety Precautions" pgs. 4-8 before starting the unit.
2. Locate the Safety Decals on your unit and heed their warnings.
3. Ensure that the heat exchanger switch is in the "OFF" position.
4. Pointing the trigger gun in a safe direction, unlock the trigger gun and squeeze the trigger. Brace yourself for possible gun kickback when the pump starts.
5. Move the pump switch to the "ON" position to start the pumping unit.
6. Once the unit has started, perform the following procedures with the gun open:
 - a. Inspect for system water and oil leaks.
 - b. Inspect high pressure hoses for leaks. If a leak is found, **DO NOT TOUCH HOSE AT LEAK!!! TURN UNIT OFF IMMEDIATELY!** Replace hose before using the unit. See "Risk of Injection" warnings, pg. 7. Be sure that all damaged parts are replaced and that the mechanical problems are corrected prior to operation of the unit.
7. At this point, the unit is operating as a cold water pressure washer. Trigger the gun several times and try adjusting the water pressure by rotating the grip on the dual lance. **NEVER** place hand or fingers in front of the nozzle or look directly into the nozzle! High pressure water creates a risk of severe injury!
8. Do not allow unit to operate in bypass mode (with trigger closed) for more than three minutes without triggering the gun. Failure to follow this simple rule can cause premature failure of pump packing seals, resulting in costly pump repair.
9. Your pressure washer can deliver high pressure spray and a variety of spray patterns using cold water. If you wish to use the hot water application or cleaning with detergents, see pg. 19 for the correct procedures.



CAUTION

RISK OF UNIT DAMAGE!

BE CERTAIN THE GUN & DUAL LANCE ASSY. ARE NOT CONNECTED TO THE UNIT WHILE FLUSHING THE SYSTEM. FLUSHING ALLOWS MINERAL DEPOSITS TO BE RELEASED FROM THE SYSTEM WHICH WOULD OBSTRUCT OR DAMAGE THE GUN AND NOZZLE ASSEMBLY RESULTING IN COSTLY REPAIRS.



DANGER

RISK OF INJECTION CAUSING SEVERE INJURY!

KEEP CLEAR OF NOZZLE! NEVER PLACE HAND OR FINGERS IN FRONT OF NOZZLE!

DO NOT DIRECT DISCHARGE STREAM AT PEOPLE OR PETS!



CAUTION

RISK OF DAMAGE!

DONOT ALLOW SPRAY PATTERN TO REMAIN ON A FIXED AREA FOR AN EXTENDED PERIOD OF TIME. POSSIBLE DAMAGE MAY OCCUR TO THE AREA.

OPERATING INSTRUCTIONS



WARNING

RISK OF BURN!

**THE WATER TEMPERATURE
COULD BECOME VERY
HOT DURING HOT WATER
OPERATION. BE CAUTIOUS
WHEN ADJUSTING PRESSURE
OR CONTROLLING THE TRIGGER
GUN/DUAL LANCE ASSEMBLY.**

HOT WATER OPERATION:

1. Follow the steps outlined for "COLD WATER OPERATION."
2. Move the heat exchanger switch to the ON position. On initial start-up, water will begin turning hot in approximately 60 seconds and will reach maximum temperature in approximately 3-5 minutes, provided the trigger remains squeezed. The heat exchanger will stop firing when the trigger is released.
3. Set thermostat to the desired setting.

At this point, the unit is operating as a hot water pressure washer. Be certain to be extremely cautious when adjusting the pressure and controlling the trigger gun/dual lance assembly to avoid the possibility of burns.

CLEANING WITH DETERGENTS:

This feature is designed for use with mild detergents only. Do not use corrosives as they will cause extensive damage as well as pose a considerable safety hazard.

1. Refer to "Detergent Cleaning Precautions" pg. 8 before working with detergents. Be certain to wear protective safety attire as stated on pg. 14.
2. Quick connect the detergent injector between the unit outlet and the high pressure hose.
3. Prepare detergent solution according to label directions. (Never pump acids, alkalines, abrasive fluids or solvents through the unit.)
4. Fully immerse the *strainer end* of the clear vinyl detergent hose into the detergent solution.
5. Adjust the amount of detergent desired by turning the detergent adjustment knob to the desired setting.
6. Turn the pressure control handle on the dual lance assembly counterclockwise to lower pressure and divert water flow through the detergent nozzle.

NOTE: This injection system is designed to apply detergents under low pressure only. It will not allow detergent solutions to be introduced into the system in high pressure mode.

7. To apply solution, unlock the trigger gun and squeeze the trigger. In a few moments a detergent/water mixture will exit the nozzle. Start spraying the lower portion of the surface being cleaned and move up, using long overlapping strokes. Applying from the bottom up helps avoid streaking. Allow to soak briefly. Avoid working on hot surfaces or in direct sunlight to minimize the chances of the detergent drying, which may result in damaging surfaces. Be certain to clean a small section at a time.
8. When you finish washing, rinse by simply turning the variable pressure control handle clockwise. It will take about 30 seconds to purge all detergent from the line. For best rinsing results, start at the top and work down.
9. Siphon a gallon of water through the detergent system after each use. This prevents the possibility of corrosion or detergent residue causing mechanical problems during the next use.

OPERATING INSTRUCTIONS

SHUTDOWN:

1. If the heat exchanger switch is still on, turn it off.
2. Squeeze the trigger and discharge the water for a period of 3-5 minutes to cool the heat exchanger and high pressure hose. (Insufficient cool down period of the high pressure hose will cause excessive wear and eventual rupturing of the hose.)
3. Move the pump switch to the "OFF" position to stop the pumping unit. If machine has the time-delay shut-down option, wait for timer to time-out and shut machine off. See below for more information on time-delay shutdown.
4. Trigger the gun momentarily to relieve trapped pressure.

MAINTENANCE

PREVENTIVE MAINTENANCE:

LEAKS:

Promptly eliminate any leaks found in the pumping system by removing suspect parts, applying thread sealant to the threads and reinstalling.

NOTE: *If using teflon tape, be certain no tape gets inside any plumbing to prevent the possibility of a plugged spray nozzle.*

QUICK COUPLERS:

There are o-ring seals inside the couplers which will deteriorate. To replace, simply install a replacement o-ring to correct the leak. (See illustration #10) (Additional o-rings can be purchased from your dealer.)

NOZZLE:

Water flow through the spray nozzle will erode the orifice, making it larger, resulting in a pressure loss. Nozzles should be replaced whenever pressure is less than 85% of the maximum. The frequency of replacement will depend upon such variables as mineral content in the water and number of hours the nozzle is used.

PUMP:

1. Change the pump oil after the first 50 hours of operation. After initial change, every 3 months or 250 hour intervals are recommended. If oil appears dirty or milky, changes may be required in greater frequency.
2. Locate the pump oil drain hose.
3. Use an empty container to catch the oil and remove the plug from the drain line. (See illustration #11)
4. Let all the oil drain from the pump and replace drain plug. Dispose of used oil according to local, state and national regulations.
5. Fill the pump crankcase to the notch on the dipstick with pump oil SAE20 or 30 non-detergent. Do not overfill.

BELT TENSION:

Ensure unit is off. Remove the side panel or lift lid to inspect the v-belt for wear and tightness. If the v-belt needs to be replaced or tightened, follow the procedures listed below and see illustration #12.

REPLACEMENT:

1. Loosen the four pump mounting bolts (A).
2. Loosen the two alignment nuts approximately one inch on the alignment bolts (B1 & B2).
3. Slide the pump toward the motor to loosen belts.
4. Remove and replace belt.

TIGHTEN: (If v-belt was not replaced, you will need to loosen the nuts on the alignment bolts B1 and B2 before proceeding.)

1. Tighten B2 alignment bolt. The pump will shift to the left until there is tension on the belt. Then tighten B2 nut.
2. Tighten B1 alignment bolt, until sheaves are straight. (Use a straightedge for alignment.)
3. Push on the v-belt to check belt deflection for tension. There should be 1/4" to 1/2" deflection for correct tension.
4. If sheaves are straight and tension is correct, tighten B1 nut and the four pump mounting bolts (A).
5. If tension is not correct, repeat steps 6 and 7 until correct alignment and tension is achieved. Tighten the four mounting bolts (A) when completed.
6. Loosen B2 nut, tighten B2 bolt, tighten B2 nut.
7. Loosen B1 nut, tighten B1 bolt, tighten B1 nut.

ILLUSTRATION #10
QUICK COUPLERS

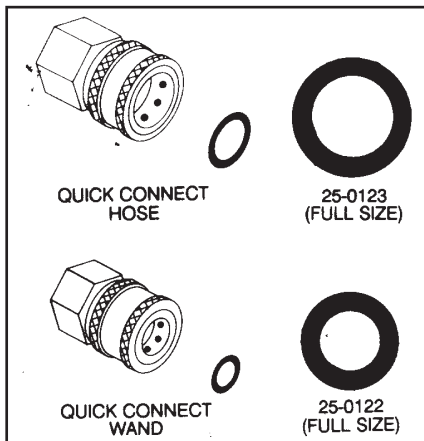


ILLUSTRATION #11
PUMP OIL DRAIN

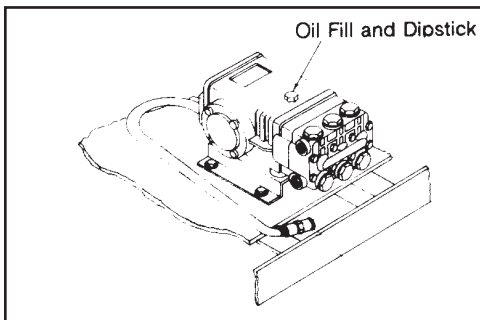
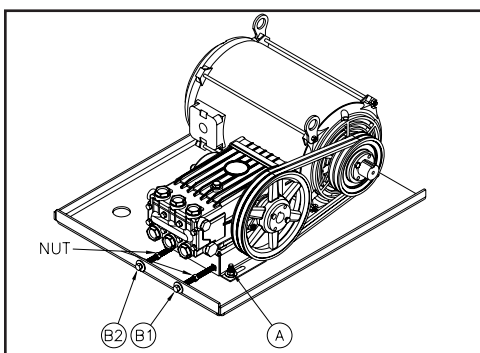


ILLUSTRATION #12
BELT TENSION ADJUSTMENT



MAINTENANCE

TEST VOLTAGE & AMP DRAW: Use a volt meter and amp meter to test the machine for correct voltage and amperage. If you do not have these instruments or do not know how to use them, this procedure should be performed by an authorized service technician.

DELIME COIL:

A loss in pressure may signify that the coil needs to be delimed. Do this procedure on a periodic basis.

1. Mix deliming powder/solution according to package directions.
2. Remove the nozzle from the wand. Place a nylon stocking over the wand assembly to collect debris, then place the wand assembly into the float tank.
3. Turn the switch to the "Pump" position. Water will circulate throughout the system and back into the float tank. Allow circulation to continue for 2-4 hours.
4. Turn the switch to the "Off" position. Drain and clean the float tank. Remove nylon stocking and clean wand assembly.
5. Flush the entire system with clean, fresh water, then replace nozzle into wand assembly.
6. Dispose of deliming solution according to local, state and national regulations.

MAINTENANCE

WINTERIZING:

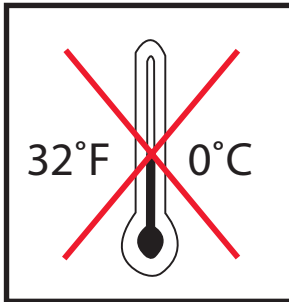
For storage and transportation purposes in subfreezing ambient temperatures, it will be necessary to winterize this unit. This unit must be protected to the lowest incurred temperature for the following reasons:

1. If any part of the pumping system becomes frozen; excessive pressure may build up in the unit which could cause the unit to burst resulting in possible serious injury to the operator or bystanders.
2. The pumping system in this unit may be permanently damaged if frozen. FREEZE DAMAGE IS NOT COVERED BY WARRANTY.

If you must store your unit in an area where the temperature may fall below 32°F, you can protect your unit by following the procedure outlined below.

1. Gather the following items:
 - a. Two 5 gallon containers.
 - b. One gallon of antifreeze. (The manufacturer recommends an environmentally safe antifreeze.)
 - c. Water supply.
 - d. Three foot hose, 1/2-3/4 I.D. with a 3/4 inch male garden hose fitting.
2. Procedure:
 - a. To start winterizing, unit must be run and primed according to the "Start-up Procedures" listed on page 16.
 - b. After running and priming, shut off the unit and water supply.
 - c. Relieve system pressure by pointing the trigger gun in a safe direction and squeezing the trigger until water flow ceases to exit the nozzle.
 - d. Lock the trigger gun in an OFF position and remove the nozzle.
 - e. Remove the water supply hose from the unit and attach the 3 foot hose securely to the inlet connection.
 - f. Shut off the detergent injector if applicable.
 - g. Fill one 5 gallon bucket with water.
 - h. Holding the 3 foot hose in an upright position, completely fill the hose with water. Then plug the hose outlet with your thumb or finger. Place the plugged end into the 5 gallon bucket of water.
 - i. Turn the unit on. Trigger the gun several times until all the air is worked out of the system (unit is primed).
3. Optional Procedure:
 - a. Shut the unit off.
 - b. Relieve system pressure by pointing the trigger gun in a safe direction and squeezing the trigger until water flow ceases to exit the nozzle.
 - c. Disconnect and drain the hose, gun and wand.
 - d. Start the unit and allow it to run until all the water exits the unit. Once the water has stopped flowing from the unit, turn off.

NOTE: When using this procedure, caution should be used as ice chips can form from drops of water which could cause the unit to burst if starting before completely thawed.



MAINTENANCE

PREVENTIVE OPERATOR MAINTENANCE CHART

PROCEDURE	DAILY	3 MONTHS	6 MONTHS	9 MONTHS	12 MONTHS
Gas leak inspection	X				
Water leak inspection	X				
Oil leak inspection					
Quick-connect and hose inspection	X				
Check pump oil level	X				
Change pump oil*		X	X	X	X
Check belt tension		X	X	X	X
Replace high pressure nozzle		X	X	X	X
Test water pressure			X		X
Test water temperature			X		X

*The pump oil must be changed after the first 50 hours of operation and every 250 hours or 3 months, whichever comes first.

DEALER MAINTENANCE CHART

PROCEDURE	12 MONTHS
Descale coil*	X
Test Voltage & Amp Draw	X

*Scale build-up will vary with mineral content in the water and amount of usage. Descaling can range from monthly to yearly maintenance.

TROUBLESHOOTING
FOR CUSTOMER SERVICE CALL 1-800-648-8478

SYMPTOM	PROBABLE CAUSE	REMEDY
Motor will not run.	Circuit overload. Secondary circuit overload. Motor overload.	Determine if voltage is on. If not, check wall breaker or fuse. Check primary and secondary fuses on transformer. Reset thermal overload button on pump motor or thermal overload in electrical box. Contact Customer Service.
No discharge at nozzle when trigger mechanism is squeezed.	Water turned off.	Check incoming water supply. Increase hose diameter and provide adequate water supply (20 PSI, 6 GPM).
Low or fluctuating pressure.	Inadequate water supply. Pump sucking air. (Prime eliminated.) High pressure detergent valve is open without the end of the hose inserted into detergent (causes vacuum leak and eliminates prime). Kink in high pressure discharge hose. Adjustable grip on dual lance is not in high pressure mode. Obstructed or worn spray nozzle. Damaged or obstructed valve assy. in pump. Pump packings worn. Unloader/bypass valve not operating correctly.	Tighten all water intake connections. Eliminate leaks in intake line. Close valve or submerge detergent hose into solution. Reprime pump. Replace kinked high pressure hose. Turn grip counterclockwise to move to high pressure. Remove, clean or replace. Remove, clean or replace. Replace packings. Repair or replace.
Oil appears milky or foamy.	Water in oil.	Change pump oil. Fill to proper level.
Oil leaking from pump.	Worn seals or o-rings.	Contact Customer Service.
Detergent will not siphon.	Detergent strainer is not completely submerged in detergent solution. Detergent strainer obstructed. Detergent hose cut, obstructed or kinked. Detergent adjusting knob turned to "OFF" position.	Check, submerge if necessary. Inspect, clean or replace. Inspect, clean or replace. Open adjusting knob. Refer to "Cleaning With Detergents," pg. 18.
Water flows from the nozzle when the trigger gun is locked in OFF position.	Trigger gun is malfunctioning.	Repair or replace.

TROUBLESHOOTING

FOR CUSTOMER SERVICE CALL 1-800-648-8478

SYMPTOM	PROBABLE CAUSE	REMEDY
Heat exchanger will not ignite.	Heat exchanger switch not in ON position. Thermostat knob is OFF. Trigger gun is closed. Pressure switch failure.	Check switch position. Check thermostat knob position. Open trigger gun for pressure. Repair or replace.
Heater will not heat up.	Heat exchanger failure.	Replace
Water is leaking under heat exchanger coil.	Ruptured heat exchanger coil.	Replace.

STATEMENT OF WARRANTY FOR HAE-HOT WATER PRESSURE WASHERS

The manufacturer warrants all parts (except those referred to below) of your new pressure washer to be free from defects in materials and workmanship during the following periods:

For Lifetime against freezing and cracking:
Pump Manifold

For Seven (7) Years from the date of original purchase:
High Pressure Pump

For Three (3) Years from the date of original purchase:
Heat Exchanger Coil

For Two (2) Years from the date of original purchase:
Guard or Shields Plumbing
Frames Pulleys

For One (1) Year from the date of original purchase:
Gas Valve Ignition Control
Adjustable Thermostat Control Transformer

For Ninety (90) Days from the date of original purchase:
Unloader Valve Pressure Switch
Ignitor Assembly High Limit Thermostat

For Thirty (30) Days from the date of original purchase:
High Pressure Hose Trigger Gun
Strainers/Filters Wand

Defective parts not subject to normal wear and tear will be repaired or replaced at our option during the warranty period. In any event, reimbursement is limited to the purchase price paid.

EXCLUSIONS

1. Engine/motor is covered under separate warranty by its respective manufacturer and is subject to the terms set forth therein.
2. Normal wear parts:
Pump Packings Spray Nozzles
Pump Valves Detergent Valves
O-ring Quick Couplings/screw connects
Belts
3. This warranty does not cover parts damaged due to normal wear, misapplication, misuse, operation at other than recommended speeds, pressures or temperature. Parts damaged or worn because of the use of caustic liquids or by operation in abrasive or corrosive environments or under conditions causing pump cavitation are not warranted. Failure to follow recommended operating and maintenance procedures also voids warranty.
4. The use of other than Genuine Repair Parts will void warranty. Parts returned, prepaid to our factory or to an Authorized Service Center will be inspected and replaced free of charge if found to be defective and subject to warranty. There are no warranties which extend beyond the description of the face hereof. Under no circumstances shall the manufacturer bear any responsibility for loss of use of the unit, loss of time or rental, inconvenience, commercial loss or consequential damages.

TABLE DES MATIÈRES

INTRODUCTION.....	29
AVERTISSEMENTS CONCERNANT LA SÉCURITÉ.....	30-34
COMPOSANTS DES LAVEURS	35
INSTALLATION	36-38
PRÉPARATION.....	39-41
INSTRUCTION D'UTILISATION.....	43-45
ENTRETIEN.....	46-49
TABLEAU DE MAINTENANCE.....	50
DEPANNAGE.....	51-52
CONDITIONS DE GARANTIE.....	53

⚠ AVERTISSEMENT

⚠ AVERTISSEMENT: Ce produit peut vous exposer à des produits chimiques, tel que le plomb, qui est reconnu par l'état de la Californie comme étant une cause de cancer, d'anomalies congénitales et d'autres problèmes liés à la reproduction. Pour plus de renseignements, aller à www.P65Warnings.ca.gov

⚠ AVERTISSEMENT

⚠ AVERTISSEMENT: Ce produit peut vous exposer à des agents chimiques, y compris le monoxyde de carbone, identifiés par l'État de Californie comme pouvant causer des malformations congénitales ou autres troubles de l'appareil reproducteur. Pour de plus amples informations, prière de consulter www.P65Warnings.ca.gov.

**CODES NATIONAUX:
NFPAN°70(NEC)-CODE NATIONAL ÉLECTRIQUE (É-U)
AU CANADA; SE RÉFÉRER AU CODE ÉLECTRIQUE
CANADIEN CSA C22.1 PARTIE 1**

INTRODUCTION

Nous vous félicitons d'avoir acheté ce nouveau laveur haute pression ! Soyez assuré que votre laveur haute pression a été conçu et construit avec un souci de qualité et de haute performance. Chaque composant a subi des essais rigoureux pour garantir le plus haut degré de satisfaction.

Ce manuel de l'utilisateur, établi à votre intention, est composé de simples rubriques consacrées à la sécurité, à l'installation, à l'exploitation, à l'entretien et au dépannage de votre nouveau laveur haute pression. En lisant ce manuel et en observant scrupuleusement les instructions fournies, vous serez assuré d'un fonctionnement sans problème pendant de longues années. Le contenu de ce manuel est basé sur les informations les plus récentes disponibles au moment de la publication sur les divers composants du laveur. Manufacturé se réserve le droit de modifier le prix, la couleur, les matériaux, l'équipement, les spécifications ou les modèles sans aucun préavis.

Ces paragraphes sont insérés dans un « **ENCADRÉ DE SÉCURITÉ** ». Cet encadré identifie et signale des avertissements de sécurité qui doivent être suivis durant la marche du laveur haute pression. Accompagnant ces avertissements de sécurité, des mots clés indiquent le sérieux du danger. Les mots clés utilisés dans ce manuel sont les suivants :

- DANGER :** indique une situation présentant un danger imminent qui, s'il elle n'est pas évitée, **VA provoquer des blessures graves, voire mortelles.**
- ATTENTION :** indique une situation potentiellement dangereuse qui, s'il elle n'est pas évitée, **RISQUE de provoquer des blessures graves, voire mortelles.**
- MISE EN GARDE :** indique une situation potentiellement dangereuse qui, s'il elle n'est pas évitée, **RISQUE de provoquer des blessures légères ou de gravité moyenne.**



Les symboles à gauche de ce paragraphe sont des symboles avertisseurs. Ces symboles attirent l'attention du lecteur quant aux éléments et procédures présentant un danger potentiel pour lui et pour les autres utilisateurs de ce matériel. **TOUJOURS FOURNIR UNE COPIE DE CE MANUEL À QUICONQUE UTILISE CE MATÉRIEL. L'OPÉRATEUR DOIT LIRE TOUTES LES INSTRUCTIONS AVANT D'UTILISER CE LAVEUR HAUTE PRESSION, EN INSISTANT BIEN SUR LES AVERTISSEMENTS TOUCHANT À LA SÉCURITÉ POUR ÉVITER LES RISQUES DE BLESSURES.**

Une fois l'appareil déballé, inscrire immédiatement son numéro de série à la ligne ci-dessous.

NUMÉRO DE SÉRIE _____

Inspecter le matériel reçu pour vérifier qu'aucun dommage évident ou caché n'est présent. En cas de dommages, porter immédiatement une réclamation auprès du transporteur. S'assurer que toutes les pièces endommagées ont été remplacées et que tous les problèmes d'ordre mécanique ou électrique ont été résolus avant de mettre l'appareil en marche. Si un dépannage est nécessaire, contacter le service clients.

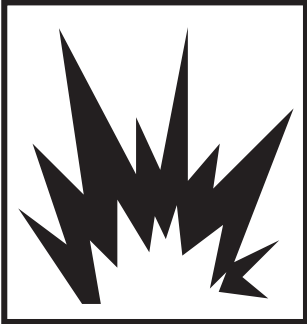

En cas d'appel de dépannage, avoir sous la main toutes les informations ci-dessous :

1. Numéro de modèle
2. Numéro de série
3. Date et lieu d'achat

AVERTISSEMENTS CONCERNANT LA SÉCURITÉ


APPLIQUER SYSTÉMATIQUEMENT LES MESURES DE PRÉCAUTION ÉLÉMENTAIRES, COMME:

LIRE TOUS LES AVERTISSEMENTS DE SÉCURITÉ AVANT L'INSTALLATION ET L'EXPLOITATION DU LAVEUR HAUTE PRESSION.

DANGER	CONSEQUENCES POSSIBLES	PREVENTION
<p data-bbox="147 260 459 315">RISQUE D'INCENDIE OU D'EXPLOSION</p>  	<p data-bbox="532 260 920 331">Une installation incorrecte peut entraîner des blessures graves, voire mortelles.</p> <p data-bbox="532 457 920 554">Faute d'un entretien correct, les dispositifs de sécurité peuvent mal fonctionner et entraîner des blessures graves, voire mortelles.</p>	<p data-bbox="943 260 1472 331">L'installation de cet appareil, tuyauterie de gaz incluse, doit se conformer à tous les codes locaux, provinciaux et nationaux.</p> <p data-bbox="943 464 1472 512">Ne jamais laisser un appareil en fonctionnement sans surveillance.</p> <p data-bbox="943 527 1472 623">Ne pas se servir de ce laveur haute pression pour pulvériser des liquides inflammables! Les liquides inflammables peuvent produire des vapeurs susceptibles de s'embraser.</p> <p data-bbox="943 638 1472 779">Ce laveur haute pression incorpore de nombreux dispositifs de sécurité que l'on ne doit jamais altérer, modifier, retirer ou rendre inopérant. Remplacer immédiatement un dispositif de sécurité défectueux par un dispositif de rechange en provenance du fabricant.</p>


AVERTISSEMENTS CONCERNANT LA SÉCURITÉ

LIRE TOUS LES AVERTISSEMENTS DE SÉCURITÉ AVANT L'INSTALLATION ET L'EXPLOITATION DU LAVEUR HAUTE PRESSION.

DANGER	CONSEQUENCES POSSIBLES	PREVENTION
<p>RISQUES D'ÉLECTROCUTION OU DE CHOC ÉLECTRIQUE</p> 	<p>Une installation incorrecte peut entraîner des blessures graves, voire mortelles.</p> <p>Une mise à la masse incorrecte du laveur haute pression peut entraîner des blessures graves, voire mortelles. Ce laveur haute pression marche à l'électricité et risque de provoquer des électrocutions ou des chocs électriques s'il est utilisé de manière incorrecte.</p> <p>Des chocs électriques sont possibles si le laveur haute pression est utilisé de manière incorrecte.</p> <p>Le contact avec la source de courant peut entraîner des blessures graves, voire mortelles.</p> <p>Des réparations électriques par des personnes non qualifiées peuvent entraîner des blessures graves, voire mortelles.</p>	<p>L'installation de cet appareil, y compris tous les raccordements électriques, doit se conformer à tous les codes locaux, provinciaux et nationaux. (Parmi les normes à respecter, la norme NFPA N° 70/NEC Code électrique national. Au Canada; Se référer au code électrique Canadien CSA C22.1 Partie 1).</p> <p>Cet appareil doit être branché à une installation électrique permanente avec mise à la terre; ou un fil conducteur relié à une terre doit être tiré avec les fils conducteurs du circuit électrique et branché sur la borne de mise à la terre de l'appareil.</p> <p>Vérifier que le laveur haute pression est branché à une source correctement mise à la terre, fournissant la tension correcte et protégée comme il se doit par un disjoncteur. Couper l'alimentation électrique lorsque l'appareil est inutilisé ou avant de procéder à des réparations.</p> <p>Ne jamais utiliser le laveur haute pression lorsque ses armoires électriques sont ouvertes, démontées ou endommagées.</p> <p>Ne pas toucher la machine avec des mains mouillées ou si l'on est sur un sol mouillé. Ne jamais laisser les câbles d'alimentation ni une quelconque connexion reposer dans l'eau.</p> <p>NE JAMAIS diriger directement le jet de pulvérisation vers du matériel électrique, quel qu'il soit ! Ceci inclut les prises électriques, les ampoules, les tableaux de distribution, les transformateurs, l'appareil lui-même, etc.</p> <p>NE JAMAIS mettre en contact les parties métalliques du laveur haute pression avec des composants sous tension.</p> <p>Toute réparation ou câblage électrique de ce laveur haute pression doit être effectué par un réparateur agréé et conformément aux codes électriques locaux et nationaux.</p> <p>Avant d'ouvrir une quelconque armoire électrique, toujours éteindre puis dépressuriser le laveur haute pression et le débrancher de son alimentation électrique. Attendre qu'il se refroidisse. Ne jamais présumer que l'on peut intervenir sans danger sur le laveur haute pression simplement parce qu'il est arrêté. Il pourrait redémarrer à tout moment !</p>


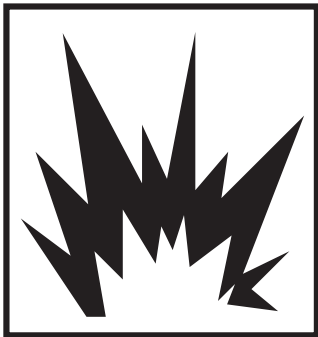

AVERTISSEMENTS CONCERNANT LA SÉCURITÉ

LIRE TOUS LES AVERTISSEMENTS DE SÉCURITÉ AVANT L'INSTALLATION ET L'EXPLOITATION DU LAVEUR HAUTE PRESSION.

DANGER	CONSEQUENCES POSSIBLES	PREVENTION
<p>RISQUES D'INJECTION OU DE COUPURE GRAVE</p> 	<p>La pulvérisation à haute pression risque de pénétrer la peau et de provoquer des blessures graves, voire mortelles.</p>	<p>Se tenir à distance de la buse et de la pulvérisation ! Ne jamais placer la main, les doigts ou toute partie du corps sur la buse de pulvérisation.</p> <p>Ne jamais pointer la pulvérisation à haute pression dans votre direction ou en direction de quiconque.</p> <p>Se tenir à l'écart du jet. Ne pas diriger le jet de sortie vers d'autres personnes.</p> <p>Ce produit est destiné uniquement à des personnes formées à son utilisation.</p> <p>Personne ne doit se trouver dans la zone d'utilisation de l'appareil.</p> <p>Pour réduire le risque de blessures, surveiller les enfants de près quand vous vous servez de l'appareil à côté d'eux. INTERDIRE aux enfants d'utiliser cet appareil.</p> <p>OBTENIR DES SOINS MÉDICAUX D'URGENCE si la pulvérisation paraît avoir pénétré la peau ! NE PAS TRAITER CECI COMME UNE SIMPLE COUPURE ! Être prêt à informer le médecin du type de produits nettoyants utilisé en consultant les fiches signalétiques (MSDS) fournies avec les détergents.</p> <p>Les boyaux haute pression doivent être inspectés quotidiennement pour vérifier l'absence de signes d'usure. Si une défectuosité est évidente, remplacer tous les boyaux suspects pour éviter le risque de blessures par la pulvérisation haute pression. Si un boyau ou un raccord fuit, NE PLACER JAMAIS LA MAIN DIRECTEMENT SUR LA FUITE.</p> <p>Avant d'utiliser le laveur haute pression, ou lors de la connexion par raccord rapide des boyaux haute pression aux buses de pulvérisation, s'assurer que le collier du raccord rapide femelle est soigneusement verrouillé afin d'éviter une décharge fortuite et que tous les raccords d'accouplement rapide sont solidement engagés.</p> <p>NE JAMAIS UTILISER le pistolet avec sa gâchette bloquée en position ouverte. Pour éviter des décharges accidentelles, cette gâchette doit être solidement verrouillée lorsque le pistolet est inutilisé.</p> <p>Avant de démonter la buse de pulvérisation ou avant un dépannage de l'appareil, TOUJOURS arrêter l'appareil et appuyer sur la gâchette du pistolet pour relâcher la pression résiduelle au sein du système. (Même après l'arrêt de l'appareil, la pompe, le boyau et le pistolet contiennent encore de l'eau sous forte pression, la pression n'étant dissipée qu'en actionnant la gâchette du pistolet.)</p>


AVERTISSEMENTS CONCERNANT LA SÉCURITÉ

LIRE TOUS LES AVERTISSEMENTS DE SÉCURITÉ AVANT L'INSTALLATION ET L'EXPLOITATION DU LAVEUR HAUTE PRESSION.

DANGER	CONSEQUENCES POSSIBLES	PREVENTION
<p style="text-align: center;">RISQUES DE BRÛLURES</p> 	<p>Le fait de toucher l'échangeur de chaleur risque de provoquer de graves blessures. Ces pièces peuvent rester brûlantes, même après l'arrêt du laveur haute pression.</p>	<p>Veiller à ne jamais toucher l'échangeur.</p>
<p style="text-align: center;">RISQUES D'ÉCLATEMENT</p> 	<p>Si l'on utilise des composants, ou accessoires incorrects, de graves blessures sont à craindre par suite d'un mauvais fonctionnement du laveur haute pression ou de l'explosion d'un de ses accessoires.</p> <p>Toute tentative de mise en marche d'un laveur haute pression gelé risque de provoquer des blessures graves, voire mortelles.</p>	<p>Ne jamais modifier les réglages de pression faits en usine.</p> <p>Ne jamais dépasser la pression maximale permise par le fabricant des accessoires utilisés.</p> <p>Pour éviter des éclatements accidentels, faire en sorte qu'aucun boyau ne puisse venir en contact avec l'échangeur de chaleur. Éviter de traîner les boyaux sur des surfaces abrasives, telles les surfaces cimentées.</p> <p>N'utiliser que des pièces de rechange recommandées par le fabricant du laveur haute pression.</p> <p>En cas de gel, l'appareil doit toujours être suffisamment chaud pour empêcher la formation de glace à l'intérieur. Ne pas mettre en marche le laveur tant qu'il n'est pas dégelé.</p>
<p style="text-align: center;">RISQUES POSÉS PAR LES PIÈCES EN MOUVEMENT</p> 	<p>Les pièces en mouvement du laveur haute pression sont susceptibles de blesser grièvement l'opérateur.</p>	<p>Ne pas utiliser l'appareil sans que tous ses capots de protection soient en place et ne faire aucun réglage sans tout d'abord arrêter et dépressuriser l'appareil, puis le débrancher de son alimentation électrique. Laisser l'appareil se refroidir. Ne jamais présumer que l'on peut intervenir sans danger sur le laveur haute pression simplement parce qu'il est arrêté. Il pourrait redémarrer à tout moment !</p>

AVERTISSEMENTS CONCERNANT LA SÉCURITÉ

LIRE TOUS LES AVERTISSEMENTS DE SÉCURITÉ AVANT L'INSTALLATION ET L'EXPLOITATION DU LAVEUR HAUTE PRESSION.

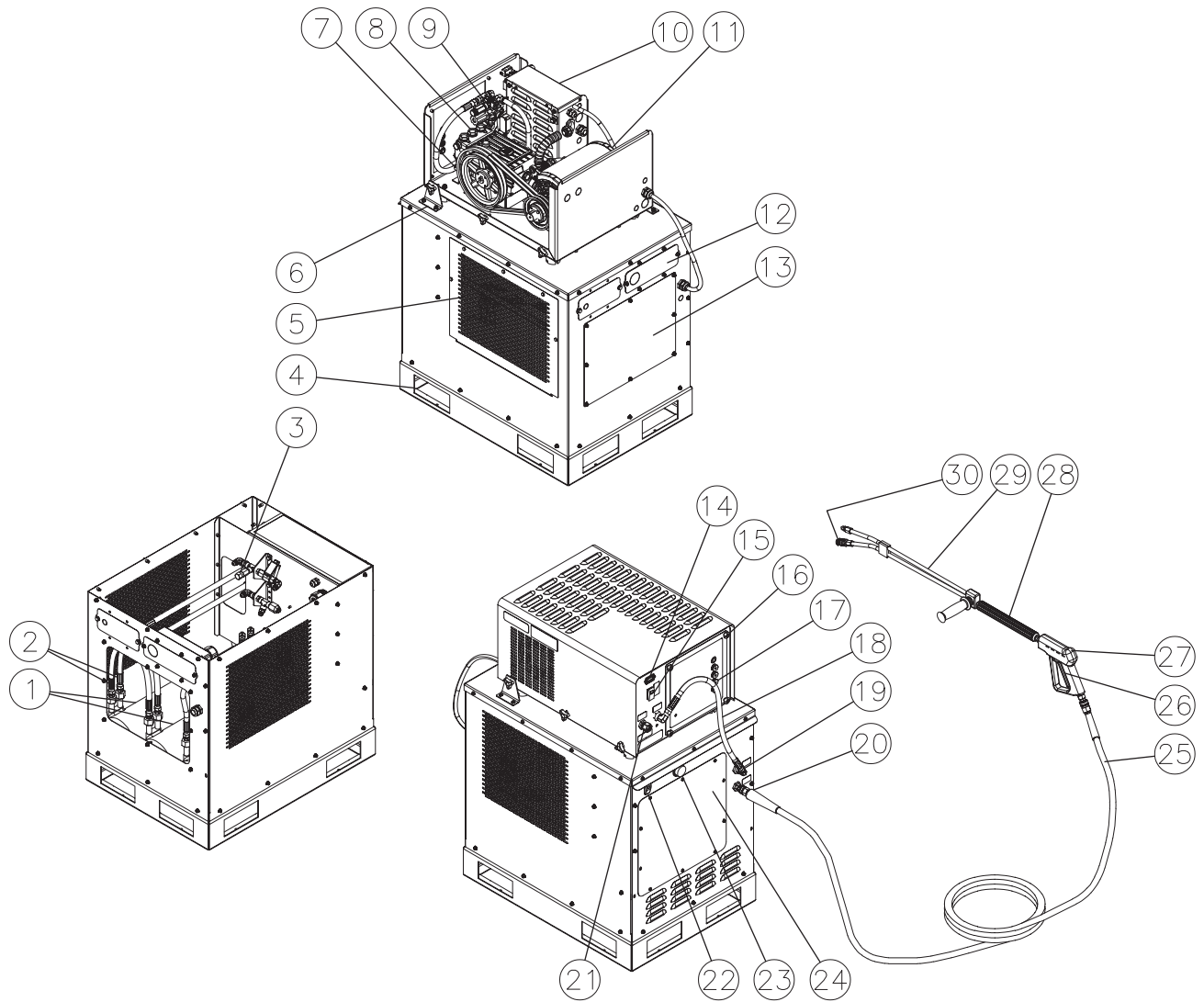
DANGER	CONSEQUENCES POSSIBLES	PREVENTION
<p>RISQUES DE BLESSURES CORPORELLES</p> 	<p>Des blessures graves, voire mortelles sont possibles si le détergent pénètre la peau ou entre en contact avec elle.</p> <p>La projection de débris à très grande vitesse par le pistolet de pulvérisation peut provoquer de graves blessures.</p> <p>L'opérateur risque de se blesser si la pression de l'eau sortant de la buse de pulvérisation le déséquilibre.</p> <p>Le laveur haute pression risque de blesser.</p>	<p>OBTENIR DES SOINS MÉDICAUX D'URGENCE si la pulvérisation paraît avoir pénétré la peau ! NE PAS TRAITER CECI COMME UNE SIMPLE COUPURE ! Être prêt à informer le médecin du type de produits nettoyants utilisés en consultant les fiches signalétiques (MSDS) fournies avec les détergents.</p> <p>Ne jamais utiliser de solvants ou de détergents fortement corrosifs ou des produits nettoyants acides avec ce laveur haute pression.</p> <p>Il est conseillé de porter des équipements de protection, tels combinaisons caoutchoutées, gants et respirateurs, surtout lorsqu'on utilise des détergents.</p> <p>Tenir tous les détergents hors de portée des enfants.</p> <p>TOUJOURS porter des lunettes protectrices durant l'utilisation de l'appareil afin de se protéger des projections de débris et de détergent.</p> <p>NE PAS diriger la pulvérisation sur des matériaux fragiles comme le verre car ils risquent de se briser.</p> <p>Rester attentif - être conscient de ce que l'on fait. Ne pas utiliser l'appareil s'il l'on est fatigué, en état d'ébriété ou sous l'influence de médicaments ou drogues.</p> <p>NE JAMAIS presser sur la gâchette tant que l'on n'a pas assuré sa position.</p> <p>NE PAS essayer d'atteindre des objets trop éloignés. NE PAS se tenir sur des supports instables.</p> <p>Les surfaces mouillées peuvent être glissantes. Porter des chaussures de protection et constamment assurer son équilibre et avoir le pied sûr.</p> <p>NE JAMAIS presser sur la gâchette s'il l'on est sur un toit ou une échelle.</p> <p>TOUJOURS tenir fermement le pistolet / la lance durant la mise en marche et l'utilisation de l'appareil. L'inobservation de cette consigne peut entraîner la chute de la lance qui risque alors de se déplacer avec violence.</p> <p>Savoir comment arrêter le laveur haute pression et le dépressuriser rapidement. Bien connaître toutes ses commandes.</p> <p>NE PAS laisser l'appareil sous pression sans surveillance. Avant de s'en éloigner, l'arrêter et relâcher la pression résiduelle.</p> <p>NE PAS utiliser l'appareil si des fuites d'huile ou d'eau se manifestent. NE PAS reprendre l'utilisation tant que l'appareil n'a pas été inspecté et réparé par un réparateur qualifié. Ne jamais modifier les réglages de l'appareil pendant la marche.</p> <p>Avant tout dépannage, arrêter l'appareil, relâcher sa pression résiduelle et le débrancher de son alimentation électrique. Laisser l'appareil se refroidir. Ne jamais présumer que l'on peut intervenir sans danger sur le laveur haute pression simplement parce qu'il est arrêté. Il pourrait redémarrer à tout moment !</p>



CONSERVEZ CES INSTRUCTIONS



LISTE DES COMPOSANTS



- | | |
|---|--|
| 1. Echangeur de chaleur | 16. Panneau d'accès |
| 2. Tuyau haute pression | 17. Rangement buse |
| 3. Soupape de sûreté | 18. Tuyau haute pression |
| 4. Accès chariot à fourche | 19. Entrée haute pression |
| 5. Orifices de ventilation | 20. Sortie haute pression |
| 6. Support de montage | 21. Admission d'eau |
| 7. Valve Thermique | 22. Interrupteur du brûleur avec voyant lumineux |
| 8. Pompe haute pression | 23. Thermostat réglable |
| 9. Taraudage pression du déchargeur | 24. Enceinte électrique |
| 10. Enceinte électrique | 25. Tuyau haute pression |
| 11. Moteur Electrique | 26. Cran de sûreté du pistolet |
| 12. Boîte de dérivation électrique | 27. Pistolet de déclenchement |
| 13. Plomberie Panneau d'accès | 28. Lance isolée |
| 14. Heure de Metre | 29. Lance double à pression réglable |
| 15. Interrupteur de la pompe avec voyant lumineux | 30. Buses haute pression |

INSTALLATION

EMPLACEMENT ET POSITIONNEMENT DE L'APPAREIL:

1. Cet appareil doit être installé en intérieur par un technicien qualifié, dans un lieu sec protégé du gel, et abrité des vents violents et de la pluie. Si une quelconque partie de l'appareil vient à geler, une pression excessive peut être engendrée à l'intérieur de l'appareil, provoquant son éclatement et risquant de blesser gravement l'opérateur et le personnel avoisinant. Prendre les mesures habituelles pour protéger d'une humidité excessive les commandes électriques de l'unité d'alimentation.
2. L'appareil doit absolument être placé sur une surface de niveau pour garantir une lubrification adéquate de la pompe à eau durant la marche. NE JAMAIS pulvériser de l'eau directement sur l'appareil.

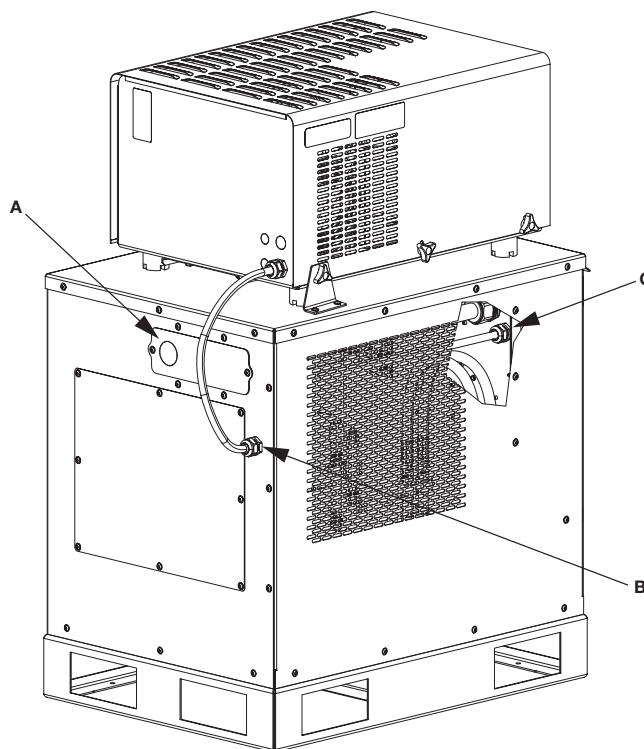


ATTENTION

**RISQUES D'ÉLECTROCUTION
CET APPAREIL DOIT ÊTRE BRANCHÉ
À UNE PRISE CORRECTEMENT MISE
À LA TERRE.**

ALIMENTATION ÉLECTRIQUE:

1. L'installation de l'appareil doit être effectuée par un technicien qualifié et l'installation électrique doit satisfaire aux codes locaux, provinciaux et nationaux en vigueur, y compris (États-Unis) le code national électrique (NEC), NFPA N° 70.
2. À la livraison de l'appareil, ses fils de raccordements se trouvent dans une boîte de raccordement à l'intérieur du caisson. Voir illustration ci-dessous, point A. C'est là que doit se raccorder l'alimentation électrique de l'utilisateur.
3. S'assurer que l'alimentation électrique correspond bien aux spécifications indiquées sur la plaque signalétique du laveur.
4. Le cordon électrique du corps de moteur/pompe doit être acheminé à travers les points "B" et "C" de l'illustration ci-dessous, puis dans le bloc d'alimentation conformément au diagramme de câblage fourni avec la machine (se trouve à l'intérieur du panneau d'entretien avant).
5. S'assurer que toutes les connexions sont bien serrées et que tous les couvercles sont remis en place.



INSTALLATION

ALIMENTATION EN EAU:

1. Comme boyau d'alimentation en eau, choisir un tuyau d'arrosage de bonne qualité ayant un diamètre intérieur d'au moins $\frac{1}{2}$ pouce (19 mm) et ne dépassant pas 15 mètres de longueur (voir le schéma n° 1).
2. Raccorder une extrémité de ce boyau à l'entrée d'eau de l'appareil. Raccorder l'autre extrémité à l'eau de la ville.

REMARQUE : si l'eau utilisée contient une forte quantité de sels minéraux, il est recommandé d'installer un adoucisseur d'eau pour éviter un excès de dépôts calcaires à l'intérieur du serpentin de l'échangeur de chaleur.

3. S'assurer que tous les raccords sont bien serrés.
 - a. Boyau d'alimentation à l'entrée d'eau de l'appareil.
 - b. Boyau d'alimentation à l'eau de la ville.
4. L'alimentation en eau doit répondre aux exigences suivantes :
 - a. La pression d'eau doit se situer entre 140 kPa (minimum) et 455 kPa (maximum).
 - b. Le débit d'arrivée doit être environ supérieur de 4 litres/mn au débit de sortie indiqué sur la plaque signalétique du laveur haute pression. (Il est possible d'évaluer le débit d'entrée en chronométrant la durée de remplissage d'un récipient de contenance connue, par exemple 25 litres).
 - c. La température de l'eau d'alimentation ne doit pas dépasser 79 °C. La pompe risque d'être endommagée si la température de l'eau dépasse cette valeur.

REMARQUE : Si l'alimentation en eau est inadéquate ou si le tuyau est vrillé, l'appareil ne marchera pas correctement et le brûleur ne s'allumera pas.

5. Ne jamais laisser l'appareil fonctionner si le boyau d'arrivée d'eau n'est pas raccordé ou si l'alimentation en eau n'est pas ouverte à fond.

SCHÉMA N° 1 RACCORDEMENT DU BOYAU

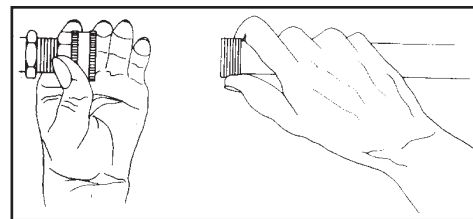
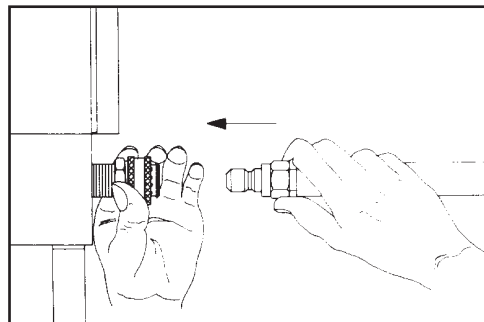


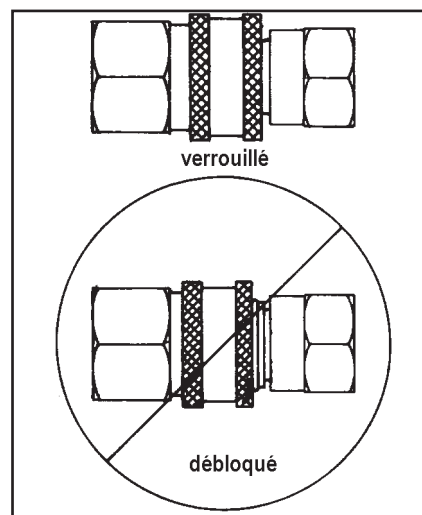
SCHÉMA N° 2 RACCORDEMENT DU BOYAU HAUTE PRESSION



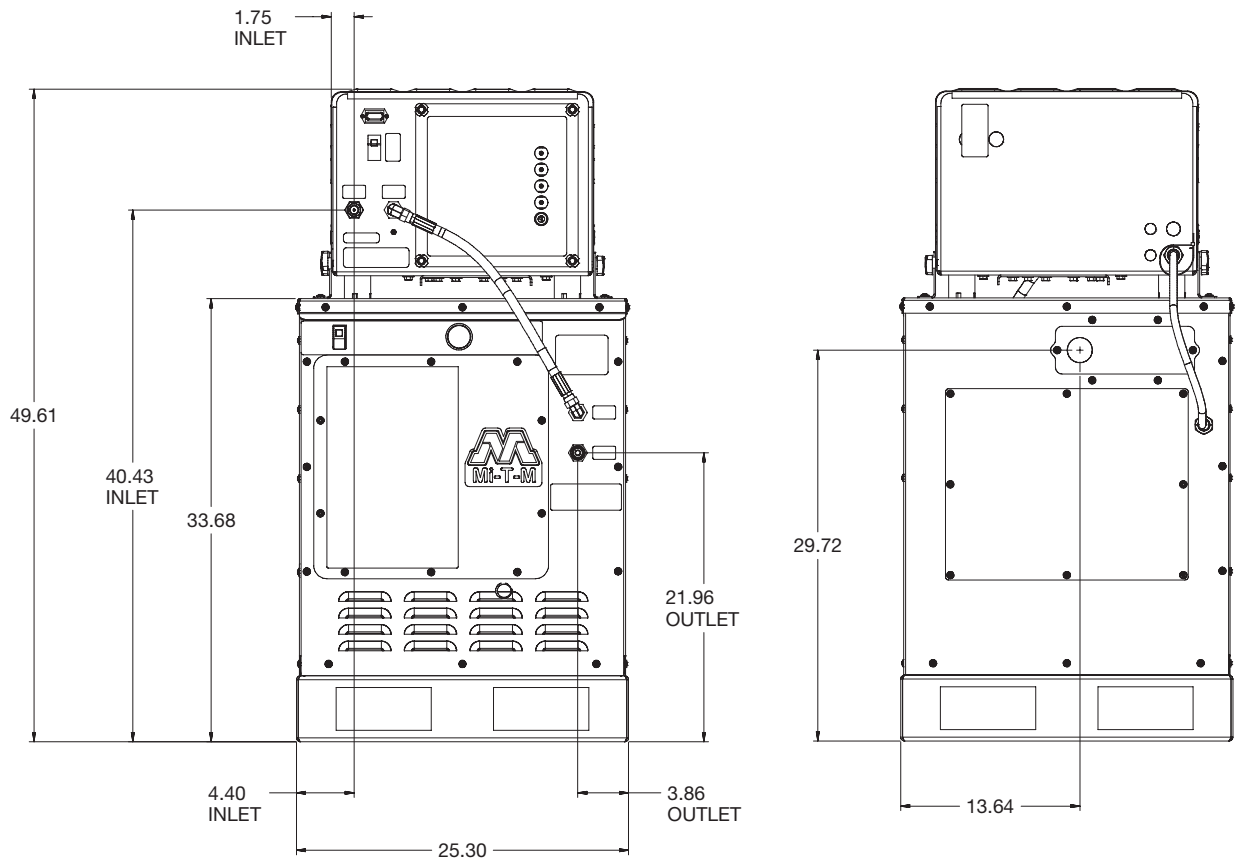
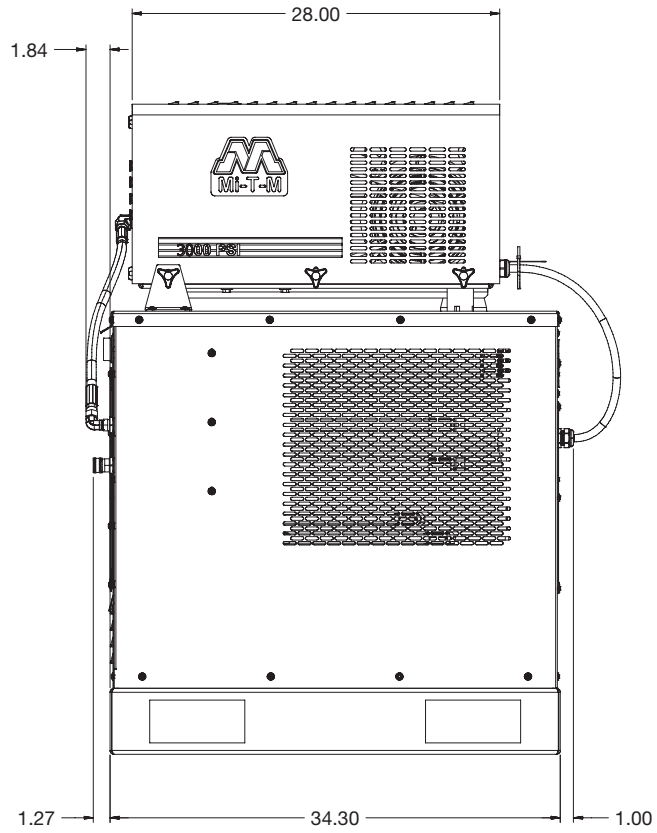
RACCORDEMENT HAUTE PRESSION:

Raccorder le boyau haute pression en le branchant d'un côté au laveur haute pression et de l'autre côté au pistolet. Vérifier que les raccords rapides sont bien verrouillés (voir les schémas n° 2 et n° 3).

SCHÉMA N° 3 RACCORD RAPIDE



INSTALLATION



FRONT

INSTALLATION

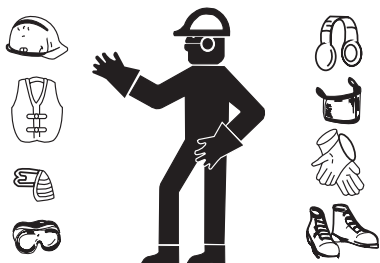
LISTE DE VERIFICATIONS AVANT LA MISE EN MARCHÉ:

Avant la mise en marche de l'appareil, répondre aux questions de la liste ci-dessous :

QUESTIONS

CODES :	OUI	NON
1. L'alimentation électrique est-elle conforme aux codes en vigueur ?	___	___
EMPLACEMENT :		
1. L'appareil est-il installé en intérieur sur un sol incombustible dans un endroit sec protégé de la pluie, de l'humidité et des vents excessifs ?	___	___
CIRCUIT ÉLECTRIQUE :		
1. L'appareil est-il correctement mis à la terre ?	___	___
2. Tous les composants électriques satisfont-ils aux exigences stipulées sur la plaque signalétique de l'appareil (schéma n° 32) et la tension d'alimentation est-elle correcte ?	___	___
INSTRUCTIONS GENERALES :		
1. Tous les opérateurs de cet appareils ont-ils lu le manuel d'installation et d'utilisation et bien compris les avertissement touchant à la sécurité ?	___	___
2. L'appareil a-t-il été installé par un personnel qualifié conformément aux instructions du manuel d'installation et d'utilisation ?	___	___
3. L'alimentation en eau est-elle suffisamment abondante ?	___	___

SI LA REPONSE A UNE QUELCONQUE DE CES QUESTIONS EST NON, REMEDIER A LA SITUATION AVANT DE METTRE L'APPAREIL EN MARCHÉ.

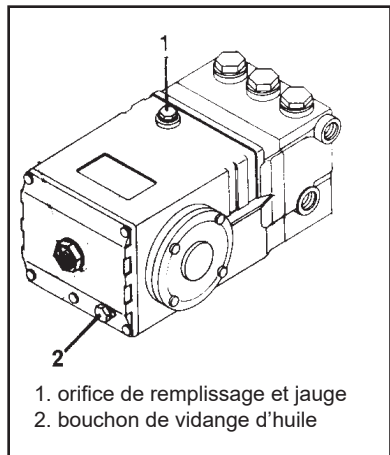


PREPARATION

TENUE DE TRAVAIL:

Pour des raisons de sécurité, une tenue appropriée est essentielle. Il est recommandé d'utiliser tous les moyens disponibles pour se protéger les yeux, les oreilles et la peau. Des équipements protecteurs additionnels (tels un respirateur) peuvent être requis lorsque des détergents de nettoyage sont utilisés avec ce laveur haute pression.

SCHÉMA N° 4 JAUGE ARRIÈRE DE LA POMPE



AVANT LA MISE EN MARCHÉ:

1. Vérifier que le voyant de mise sous tension.
2. Le niveau d'huile dans la pompe doit être vérifié avant chaque utilisation. Vérifier le niveau d'huile en retirant la jauge d'huile à la partie supérieure du carter. Le niveau correct correspond à l'encoche située sur la jauge (voir l'illustration n° 4). Si le niveau paraît bas, utiliser de l'huile pour pompe SAE10W-30. Remettre le(s) panneau(x) en place.

DÉCHARGEUR:

Le déchargeur étant préréglé en usine, tout ajustement ne doit être effectué que par un réparateur qualifié.

PREPARATION

BUSES À MONTAGE RAPIDE :

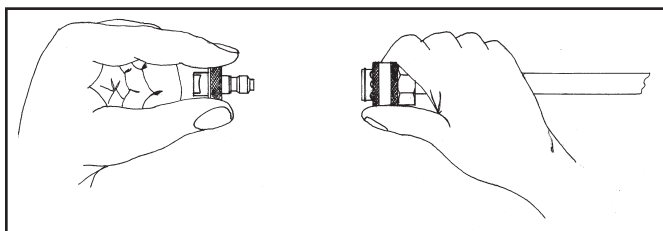
Divers types de buses peuvent être raccordés rapidement à l'extrémité de la lance double à pression réglable afin de modifier le motif de pulvérisation. La buse à détergents a été installée à l'usine. Lors de l'utilisation des raccords rapides, s'assurer que le raccordement est solidement enclenché comme indiqué à droite. En cas contraire, l'eau à haute pression risque de violemment projeter la buse de la lance, causant des blessures graves et des dégâts sérieux. Pour déterminer l'angle de dispersion de pulvérisation, se reporter au numéro exact gravé sur la buse. Les deux premiers chiffres indiquent le degré d'angle de dispersion de pulvérisation: 00=0°, 15=15°, 25=25°, 40=40°.

1. **La buse 0° (ROUGE):** une buse décapante. Elle fournit un jet d'eau très concentré. Faire très attention lorsque ce jet très étroit est utilisé. Il est déconseillé sur les surfaces peintes ou en bois ou sur les objets attachés par un dos adhésif. Utilisations : destruction des herbes dans les fissures des trottoirs, enlèvement des taches récalcitrantes sur le béton, la maçonnerie, l'aluminium et l'acier, des boues desséchées adhérant au matériel et nettoyage du dessous des tondeuses à gazon.
2. **La buse 15° (JAUNE):** une buse de raclage. La pulvérisation doit être inclinée à 45° par rapport à la surface. Elle agit alors comme un grattoir pour l'enlèvement de la peinture, de la graisse et des saletés. Utilisations : apprêt des surfaces (élimination des taches de moisissure et des écailles de peintures), nettoyage des chéneaux et des tuyaux de descente.
3. **La buse 25° (VERTE):** une buse de curage. Son profil de pulvérisation est idéal pour éliminer la poussière, la boue et autre saletés. Utilisations : nettoyage des feuilles mortes sur les trottoirs et les allées, nettoyage du sol des étables, du fond des piscines, dégraissage des moteurs.
4. **La buse 40° (BLANCHE):** une buse de lavage. L'angle très large, qui disperse l'eau sur une très grande surface, est recommandé pour les lavages modérés. Utilisations : lavage des revêtements de maisons en aluminium, des fenêtres, des automobiles, des trottoirs et des patios.

RACCORDEMENT DES BUSES:

1. S'assurer que le pistolet est bien verrouillé (position « OFF » - voir le schéma n° 7).
2. Détacher alors le raccord rapide de la double lance à pression réglable. Comme le montre le schéma n° 8, rétracter la bague de blocage du raccord rapide pour retirer la buse.

SCHÉMA N° 8 RACCORDEMENT DES BUSES



ATTENTION

RISQUES D'INJECTION PROVOQUANT DES BLESSURES GRAVES

Le pistolet doit toujours être verrouillé en position d'arrêt lorsqu'il est inutilisé.

Ne jamais regarder directement dans l'axe de la buse sauf si elle détachée du pistolet ou de la double lance.

SCHÉMA N° 5 RACCORD RAPIDE

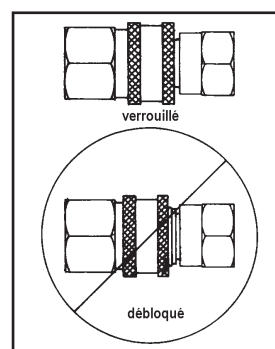


SCHÉMA N° 6 BUSES À MONTAGE RAPIDE

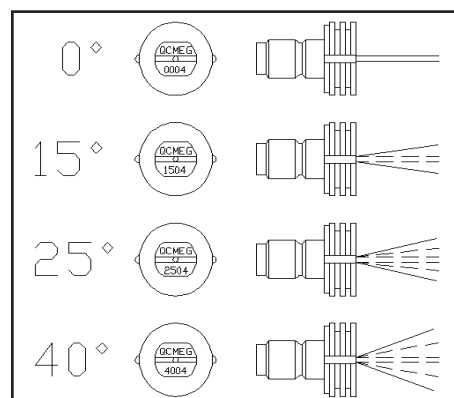
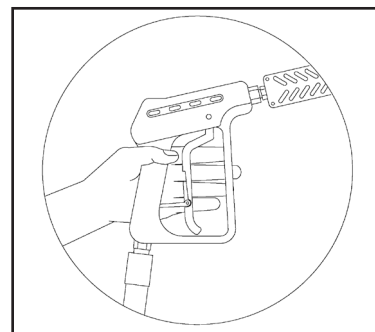


SCHÉMA N° 7 VERROUILLAGE DU PISTOLET

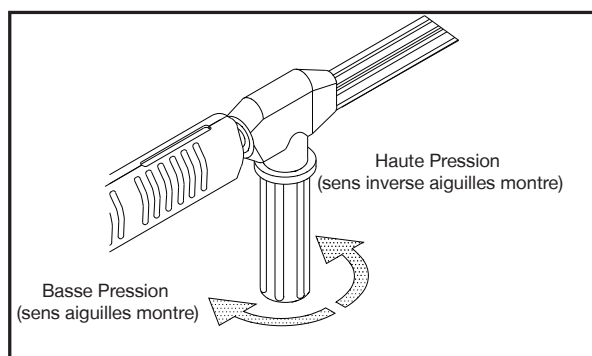


PREPARATION

DOUBLE LANCE À PRESSION REGLABLE:

1. Cet appareil comporte une double lance à pression réglable qui permet à l'utilisateur de choisir une dispersion en éventail à haute ou à basse pression. Il suffit de tourner la poignée ajustable de la double lance pour obtenir la pression désirée.
 - a. La haute pression s'obtient en tournant la poignée de la double lance dans le **sens antihoraire**, comme le montre le schéma n° 9.
 - b. La basse pression s'obtient en tournant la poignée de la double lance dans le **sens horaire**, comme le montre le schéma n° 9. Si l'on emploie l'injecteur de détergent, cet injecteur va introduire du détergent dans le système dès que la pression est suffisamment basse. Le mélange eau/détergent sort à la fois par la buse de pulvérisation et par la buse de détergent.

SCHÉMA N° 9
LANCE DOUBLE



INSPECTION DE SECURITE AVANT LA MISE EN MARCHE:

1. Avant de mettre l'appareil en marche, effectuer les opérations suivantes :
 - a. Vérifier le serrage de tous les raccords des tuyaux.
 - b. Vérifier qu'il n'y a pas de fuites d'eau ou d'huile.
 - c. S'assurer que les boyaux haute pression ne sont pas vrillés ou coupés et qu'ils ne fuient pas. Si l'on détecte une fuite ou une entaille, NE PAS UTILISER LE BOYAU ! Le remplacer avant de démarrer l'appareil. Se reporter aux avertissement « Risques d'injection ». Veiller à remplacer toutes les pièces endommagées et à corriger tout problème mécanique avant de démarrer l'appareil. Si un dépannage est nécessaire, appeler le service clients.

ATTENTION

LES PAGES SUIVANTES CONTIENNENT LES INSTRUCTIONS D'UTILISATION ET D'ENTRETIEN.

NE PAS UTILISER CE LAVEUR HAUTE PRESSION TANT QUE L'ON A PAS LU ET BIEN COMPRIS TOUTES LES PRÉCAUTIONS ET CONSIGNES DE SÉCURITÉ CONTENUES DANS CE MANUEL. SUIVRE LES INSTRUCTIONS D'ENTRETIEN SPÉCIFIÉES DANS CE MANUEL.

UNE UTILISATION INCORRECTE DE CET APPAREIL RISQUE DE PROVOQUER DE GRAVES BLESSURES!!

NE MODIFIER CET APPAREIL EN AUCUNE FAÇON!

INSTRUCTIONS D'UTILISATION

Une fois que l'appareil a été installé par un technicien qualifié et que l'on a effectué toutes les vérifications de LA LISTE DE VÉRIFICATIONS AVANT LA MISE EN MARCHÉ à la page 49, l'appareil est prêt à l'emploi. Les diverses opérations ci-dessous contribueront à assurer une exploitation sans danger de l'appareil.

 **MISE EN GARDE**

RISQUES DE DÉGÂTS À L'APPAREIL! S'ASSURER QUE LE PISTOLET ET LA DOUBLE LANCE NE SONT PAS RACCORDÉS À L'APPAREIL DURANT LE RINÇAGE DU SYSTÈME. LE RINÇAGE PERMET D'ÉLIMINER DU SYSTÈME TOUTS LES DÉPÔTS MINÉRAUX QUI RISQUENT D'OBSTRUER OU D'ENDOMMAGER LE PISTOLET ET LA BUSE ET D'ENTRAÎNER DES RÉPARATIONS CÔUTEUSES.

RINÇAGE DU SYSTÈME:

1. Cet appareil comportant un serpentin d'acier, l'eau stagnant dans le serpentin après utilisation va à longue devenir marron ou noire. Cette eau doit être évacuée du système avant sa remise en marche. Cette opération doit se faire alors que le pistolet et la double lance à pression réglable **sont démontés**.
 - a. Vérifier que l'eau arrive bien à l'appareil.
 - b. Mettre l'interrupteur de la pompe en position "ON" (marche) pour démarrer la pompe.
 - c. Faire marcher l'appareil pendant 3 à 5 minutes.
 - d. Arrêter l'appareil.
 - e. Lorsque le rinçage du système est terminé, brancher le pistolet et la double lance à pression réglable au boyau haute pression.

 **DANGER**

RISQUES D'INJECTION SUSCEPTIBLE DE PROVOQUER DES GRAVES BLESSURES !

SE TENIR À DISTANCE DE LA BUSE ! NE JAMAIS PLACER LA MAIN OU LES DOIGTS DEVANT LA BUSE ! NE PAS POINTER LE PISTOLET EN DIRECTION DE PERSONNES OU D'ANIMAUX!

 **MISE EN GARDE**

RISQUES DE DÉGÂTS

NE PAS POINTER LE PISTOLET AU MÊME ENDROIT PENDANT UNE PÉRIODE PROLONGÉE. CELA RISQUE DE CAUSER DES DOMMAGES À L'ENDROIT EXPOSÉ.

UTILISATION AVEC EAU FROIDE:

1. Se reporter aux « Avertissements concernant la sécurité », aux pages 36-41 avant de démarrer l'appareil.
2. Repérer les autocollants de sécurité sur l'appareil et respecter leurs consignes.
3. S'assurer que l'interrupteur du échangeur de chaleur est en position « OFF » (arrêt).
4. En pointant le pistolet dans une direction n'offrant aucun danger, déverrouiller le pistolet et appuyer sur sa gâchette. L'opérateur doit assurer sa position en prévision d'un recul possible du pistolet lorsque la pompe démarre.
5. Mettre l'interrupteur de la pompe en position "ON" (marche) pour démarrer la pompe.
6. Dès que l'appareil est en marche, faire les vérifications suivantes avec le pistolet ouvert:
 - a. S'assurer que le système ne présente aucune fuite d'eau ou d'huile.
 - b. S'assurer que les boyaux haute pression ne fuient pas. En cas de fuites, **NE PASTOUCHER. ARRÊTER IMMÉDIATEMENT L'APPAREIL!** Remplacer le boyau avant de redémarrer l'appareil. Se reporter aux avertissements « Risque d'injection » à la page 39. Veiller à remplacer toutes les pièces endommagées et à corriger tous les problèmes mécaniques avant de remettre l'appareil en marche.
7. Arrivé à ce point, l'appareil fonctionne comme laveur haute pression à eau froide. Presser la gâchette du pistolet à plusieurs reprises et essayer d'ajuster la pression de l'eau en tournant la poignée de la lance double. **NE JAMAIS** placer la main ou les doigts devant la buse, ni regarder directement dans la buse ! L'eau fortement pressurisée risque de provoquer de graves blessures!
8. Ne jamais laisser l'appareil fonctionner en mode de dérivation (avec le déclenchement fermé) pendant plus de trois minutes sans déclencher le pistolet. Le non-respect de cette règle simple peut causer la défaillance prématurée des joints de pompe, ayant comme résultat une réparation coûteuse de la pompe.
9. Le laveur peut fournir une pulvérisation à haute pression sous divers profils en utilisant de l'eau froide. Si l'on souhaite utiliser de l'eau chaude ou bien nettoyer avec l'addition de détergents, se reporter à la page 55 qui indique la marche à suivre.

INSTRUCTIONS D'UTILISATION

UTILISATION AVEC EAU CHAUDE:

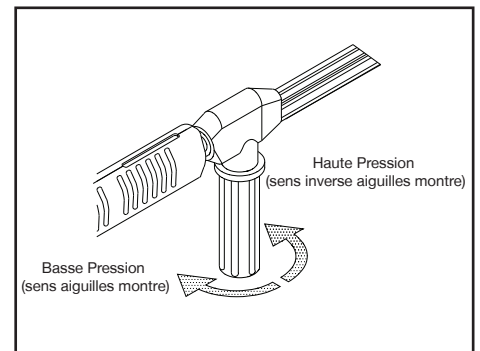
1. Suivre la procédure indiquée à la rubrique « Utilisation avec eau froide»
2. Déplacer l'interrupteur du brûleur en position « ON » (marche). Initialement, l'eau commencera à devenir chaude au bout de 60 secondes environ et elle atteindra sa température maximale en 3 à 5 minutes environ, sous réserve que l'on continue à appuyer sur la gâchette, vu que le échangeur de chaleur s'éteint dès que l'on relâche la gâchette.
3. Régler le thermostat à la valeur souhaitée.

Arrivé là, l'appareil fonctionne comme laveur haute pression à eau chaude. Faire preuve d'une extrême prudence durant les réglages de pression et durant la manipulation de l'ensemble pistolet/lance double afin d'éviter des brûlures.

NETTOYAGE AVEC ADDITION DE DETERGENTS:

Ce type de nettoyage est limité à des détergents doux. Ne pas utiliser d'agents corrosifs car ils provoqueront des dommages substantiels sans mentionner les risques considérables en matière de sécurité.

1. Se référer à "risques de blessures physiques/détergents" page 34. Veiller à porter tous les équipements protecteurs indiqués à la page 50.
2. Préparer la solution de détergent conformément à l'étiquette du produit. (Ne jamais pomper de liquides acides, alcalins, abrasifs, ou des solvants à travers l'appareil).
3. Submerger complètement le filtre à l'extrémité du boyau de vinyle transparent pour détergent dans la solution de détergent.
4. Régler le dosage du détergent en tournant la molette à la valeur désirée.
5. Pour pulvériser la solution, déverrouiller le pistolet et appuyer sur la gâchette. Au bout de quelques instants, un mélange eau/détergent est éjecté de la buse. Commencer par pulvériser la solution au bas de la pièce à nettoyer, puis monter progressivement en faisant des passes qui se recouvrent. Le fait de commencer par le bas permet d'éviter la formation de traînées. Laisser le liquide pénétrer brièvement dans le matériau. Éviter les pulvérisations sur des surfaces chaudes ou directement exposées au soleil, car le détergent risque alors de sécher sur place et d'endommager la surface pulvérisée. Le nettoyage doit se faire pas petites sections.
6. Pour rincer: bloquer le pistolet de déclenchement en position d'arrêt (OFF). Tourner la valve de régulation des détergents jusqu'à la position d'arrêt (OFF). Ouvrir le pistolet de déclenchement et pulvériser. Cela prendra environ 30 secondes pour purger tout le détergent du tuyau. Pour les meilleurs résultats au rinçage, commencer par le haut et finir par le bas.
7. Siphonner 4 litres d'eau environ à travers le circuit de détergent après chaque utilisation. Ceci réduit le risque de corrosion due aux résidus de détergent, susceptible de provoquer des problèmes mécaniques lors de l'utilisation suivante.



INSTRUCTIONS D'UTILISATION

ARRÊT DE L'APPAREIL:

1. Si l'interrupteur du échangeur de chaleur est toujours en position de marche, le mettre sur arrêt.
 2. Presser sur la gâchette et éjecter de l'eau pendant 3 minutes afin de refroidir l'échangeur de chaleur et le boyau haute pression. (Une période de refroidissement trop courte du boyau haute pression va provoquer une usure excessive du boyau et à la longue son éclatement).
 3. Mettre l'interrupteur de la pompe en position "OFF" pour arrêter la pompe. Si l' appareil a l'option arrêt différé, attendre que le minuteur s'arrête et mettre l'appareil à l'arrêt. Voir ci-dessous pour plus d'information sur l'arrêt différé.
 4. Presser brièvement la gâchette afin d'éliminer la pression résiduelle dans le système.
-

ENTRETIEN

ENTRETIEN PREVENTIF :

FUITES: Remédier sans délai à toute fuite dans le système de pompage en démontant les pièces suspectes, en appliquant un mastic d'étanchéité sur les filets et en réinstallant les pièces.

REMARQUE : Si l'on utilise un ruban de Téflon, veiller à ce qu'aucun morceau de ruban ne pénètre à l'intérieur du circuit car il risque de colmater la buse de pulvérisation.

RACCORDS RAPIDES: Ces raccords rapides contiennent un joint torique interne qui risque de se détériorer. Pour les remplacer, il suffit d'installer un nouveau joint, ce qui va éliminer les fuites. (Voir le schéma n° 10). Des joints toriques peuvent être achetés auprès de votre concessionnaire).

BUSE: Le passage de l'eau à travers la buse de pulvérisation va à la longue éroder l'orifice qui va s'élargir et provoquer une baisse de pression. Remplacer les buses dès que la pression tombe à moins de 85 % de la pression maximale. La fréquence de remplacement va dépendre de différents facteurs, tels la teneur de l'eau en sels minéraux et le nombre d'heure d'utilisation de la buse.

POMPE:

1. Initialement, changer l'huile de la pompe au bout de 50 heures de fonctionnement. Après cette vidange initiale, il suffit de remplacer l'huile tous les 3 mois ou toutes les 250 heures. Si l'huile paraît sale ou laiteuse, des vidanges plus fréquentes peuvent être nécessaires.
2. Repérer le boyau de vidange de l'huile de la pompe.
3. Placer un récipient vide sous l'appareil pour récupérer l'huile usée puis retirer le bouchon de l'orifice de vidange (voir le schéma n° 11).
4. Attendre que l'huile soit complètement évacuée de la pompe et réinstaller le bouchon de vidange. Se débarrasser de l'huile usée conformément aux réglementations locales, provinciales ou nationales.
5. Remplir le carter de la pompe d'huile pour pompe SAE10W-30 jusqu'à l'encoche de la jauge. Ne pas trop remplir.

TENSION DE LA COURROIE: Arrêtez et débranchez l'appareil. Enlevez le panneau latéral ou soulevez le couvercle examinez la courroie trapézoïdale pour signes d'usure et de détente. Le cas échéant, remplacez ou serrez la courroie de la manière suivante, voir le schéma n° 12:

REPLACEMENT:

1. Desserrez les quatre boulons de fixation (A).
2. Desserrez les deux écrous d'alignement d'environ un pouce par aux boulons d'alignement (B1 & B2).
3. Poussez la pompe vers le moteur pour détendre la courroie.
4. Remplacez la courroie.

SERRAGE: (Si la courroie n'a pas été remplacée, il sera nécessaire de desserrer les boulons B1 et B2 avant de procéder.)

1. Serrez le boulon d'alignement B2. La pompe se déplacera vers la gauche et tendra la courroie. Ensuite, serrez l'écrou du boulon B2.
2. Serrez le boulon d'alignement B1 jusqu'à ce que les poulies s'alignent. (Servez-vous d'une règle pour vérifier l'alignement.)
3. Appuyez sur la courroie trapézoïdale pour vérifier sa tension. Il devrait y avoir entre 1/4 et 1/2 pouce de flexion lorsque la tension est correcte.
4. Lorsque les poulies sont alignées et que la tension est correcte, resserrez l'écrou B1 et les quatre boulons de fixation (A).
5. Si la tension n'est pas correcte, répétez les étapes 6 et 7 jusqu'à obtenir l'alignement et la tension nécessaires. Serrez les quatre boulons de fixation (A) en fin d'opération.
6. Desserrez l'écrou B2, serrez le boulon B2, serrez l'écrou B2.
7. Desserrez l'écrou B1, serrez le boulon B1, serrez l'écrou B1.

SCHÉMA N° 10 RACCORDS RAPIDES

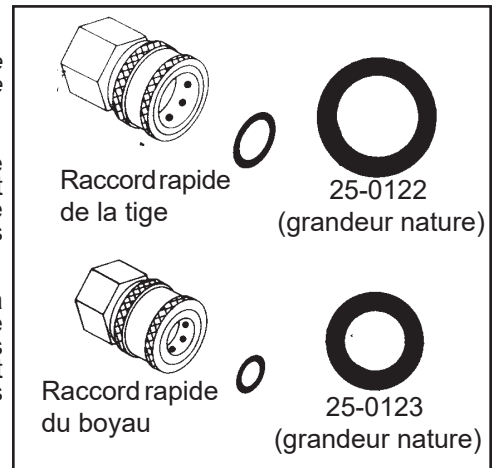


SCHÉMA N° 11 VIDANGE DE LA POMPE À HUILE

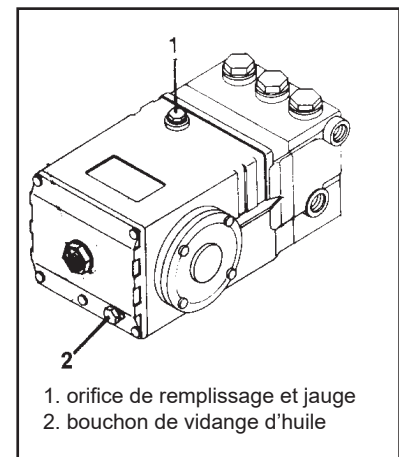
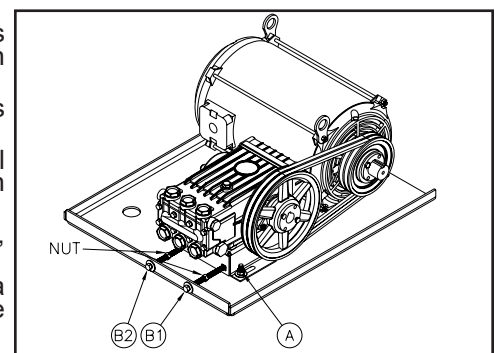


SCHÉMA N° 12 RÉGLAGE DE LA TENSION DE LA COURROIE



ENTRETIEN

VÉRIFICATION DE TENSION ET DE RÉSISTANCE:

Vérifiez la tension et la résistance d'alimentation de la machine à l'aide d'un voltmètre et d'un ampèremètre. Si vous ne possédez pas de tels instruments ou si vous ne savez pas vous en servir, confiez cette opération à un technicien agréé.

DÉTARTRAGE DU SERPENTIN:

Une perte de pression peut signifier que le serpentin a besoin de détartrage. Effectuez cette opération régulièrement.

1. Mélanger la poudre solution non caustique / liquide dans le réservoir flottant selon les instructions du paquet.
2. Enlevez l'embout de la lance. Enveloppez la lance dans un bas en Nylon pour récupérer les débris, puis placez la lance dans le réservoir d'eau.
3. Mettez l'interrupteur à la position 'Pump' (pompe). L'eau circulera à travers le système puis reviendra au réservoir. Laissez l'eau circuler pendant 2 à 4 heures.
4. Mettez l'interrupteur à la position 'Off' (arrêt). Vidangez et nettoyez le réservoir d'eau. Enlevez le bas en Nylon de la lance, puis nettoyez la lance.
5. Rincez le système en entier avec de l'eau propre et fraîche, puis remontez l'embout de la lance.
6. Disposez de la solution de détartrage selon la réglementation en vigueur.

HIVERNISATION :

Pour entreposer et transporter l'appareil à température ambiante inférieure au point de congélation, on doit l'hiverner. Pour les raisons suivantes, l'appareil doit être protégé jusqu'à la température la plus basse qu'il risque de subir :

1. Si l'une des pièces du circuit de pompage gèle, la pression peut devenir excessive et faire exploser l'appareil en blessant gravement son utilisateur ou les personnes qui se trouvent à proximité.
2. Le circuit de pompage de l'appareil peut être irrémédiablement endommagé par le gel. **LES DOMMAGES CAUSÉS PAR LE GEL NE SONT PAS COUVERTS PAR LA GARANTIE.**

Si on doit entreposer l'appareil à un endroit où il y a risque de gel, le protéger en procédant comme suit :

1. Disposer des articles suivants :
 - a. Deux récipients de 19 l (5 gal).
 - b. 3,8 l (1 gal) d'antigel. (le fabricant recommande l'emploi d'un antigel de type écologique.)
 - c. Alimentation en eau.
 - d. Flexible de 0,91 m (3 pi), de 12,7 à 19,05 mm (1/2-3/4 po) de D.I., à raccord mâle de 19,05 mm (3/4 po) pour tuyau d'arrosage.
2. Méthode d'hivernisation :
 - a. Mettre l'appareil en marche et l'amorcer. (Voir « Mise en marche »)
 - b. Après l'avoir fait fonctionner et l'avoir amorcé, arrêter l'appareil et couper l'alimentation en eau.

CONTINUER

ENTRETIEN

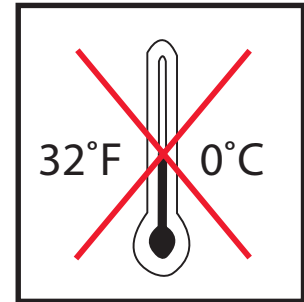
HIVERNISATION, CONTINUER:

- c. Évacuer la pression du circuit en orientant le pistolet dans une direction sécuritaire et en appuyant sur la détente jusqu'à ce que l'eau cesse de sortir de la buse.
- d. Verrouiller la détente et déposer la buse.
- e. Déposer le flexible d'alimentation en eau de l'appareil et fixer solidement le flexible de 0,91 m (3 pi) au raccord d'admission.
- f. Couper l'admission de détersif, au besoin.
- g. Remplir d'eau un seau de 19 l (5 gal).
- h. Tenir verticalement le flexible de 0,91 m (3 pi) et le remplir d'eau. Puis obturer l'orifice du flexible avec le pouce ou l'index. Plonger l'extrémité obturée dans l'eau du seau de 19 l (5 gal).
- i. Mettre l'appareil en marche. Actionner la détente à plusieurs reprises, jusqu'à ce que tout l'air soit évacué du circuit (et que l'appareil soit amorcé).

REMARQUE: Pour bien hiverner, se conformer aux directives du fabricant (voir la « Table de protection » qui figure sur l'étiquette arrière de la plupart des contenants d'antigel).

- j. En maintenant le pistolet ouvert, siphonner l'eau du seau de 19 l (5 gal) et n'en laisser que la quantité nécessaire au mélange avec l'antigel.
 - k. Diriger la lance dans le récipient vide et mettre l'appareil en marche.
 - l. Actionner la détente jusqu'à ce que l'antigel commence à s'échapper de la lance. Lâcher la détente pendant 3 secondes, puis l'actionner pendant 3 secondes. Répéter le cycle jusqu'à ce que tout le mélange antigel ait été siphonné du récipient.
 - m. Débrancher le flexible de 0,91 m (3 pi) de l'appareil, et vider l'antigel en excès dans le récipient de 19 l (5 gal).
 - n. Débrancher l'ensemble flexible/pistolet/lance de l'appareil, et vider l'antigel en excès dans le récipient de 19 l (5 gal).
 - o. Ranger en lieu sûr le flexible, le pistolet et la lance avec l'appareil.
 - p. Conserver la solution d'antigel pour l'utiliser plus tard, ou s'en débarrasser conformément à la réglementation de l'E.P.A. en vigueur.
3. Autre méthode d'hivernisation :
- a. Arrêter l'appareil.
 - b. Libérer la pression en orientant le pistolet dans une direction sécuritaire et en appuyant sur la détente jusqu'à ce que l'eau cesse de sortir de la buse.
 - c. Débrancher et vider le flexible, le pistolet et la lance.
 - d. Mettre l'appareil en marche et le laisser fonctionner jusqu'à ce que l'eau cesse de s'en écouler. Puis, arrêter l'appareil.

REMARQUE: Si on choisit cette méthode, être prudent car les gouttes d'eau transformées en glaçons peuvent faire exploser l'appareil si on le met en marche avant qu'il soit complètement dégelé.



ENTRETIEN

TABLEAU DE MAINTENANCE PRÉVENTIVE PAR L'OPÉRATEUR

PROCÉDURE	QUOTIDIENNEMENT	3 MOIS	6 MOIS	9 MOIS	12 MOIS
Absence de fuites de gaz	X				
Absence de fuites d'eau	X				
Absence de fuites d'huile					
Inspection raccords rapides et boyaux	X				
Vérification niveau d'huile pompe	X				
Vidange pompe*		X	X	X	X
Vérification tension courroie		X	X	X	X
Remplacement buse haute pression		X	X	X	X
Vérification pression d'eau			X		X
Vérification température d'eau			X		X

* Changer initialement l'huile de la pompe au bout de 50 heures de fonctionnement, puis au moins tous les 3 mois ou toutes les 250 heures de fonctionnement, l'intervalle le plus court étant pris en compte.

TABLEAU DE MAINTENANCE EFFECTUEE PAR LE CONCESSIONNAIRE

PROCÉDURE	ANNUELLEMENT
Détartrage du serpentin*	X
Mesure de la tension et de l'ampérage	X

* L'entartrage va varier en fonction de la minéralisation de l'eau et de l'utilisation de l'appareil. Le détartrage peut être mensuel aussi bien qu'annuel.

DEPANNAGE

SYMPTOME	CAUSE PROBABLE	SOLUTION
Le moteur ne tourne pas.	<p>Surcharge du circuit.</p> <p>Surcharge du circuit secondaire.</p> <p>Surcharge du moteur.</p>	<p>Déterminer si de mise sous tension est allumé. S'il ne l'est pas, inspecter le fusible ou le disjoncteur du circuit.</p> <p>Vérifier les fusibles primaires et secondaires du transformateur.</p> <p>Réarmer le déclencheur thermique de surcharge du moteur de la pompe ou celui se trouvant dans l'armoire électrique.</p> <p>Appeler le service clients.</p>
Rien ne sort de la buse lorsqu'on presse la gâchette.	L'arrivée d'eau est coupée .	Vérifier l'alimentation en eau. Augmenter la taille du boyau et fournir une alimentation adéquate (23 litres/mn sous 140 kPa).
Pression basse ou fluctuante.	<p>Alimentation en eau inadéquate.</p> <p>La pompe aspire de l'air (désamorçage). La vanne de détergent haute pression est ouverte alors que l'extrémité du boyau n'est pas immergée dans le détergent (crée une perte d'aspiration qui désamorce la pompe).</p> <p>Le boyau haute pression est vrillé.</p> <p>La poignée réglable de la double lance n'est pas en position haute pression.</p> <p>Buse de pulvérisation obstruée ou usée.</p> <p>Vanne de la pompe endommagée ou usée.</p> <p>La garniture de la pompe est usée.</p> <p>La vanne du déchargeur/de dérivation ne fonctionne pas correctement.</p>	<p>Resserrer tous les raccords au niveau de l'arrivée d'eau et éliminer toutes les fuites éventuelles dans la conduite d'alimentation en eau.</p> <p>Fermer la vanne ou immerger le boyau de détergent dans la solution. Réamorcer la pompe.</p> <p>Remplacer le boyau haute pression vrillé.</p> <p>Tourner la poignée dans le sens antihoraire pour passer en mode haute pression.</p> <p>Retirer, nettoyer ou remplacer.</p> <p>Retirer, nettoyer ou remplacer.</p> <p>Remplacer la garniture.</p> <p>Réparer ou remplacer.</p>
L'huile mousse ou paraît laiteuse.	Présence d'eau dans l'huile.	Changer l'huile de la pompe. Remplir au niveau correct.
Fuite d'huile au niveau de la pompe.	Joints ou joints toriques usés.	Consulter le service clients.
Aucun siphonnage du détergent.	<p>Le filtre à détergent n'est pas complètement submergé dans la solution détergente.</p> <p>Le filtre à détergent est colmaté.</p> <p>Le boyau de détergent est fissuré, colmaté ou vrillé.</p> <p>La molette de dosage du détergent est en position « OFF » (arrêt).</p>	<p>Inspecter, submergé si nécessaire.</p> <p>Inspecter, nettoyer ou remplacer.</p> <p>Inspecter, nettoyer ou remplacer</p> <p>Ouvrir la molette de dosage. Se reporter à « Nettoyage avec addition de détergents ».</p>
De l'eau sort de la buse même lorsque la gâchette est verrouillée en position fermée.	Le pistolet fonctionne mal.	Réparer ou remplacer.

DEPANNAGE

SYMPTOME	CAUSE PROBABLE	SOLUTION
Le échangeur de chaleur ne s'allume pas.	L'interrupteur du échangeur de chaleur n'est pas en position «ON ». La molette du thermostat est en position «OFF». La gâchette est en position fermée. Panne de l'interrupteur de pression.	Vérifier la position de l'interrupteur. Vérifier la position de la molette du thermostat. Presser sur la gâchette du pistolet. Réparer ou remplacer.
Chauffe-eau ne chauffe pas	Coupure de l'échangeur de chaleur	Remplacer.
De l'eau fuit sous le serpentín de l'échangeur de chaleur.	Fissure du serpentín de l'échangeur de chaleur.	Remplacer le serpentín.

CONDITIONS DE GARANTIE APPLICABLES À TOUS LES LAVEURS HAUTE PRESSION À EAU CHAUDE MODÈLES HAE ALIMENTÉS AU GAZ NATUREL ET AU PROPANE LIQUIDE.

Manufacturé garantit toutes les pièces (hormis les pièces indiquées ci-dessous) de votre laveur haute pression contre tout défaut de matériau ou de main d'oeuvre pendant les périodes suivantes:

Pour une vie de la congélation et de fendre:
Collecteur de la pompe

Pendant sept (7) ans à compter de la date d'achat initial :
la pompe haute pression

Pendant un (1) ans à compter de la date d'achat initial :
l'échangeur de chaleur

Pendant deux (2) ans à compter de la date d'achat initial :
les écrans et dispositifs de protection le châssis
la tuyauterie les poulies

Pendant un (1) an à compter de la date d'achat initial :
la commande d'allumage

Pendant quatre-vingt dix (90) jours à compter de la date d'achat initial :
Soupape de déchargement Interrupteur de pression
Thermostat Haute Limite

Pendant trente (30) jours à compter de la date d'achat initial :
le boyau haute pression le pistolet
les filtres la tige

Les pièces défectueuses, si elles ne sont pas normalement sujettes à usure, seront réparées ou remplacées à notre choix durant la période de garantie. Dans tous les cas, le remboursement sera limité au prix d'achat de la pièce en question.

EXCLUSIONS

1. Le moteur est couvert par la propre garantie de son fabricant et il est sujet aux termes de la garantie en question.
2. Pièces d'usure :

Garnitures d'étanchéité de pompe	Buses de pulvérisation
Valves de pompe	Valve à détergent
Filtre à essence	Coupleurs rapides
Bagues	Ceinturest
3. Cette garantie ne couvre pas les dommages résultant d'une usure normale, d'une utilisation incorrecte ou abusive, à des vitesses, des pressions et des températures autres que celles recommandées. Les pièces endommagées ou usées par suite de l'utilisation de liquides caustiques ou d'un fonctionnement dans un environnement abrasif ou corrosif ou dans des conditions entraînant une cavitation de la pompe ne sont pas garanties. L'inobservation des procédures d'exploitation et d'entretien recommandées annule également la garantie.
4. L'utilisation de pièces autres que d'authentiques pièces de rechange annulera la garantie. Les pièces retournées à notre usine ou à un centre de réparation agréé seront inspectées et remplacées gratuitement si elles s'avèrent être défectueuses et couvertes par la garantie. Aucune garantie ne sera étendue au-delà de termes stipulés sur le présent document. Le fabricant ne pourra en aucun cas être tenu responsable du manque à gagner dû à la non utilisation de l'appareil, au temps perdu ou à la perte de locations, des dérangements causés, des pertes commerciales ou des dommages indirects.

TABLA DE CONTENIDO

INTRODUCCIÓN.....	55
ADVERTENCIAS DE SEGURIDAD IMPORTANTES.....	56-60
CARACTERÍSTICAS.....	61
INSTALACIÓN.....	62-65
PREPARACIÓN.....	66-68
INSTRUCCIONES DE OPERACIÓN.....	69-71
MANTENIMIENTO.....	70-75
TABLAS DE MANTENIMIENTO.....	76
DIAGNÓSTICO Y SOLUCIÓN DE FALLAS.....	77-78
INFORME DE GARANTÍA.....	79

⚠ ADVERTENCIA

⚠ ADVERTENCIA: Este producto puede exponerlo a productos químicos, incluido el plomo, que el Estado de California conoce a causar cáncer y defectos congénitos u otros daños reproductivos. Para obtener más información, visite www.P65Warnings.ca.gov

⚠ ADVERTENCIA

⚠ ADVERTENCIA: Este producto puede exponerle a químicos incluyendo carbon monoxide, que es conocido por el Estado de California como causante de defectos de nacimiento u otros daños reproductivos. Para mayor información, visite www.P65Warnings.ca.gov.

CÓDIGOS NACIONALES:

CÓDIGO NACIONAL ELÉCTRICO NFPA NO. 70 (NEC)

CÓDIGO CANADIENSE ELÉCTRICO PARTE 1-NUMERO CSA C22.1

INTRODUCCIÓN

Felicitaciones por haber adquirido su nueva lavadora de presión. Puede estar seguro de que su lavadora de presión fue construida y diseñada pensando en la calidad y la eficacia de funcionamiento. Cada componente ha sido probado rigurosamente para asegurar el nivel más alto de confiabilidad.

Este manual del operador fue preparado para su beneficio. Si lee y sigue los sencillos pasos de seguridad, instalación, operación y mantenimiento, así como de diagnóstico y solución de fallas que se describen en este manual, su nueva lavadora de presión le ofrecerá muchos años de operación sin problemas. El contenido de este manual se basa en la información más reciente del producto, disponible al momento de la publicación. Manufacturer se reserva el derecho de hacer cambios de precio, color, materiales, equipo, especificaciones o modelos en cualquier momento sin previo aviso.

¡IMPORTANTE!

Estos párrafos están rodeados por un “CUADRO DE AVISO DE SEGURIDAD”. Este cuadro se usa para especificar y enfatizar las advertencias de seguridad que se deberán cumplir al operar esta lavadora a presión. Junto con las Advertencias de Seguridad se encuentran “palabras clave” que designan el grado o nivel de riesgo. Las “palabras clave” usadas en este manual son las siguientes:



PELIGRO: Indica una situación inminentemente peligrosa que, de no evitarse, **CAUSARÁ lesiones graves o fatales.**



ADVERTENCIA: Indica una situación potencialmente peligrosa que, de no evitarse, **PODRÍA causar lesiones graves o fatales.**



PRECAUCIÓN: Indica una situación potencialmente peligrosa que, de no evitarse, **PODRÍA causar una lesión menor o moderada.**



Los símbolos a la izquierda de este párrafo son “símbolos de aviso de seguridad”. Estos símbolos se usan para señalar puntos o procedimientos que podrían ser peligrosos para usted o para otras personas que usen este equipo.

Siempre proporcione una copia de este manual a quien use este equipo, lea todas las instrucciones antes de operar esta lavadora a presión y especialmente señale las “advertencias de seguridad” para prevenir posibles lesiones al operador.

Una vez que haya sacado la unidad de su caja, anote inmediatamente el número de serie en el espacio proporcionado a continuación.

Número de serie: _____

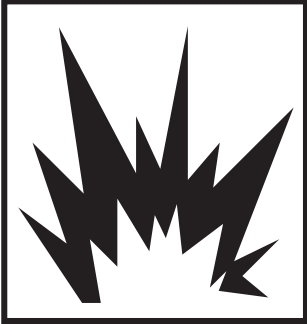

Debe inspeccionar el equipo para determinar si hay señales de daño evidente u oculto ocurrido durante la transportación. Si se encuentra algún daño, presente una queja con la compañía de transportación inmediatamente. Asegúrese de que todas las partes dañadas sean reemplazadas y que los problemas mecánicos y eléctricos sean corregidos antes de operar la unidad. Si requiere de servicio, llame a la oficina de servicio a clientes.

Por favor, prepare la siguiente información cada vez que efectúe una llamada de servicio:

1. Número de modelo
2. Número de serie
3. Fecha y lugar de compra


ADVERTENCIAS DE SEGURIDAD

PELIGRO: Deben observarse siempre las precauciones básicas, incluyendo las siguientes.
LEA TODAS LAS ADVERTENCIAS DE SEGURIDAD ANTES DE INSTALAR Y USAR LA LAVADORA A PRESIÓN

PELIGRO	POSIBLE CONSECUENCIA	PREVENCIÓN
<p data-bbox="185 233 423 310">RIESGO DE EXPLOSIÓN O INCENDIO</p>  	<p data-bbox="532 226 922 304">Pueden ocurrir lesiones graves o fatales debido a una instalación inadecuada.</p> <p data-bbox="532 428 922 533">Pueden ocurrir lesiones graves o fatales si no se mantienen correctamente los dispositivos de seguridad del sistema.</p>	<p data-bbox="938 226 1487 331">En la instalación de esta unidad, incluyendo toda la tubería de gas, deben cumplirse todos los códigos y reglamentos locales, estatales y nacionales.</p> <p data-bbox="938 432 1487 485">Nunca deje desatendida la máquina si está en funcionamiento.</p> <p data-bbox="938 541 1487 625">¡No use esta lavadora de presión para rociar líquidos inflamables! Los líquidos inflamables pueden generar humos que se pueden incendiar.</p> <p data-bbox="938 680 1487 842">Esta lavadora de presión tiene varios dispositivos de seguridad que nunca deben modificarse, quitarse o anularse. Si uno de estos dispositivos falla, reemplácelo inmediatamente usando solamente piezas de repuesto genuinas del fabricante original.</p>

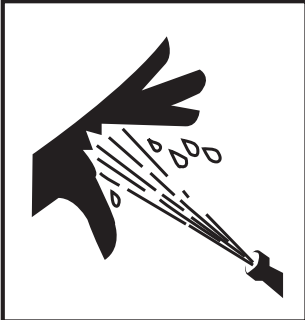
ADVERTENCIAS DE SEGURIDAD

LEA TODAS LAS ADVERTENCIAS DE SEGURIDAD ANTES DE INSTALAR Y USAR LA LAVADORA A PRESIÓN

PELIGRO	POSIBLE CONSECUENCIA	PREVENCIÓN
<p style="text-align: center;">RIESGO DE ELECTROCUCIÓN O CHOQUE ELÉCTRICO</p> 	<p>Hay riesgo de lesiones graves o fatales si la instalación no es adecuada.</p> <p>Pueden sufrirse lesiones graves o fatales si la lavadora de presión no está correctamente conectada a tierra. Su lavadora de presión tiene alimentación de electricidad y puede causar choques eléctricos o electrocución si no se usa correctamente.</p> <p>Puede sufrirse choque eléctrico si la lavadora de presión no se opera correctamente.</p> <p>Puede sufrirse una lesión grave o fatal si se hace contacto con el circuito eléctrico.</p> <p>Puede sufrirse una lesión grave o fatal si se intenta hacer una reparación eléctrica sin haber recibido la capacitación necesaria.</p>	<p>Para la instalación de esta unidad, inclusive de las conexiones eléctricas, deben cumplirse todos los códigos y reglamentos locales, estatales y nacionales (las normas que deben cumplirse incluyen NFPA No.70/NEC del código nacional eléctrico. En Canada; Refiera al código canadiense eléctrico partel - numero CSA C22.1).</p> <p>Esta unidad tiene que conectar a un sistema permanente de eléctrica de la tierra o un conductor del equipo de la tierra tiene que funcionar con los conductores de circuito y conectar al principal del equipo de la tierra en la unidad.</p> <p>Asegúrese que la lavadora de presión esté conectada a una fuente con toma de tierra adecuada, que proporcione el voltaje correcto y tenga la protección adecuada de fusible. Desconecte de la fuente de energía cuando no use el aparato y cuando haga reparaciones.</p> <p>Nunca opere la lavadora de presión con sus compartimentos abiertos o con tapas quitadas o dañadas.</p> <p>No toque la máquina cuando esté parado en piso mojado o con las manos mojadas. Nunca permita que la fuente de alimentación eléctrica o las conexiones hagan contacto con el agua.</p> <p>No rocíe directamente sobre instalaciones eléctricas. Esto incluye contactos eléctricos, bombillas, cajas de fusibles, transformadores y la unidad misma.</p> <p>No permita que los componentes metálicos de la lavadora de presión hagan contacto con componentes eléctricos vivos.</p> <p>Cualquier cableado o reparación del sistema eléctrico debe realizarlo un técnico de servicio autorizado y de acuerdo con los códigos eléctricos locales y nacionales.</p> <p>Antes de abrir un gabinete eléctrico, siempre apague la lavadora de presión, libere la presión y desconecte la lavadora de la fuente de alimentación. Permita que la lavadora de presión se enfríe. Nunca suponga que la lavadora de presión es segura, solamente porque no está en operación. Podría encenderse en cualquier momento.</p>


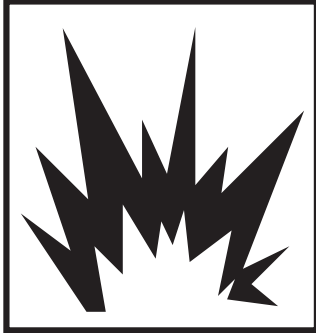

ADVERTENCIAS DE SEGURIDAD

LEA TODAS LAS ADVERTENCIAS DE SEGURIDAD ANTES DE INSTALAR Y USAR LA LAVADORA A PRESIÓN

PELIGRO	POSIBLE CONSECUENCIA	PREVENCIÓN
<p>RIESGO DE INYECCIÓN O LESIÓN SEVERA POR CORTADURA GRAVE</p> 	<p>Hay riesgo de una lesión grave o fatal por penetración de la piel al rociar líquido a alta presión.</p>	<p>Manténgase apartado de la boquilla y del líquido rociado. Nunca ponga la mano, los dedos o el cuerpo directamente enfrente de la boquilla de rocío.</p> <p>Nunca apunte la descarga de alta presión hacia su cuerpo o hacia otra persona.</p> <p>Este producto debe ser usado solamente por operadores capacitados.</p> <p>Siempre mantenga el área de operación despejada de personas.</p> <p>Para reducir el riesgo de lesiones graves, es necesario para tener supervisión bueno cuando usando este equipo cerca de niños. No permita que algún niño opere esta unidad.</p> <p>CONSIGA ATENCIÓN MÉDICA INMEDIATA si el rocío parece haber penetrado la piel. NO TRATE LA HERIDA COMO UNA SIMPLE CORTADURA. Prepárese para explicar al médico exactamente qué tipo de agentes limpiadores está usando, leyendo la hoja de especificaciones de seguridad del material (MSDS) que viene con su detergente.</p> <p>Las mangueras de alta presión deben ser inspeccionadas diariamente para detectar señales de desgaste. Si existe riesgo de roturas, reemplace todas las mangueras sospechosas para prevenir lesiones causadas por el rocío a alta presión. Si una manguera o conector tiene fuga, NUNCA PONGA LA MANO DIRECTAMENTE SOBRE LA FUGA.</p> <p>Antes de usar la lavadora de presión, o cuando use conectores rápidos para las mangueras y boquillas de alta presión, asegúrese que el “collar” de la conexión hembra esté firmemente trabado para prevenir una descarga accidental, y asegúrese que todos los conectores estén bien trabados.</p> <p>NUNCA opere la pistola con el gatillo fijado en la posición abierta. Para prevenir una descarga accidental la pistola debe estar trabada firmemente cuando no se use.</p> <p>Antes de quitar la boquilla o de reparar la unidad, SIEMPRE debe apagar la unidad y apretar el gatillo de la pistola para liberar la presión atrapada (aun después de apagar la unidad, puede existir agua a alta presión en la bomba, en las mangueras y en la pistola hasta que se libere la presión apretando el gatillo).</p>


ADVERTENCIAS DE SEGURIDAD

LEA TODAS LAS ADVERTENCIAS DE SEGURIDAD ANTES DE INSTALAR Y USAR LA LAVADORA A PRESIÓN

PELIGRO	POSIBLE CONSECUENCIA	PREVENCIÓN
<p>RIESGO DE QUEMADURAS</p> 	<p>Pueden sufrirse lesiones graves si se toca el intercambiador de calor. Estas áreas pueden permanecer calientes por algún tiempo después de haber apagado la lavadora de presión.</p>	<p>Nunca permita que alguna parte del cuerpo haga contacto con el intercambiador de calor.</p>
<p>RIESGO DE EXPLOSIÓN</p> 	<p>Pueden sufrirse lesiones graves a causa de mal funcionamiento de la lavadora de presión o explosión de accesorios si se usan componentes, aditamentos o accesorios incorrectos.</p> <p>Pueden sufrirse lesiones graves o fatales si se intenta encender la lavadora a presión cuando se encuentra congelada.</p>	<p>Nunca haga ajustes a las presiones que se hayan ajustado en la fábrica.</p> <p>Nunca se exceda de las presiones máximas permitidas por los fabricantes de los aditamentos.</p> <p>Nunca permita que las mangueras hagan contacto con el intercambiador de calor, para prevenir la posibilidad de que revienten. No arrastre las mangueras sobre superficies abrasivas como el cemento.</p> <p>Use solamente repuestos recomendados por el fabricante para su lavadora de presión.</p> <p>En temperaturas de congelación, la unidad debe estar suficientemente caliente para prevenir que se forme hielo en el interior. No encienda la lavadora de presión sin antes permitir que se descongele completamente.</p>
<p>RIESGO POR PARTES EN MOVIMIENTO</p> 	<p>Pueden sufrirse lesiones graves si el operador hace contacto con piezas en movimiento de la lavadora de presión.</p>	<p>No opere la unidad sin sus tapas protectoras ni haga ajustes sin apagar la lavadora, liberar la presión y desconectarla de la fuente de alimentación. Permita que la lavadora se enfríe. Nunca suponga que la lavadora de presión es segura, solamente porque no está en operación. Podría encenderse en cualquier momento.</p>

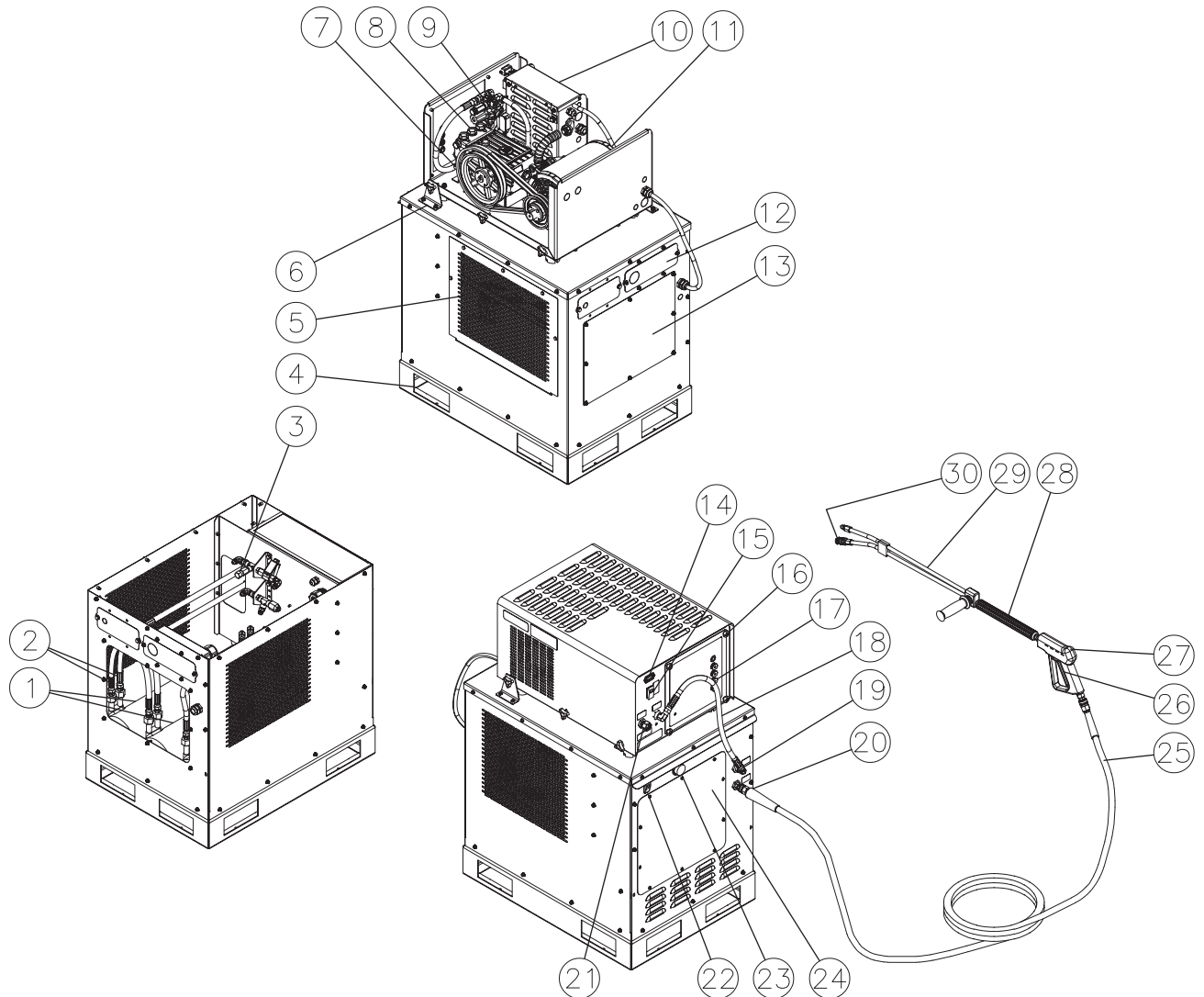
ADVERTENCIAS DE SEGURIDAD

LEA TODAS LAS ADVERTENCIAS DE SEGURIDAD ANTES DE INSTALAR Y USAR LA LAVADORA A PRESIÓN

PELIGRO	POSIBLE CONSECUENCIA	PREVENCIÓN
<p style="text-align: center;">RIESGO DE LESIONES</p> 	<p>Pueden sufrirse lesiones graves o fatales cuando los detergentes hacen contacto con la piel o la penetran.</p> <p>Pueden sufrirse lesiones graves a causa de residuos lanzados a alta velocidad por la pistola de rocío.</p> <p>Pueden sufrirse lesiones si el operador pierde el equilibrio a causa del chorro de agua que sale de la boquilla de rocío.</p> <p>Pueden sufrirse lesiones causadas por la lavadora de presión.</p>	<p>CONSIGA ATENCIÓN MÉDICA DE EMERGENCIA si el rocío parece haber penetrado la piel. NO TRATE LA HERIDA COMO UNA SIMPLE CORTADURA. Prepárese para explicar al médico exactamente qué tipo de agentes limpiadores estaba usando, leyendo la hoja de especificaciones de seguridad del material (MSDS) proporcionada con su detergente.</p> <p>Nunca use solventes o detergentes altamente corrosivos o limpiadores ácidos con esta lavadora de presión.</p> <p>Se recomienda usar equipo de protección como trajes de goma, guantes y respiradores, especialmente cuando se usan detergentes limpiadores. Mantenga todos los detergentes fuera del alcance de los niños.</p> <p>SIEMPRE use gafas protectoras cuando opere la unidad para proteger sus ojos de residuos y detergentes lanzados al aire.</p> <p>NO dirija el rocío hacia materiales frágiles como cristal porque los podría quebrar.</p> <p>Manténgase alerta y observe lo que hace. No opere la unidad cuando esté cansado o esté bajo la influencia de alcohol o drogas.</p> <p>NUNCA apriete el gatillo sin antes estar bien apoyado.</p> <p>NO se extienda demasiado ni se pare sobre un soporte inestable.</p> <p>Las superficies mojadas pueden ser resbalosas, por lo tanto debe usar calzado resistente y mantener una buena posición y equilibrio en todo momento.</p> <p>NUNCA apriete el gatillo mientras esté parado en una escalera o en un techo.</p> <p>SIEMPRE sostenga firmemente la pistola y varilla cuando encienda y cuando opere la unidad. Si no lo hace, puede caerse la varilla y moverse peligrosamente como un látigo.</p> <p>Debe saber cómo parar la lavadora a presión y cómo liberar la presión rápidamente. Familiarícese bien con los controles.</p> <p>NO deje la unidad a alta presión cuando se aparte. Apague la lavadora y libere la presión antes de apartarse.</p> <p>NO opere la unidad si hay aceite o agua que se ha fugado de la máquina. NO reanude la operación sin que antes la haya inspeccionado y reparado un técnico capacitado de servicio.</p> <p>Nunca haga ajustes en la máquina mientras esté en operación.</p> <p>Antes de cualquier servicio a la unidad: apague la lavadora a presión, libere la presión y desconecte la lavadora de su fuente de alimentación. Permita que la lavadora se enfríe. Nunca suponga que la lavadora de presión es segura, solamente porque no está en operación. Podría encenderse en cualquier momento.</p>

 ¡CONSERVE ESTAS INSTRUCCIONES! 

LISTA DE COMPONENTES



- | | |
|--|---|
| 1. Intercambiador de calor | 16. Panel del aceso |
| 2. Manguera de presión | 17. Dépósito de boquilla |
| 3. Válvula de alivio de presión | 18. Manguera de presión |
| 4. Acceso de carretilla | 19. Entrada de alta presión |
| 5. Abiertas de Ventilación | 20. Tomacorriente de presión alta |
| 6. Soporte de Montaje | 21. Entrada del agua |
| 7. Válvula de descarga térmica | 22. Interruptor de quemador con un luz de indicio |
| 8. Bomba de presión alta | 23. Termostato ajustable |
| 9. Descargadora de toques de presión | 24. Recinto de eléctrico |
| 10. Recinto de eléctrico | 25. Manguera de presión |
| 11. Motor Eléctrico | 26. Cerradura de seguridad de gatillo |
| 12. Caja de empalme | 27. Gatillo de pistola |
| 13. Panel de servicio de fontanería | 28. Lanza con aislante |
| 14. Hora contadores | 29. Lanza doble ajustado de presión |
| 15. Interruptor de bomba con un luz de indicio | 30. Boquillas de presión alta |

INSTALACIÓN

LUBICACIÓN DE LA UNIDAD:

1. Esta unidad debe instalarla en interiores un técnico capacitado. Debe ser un ambiente sin riesgo de congelación y seco, apartado de viento y lluvia. Si alguna parte de la unidad se congela, la presión excesiva resultante podría causar un estallido y posibles lesiones graves al operador o a las personas que se encuentren cerca. Deben tomarse las precauciones normales para que la humedad no llegue a los controles eléctricos de la unidad de potencia.
2. Esta unidad debe colocarse sobre un piso nivelado para asegurar la lubricación adecuada de la bomba de agua al operar. NUNCA rocíe agua directamente hacia la unidad.

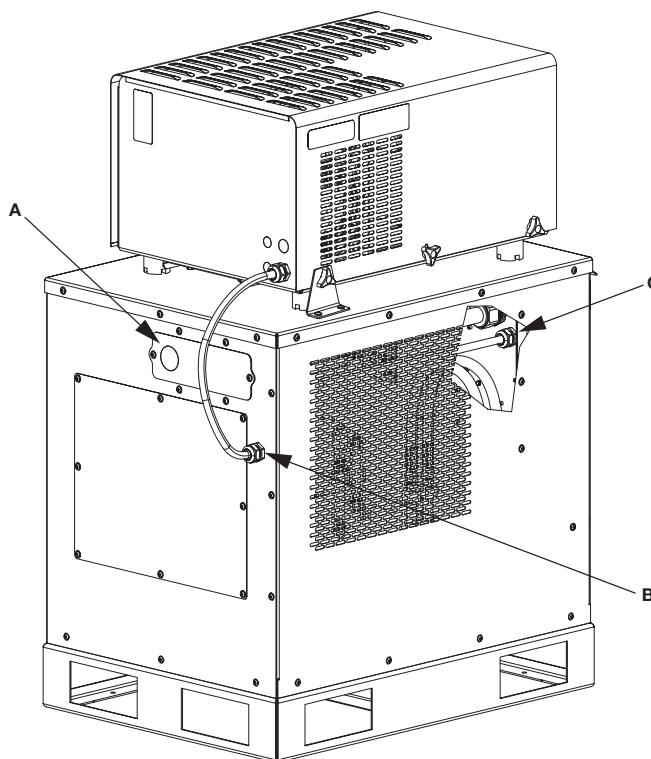


ADVERTENCIA

¡RIESGO DE ELECTROCUCIÓN!
ESTA UNIDAD DEBE CONECTARSE
A UNA TOMA DE CORRIENTE CON
CONEXIÓN A TIERRA ADECUADA.

INSTALACIÓN ELÉCTRICA:

1. Un técnico capacitado de servicio debe realizar la instalación de esta unidad y toda la instalación eléctrica debe cumplir con los códigos y reglamentos locales, estatales y nacionales, incluyendo el NFPA No. 70 del código eléctrico nacional (NEC). En Canada; Refiera al código canadiense eléctrico parte 1 - numero CSA C22.1.
2. Esta unidad llega a usted con las puntas de cables en una caja de conexiones dentro del gabinete. Vea la ilustración abajo, punto A. Usted debe conectar allí la fuente de alimentación.
3. Debe asegurarse que la alimentación eléctrica tiene las especificaciones de la placa de su lavadora de presión.
4. El cable de la vivienda del motor/ bomba debe ser enrutado a través de los puntos "B" y "C" en la ilustración abajo, a continuación, en el bloque de potencia de acuerdo con el diagrama de cable proporcionado con la máquina (que se encuentra en el interior del panel de servicio frontal).
5. Asegúrese que todas las conexiones queden firmes y vuelva a poner todas las tapas.



INSTALACIÓN

SUMINISTRO DE AGUA:

1. Seleccione una manguera de suministro de agua de buena calidad similar a una de jardín, que mida por lo menos 3/4" de diámetro interior y 50 pies de largo como máximo (vea la ilustración #1).
2. Conecte un extremo de la manguera a la entrada de agua del aparato. Conecte el otro extremo a su red de suministro presurizada.

NOTA: Si hay contenido alto de minerales en el agua, se recomienda usar un ablandador de agua para prevenir la acumulación excesiva de minerales en los serpentines del intercambiador de calor.

3. Asegúrese que todas las conexiones estén firmemente apretadas.
 - a. La manguera de suministro a la entrada de agua del aparato.
 - b. La manguera de suministro a la red presurizada de agua.
4. Cumpla con los requisitos que se mencionan a continuación para el suministro de agua:
 - a. La presión del agua debe estar entre un mínimo de 20 PSI y un máximo de 65 PSI.
 - b. El flujo de entrada en GPM debe ser aproximadamente un galón más que el flujo de salida especificado en GPM en la placa de la lavadora de presión. Puede medir el flujo de la línea tomando el tiempo que tarda en llenar un recipiente de 5 galones.
 - c. La temperatura del agua de entrada no debe exceder de 79 °C. Puede causarse daño excesivo a la bomba si la temperatura del agua excede de este nivel aceptable.

NOTA: Si el suministro de agua no es adecuado o la manguera está torcida, el aparato no funcionará debidamente y el quemador no se encenderá.

5. Nunca permita que el aparato opere sin la línea de agua de entrada conectada y la válvula de suministro de agua completamente abierta.

ILUSTRACIÓN #1 CONEXIÓN DE LA MANGUERA

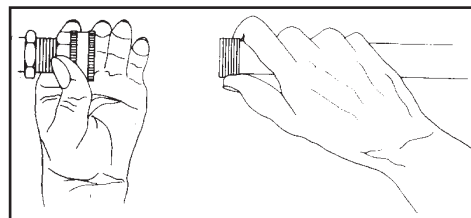
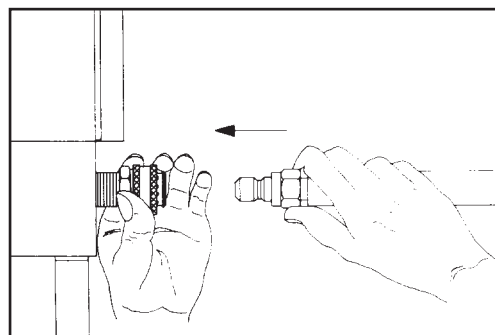


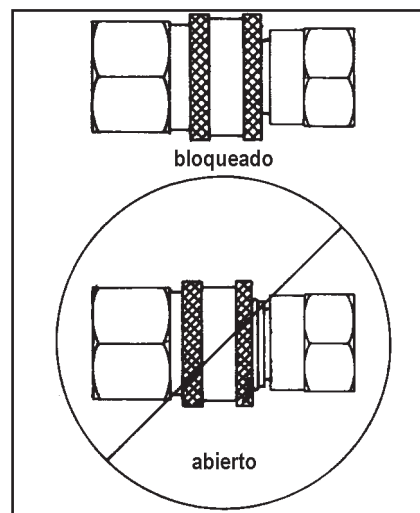
ILUSTRACIÓN #2 CONEXIÓN DE MANGUERA DE ALTA PRESIÓN



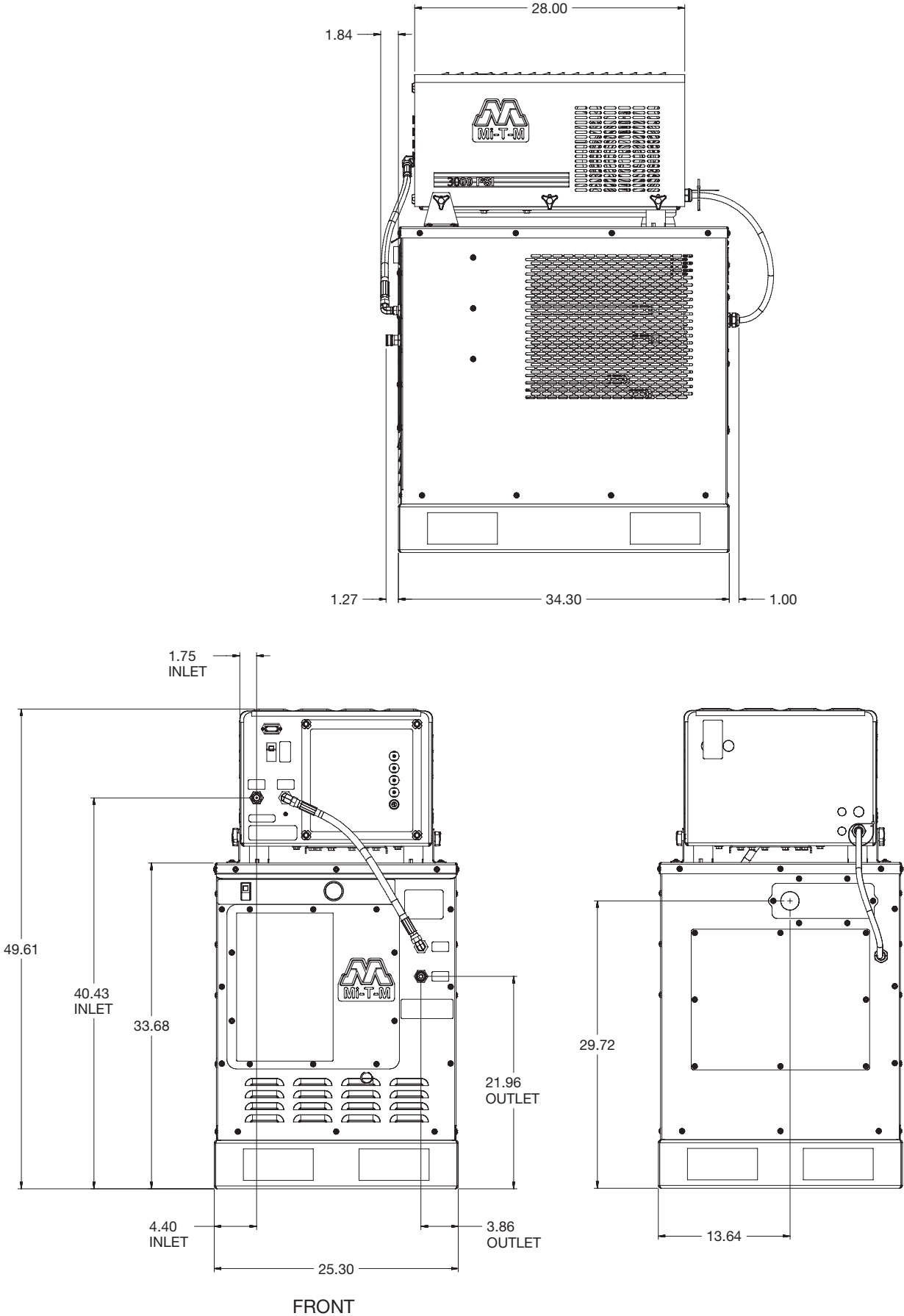
CONEXIÓN DE ALTA PRESIÓN:

Conecte la manguera de descarga de alta presión uniéndola a la lavadora y el otro extremo a la pistola. Asegúrese que los conectores rápidos estén firmemente trabados (vea las ilustraciones #2 y #3).

ILUSTRACIÓN #3 CONECTOR RÁPIDO



INSTALACIÓN



INSTALACIÓN

LISTA DE VERIFICACIÓN PREOPERATIVA:

Antes de encender la unidad, conteste las preguntas de esta lista:

PREGUNTAS

	SÍ	NO
CÓDIGOS:		
1. ¿Cumple la instalación eléctrica con los códigos respectivos?	—	—
LUBICACIÓN:		
1. ¿Está instalada la unidad en el interior de un edificio sobre un piso no combustible en un área seca protegida de exceso de viento, lluvia y humedad?	—	—
INSTALACIÓN ELÉCTRICA:		
1. ¿Está conectada debidamente a tierra la unidad?	—	—
2. ¿Cumplen todos los componentes eléctricos de la instalación con los requisitos mostrados en la placa de especificaciones del aparato (32) y se alimenta el voltaje correcto?	—	—
GENERAL:		
1. ¿Han leído todos los operadores de esta unidad el manual de instalación y operación y entendido todas las advertencias de seguridad?	—	—
2. ¿Ha sido instalada la unidad por técnicos capacitados que siguieron las instrucciones del manual de instalación y operación?	—	—
3. ¿Existe un suministro de agua abundante?	—	—

SI SE MARCA NO EN CUALQUIERA DE ESTAS PREGUNTAS, CORRIJA LA SITUACIÓN ANTES DE OPERAR ESTE APARATO.

PREPARACIÓN

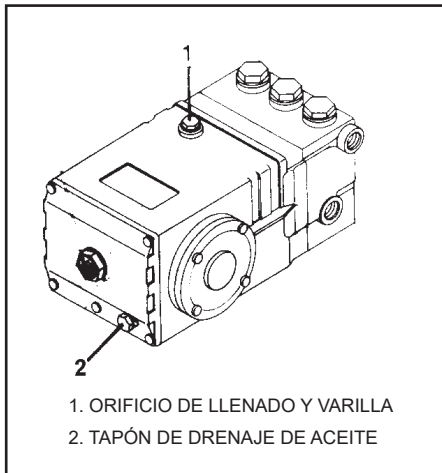
VESTIMENTA:

1. Es esencial usar ropa adecuada para su seguridad. Se recomienda utilizar los medios necesarios para proteger ojos, oídos y piel. Puede requerirse equipo de seguridad adicional (como mascarilla respiratoria) cuando se usan detergentes limpiadores con esta lavadora de presión.



ILUSTRACIÓN #4

BOMBA- DE NIVEL DE ACEITE DE ATRÁS PREENCENDIDO:



1. Verifique que de “voltaje” esté encendida.
2. Debe revisarse el nivel de aceite de la bomba antes de cada uso. Revise el nivel de aceite sacando al varilla que está encima del cárter de la bomba. El nivel adecuado de aceite está marcado con una muesca en la varilla (vea la ilustración #4). Si el nivel es bajo, use aceite de bomba SAE10W-30. Vuelva a poner las tapas.

DESCARGADOR:

El descargador ha sido preajustado en la fábrica y sólo debe ser ajustado por un técnico capacitado.

PREPARACIÓN

BOQUILLAS DE CONEXIÓN RÁPIDA:

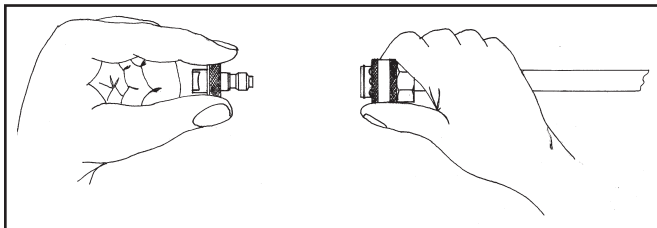
Boquillas varias se puede estar conectores roscados en el fin de doble lanza para cambiar el diseño de atomizadora. La boquilla de detergente ha preintalado en la fabrica. Cuando usando conexiones roscados (Q.C) asegúrese de que la conexión tiene cerradura seguras como el foto a la derecha. Si no está segura la presión alta se puede salir disparado la boquilla de la lanza. Este se puede ocurrir lesiones graves o danos serios. Referir al número que imprimió en la boquilla para determinar ventilador de atomizadora. Los dos dígitos primeros indicar el grado de ventilador de atomizador: 00 = 0°, 15 = 15°, 25 = 25° y 40 = 40°.

1. **La boquilla de 0° (ROJA):** Esta es una boquilla de chorro. Proporciona una corriente de agua muy concentrada. Tenga cuidado cuando use esta corriente angosta y recta. No se recomienda para superficies pintadas o de madera, ni para objetos adheridos con adhesivo al reverso. Se usa para remover hierba de cuarteaduras de aceras, manchas difíciles de superficies de concreto, mampostería, aluminio y acero, costras de lodo en equipo, y limpieza de la parte inferior de cortadoras de césped.
2. **La boquilla de 15° (AMARILLA):** Esta es una boquilla de cincelar. El rociado debe dirigirse a un ángulo de 45° a la superficie para usarse como raspador y remover pintura, grasa y suciedad. Usos: preparación de superficies (eliminación de manchas de moho y pintura descascarada), limpieza de desagües y tubos de drenaje.
3. **La boquilla de 25° (VERDE):** Esta es una boquilla de barrido. El patrón de rociado es adecuado para desprender suciedad, lodo y cochambre. Usos: barrido de hojas " de aceras, andadores y entradas de coche, limpieza de pisos de establos, lavado de fondos de albercas, desengrasado de motores.
4. **La boquilla de 40° (BLANCA):** Esta es una boquilla de lavado. Esta boquilla de rociado amplio dispersa el agua a presión sobre un área amplia y se recomienda para lavado moderado. Usos: lavado de forros de paredes de aluminio, limpieza de ventanas, lavado de vehiculos, lavado de aceras, andadores y patios.

CONEXIÓN DE LA BOQUILLA:

1. Asegúrese que la pistola esté trabada en su posición cerrada (OFF) (vea la ilustración #7).
2. La boquilla de conexión rápida debe desconectarse de la varilla doble de presión ajustable en este momento. Como se muestra en la ilustración #8, tiene que mover hacia atrás el anillo de trabado que está en el conector para remover la boquilla.

**ILUSTRACIÓN #8
CONEXIÓN DE LA BOQUILLA**



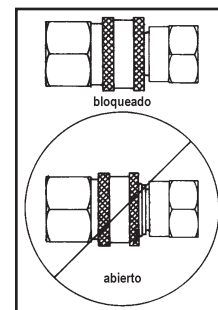
ADVERTENCIA

¡RIESGO DE INYECCIÓN CAUSANDO LESIÓN GRAVE!

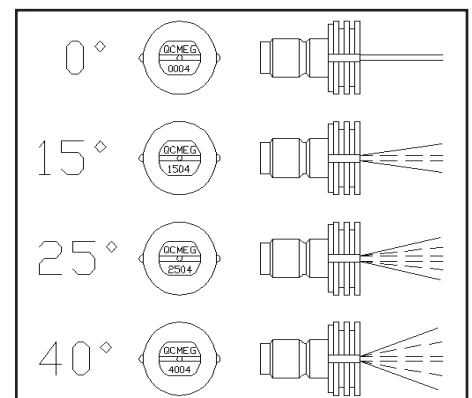
¡LA PISTOLA DEBE SIEMPRE MANTENERSE TRABADA EN SU POSICIÓN CERRADA CUANDO NO SE USE!

¡NUNCA MIRE DIRECTAMENTE HACIA LA BOQUILLA, A MENOS QUE ESTÉ DESCONECTADA DEL CONJUNTO DE PISTOLA Y VARILLA!

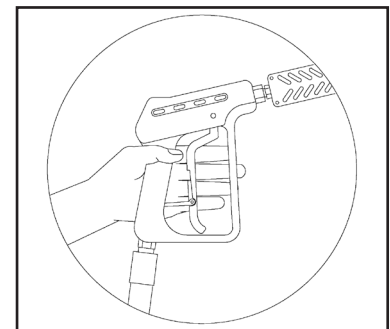
**ILUSTRACIÓN #5
CONECTOR RÁPIDO**



**ILUSTRACIÓN #6
BOQUILLAS DE CONEXIÓN RÁPIDA**



**ILUSTRACIÓN #7
TRABA DE LA PISTOLA**

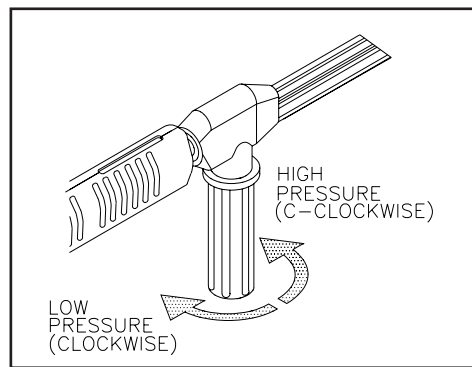


PREPARACIÓN

CONJUNTO DE VARILLA DOBLE DE PRESIÓN AJUSTABLE:

1. Esta unidad tiene una varilla doble de presión ajustable que permite al usuario seleccionar entre rociado de alta o baja presión. Simplemente se gira el mango ajustable de la varilla para obtener la presión deseada.
 - a. La selección de alta presión se logra girando el mango ajustable de la varilla en sentido contrario a las manecillas del reloj como se muestra en la ilustración #9.
 - b. La selección de baja presión se logra girando el mango ajustable de la varilla en el sentido de las manecillas del reloj como se muestra en la ilustración #9. Si se usa el accesorio para inyección de detergente, al llegar a una presión suficientemente baja, este inyector empezará a extraer detergente hacia el sistema. La mezcla de agua y detergente sale por la boquilla de rociado y la boquilla de detergente.

ILUSTRACIÓN #9
VARILLA DOBLE



INSPECCIÓN DE SEGURIDAD ANTES DEL ENCENDIDO:

1. Antes de encender la unidad, siga los siguientes pasos de inspección:
 - a. Revise todas las conexiones de mangueras para asegurarse que estén firmemente apretadas.
 - b. Inspeccione el sistema para detectar fugas de agua o aceite.
 - c. Inspeccione el sistema para detectar torceduras, cortaduras o fugas en las mangueras de alta presión. Si encuentra una cortadura o fuga, ¡NO USE LA MANGUERA! Cambie la manguera antes de encender el aparato. Vea la sección de advertencias de "Riesgo de inyección" en la página 71. Asegúrese de reemplazar todas las piezas dañadas y corregir los problemas mecánicos antes de operar el aparato. Si requiere servicio, comuníquese a la oficina de servicio a clientes.

ADVERTENCIA

LAS SIGUIENTES PÁGINAS CONTIENEN INSTRUCCIONES SOBRE LA OPERACIÓN Y EL MANTENIMIENTO.

NO INTENTE OPERAR ESTA LAVADORA A PRESIÓN HASTA QUE HAYA LEÍDO Y COMPRENDIDO TODAS LAS PRECAUCIONES E INSTRUCCIONES DE SEGURIDAD SEÑALADAS EN ESTE MANUAL. SIGA INSTRUCCIONES DE MANTENIMIENTO QUE ESPECIFICAR EN ESTA MANUAL.

¡LA OPERACIÓN INCORRECTA DE ESTA UNIDAD PUEDE CAUSAR LESIONES GRAVES!

¡NO ALTERE NI MODIFIQUE ESTE EQUIPO DE NINGUNA MANERA!

INSTRUCCIONES DE OPERACIÓN



PRECAUCIÓN

RIESGO DE DAÑO A LA UNIDAD
ASEGÚRESE QUE NO ESTÉN
CONECTADAS LA MANGUERA,
LA PISTOLA O LA BOQUILLA CU-
ANDO SE ESTÉ PURGANDO EL
SISTEMA. AL PURGARSE LIBER-
AN DEPÓSITOS MINERALES DEL
SISTEMA, LOS CUALES PODRÍAN
OBSTRUIR O DAÑAR LA PISTOLA
Y LA BOQUILLA, REQUIRIENDO
REPARACIONES COSTOSAS.



PELIGRO

¡RIESGO DE INYECCIÓN QUE PRO-
VOCA LESIONES GRAVES!
¡MANTÉNGASE COMPLETAMENTE
APARTADO DE LA BOQUILLA!
¡NUNCA COLOQUE LA MANO O
LOS DEDOS DELANTE DE LA BO-
QUILLA! ¡NO DIRIJA EL CHORRO
DE DESCARGA HACIA PERSONAS
O MASCOTAS!



PRECAUCIÓN

RIESGO DE DAÑO
NO PERMITA QUE EL PATRÓN DE
ROCÍO PERMANEZCA EN UNA
ÁREA FIJA DURANTE UN PERI-
ODO DE TIEMPO PROLONGADO.
PUEDE CAUSAR DAÑOS EN ESA
ÁREA.

Una vez que un técnico capacitado haya instalado el aparato y usted haya completado la lista de verificación preoperativa en la página 81, ya está listo para la operación. Los siguientes pasos le ayudarán a operar su máquina con seguridad.

ENJUAGUE DEL SISTEMA:

1. Esta unidad tiene un serpentín de acero en el que se torna marrón o negra el agua residual del uso previo. Debe evacuarse y enjuagarse el sistema antes de encenderlo. Este procedimiento se realiza sin tener instalada la pistola y la varilla doble de presión ajustable.
 - a. Verifique que esté abierta la alimentación de agua.
 - b. Muera interruptor de bomba a posición de "ON" y encienda la unidad de bomba.
 - c. Opere la unidad por 3 a 5 minutos.
 - d. Apaque la maquiña.
 - e. Una vez que enjuague el sistema, conecte la pistola y la varilla doble de presión a la manguera de alta presión.

OPERACIÓN CON AGUA FRÍA:

1. Consulte la sección de "Precauciones de seguridad" en las páginas 68 a 73 antes de encender la unidad.
2. Busque las calcomanías de seguridad en su unidad y respete estas advertencias.
3. Asegúrese que el interruptor del intercambiador de calor esté apagado (posición OFF).
4. Apunte con la pistola en una dirección segura, destrabe el gatillo de la pistola y apriételo. Apóyese bien para soportar una posible patada de la pistola cuando la bomba arranque.
5. Mueva interruptor de bomba a la posición de "ON" y encienda la unidad de bomba.
6. Una vez que haya encendido la unidad, siga los siguientes pasos con la pistola abierta.
 - a. Inspeccione el sistema para detectar fugas de agua o aceite.
 - b. Inspeccione las mangueras de alta presión para detectar fugas. Si descubre una fuga, ¡NO TOQUE LA MANGUERA! ¡APAGUE EL APARATO INMEDIATAMENTE! Reemplace la manguera antes de usar el aparato. Vea la sección de advertencias "Riesgo de inyección" en la página 71. Asegúrese que reemplacen todas las partes dañadas y corrijan los problemas mecánicos antes de operar la unidad.
7. En este punto, la unidad está operando como lavadora de presión con agua fría. Apriete el gatillo de la pistola varias veces y trate de ajustar la presión del agua girando el mango de la varilla doble. ¡NUNCA ponga las manos o los dedos en frente de la boquilla ni mire directamente hacia la boquilla! ¡El agua a alta presión crea un riesgo de lesiones graves!
8. No permita que la unidad funcione en un modo de derivación (con el gatillo cerrado) por más de tres minutos sin accionar el gatillo de la pistola. El no seguir esta simple regla puede causar la falla prematura de los sellos del empaque de la bomba, resultando en una reparación costosa a la misma.
9. Su lavadora de presión puede ofrecerle rociado a alta presión y una gran variedad de patrones de rociado con agua fría. Si desea usar agua caliente o detergentes limpiadores, vea en la página 87 los procedimientos correctos.

INSTRUCCIONES DE OPERACIÓN

OPERACIÓN CON AGUA CALIENTE:

1. Siga los pasos descritos para "OPERACIÓN CON AGUA FRÍA".
2. Mueva el interruptor del intercambiador de calor a la posición de encendido (ON). Al inicio de encendido el agua comenzará a calentarse en 60 segundos aproximadamente y alcanzará su temperatura máxima en 3 a 5 minutos aproximadamente, siempre y cuando se mantenga oprimido el gatillo de la pistola. El intercambiador de calor se apagará cuando se suelte el gatillo.
3. Ajuste el termostato en la regulación deseada.

En este punto, la unidad está operando como lavadora de presión de agua caliente. Recuerde ser extremadamente cuidadoso cuando ajuste la presión y controle el conjunto de pistola y varilla para evitar la posibilidad de quemaduras.

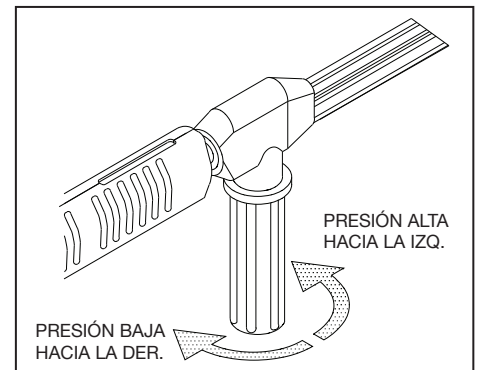
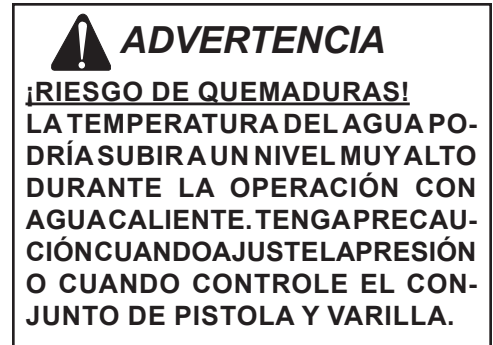
LIMPIEZA CON DETERGENTES:

Esta función está diseñada para usar detergentes suaves solamente, ya que causarían daño extenso y representarían un riesgo a la seguridad.

1. Vea las advertencias de "Riesgo de lesiones", página 60. Asegúrese de usar vestimenta protectora de seguridad como se indica en la página 66.
2. Ajuste el inyector de detergente entre el enchufe de la unidad y la manguera de alta presión.
3. Prepare la solución de detergente de acuerdo con las instrucciones del rótulo. Nunca bombee ácidos, alcalinos, fluidos abrasivos o solventes a través de la unidad.
4. De unidad están equipadas con un botón ajustable, puede ajustar la cantidad de detergente deseado, girando el botón completamente en contra de reloj, para ajustar a razón de sifón máxima.
5. Sumerja completamente en la solución de detergente el extremo del colador de la manguera transparente de vinilo para detergente.
6. Dé vuelta a la manija de control de presión a la izquierda a una presión más baja y divierta el agua a través del inyector del detergente.

NOTA: Este sistema de inyección está diseñado para aplicar detergentes a baja presión solamente. No permitirá que se introduzcan soluciones de detergente en el sistema a menos que la boquilla del detergente esté instalada en el modo de alta presión.

7. Desenganche la pistola a gatillo y accione el gatillo, para aplicar la solución. Una mezcla de detergente/agua saldrá de la boquilla de baja presión en unos pocos momentos. Comience rociando la porción inferior de la superficie que está siendo limpiada y muévase hacia arriba usando pasadas largas superpuestas. El aplicar desde abajo hacia arriba ayuda a evitar el estriado. Permita que se empape brevemente. (Para minimizar la posibilidad de que se seque el detergente, lo que puede resultar en daños a las superficies pintadas, evite trabajar sobre superficies calientes o bajo la luz directa del sol.) Asegúrese de enjuagar una sección pequeña por vez.
8. Cuando usted acaba el lavarse, aclare simplemente dando vuelta a la manija de control variable de presión a la derecha. Llevará 30 segundos aproximadamente purgar todo el detergente de la tubería. Comience en la parte superior y trabaje hacia abajo, para obtener los mejores resultados del enjuague.
9. Después de cada uso, extraiga por sifón un galón de agua del sistema de inyección de detergente. Esto evita la posibilidad de corrosión o de que el residuo de detergente cause problemas mecánicos durante el próximo uso.



INSTRUCCIONES DE OPERACIÓN

APAGADO:

1. Si el interruptor del intercambiador de calor está todavía encendido, apáguelo.
 2. Apriete el gatillo y descargue agua por unos tres minutos para enfriar el intercambiador de calor y la manguera de alta presión (el enfriamiento insuficiente de la manguera de alta presión causará desgaste excesivo y rotura eventual de la manguera).
 3. Mueva interruptor de bomba a posición de "OFF" para parar la unidad de bomba. Si la máquina tiene la opción de apagarse de encendido retardada, espere para un descanso de reloj automático y apague la máquina. Vea abajo para más información de apagarse de encendido retardada.
 4. Oprima el gatillo de la pistola momentáneamente para liberar la presión atrapada.
-

MANTENIMIENTO

MANTENIMIENTO PREVENTIVO:

FUGAS: Elimine con prontitud cualquier fuga que encuentre en el sistema de bombeo removiendo las piezas sospechosas y aplicando sellador en las roscas antes de reinstalar.

NOTA: Si usa cinta de teflón, asegúrese que no entre cinta a la tubería para prevenir la posibilidad de taponamientos en las boquillas.

ACOPLADORES RÁPIDOS: Hay sellos anulares (o-ring) dentro de los acopladores, los cuales se pueden deteriorar. Para cambiarlos, simplemente instale un sello de repuesto para corregir la fuga (vea la ilustración #10). Puede adquirir sellos anulares con su distribuidor.

BOQUILLA: El flujo del agua a través de la boquilla erosiona el orificio, agrandándolo y causando como resultado pérdida de presión. Deben cambiarse las boquillas siempre que la presión baje a menos del 85% del máximo. La frecuencia de reemplazo depende de variables como el contenido de minerales en el agua y el número de horas que se usa la boquilla.

BOMBA:

1. Cambie el aceite de la bomba después de las primeras 50 horas de operación. Después del cambio inicial, se recomiendan intervalos de 3 meses o 250 horas. Si el aceite parece sucio o lechoso, pueden requerirse cambios más a menudo.
2. Busque la manguera de drenaje de aceite de la bomba.
3. Use un recipiente vacío para atrapar el aceite y quite el tapón de drenaje (vea la ilustración #11).
4. Permita que el aceite drene de la bomba y vuelva a poner el tapón. Elimine el aceite usado de acuerdo con los reglamentos locales, estatales y nacionales.
5. Llene el cárter de la bomba hasta que el nivel llegue a la muesca de la varilla usando aceite de bomba SAE10W-30. No llene demasiado.

INSPECCIÓN DE LA BANDA: Asegúrese de que la unidad está apagada. Quite el panel lateral o levante la tapa a inspeccione la correa en "V" para ver el desgaste y la tensión. Si es necesario cambiar o apretar la correa, efectúe el procedimiento indicado abajo, vea la ilustración #12.

CAMBIO:

1. Afloje los cuatro tornillos de montaje de la bomba (A).
2. Afloje las tuercas de los tornillos de alineación (B1 y B2) una pulgada (2.5 cm) aprox.
3. Deslice la bomba hacia el motor para aflojar las correas.
4. Retire y cambie la correa.

APRIETE: (Si no cambió la correa, va a necesitar aflojar las tuercas de los tornillos de alineación (B1 y B2) antes de proseguir.)

1. Apriete el tornillo de alineación B2. La bomba se desplaza hacia la izquierda hasta que haya tensión en la correa. Después apriete la tuerca B2.
2. Apriete el tornillo de alineación B1, hasta que queden alineadas ambas poleas. (Use una regla para la alineación.)
3. Oprima la correa para verificar la deflexión y la tensión. Debe haber una deflexión de 1/4" (6 mm) a 1/2" (12 mm) si la tensión está correcta.
4. Si están alineadas las poleas y está correcta la tensión, apriete la tuerca B1 y los cuatro tornillos de montaje de la bomba (A).
5. Si no está correcta la tensión, repita los pasos 6 y 7 hasta lograr la alineación y la tensión correctas. Apriete los cuatro tornillos de montaje (A) al terminar.
6. Afloje la tuerca B2, apriete el tornillo B2 y luego apriete aquélla.
7. Afloje la tuerca B1, apriete el tornillo B1 y luego apriete aquélla.7. Loosen B1 nut, tighten B1 bolt, tighten B1 nut.

ILUSTRACIÓN #10 ACOPLADORES RÁPIDOS

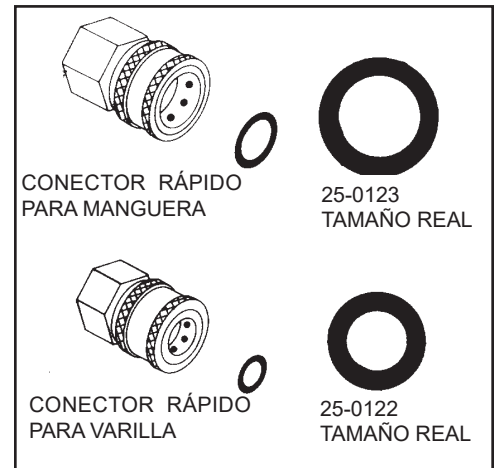


ILUSTRACIÓN #11 DRENAJE DE ACEITE DE LA BOMBA

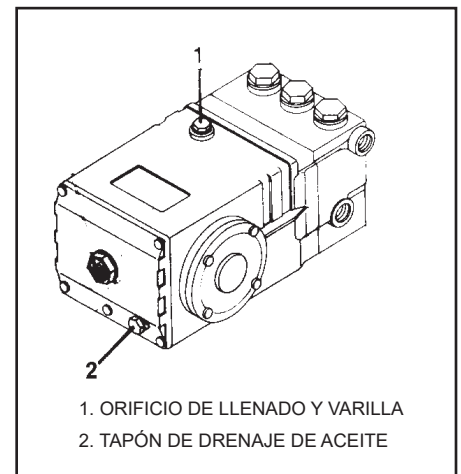
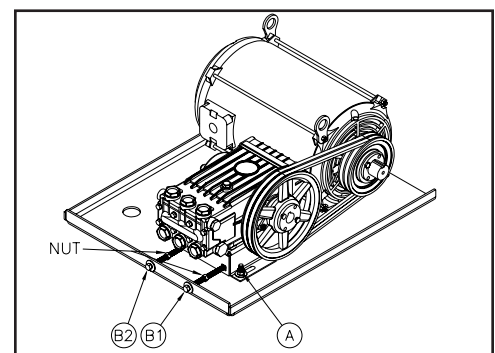


ILUSTRACIÓN #12 AJUSTE DE TENSIÓN DE CORREA



MANTENIMIENTO

PROBAR VOLTAJE Y CONSUMO DE CORRIENTE:

Con un voltímetro y un amperímetro pruebe la máquina para ver el voltaje y el amperaje. Si no cuenta con estos instrumentos, o no sabe como usarlos, entonces este procedimiento debe ser efectuado por un técnico de servicio autorizado.

DESCALCARIZACIÓN DEL SERPENTÍN:

Una pérdida de presión puede significar que necesita descalcarizarse el serpentín. Efectúe periódicamente este procedimiento.

1. Mezclar el polvo de solución no cáusticos / líquido en el tanque de flotación de acuerdo a las instrucciones del paquete.
2. Retire la boquilla de la caña. Coloque una media de nailon sobre el conjunto de la caña para recoger toda basura, y luego coloque el conjunto de la caña en el tanque de flotador.
3. Ponga el interruptor en la posición "Pump" (bomba). El agua circula a través del sistema y regresa al tanque de flotador. Permita que la circulación continúe de 2 a 4 horas.
4. Gire el interruptor a la posición "OFF" (apagado). Drene y limpie el tanque de flotador. Retire la media de nailon y limpie el conjunto de la caña.
5. Lave todo el sistema con agua dulce limpia y luego vuelva a colocar la boquilla en el conjunto de la caña.
6. Deseche la solución de descalcarización según los reglamentos locales, estatales y nacionales.

PREPARACION PARA EL INVIERNO:

Será necesario preparar esta unidad para el invierno, para fines de Almacenamiento y transporte en temperaturas ambiente inferiores al punto de congelación. Esta unidad debe protegerse contra la temperatura más baja incurrida por las siguientes razones:

1. Si se congela cualquier parte del sistema de bombeo puede acumularse una presión excesiva en la unidad, lo que podría causar que la misma reviente resultando en lesiones posibles graves al operador o a los observadores.
2. El sistema de bombeo de esta unidad puede resultar dañado permanentemente si se congela. **LOS DAÑOS POR CONGELACION NO ESTAN CUBIERTOS POR LA GARANTIA.**

Usted puede proteger su unidad siguiendo el procedimiento indicado abajo, si debe almacenarla en un lugar donde la temperatura puede descender por debajo de los 32°F.

1. Reúne los artículos siguientes:
 - a. Dos recipientes de 5 galones.
 - b. Un galón de anticongelante. (el fabricante recomienda un anticongelante seguro para el medio ambiente.)
 - c. Suministro de agua.
 - d. Una manguera de tres pies de largo con un D.I. de 1/2-3/4 y con un adaptador macho de manguera de jardín de 3/4 de pulgada.
2. Procedimiento:
 - a. Para comenzar a preparar su unidad para el invierno, la misma debe hacerse funcionar y cebarse de acuerdo con los "Procedimientos de Arranque".
 - b. Después de hacerla funcionar y cebarla.
 - c. Elimine la presión del sistema apuntando la pistola a gatillo hacia una dirección segura y accionando el gatillo hasta que el flujo de agua cese de salir por la boquilla.
 - d. Asegure la pistola a gatillo en la posición OFF y retire la boquilla.

CONTINUED

MANTENIMIENTO

PREPARACION PARA EL INVIERNO:

- e. Retire la manguera de suministro de agua de la unidad y fije seguramente la manguera de 3 pies a la conexión de entrada.
- f. Si fuera aplicable apague el inyector de detergente.
- g. Llene un recipiente de 5 galones con agua.
- h. Teniendo la manguera de 3 pies en un posición vertical, llene completamente la manguera con agua. Despices, tape la salida de manguera con su dedo. Ponga el fin enchufe entre el recipiente de 5 galones de agua.
- i. Arranque la unidad. Accione la pistola muchas veces hasta todo el aire está trabajado del sistema. (unidad está cebado)

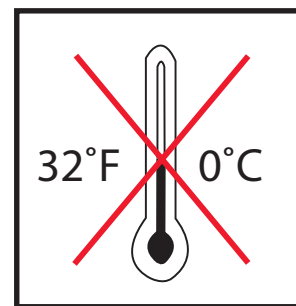
NOTA: *La preparación apropiada para el invierno está basada en las instrucciones recomendadas del fabricante incluidas en la "Tabla de Protección" mostrada en el rótulo posterior de la mayoría de los recipientes de anticongelantes.*

- j. Con el gatillo de pistola abierta, saque con sifón bastante agua del balde de 5 galones hasta había bastante agua para mezclar con el anticongelante.
- k. Apunte la vara hacia el recipiente vacío.
- l. Accione el gatillo de la pistola hasta que el anticongelante comience a salir por la vara. Suelte el gatillo por 3 segundos, a continuación accione el gatillo de la pistola por 3 segundos. Continúe ciclando la pistola varias veces hasta que toda la mezcla anticongelante es extraída del recipiente por la acción de sifón.
- m. Separe la manguera de 3 pies de la unidad y drene todo el exceso restante de anticongelante dentro del recipiente de 5 galones.
- n. Desconecte el conjunto de manguera/pistola/vara de la unidad y drene todo el exceso restante de anticongelante dentro del recipiente de 5 galones.
- o. Almacene la manguera, la pistola y vara junto con la unidad, en un lugar seguro.
- p. Almecene la solución anticongelante para un uso ulterior o descártela de acuerdo con las leyes de protección del medio ambiente correspondientes.

3. Procedimiento opcional:

- a. Apague la unidad y corte el suministro de agua.
- b. Elimine la presión del sistema apuntando la pistola a gatillo hacia una dirección segura y accionando el gatillo hasta que el flujo de agua cese de salir por la boquilla.
- c. Desconecte y drene la manguera, la pistola y la vara.
- d. Arranque la unidad y permita que funcione hasta que toda el agua salga de la misma. Apague una vez que el agua ha cesado de fluir de la unidad.

NOTA: *Debe ejercerse precaución al usar este procedimiento, ya que pueden formarse plaquitas de hielo de las gotas de agua, lo que podría causar que la unidad reviente si se arranca antes de estar completamente descongelada.*



MANTENIMIENTO

CUADRO DE MANTENIMIENTO PREVENTIVO PARA EL OPERADOR

PROCEDIMIENTO	DIARIAMENTE	3 MESES	6 MESES	9 MESES	12 MESES
Inspección de fuga de gas	X				
Inspección de fuga de agua	X				
Inspección de fuga de aceite					
Inspección de conectores y mangueras	X				
Revisión de nivel de aceite de bomba	X				
Cambio de aceite de bomba*		X	X	X	X
Revisión de tensión de correa		X	X	X	X
Cambio de boquilla de alta presión		X	X	X	X
Prueba de presión de agua			X		X
Prueba de temperatura de agua			X		X

*El aceite de la bomba debe cambiarse inicialmente a las 50 horas de operación y subsecuentemente cada 250 horas o 3 meses, lo que ocurra primero.

CUADRO DE MANTENIMIENTO PARA EL DISTRIBUIDOR

PROCEDIMIENTO	12 MESES
Desincrustación del serpentín*	X
Prueba de consumo de voltaje y amperaje	X

* La acumulación de incrustaciones variará dependiendo del contenido de minerales en el agua y la frecuencia de uso. Puede variar desde una limpieza cada mes hasta una limpieza cada año.

DIAGNÓSTICO Y SOLUCIÓN DE FALLAS

SEÑAL DE FALLA	CAUSA PROBABLE	SOLUCIÓN
El motor no funciona	Sobrecarga del circuito.	Determine si está encendida de voltaje. Si no está encendida, revise el disyuntor o fusible.
	Sobrecarga del circuito secundario.	Revise los fusibles primarios y secundarios del transformador.
	Sobrecarga del motor.	Restablezca el botón de sobrecarga térmica en el motor de la bomba o en la caja de interruptores eléctricos. Llame a la oficina de servicio a clientes.
No hay descarga en la boquilla cuando se aprieta el gatillo.	Suministro de agua cerrado.	Revise el suministro de agua a la entrada. Aumente el diámetro de manguera para tener suministro adecuado de agua (20 PSI, 6 GPM).
Presión baja o fluctuante.	Suministro de agua inadecuado. Entra aire a la bomba (cebado eliminado).	Apriete todas las conexiones de alimentación de agua. Elimine las fugas de la línea de alimentación.
	La válvula de detergente de alta presión está abierta sin tener el extremo de la manguera sumergido en el detergente (causa fuga de vacío y se elimina de cebado).	Cierre la válvula o sumerja la manguera de detergente en la solución. Vuelva a cebar la bomba.
	Doblez en la manguera de descarga de alta presión.	Cambie la manguera de alta presión que tiene el doblez.
	El mango ajustable en la varilla no está en modo de alta presión.	Gire el mango en sentido contrario a las manecillas del reloj para pasar a alta presión.
	Boquilla taponada o desgastada.	Quítela, límpiela o cámbiela.
	Válvula dañada o taponada en la bomba.	Quítela, límpiela o cámbiela.
	Empaques desgastados en la bomba.	Reemplace los empaques.
La válvula de descarga/derivación no opera correctamente.	Repare o reemplace.	
El aceite parece lechoso o espumoso.	Agua en el aceite.	Cambie el aceite de la bomba. Llene hasta el nivel adecuado.
Fuga de aceite de la bomba.	Sellos desgastados.	Llame a la oficina de servicio a clientes.
No se extrae el detergente por sifón.	El colador de detergente no está completamente sumergido en la solución de detergente.	Revise y sumerja si es necesario.
	Colador de detergente taponado.	Inspeccione, limpie o cambie.
	Manguera de detergente cortada, obstruida o doblada. Perilla reguladora de flujo de detergente en posición cerrada (OFF).	Inspeccione, limpie o cambie. Abra la perilla reguladora. Consulte la sección "Limpieza con detergentes".
El agua fluye por la boquilla cuando la pistola tiene el gatillo trabado en su posición cerrada (OFF).	Falla de funcionamiento en la pistola.	Repare o reemplace.

DIAGNÓSTICO Y SOLUCIÓN DE FALLAS

SEÑAL DE FALLA	CAUSA PROBABLE	SOLUCIÓN
El intercambiador de calor no enciende.	<p>El interruptor del intercambiador de calor no está en la posición de encendido (ON).</p> <p>La perilla del termostato está en la posición cerrada (OFF).</p> <p>La pistola está cerrada.</p> <p>Fallo en el interruptor de presión</p>	<p>Verifique la posición del interruptor.</p> <p>Verifique la posición de la perilla del termostato.</p> <p>Abra la pistola para crear presión.</p> <p>Repare o reemplace.</p>
Calentador no se calentará	Fracaso intercambiador de calor	Reemplace el módulo.
Gotea agua bajo el serpentín del intercambiador de calor.	Rotura en el serpentín del intercambiador de calor.	Reemplace el serpentín.

DECLARACIÓN DE GARANTÍA

El fabricante garantiza todas las piezas (excepto las piezas a las cuales se hace referencia más abajo) de su nueva lavadora de presión contra defectos en sus materiales o su manufactura durante los períodos siguientes:

- Para un curso de la vida contra congelar y agrietarse:
Colector de bomba
- Por siete (7) años a partir de la fecha original de compra:
La bomba de alta presión
- Por uno (1) años a partir de la fecha original de compra:
Intercambiador de calor
- Por dos (2) años a partir de la fecha original de compra:
Protecciones o guardas Tubería
Marcos Poleas
- Por un (1) año a partir de la fecha original de compra:
Termostato ajustable
- Por noventa (90) días a partir de la fecha original de compra:
Válvula de descargas Interruptor de presión
Termostato de límite arriba
- Por treinta (30) días a partir de la fecha original de compra:
Manguera de alta presión Pistola de gatillo Coladores/Filtros

Durante el período de garantía, se repararán o reemplazarán a discreción las piezas defectuosas que no estén sujetas a un desgaste normal. El reembolso en cualquier caso se limitará al precio de compra.

EXCLUSIONES

1. El motor está cubierto bajo una garantía por separado que su respectivo fabricante ofrece, y queda sujeto a los términos establecidos en dicha garantía.
2. Piezas sujetas a desgaste normal:
Empaques de las bombas Válvulas de la bomba
Filtros de combustible Válvulas del detergente
Boquillas Connexión Rapida
Correa o-aro
3. Esta garantía no cubre piezas dañadas a causa de desgaste normal, aplicación incorrecta, uso incorrecto, u operación a velocidades, presiones o temperaturas diferentes a las recomendadas. Tampoco se garantizan las piezas dañadas o desgastadas debido al uso de líquidos cáusticos o a la operación en ambientes abrasivos o corrosivos, o bajo condiciones que causen cavitación de la bomba. También se anula la garantía si no se siguen los procedimientos recomendados de operación y mantenimiento.
4. El uso de piezas que no sean genuinas anulará la garantía. Las piezas enviadas con porte prepago a la fábrica o a un centro de servicio autorizado serán inspeccionadas y reemplazadas sin cargo alguno si se encuentran defectuosas y están cubiertas por la garantía. No hay otras garantías que se extiendan más allá de la descripción presentada aquí. El fabricante no será responsable bajo ninguna circunstancia por pérdida de uso del aparato, pérdida de tiempo o renta, inconveniencia, pérdida comercial o daños consecuentes.

