



***Propane***  
***Convection Heater***  
**OPERATOR'S MANUAL**  
***MH-0080-CM11***  
***MH-0200-CM11***



**CAUTION: CONSUMER READ AND RETAIN THESE INSTRUCTIONS FOR FUTURE USE.**



**CAUTION**

**RISK OF INJURY! READ ENTIRE MANUAL BEFORE OPERATING!  
THIS MANUAL IS AN IMPORTANT PART OF THE PORTABLE HEATER  
AND MUST REMAIN WITH THIS UNIT!**



## TABLE OF CONTENTS

INTRODUCTION.....	3
IMPORTANT!.....	3
<b>IMPORTANT SAFETY INSTRUCTIONS.....</b>	<b>4</b>
WHAT TO DO IF THE SMELL OF GAS IS PRESENT:.....	6
<b>HEATER FEATURES.....</b>	<b>8</b>
<b>HEATER SPECIFICATIONS.....</b>	<b>8</b>
<b>SIZE AND CAPACITY OF PROPANE CYLINDERS REQUIRED.....</b>	<b>9</b>
<b>GENERAL SAFETY INFORMATION.....</b>	<b>10</b>
IMPORTANT SAFETY INFORMATION.....	11
PROPANE SUPPLY.....	12
MINIMUM CLEARANCES FROM COMBUSTIBLES:.....	12
ASSEMBLING THE HEATER.....	13
CONNECTING TO GAS SUPPLY.....	13
<b>ASSEMBLY.....</b>	<b>13</b>
THEORY OF OPERATION.....	15
PREPARING FOR OPERATION.....	15
LIGHTING INSTRUCTIONS (MH-0080-CM11).....	15
RELIGHTING INSTRUCTIONS.....	15
SHUT-DOWN INSTRUCTIONS.....	15
LIGHTING INSTRUCTIONS (MH-0200-CM11).....	15
<b>OPERATION.....</b>	<b>15</b>
RELIGHTING INSTRUCTIONS.....	16
SHUT-DOWN INSTRUCTIONS.....	16
VENTILATION.....	16
MAINTENANCE AND STORAGE.....	17
<b>MAINTENANCE.....</b>	<b>17</b>
<b>TROUBLESHOOTING.....</b>	<b>18</b>
<b>STATEMENT OF WARRANTY.....</b>	<b>19</b>



**NEVER LEAVE HEATER UNATTENDED WHILE BURNING OR WHILE CONNECTED TO A FUEL SOURCE.**

### **⚠ WARNING**

**⚠ WARNING:** This product can expose you to chemicals including Lead, which is known to the State of California to cause cancer and birth defects or other reproductive harm. For more information go to [www.P65Warnings.ca.gov](http://www.P65Warnings.ca.gov)

## INTRODUCTION

Congratulations on the purchase of your new Mi-T-M® Heater! You can be assured your Mi-T-M® Heater was constructed with the highest level of precision and accuracy. Each component has been rigorously tested by technicians to ensure the quality, endurance and performance of this heater.

This operator's manual was compiled for your benefit. By reading and following the simple safety, installation and operation, maintenance and troubleshooting steps described in this manual, you will receive years of troublefree operation from your new heater. The contents of this manual are based on the latest product information available at the time of publication. The Manufacturer reserves the right to make changes in price, color, materials equipment, specifications or models at any time without notice.

### **IMPORTANT!**

A "DANGER, WARNING or CAUTION" safety warning will be surrounded by a "SAFETY ALERT BOX". This box is used to designate and emphasize Safety Warnings that must be followed when operating this heater. Accompanying the safety warnings are "Signal Words" which designate the degree or level of hazard seriousness. The "Signal Words" used in this manual are as follows:

**DANGER: INDICATES AN IMMINENTLY HAZARDOUS SITUATION WHICH, IF NOT AVOIDED, WILL RESULT IN DEATH OR SERIOUS INJURY.**

**WARNING: INDICATES A POTENTIALLY HAZARDOUS SITUATION WHICH, IF NOT AVOIDED, COULD RESULT IN DEATH OR SERIOUS INJURY.**

**CAUTION: INDICATES A POTENTIALLY HAZARDOUS SITUATION WHICH, IF NOT AVOIDED MAY RESULT IN MINOR OR MODERATE INJURY OR DAMAGE TO THE HEATER.**

The symbols set below are "Safety Alert Symbols". These symbols are used to call attention to items or procedures that could be dangerous to you or other persons using this equipment.



**ALWAYS PROVIDE A COPY OF THIS MANUAL TO ANYONE USING THIS EQUIPMENT. READ ALL INSTRUCTIONS IN THIS MANUAL AND ANY INSTRUCTIONS SUPPLIED BY MANUFACTURERS OF SUPPORTING EQUIPMENT BEFORE OPERATING THE HEATER AND ESPECIALLY POINT OUT THE "SAFETY WARNINGS" TO PREVENT THE POSSIBILITY OF PERSONAL INJURY TO THE OPERATOR.**

Once the unit has been uncrated, immediately write in the serial number of your unit in the provided below.

**SERIAL NUMBER** \_\_\_\_\_

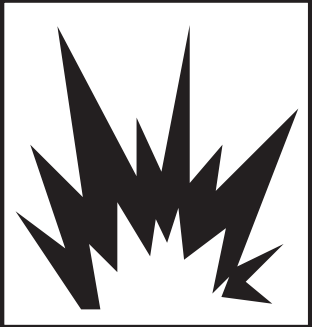


Inspect for signs of obvious or concealed freight damage. If damage does exist, file a claim with the transportation company immediately. Be sure that all damaged parts are replaced and that the mechanical and electrical problems are corrected prior to operation of the unit. If you require service, contact Mi-T-M® Customer Service.

Mi-T-M® Corporation, 50 Mi-T-M Drive, Peosta, IA 52068  
563-556-7484 / 800-553-9053 / Fax 563-556-1235  
Monday - Friday 8:00 a.m. - 5:00 p.m. CST


Please have the following information available for all service calls:

1. Model Number
2. Serial Number
3. Date and Place of Purchase

## IMPORTANT SAFETY INSTRUCTIONS


Hazard	Potential Consequence	Prevention
<p><b>RISK OF EXPLOSION OR FIRE</b></p>  	<p>Serious injury or death may occur from normal electrical sparks in motor and pressure switch</p> <p>Serious injury may occur if the heater air inlet or outlet is blocked.</p> <p>Serious injury or death may occur if improper fuels are used, if heater is running while refilling.</p> <p>Serious injury may occur if heater is not placed on level surface.</p>	<p>The appliance are to be kept clear and free from combustible materials gasoline and other flammable vapors and liquids.</p> <p>Never place objects in front of air inlet (rear) or air outlet (front) of heater. Never use duct work in front or at rear of heater. Keep all combustible material away from this heater.</p> <p>Never use fuels such as gasoline, benzene, paint thinners, or other oil compounds in this heater. This heater is <b>EXTREMELY HOT</b> while in operation.</p> <p>Never transport heater with fuel in its tank.</p> <p>Bulk fuel storage should be a minimum of 25 ft. from heaters, torches, portable generators, or other sources of ignition. All fuel storage should be in accordance with federal, state, or local authorities having jurisdiction.</p> <p>Never move or handle heater while still hot.</p> <p>If equipped with a thermostat, the heater may start at any time.</p> <p>Always locate heater on a stable and level surface</p> <p>Keep away from children and animals.</p>
<p><b>RISK OF BURNS</b></p> 	<p>Serious injury could occur from touching exposed metal parts. These areas can remain hot for some time after the heater is turned off.</p>	<p>Never allow any part of your body or other materials to make contact with any exposed metal parts on the heater.</p>

## IMPORTANT SAFETY INSTRUCTIONS

Hazard	Potential Consequence	Prevention
<p><b>RISK TO BREATHING</b></p> 	<p>Serious injury or death could occur from failure to provide proper ventilation according to this manual..</p>	<p>This is a direct-fired heater. It is primarily intended for use for temporary heating of buildings under construction, alteration or repair. Direct-fired means that all of the combustion products of the heater enter the heated space. This appliance does produce small amounts of carbon monoxide. Carbon monoxide is toxic. Humans can tolerate small amounts of carbon monoxide, and precautions should be taken to provide proper ventilation..</p> <p>Early signs of carbon monoxide poisoning resemble the flu. Symptoms of improper ventilation are: * headache * dizziness * burning of the nose and eyes * nausea * dry mouth * sore throat</p> <p>Use this heater only in well ventilated areas! Provide at least a three square foot (2,800 sq cm) opening of outside air for every 100,000 BTU/hr of heater rating.</p> <p>People with breathing problems should consult a physician before using the heater.</p> <p>Carbon Monoxide Poisoning: Early signs of carbon monoxide poisoning resemble flu-like symptoms such as headaches, dizziness, and/or nausea. If you have these symptoms, your heater may not be working properly.</p> <p>Get fresh air at once! Have the heater serviced. Some people are more affected by carbon monoxide than others. These include pregnant women, those with heart or lung problems, anemia, or those under the influence of alcohol, or at high altitudes.</p> <p>Never use this heater in living or sleeping areas.</p>

 **NEVER LEAVE HEATER UNATTENDED WHILE BURNING OR WHILE CONNECTED TO A FUEL SOURCE.**

## IMPORTANT SAFETY INSTRUCTIONS

 **FIRE, BURN, INHALATION, AND EXPLOSION HAZARD. KEEP COMBUSTIBLES, SUCH AS BUILDING MATERIALS, PAPER OR CARDBOARD, A SAFE DISTANCE AWAY FROM THE HEATER AS RECOMMENDED BY THESE INSTRUCTIONS. NEVER USE THE HEATER IN SPACES WHICH CONTAIN PRODUCTS SUCH AS GASOLINE, SOLVENTS, PAINT THINNERS, DUST PARTICLES, VOLATILE OR AIRBORNE COMBUSTIBLES, OR ANY UNKNOWN CHEMICALS. THIS IS AN UNVENTED PORTABLE HEATER. IT USES AIR (OXYGEN) FROM THE AREA IN WHICH IT IS USED. ADEQUATE COMBUSTION AND VENTILATION AIR MUST BE PROVIDED. REFER TO VENTILATION.**

 **WARNING: IF THE INFORMATION IN THIS MANUAL IS NOT FOLLOWED EXACTLY, A FIRE OR EXPLOSION MAY RESULT CAUSING PROPERTY DAMAGE, PERSONAL INJURY OR LOSS OF LIFE.**

**DO NOT STORE OR USE GASOLINE OR OTHER FLAMMABLE VAPORS AND LIQUIDS IN THE VICINITY OF THIS OR ANY OTHER APPLIANCE.**

**AN LP CYLINDER NOT CONNECTED FOR USE SHALL NOT BE STORED IN THE VICINITY OF THIS OR ANY OTHER APPLIANCE.**

### WHAT TO DO IF THE SMELL OF GAS IS PRESENT:

**DO NOT attempt to light heater**

**Extinguish any open flame**

**Shut off gas to heater**


**If odor continues, contact your local gas supplier or fire department.**

**Do not touch any electric switch, do not use any phone in your building**

**Immediately call your gas supplier from a neighbors phone. Follow the gas suppliers instructions**

**If you can not reach your gas supplier, call the fire department**

**Service must be done by a qualified service agency or the gas supplier.**

 **CALIFORNIA RESIDENTS: COMBUSTION BY-PRODUCTS PRODUCED WHEN USING THIS PRODUCT CONTAIN CARBON MONOXIDE, A CHEMICAL KNOWN TO THE STATE OF CALIFORNIA TO CAUSE CANCER AND BIRTH DEFECTS (OR OTHER REPRODUCTIVE HARM). DO NOT OPERATE THIS HEATER UNTIL YOU HAVE READ, AND THOROUGHLY UNDERSTAND THESE SAFETY AND OPERATING INSTRUCTION. FAILURE TO COMPLY WITH THE PRECAUTIONS AND INSTRUCTIONS PROVIDED WITH THIS HEATER CAN RESULT IN DEATH, SERIOUS BODILY INJURY, PROPERTY LOSS OR DAMAGE FROM THE HAZARDS OF FIRE, EXPLOSION, BURNS, ASPHYXIATION OR CARBON MONOXIDE POISONING. ONLY PERSONS WHO CAN READ AND UNDERSTAND THESE INSTRUCTIONS SHOULD USE OR SERVICE THIS HEATER.**

 **! SAVE THESE INSTRUCTIONS !** 

 **NEVER LEAVE HEATER UNATTENDED WHILE BURNING OR WHILE CONNECTED TO A FUEL SOURCE.**



**THE FOLLOWING PAGES CONTAIN OPERATING AND  
MAINTENANCE INSTRUCTIONS.**

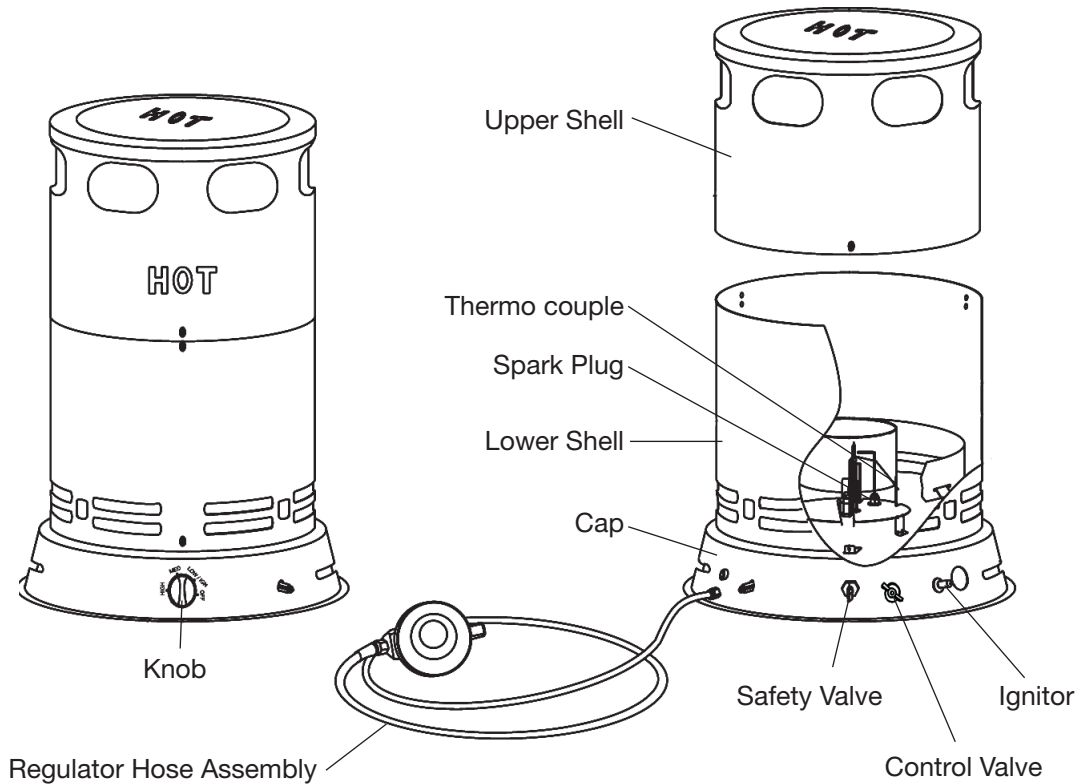
**DO NOT ATTEMPT TO OPERATE THIS HEATER UNTIL YOU  
HAVE READ AND UNDERSTOOD ALL SAFETY PRECAUTIONS  
AND INSTRUCTIONS LISTED IN THIS MANUAL.**

**INCORRECT OPERATION OF THIS UNIT CAN CAUSE SERIOUS  
INJURY!!**

**DO NOT ALTER OR MODIFY THIS EQUIPMENT  
IN ANY MANNER!**

**NEVER LEAVE HEATER UNATTENDED WHILE BURNING OR  
WHILE CONNECTED TO A FUEL SOURCE.**

## HEATER FEATURES



## HEATER SPECIFICATIONS

Model	MH-0080-CM11	MH-0200-CM11
Rating BTU/Hr	30,000-80,000	75,000-200,000
Fuel Consumption Lbs/Hr	1.4 to 3.7	3.5 to 9.25
Supply Pressure	5 PSI	15 PSI
Manifold Pressure	11" W.C.	276.8" W.C.
Spark Gap	3-5 mm	3-5 mm
Size (L x W x H)	17.4" x 17.4" x 21.8"	17.4" x 17.4" x 27.4"
Net Weight (Lbs)	13.1	15.0
Fuel Type	Propane	
Required cylinder	See Chart on Next Page	

**⚠ NEVER LEAVE HEATER UNATTENDED WHILE BURNING OR WHILE CONNECTED TO A FUEL SOURCE.**

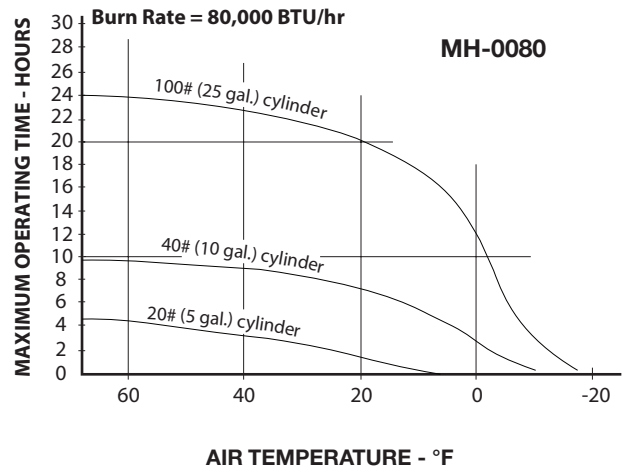
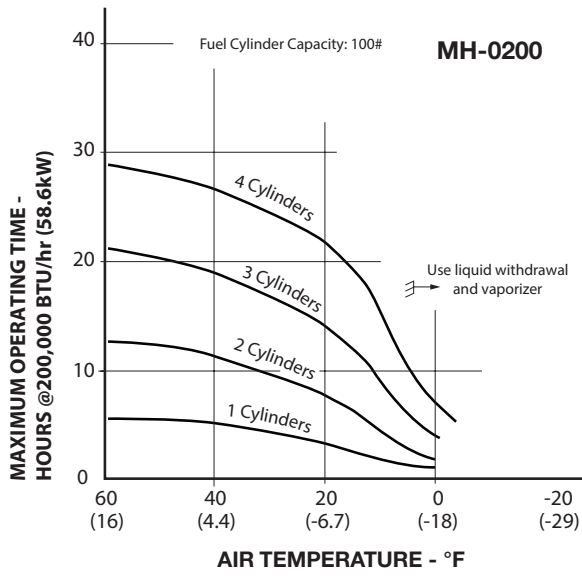


## SIZE AND CAPACITY OF PROPANE CYLINDERS REQUIRED

The following charts show the approximate size of the cylinder required for these heaters. To use the chart:

1. Select the lowest air temperature expected (at the bottom of the chart).
2. Move straight up to time of operation desired (left side of chart).
3. Read the cylinder size required.

All heaters should have: Full cylinders good air circulation no frost on cylinders



## GENERAL SAFETY INFORMATION

**⚠ WARNING: IMPROPER USE OF THIS HEATER CAN RESULT IN SERIOUS INJURY OR DEATH FROM BURNS, FIRE, EXPLOSION, ELECTRICAL SHOCK AND /OR CARBON MONOXIDE POISONING.**

This heater is designed and approved for use as a construction heater in accordance with the standard for Gas-Fired Construction Heaters ANS Z83.7 \* CSA 2.14-2017. CHECK WITH YOUR LOCAL FIRE SAFETY AUTHORITY IF YOU HAVE ANY QUESTIONS ABOUT APPLICATIONS. Other standards govern the use of fuel gasses and heating products for specific uses. Your local authority can advise you about these.

**⚠ WARNING: NOT FOR USE WITH DUCTWORK.**

**⚠ WARNING: NOT FOR HOME OR RECREATIONAL VEHICLE USE. THE HOSE ASSEMBLY SHALL BE PROTECTED FROM TRAFFIC, BUILDING MATERIAL AND CONTACT WITH HOT SURFACES BOTH DURING USE AND WHILE IN STORAGE.**

**IMPORTANT:** Read this User's Manual carefully and completely before attempting to operate or service this heater. Improper use of the heater can cause serious injury or death from fire, explosion and carbon monoxide poisoning.

Every possible circumstance that may involve a hazard cannot be anticipated. The warnings in this manual and attached to the unit are therefore not all-inclusive. If a procedure, work method or operating technique not specifically recommended by the manufacturer is used, you must be sure it is safe for you and others. You should also insure that equipment will not be damaged or made unsafe by the operating or maintenance method you choose. CHECK WITH YOUR LOCAL FIRE SAFETY AUTHORITY IF YOU HAVE ANY QUESTIONS ABOUT APPLICATIONS. This heater is designed and approved for use as a gas fired construction heater under ANS Z83.7\*CSA.14-2017.

Other standards govern the use of fuel gases and heat producing products in specific applications. Your local authority can advise you of these.

You must provide the propane gas and cylinder(s). Use this heater only with a propane vapor withdrawal supply system. Refer to Chapter 5 of the Standard for Storage and Handling of Liquefied Petroleum Gas , ANSI/NFPA 58. Your local library or fire department will have this booklet.

**⚠ WARNING: AIR QUALITY HAZARD**

- Do not use this heater for heating human living quarters
- Use of direct-fired heaters in the construction environment can result in exposure to levels of CO, CO<sub>2</sub>, and NO<sub>2</sub> considered to be hazardous to health and potentially life threatening
- Do not use in unventilated areas
- Know the signs of CO and CO<sub>2</sub> poisoning • Headaches, stinging eyes • Dizziness, disorientation • Difficulty breathing, feels of being suffocated
- Proper ventilation air exchange (OSHA 29 CFR 1926.57) to support combustions and maintain acceptable air quality shall be provided in accordance with OSHA 29 CFR Part 1926.154, ANSI A10.10 Safety Requirements for Temporary and Portable Space Heating Devices and Equipment used in the Construction Industry or the Natural Gas and Propane Installation Codes CSA B149.1
- Periodically monitor levels of CO, CO<sub>2</sub> and NO<sub>2</sub> existing at the construction site – at the minimum at the start of the shift and after 4 hours.
- Provide ventilation air exchange, either natural or mechanical, as required to maintain acceptable indoor air quality
- Ensure that the flow of combustion and ventilation air exchanges cannot become obstructed
- As the building “tightens up” during the construction phase ventilation may need to be increased

USA 8-Hr Time weighted average (OSHA 29 CFR 1926.55 App A)

CO	50 ppm
CO <sub>2</sub>	5000 ppm
NO <sub>2</sub>	

**⚠ NEVER LEAVE HEATER UNATTENDED WHILE BURNING OR WHILE CONNECTED TO A FUEL SOURCE.**

## GENERAL SAFETY INFORMATION

USA – Ceiling Limit (Short Term Exposure Limit = 15 minutes)

CO	
CO <sub>2</sub>	
NO <sub>2</sub>	5 ppm

Canada 8-hr time weighted average WorkSafe BC OHS Guidelines Part 5.1 and Ontario Work-places Reg 833

CO	25 ppm
CO <sub>2</sub>	5000 ppm
NO <sub>2</sub>	3 ppm (Reg 833)

Canada STEL (15 minutes Reg 833/1 hour WSBC) WorkSafe BC OHS Guidelines Part 5.1 and Ontario Work-places Reg 833

CO	100 ppm
CO <sub>2</sub>	15,000 ppm (WSCB) 30,000 ppm (Reg 833)
NO <sub>2</sub>	1.0 ppm (WorkSafeBC) 5.0 ppm (Reg 833)

*Note: Installation of this appliance at altitudes above 2000 ft (610 m) shall be in accordance with local codes, or in the absence of local codes, the National Fuel Gas Code, ANSI Z223.1/NFPA 54, or National Standard of Canada, Natural Gas and Propane Installation Code, CSA B149.1.*

### IMPORTANT SAFETY INFORMATION

1. Check the heater thoroughly for damage before each use. DO NOT operate a damaged heater.
2. DO NOT modify this heater or operate a heater that has been modified from it's original state.
3. For outdoor use, and indoor use only in well ventilated areas. For this heater, consult Ventilation on Page 13 of this manual. For additional heaters, provide more ventilation.
4. Provide at least 3 square feet of opening for ventilation per 100,000 BTU of rated operation.
5. NEVER use heater in occupied dwellings.
6. NEVER use heater in a tent.
7. Operate heater in a manner that will not directly expose it to water, rain or dripping water.
8. Keep heater area free from combustible materials such as gasoline, paint thinners and other flammable vapors and liquids. Dust is combustible. Do not use heater in areas of high dust concentration prior to each use of the heater.
9. The hose assembly shall be visually inspected prior to each use of the heater. If it is evident there is excessive abrasion or wear, or the hose is cut, it shall be replaced prior to the heater being put into operation. The replacement hose assembly shall be that specified by the manufacturer.
10. Operate only on level and stable surfaces.
11. NEVER leave heater unattended.
12. Keep children and animals away from heater.
13. Never operate heater while unattended or sleeping.
14. Before connecting the heater to the propane cylinder, make sure that the heater regulator knob is in the OFF position.
15. NEVER handle an operating or hot heater, as severe burns may result. All exposed surfaces may become very hot during operation. Always allow at least 15 minutes of cooling time before handling the heater.
16. Always disconnect and remove the heater from the cylinder after use.
17. Locate LP cylinder at least 7 feet from the heater and do not discharge the heater towards any LP cylinder.



**NEVER LEAVE HEATER UNATTENDED WHILE BURNING OR WHILE CONNECTED TO A FUEL SOURCE.**

## GENERAL SAFETY INFORMATION

### PROPANE SUPPLY

The chart on this page, shows the minimum number of 100 lb. cylinders required in cold weather. Your local LP dealer will help you select the proper supply system. The amount of LP gas used by this heater varies. The two factors that will determine this are as follows:

Average Temp. (°F)	MH-0080-CM11 100 lb cylinder	MH-0200-CM11 100 lb. cylinder
32°	1	2
20°	1	2
10°	2	3
0°	2	3
-10°	2	3
-20°	2	3

The amount of gas in the tank.

The temperature of the cylinder and surrounding area.

**⚠ WARNING: EXTREMELY HOT DURING OPERATION. DO NOT TOUCH ANY METAL COMPONENTS WHILE IN OPERATION. KEEP GASOLINE AND ANY OTHER FLAMMABLE LIQUIDS AWAY FROM HEATER.**

**⚠ WARNING: BE SURE TO READ AND UNDERSTAND ALL OF THE SAFETY INFORMATION IN THIS MANUAL BEFORE LIGHTING THIS HEATER.**

**⚠ CAUTION: HEATER HAS HIGH SURFACE TEMPERATURES. BE SURE TO KEEP CHILDREN, PETS AND CLOTHING AWAY FROM THE HEATER. BE SURE TO KEEP BURNER AND HEATER REGULATOR CLEAN AND FREE FROM ANY DEBRIS. MAINTAIN SAFE DISTANCES FROM HEATER AS SHOWN.**

You must provide the propane gas and cylinder(s). Use this heater only with a propane vapor withdrawal supply system. Refer to Chapter 5 of the Standard for Storage and Handling of Liquefied Petroleum Gas, ANSI/NFPA 58. Your local library or fire department will have this booklet.

LP Characteristics - Flammable, explosive under pressure, heavier than air, and pools in low areas.

In its natural state, propane has no odor, but for your safety an odorant that smells like rotten cabbage has been added.

Contact of LP gas with the skin can cause freeze burns.

Heater is manufactured for use with LP gas only. DO NOT attempt to convert to any other gas. Such modifications are dangerous, and will void warranty.

When heater is not in use, LP supply must be turned OFF.

Be sure that the propane cylinder is located on a level and stable surface.

Do not use this heater in a basement or below ground level. Propane is heavier than air, and will always seek the lowest level. If you suspect a leak, shut off the valve at the propane cylinder immediately. Do not use a flame to check for leaks! Use a 50/50 solution of dish soap and water to check for leaks. Repair any leaks before attempting to re-light the heater.

Check the "O" ring on the heater inlet fuel connector for damage before each use. Replace if damaged or worn.

#### MINIMUM CLEARANCES FROM COMBUSTIBLES:

	MH-0080-CM11	MH-0200-CM11
Top	6 feet	8 feet
Sides	4 feet	4 feet

**⚠ NEVER LEAVE HEATER UNATTENDED WHILE BURNING OR WHILE CONNECTED TO A FUEL SOURCE.**

## ASSEMBLY

### ASSEMBLING THE HEATER

1. Remove heater from packaging. To protect your hands, put on gloves before lifting the outer shell. Never grasp bare metal without gloves. (See Figure 1)
2. Lift outer shell straight up. Care must be taken to protect hands during lift. (See Figure 2)

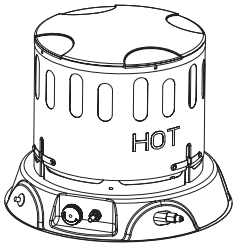


Figure 1

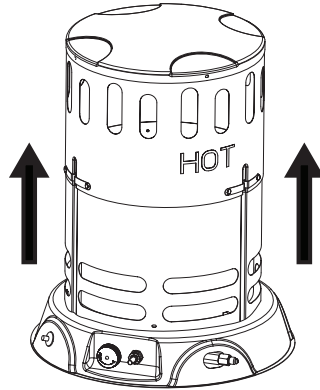


Figure 2

3. Lift outer shell until all three clips engage slots located in the lower shell. When this happens, the screw holes will line up. (See Figure 3)
4. Lock the clip into place with 3 screws as shown. The heater must not be operated unless the outer shell is properly extended and fully locked into place. (See Figure 4)

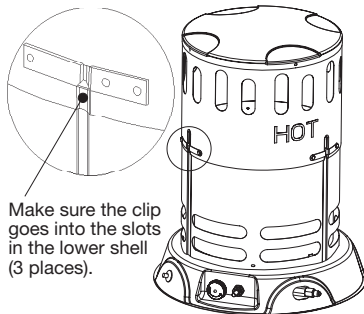


Figure 3

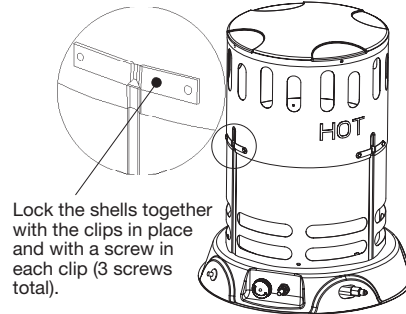


Figure 4

**⚠ WARNING: NEVER ATTEMPT TO LIGHT A HEATER UNTIL IT IS FULLY ASSEMBLED.**

### CONNECTING TO GAS SUPPLY

**IMPORTANT!** Always use a propane cylinder that has a connection device that is compatible with the hose and regulator assembly supplied.

1. To connect hose and regulator assembly, rotate fitting on hose/regulator **COUNTERCLOCKWISE** into threads on tank valve (see Figure 5 and 6). Be sure to tighten firmly.

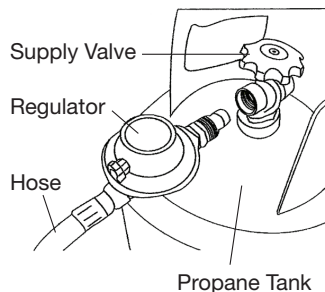


Figure 5

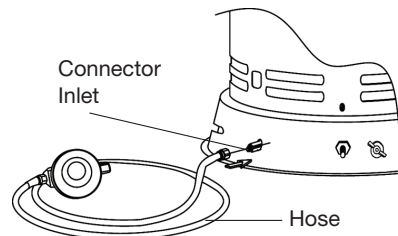


Figure 6

**⚠ NEVER LEAVE HEATER UNATTENDED WHILE BURNING OR WHILE CONNECTED TO A FUEL SOURCE.**

## ASSEMBLY

*Important: Be sure to position the regulator so that the regulator is horizontal, also as shown .*

2. To connect to heater inlet, rotate clockwise and tighten firmly with a wrench.
3. Check all connections for leaks, using a 50/50 solution of dishsoap and water. Bubbles at the connections show a leak. Correct all leaks before lighting heater. NEVER USE AN OPEN FLAME TO CHECK FOR LEAKS.



**NEVER LEAVE HEATER UNATTENDED WHILE BURNING OR WHILE CONNECTED TO A FUEL SOURCE.**

# OPERATION

## THEORY OF OPERATION

**Fuel Supply System** Fuel is supplied under pressure from the fuel cylinder to the heater by the hose/regulator assembly. The regulator maintains a constant flow of fuel to the heater.

**System of Ignition** As the fuel is sprayed into the combustion chamber, through a supply nozzle, the Piezo ignitor ignites the fine mixture of fuel and air.

**Automatic Control System** If the flame should extinguish, the Automatic Control Valve shuts down the heater.

 **WARNING: REVIEW AND UNDERSTAND ALL OF THE WARNINGS IN THE SAFETY INFORMATION SECTION OF THIS MANUAL.**

 **WARNING: DUE TO VERY HIGH SURFACE TEMPERATURES, IT IS IMPORTANT TO KEEP CHILDREN, FURNITURE AND CLOTHING AWAY FROM THE HEATER. KEEP CONTROL AND BURNER AREA FREE FROM DIRT AND DEBRIS.**

 **WARNING: EXTREMELY HOT WHILE IN OPERATION. DO NOT TOUCH HEATER WHILE OPERATING. KEEP CHILDREN, FURNITURE, CLOTHING, GASOLINE AND OTHER FLAMMABLE LIQUIDS AND VAPORS AWAY FROM HEATER.**

*NOTE: Once the gas connection has been made, air may be trapped in the gas line. Before lighting the heater it will be necessary to purge any air trapped in the line. Once this is done the heater will light and operate normally. Purging the gas line will be necessary every time the gas cylinder is replaced.*

## PREPARING FOR OPERATION

1. Check the heater for possible shipping damage. If any is found, immediately notify your local dealer.
2. Follow all Safety Information in this manual.

## LIGHTING INSTRUCTIONS (MH-0080-CM11)

1. Stop! Read all of the Safety Information provided with this heater
2. Turn valve on propane cylinder counterclockwise until fully open
3. Press in Control Knob and turn counterclockwise to LOW/IGN position
4. If burner does not ignite, turn Control Knob to OFF position and repeat the ignition procedure
5. Keep Control Knob pressed in for approximately 15 seconds before releasing.
6. If the flame goes out, wait 5 minutes, and repeat the ignition and lighting steps
7. After heater ignites, turn Control Knob to desired heat setting.

## RELIGHTING INSTRUCTIONS

1. Rotate valve on cylinder clockwise to close it, and wait five (5) minutes.
2. Relight following the LIGHTING INSTRUCTIONS.

## SHUT-DOWN INSTRUCTIONS

1. Securely close valve at propane cylinder.
2. Wait 5 minutes.
3. Restart following "Start" procedure for your model.

## LIGHTING INSTRUCTIONS (MH-0200-CM11)

 **WARNING: BEFORE LIGHTING HEATER, TURN MAIN BURNER VALVE TO LIGHT POSITION. READ SAFETY WARNING: INFORMATION BEFORE STARTING THE HEATER.**

1. Fully open the valve on the propane tank, then wait 15 seconds before Step 2.

 **NEVER LEAVE HEATER UNATTENDED WHILE BURNING OR WHILE CONNECTED TO A FUEL SOURCE.**

## OPERATION

2. Depress the red button on the safety shut-off valve, admitting gas to the burner. Then push and release the ignition button until the burner lights.
3. When the burner lights, continue to keep the red button depressed for 30 seconds, then release.
4. If burner goes out, wait 5 minutes and repeat lighting procedure.
5. When burner lights, open burner valve to ON position, to operate heater. Partially close valve to regulate heat output.

*Note: Adjusting burn rate too low can cause soot. Watch for and avoid a yellow flame.*

## RELIGHTING INSTRUCTIONS

1. Rotate valve on cylinder clockwise to close it, and wait five (5) minutes.
2. Relight following the LIGHTING INSTRUCTIONS.

## SHUT-DOWN INSTRUCTIONS

1. Securely close valve at propane cylinder.
2. Wait 5 minutes.
3. Restart following "Start" procedure for your model.



**WARNING: NEVER ATTEMPT TO SERVICE THIS HEATER WHILE IT IS STILL OPERATING, OR HOT OR CONNECTED TO THE GAS SUPPLY. SEVERE BURNS CAN RESULT.**

## VENTILATION

For these heaters, provide a minimum of 2.5 square feet of space for the MH-0080-CM11, or a minimum of 6 square feet of space for the MH-0200-CM11 by opening a window or door to provide fresh, outside air. Provide at least 3 square feet of opening for ventilation per 50,000 BTU of rated operation.



**NEVER LEAVE HEATER UNATTENDED WHILE BURNING OR WHILE CONNECTED TO A FUEL SOURCE.**



## MAINTENANCE

### MAINTENANCE AND STORAGE

Inspect your heater before each use. Check all connections for leaks, following the procedure outlined in this manual. Check the Regulator Hose for any cracks, breaks or wear. If the hose is damaged replace it with the correct manufacturers part.

After use, always disconnect the heater from the cylinder, and store the heater separately from the tank. Be sure to close the tank valve after use, and before storage.

Always store the propane cylinder outdoors, but not in an enclosed area. Never store the cylinder near high heat, direct sunlight or open flames. Never store the cylinder indoors. The cylinder should be stored outdoors in accordance with chapter 5 of the Standard for Storage and Handling of Liquefied Petroleum Gasses (ANSI/INFP 58).

Always keep your heater clean, inside and out.

Have heater inspected annually by a qualified service technician.

Place the plastic covers over the fittings the heater was supplied with when putting heater away for the season.

Always store the heater in a clean, dry and safe place.



**NEVER LEAVE HEATER UNATTENDED WHILE BURNING OR WHILE CONNECTED TO A FUEL SOURCE.**

## TROUBLESHOOTING

### SYMPTOM

---

Burner fails to ignite

### PROBABLE CAUSE

---

1. Valve on supply cylinder closed
2. Cylinder excess flow check valve closed
3. Burner nozzle blockage
4. Ignition system not sparking

### REMEDY

---

1. Open cylinder valve
2. Close cylinder valve, wait one minute, and re-open slowly
3. Replace Burner Nozzle
4. Inspect igniter wires for damage, be sure spark gap is .195"

---

Heater will not fire (ignite)

- 
1. Not enough time for thermocouple to warm up
  2. Gas pressure too low
  3. Thermocouple needs replacing, or loose
  4. Control valve damaged

- 
1. Keep Control Valve depressed for at least 45 seconds
  2. Check cylinders for adequate gas
  3. Replace or tighten thermocouple connection
  4. Replace Control Valve

---

Heater stops running by itself

- 
1. Cylinder valve not fully open
  2. Clogged burner orifice
  3. Gas pressure too low
  4. Fuel supply too low

- 
1. Be sure cylinder valve is fully opened
  2. Replace burner
  3. Be sure regulator is operating properly
  4. Replace low fuel supply with new, full cylinder

 **NEVER LEAVE HEATER UNATTENDED WHILE BURNING OR WHILE CONNECTED TO A FUEL SOURCE.**



## STATEMENT OF WARRANTY

Mi-T-M warrants this heater to the original retail purchaser only, to be free from defects in material and workmanship for a period of

one (1) year from the date of initial purchase.

This product must be properly installed, maintained and operated in accordance with the instructions provided. Mi-T-M requires reasonable proof of your date of purchase from an authorized retailer or distributor. Therefore, you should keep your sales slip, invoice, or cancelled check from the original purchase.

### EXCLUSIONS

1. This Limited Warranty shall be limited to the repair or replacement of parts, which prove defective Mi-T-M shall determine at its reasonable discretion. This warranty does not include wear items: filters, vanes, nozzles, and rotors.
2. This Limited Warranty does not cover any failures or operating difficulties due to normal wear and tear, accident, abuse, misuse, alteration, misapplication, improper installation or improper maintenance and service by you or any third party. Failure to perform normal and routine maintenance on the heater, shipping damage, damage related to insects, birds, or animals of any kind, and damage due to weather conditions are also not covered.
3. In addition, the Limited Warranty does not cover damage to the finish, such as scratches, dents, discoloration, rust or other weather damage, after purchase.

All transportation costs for the return of the damaged product or parts will be the responsibility of the purchaser. Upon receipt of damaged item, Mi-T-M will examine the item and determine if defective. Mi-T-M will repair or replace and return the item, freight pre-paid. If Mi-T-M finds the item to be in normal operating condition, or not defective, the item will be returned freight collect.

This Limited Warranty is in lieu of all other express warranties. Mi-T-M disclaims all warranties for products that are purchased from sellers other than authorized retailers or distributors.

AFTER THE PERIOD OF THE ONE (1) YEAR EXPRESS WARRANTY EXPIRES, MI-T-M DISCLAIMS ANY AND ALL IMPLIED WARRANTIES, INCLUDING WITHOUT LIMITATION THE IMPLIED WARRANTIES OF MERCHANTABILITY AND FITNESS FOR A PARTICULAR APPLICATION. FURTHER, MI-T-M SHALL HAVE NO LIABILITY WHATSOEVER TO PURCHASER OR ANY THIRD PARTY FOR ANY SPECIAL, INDIRECT, PUNITIVE, INCIDENTAL, OR CONSEQUENTIAL DAMAGES.

Mi-T-M assumes no responsibility for any defects caused by third parties. This Limited Warranty gives the purchaser specific legal rights; a purchaser may have other rights depending upon where he or she lives. Some states do not allow the exclusion or limitation of special, incidental or consequential damages, or limitations on how long a warranty lasts, so the above exclusion and limitations may not apply to you. Mi-T-M does not authorize any person or company to assume for it any other obligation or liability in connection with the sale, installation, use, removal, return, or replacement of its equipment, and no such representations are binding on Mi-T-M. Always be sure to specify model number and serial number when making any claim with Mi-T-M.

For Service or Warranty Consideration, contact  
Mi-T-M® Corporation, 50 Mi-T-M Drive, Peosta, IA 52068  
563-556-7484 / 800-553-9053 / Fax 563-556-1235  
Monday - Friday 8:00 a.m. - 5:00 p.m. CST


## TABLE OF CONTENTS

<b>IMPORTANTES CONSIGNES DE SECURITE</b> .....	<b>22</b>
<b>IDENTIFICATION DU PRODUIT</b> .....	<b>26</b>
<b>SPÉCIFICATIONS</b> .....	<b>26</b>
<b>TAMAÑO Y CAPACIDAD DE LOS CILINDROS DE PROPANO REQUERIDOS</b> .....	<b>27</b>
<b>CONSIGNES GÉNÉRALES DE SÉCURITÉ</b> .....	<b>28</b>
IMPORTANTES CONSIGNES DE SECURITE.....	29
ALIMENTATION EN GAZ PROPANE.....	30
DISTANCE MINIMUM DES COMBUSTIBLES.....	31
ASSEMBLAGE DU RADIATEUR.....	32
RACCORDEMENT À UNE ALIMENTATION EN GAZ.....	32
<b>ASSEMBLAGE</b> .....	<b>32</b>
PRÉPARATION À L'UTILISATION.....	34
INSTRUCTIONS POUR L'ALLUMAGE - (MH-0080-CM11).....	34
INSTRUCTIONS POUR LE RALLUMAGE.....	34
INSTRUCTIONS D'ARRÊT.....	34
<b>FONCTIONNEMENT</b> .....	<b>34</b>
INSTRUCTIONS POUR L'ALLUMAGE (MH-0200-CM11).....	35
PRÉPARATION À L'UTILISATION.....	35
INSTRUCTIONS POUR LE RALLUMAGE.....	35
INSTRUCTIONS D'ARRÊT.....	35
VENTILATION.....	35
ENTRETIEN ET ENTREPOSAGE.....	36
<b>ENTRETIEN</b> .....	<b>36</b>
<b>DÉPANNAGE</b> .....	<b>37</b>
<b>GARANTIE</b> .....	<b>38</b>



**PRECAUTION: LE CONSOMMATEUR LIT ET CONSERVE CES INSTRUCTIONS POUR UNE UTILISATION FUTURE.**

### **AVERTISSEMENT**

 **AVERTISSEMENT:** Ce produit peut vous exposer à des produits chimiques, tel que le plomb, qui est reconnu par l'état de la Californie comme étant une cause de cancer, d'anomalies congénitales et d'autres problèmes liés à la reproduction. Pour plus de renseignements, aller à [www.P65Warnings.ca.gov](http://www.P65Warnings.ca.gov)

## INTRODUCTION

Félicitations de l'achat de votre nouveau le radiateur! Vous pouvez être assuré que votre nouveau le radiateur a été construit avec le plus haut niveau de précision et de fiabilité. Chaque composant a été rigoureusement testé par des techniciens pour assurer la qualité, la durabilité et la performance de le radiateur.

Ce manuel opérateur a été dressé pour que vous en retiriez le meilleur parti. Par la lecture et l'application des mesures simples de sécurité, d'installation et d'opération, d'entretien et de dépannage décrites dans ce manuel, votre nouveau le radiateur fonctionnera sans faille pendant de nombreuses années. Le contenu de ce manuel est basé sur la dernière information disponible du produit au moment de la publication. Mi-T-M® se réserve le droit d'effectuer des changements de prix, de couleur, de matériaux, d'équipement, de caractéristiques ou de modèles à tout moment sans communication préalable.



### IMPORTANT!

Les avertissements de sécurité "DANGER, AVERTISSEMENT ou ATTENTION" seront entourés par un "ENCADRE ALERTE SECURITE". Cet encadré est utilisé pour indiquer et souligner les avertissements de sécurité qui doivent être suivis en actionnant ce compresseur d'air. En plus des avertissements de sécurité, des "mots d'alerte" sont utilisés pour indiquer le degré ou niveau de risque. Les "mots d'alerte" utilisés dans ce manuel sont comme suit:

**DANGER: INDIQUE UNE SITUATION AU DANGER IMMINENT QUI, SI ELLE N'EST PAS ÉVITÉE, ENTRAÎNERA LA MORT OU DES BLESSURES GRAVES.**

**AVERTISSEMENT: INDIQUE UNE SITUATION POTENTIELLEMENT DANGEREUSE QUI, SI ELLE N'EST PAS ÉVITÉE, POURRAIT ENTRAÎNER LA MORT OU DES BLESSURES GRAVES.**

**ATTENTION: INDIQUE UNE SITUATION POTENTIELLEMENT DANGEREUSE, QUI, SI ELLE N'EST PAS ÉVITÉE, PEUT ENTRAÎNER DES BLESSURES MINEURES OU PEU GRAVES ET DES DÉGATS AU COMPRESSEUR.**



Les symboles placés à gauche de ce paragraphe sont des "symboles d'alerte de sécurité". Ces symboles sont utilisés pour souligner les points ou les procédures qui pourraient être dangereuses pour vous ou tout autre personne utilisant cet équipement.

Fournissez toujours une copie de ce manuel à toute personne utilisant cet équipement. Lisez toutes les instructions dans ce manuel et toutes instructions fournies par les fabricants d'équipement de support avant d'utiliser ce compresseur d'air et attirer spécialement l'attention aux "Avertissements de Sécurité" pour éviter la possibilité de blessures pour l'utilisateur.

Une fois l'appareil déballé, écrivez immédiatement le numéro de série de votre appareil dans l'espace ci-dessous.

**NUMERO DE SERIE** \_\_\_\_\_

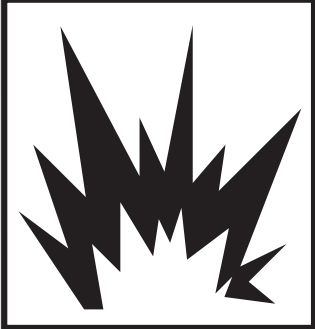


Assurez-vous qu'il n'y a pas de signes de dommages évidents ou cachés suite au transport. En cas de dommage, remplissez immédiatement une réclamation avec la compagnie de transport. Assurez-vous que toutes les pièces endommagées sont remplacées et les problèmes mécaniques et électriques corrigés avant l'utilisation de l'appareil. Si vous avez besoin d'assistance, entrez en contact avec votre service clientèle.

Mi-T-M® Corporation, 50 Mi-T-M Drive, Peosta, IA 52068  
563-556-7484 / 800-553-9053 / Fax 563-556-1235  
du lundi au vendredi de 8h00 à 17h, CST (heure centrale)


Veuillez avoir les informations suivantes disponibles pour toute intervention:

1. Numéro de modèle
2. Numéro de série
3. Date et lieu d'achat


## IMPORTANTES CONSIGNES DE SECURITE

Hazard	Potential Consequence	Prevention
<p><b>RISQUE D'EXPLOSION OU D'INCENDIE</b></p> <div style="text-align: center;">     </div>	<p>Des étincelles électriques dans le moteur et l'interrupteur de pression peuvent être la cause de blessures graves ou la mort</p> <p>Des blessures graves peuvent survenir si la prise ou la sortie d'air du chauffage est obstruée</p> <p>Des blessures graves, voire la mort, peuvent survenir si le bon carburant n'est pas utilisé ou si le chauffage fonctionne durant le ravitaillement.</p> <p>Des blessures graves peuvent survenir si le chauffage n'est pas placé sur une surface plane et s'il n'est pas maintenu à l'écart des enfants et des animaux.</p>	<p>L'appareil doit être maintenu propre et exempt de matériaux combustibles, essence et autres vapeurs et liquides inflammables.</p> <p>Ne jamais placer d'objets devant la prise d'air (à l'arrière) ou la sortie d'air (à l'avant). N'utiliser jamais de système de canalisation d'air à l'avant ou à l'arrière du chauffage. Eloigner du chauffage toutes les matières combustibles.</p> <p>Ne jamais utiliser de carburants tels que l'essence, le benzène, les diluants de peinture ou autres composés d'huile dans ce chauffage. Ce chauffage est extrêmement CHAUD lors de son fonctionnement.</p> <p>Ne jamais transporter le chauffage avec du carburant dans son réservoir.</p> <p>L'entreposage de carburant en gros doit être maintenu à une distance d'un minimum de 25 pieds (7m60) des chauffages, torches, groupes électrogènes portables ou toutes autres sources d'inflammation. Tout entreposage de carburant doit être conforme aux réglementations des autorités locales, d'état ou fédérale ayant juridiction.</p> <p>Ne jamais déplacer ou manipuler le chauffage lorsqu'il est encore chaud.</p> <p>Le chauffage peut démarrer à tout moment s'il est équipé d'un thermostat.</p> <p>Toujours placer le chauffage sur une surface stable et plane à l'écart des enfants et des animaux.</p>
<p><b>RISQUE DE BRULURES</b></p> <div style="text-align: center;">  </div>	<p>Le fait de toucher les surfaces de métal exposées peut causer de graves blessure. Ces surfaces peuvent rester chaudes pendant un certain temps après l'arrêt du chauffage.</p>	<p>Ne jamais laisser aucune partie de votre corps ou autres matériaux entrer en contact avec les surfaces de métal exposées de votre chauffage.</p>

## IMPORTANTES CONSIGNES DE SECURITE

Hazard	Potential Consequence	Prevention
<p style="text-align: center;"><b>RISQUE DE PROBLEME RESPIRATOIRE</b></p> 	<p>Des blessures graves, voire la mort peuvent survenir si une bonne ventilation n'est pas fournie selon les consignes de ce manuel.</p>	<p>Voici un radiateur de type direct. Le type direct signifie que tous les produits de combustion entrent dans l'espace chauffé. Ce radiateur a un taux d'efficacité de combustion de 98 %, mais produit tout de même de faibles quantités de monoxyde de carbone. Le monoxyde de carbone est toxique. Les êtres humains peuvent tolérer de petites quantités de monoxyde de carbone, des précautions doivent donc être prises pour assurer une ventilation adéquate.</p> <p>Une ventilation inadéquate, en violation des consignes figurant dans ce manuel, peut entraîner la mort. Les premiers symptômes d'un empoisonnement au monoxyde de carbone ressemblent à ceux de la grippe. Voici les symptômes résultant d'une ventilation inadéquate : * mal à la tête * vertiges * nez et yeux qui brûlent * nausée * bouche sèche et * mal à la gorge.</p> <p>Fournir une ouverture minimale de 0,28 m<sup>2</sup> (3 pi<sup>2</sup>) pour la ventilation, par 100 000 btu d'utilisation nominale.</p> <p>Les personnes avec des problèmes de respiration doivent consulter un médecin avant d'utiliser ce chauffage.</p> <p>Intoxication à l'oxyde de carbone: Les premiers signes de l'intoxication à l'oxyde de carbone ressemblent aux symptômes de la grippe tels que des maux de tête, des étourdissements, et/ou la nausée. Il est possible que votre chauffage ne marche pas correctement si vous éprouvez ces symptômes.</p> <p>Obtenir de l'air frais immédiatement ! Faire entretenir le chauffage. Certaines personnes sont plus atteintes par l'oxyde de carbone que les autres. Ceci inclut les femmes enceintes, les personnes avec des problèmes de cœur ou de poumon, celles sous l'influence d'alcool ou en haute altitude.</p> <p>Ne jamais utiliser ce chauffage dans les espaces d'habitation ou dans les pièces où l'on dort.</p>

## IMPORTANTES CONSIGNES DE SECURITE

 **RISQUE D'INCENDIE, DE BRÛLURE, D'INHALATION ET D'EXPLOSION. GARDER LES COMBUSTIBLES SOLIDES, COMME LES MATÉRIAUX DE CONSTRUCTION, LE PAPIER OU LE CARTON, À UNE DISTANCE SÉCURITAIRE DU RADIATEUR, SELON LES RECOMMANDATIONS DE CE MANUEL. NE JAMAIS UTILISER LE RADIATEUR DANS DES ENDROITS QUI CONTIENNENT OU POURRAIENT CONTENIR DES MATIÈRES COMBUSTIBLES VOLATILES OU EN SUSPENSION DANS L'AIR, OU ENCORE DES PRODUITS COMME DE L'ESSENCE, DES SOLVANTS, DES DILUANTS À PEINTURE, DES PARTICULES DE POUSSIÈRE OU DES PRODUITS CHIMIQUES INCONNUS.**

Si les informations contenues dans ce manuel ne sont pas suivies à la lettre, un incendie ou une explosion peuvent survenir et causer des dommages matériels, des blessures ou la mort.

- Ne pas entreposer ni utiliser d'essence ou d'autres vapeurs ou liquides inflammables à proximité de ce radiateur ou de tout autre appareil.

- Une bouteille de GPL (gaz propane liquide) qui n'est pas raccordée pour être utilisée ne doit pas être entreposée à proximité de cet appareil ou de tout autre appareil.

- **QUE FAIRE SI UNE ODEUR DE GAZ EST PRÉSENTE :**

- **NE PAS** tenter d'allumer le radiateur

- Éteindre toute flamme nue

- Couper l'alimentation en gaz vers le radiateur


- Si l'odeur persiste, contacter votre fournisseur de gaz local où le service des incendies.


- Ne toucher à aucun interrupteur électrique et n'utiliser aucun téléphone dans votre édifice.

- Appeler immédiatement votre fournisseur de gaz à partir du téléphone d'un voisin. Suivre les instructions du fournisseur de gaz.

- Si le fournisseur de gaz ne peut être rejoint appeler le service des incendies.

- La réparation doit être effectuée par une agence de service qualifiée ou par le fournisseur de gaz.

 **L'ÉTAT DE CALIFORNIE EXIGE D'APPOSER L'AVERTISSEMENT SUIVANT (PROPOSITION 65) : LES SOUS-PRODUITS DE COMBUSTION DÉGAGÉS PAR CET APPAREIL CONTIENNENT DU MONOXYDE DE CARBONE, UN PRODUIT CHIMIQUE REÇU PAR L'ÉTAT DE CALIFORNIE POUR CAUSER LE CANCER ET DES ANOMALIES CONGÉNITALES (OU D'AUTRES EFFETS NOCIFS SUR LA REPRODUCTION).**

 **NE PAS UTILISER CE RADIATEUR AVANT D'AVOIR LU ET ENTIÈREMENT COMPRIS CES DIRECTIVES DE SÉCURITÉ ET D'UTILISATION. LE FAIT DE NÉGLIGER DE RESPECTER LES PRÉCAUTIONS ET LES INSTRUCTIONS FOURNIES AVEC CE RADIATEUR PEUT ENTRAÎNER LA MORT, DES BLESSURES GRAVES, DES PERTES OU DES DOMMAGES MATÉRIELS SUITE AUX RISQUES D'INCENDIE, D'EXPLOSION, DE BRÛLURES, D'ASPHYXIE OU D'EMPOISONNEMENT AU MONOXYDE DE CARBONE. SEULES DES PERSONNES APTES À LIRE ET À COMPRENDRE CES INSTRUCTIONS DOIVENT UTILISER OU ENTREtenir CE RADIATEUR.**



**!GARDER CES INSTRUCTIONS!**







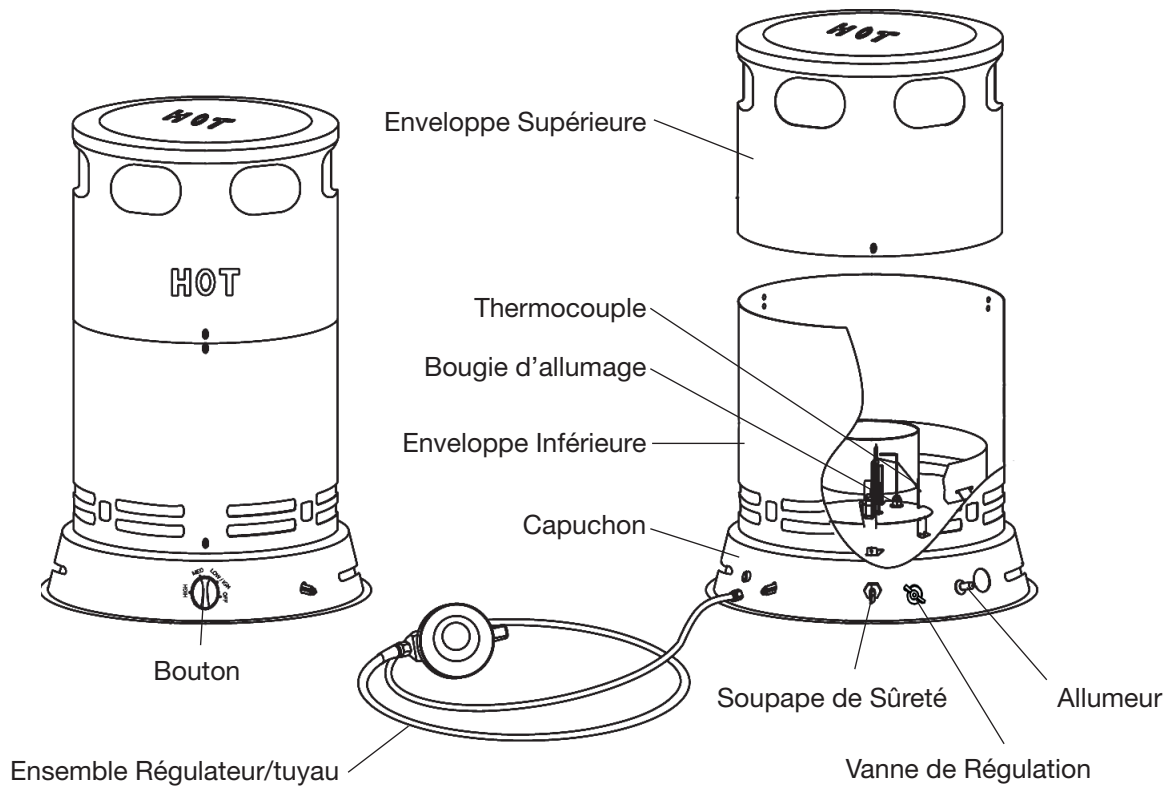
**LES PAGES SUIVANTES CONTIENNENT LES  
CONSIGNES D'UTILISATION ET D'ENTRETIEN.  
NE TENTER PAS DE FAIRE FONCTIONNER CE  
COMPRESSEUR D'AIR AVANT D'AVOIR LU ET  
COMPRIS TOUTES LES PRECAUTIONS ET  
CONSIGNES DE SECURITE CONTENUES DANS  
CE MANUEL.**

**L'UTILISATION INAPPROPRIEE DE CET  
APPAREIL PEUT CAUSER DES BLESSURES  
SERIEUSES!!**

**NE PAS ALTERER OU MODIFIER CET  
EQUIPEMENT EN AUCUNE MANIERE!**

**AVERTISSEMENT: NE JAMAIS LAISSER L'APPAREIL DE CHAUFFAGE  
SANS SURVEILLANCE LORSQU'IL FONCTIONNE OU LORSQU'IL EST  
BRANCHÉ À UNE SOURCE D'ALIMENTATION EN CARBURANT OU  
D'ÉLECTRICITÉ.**

## IDENTIFICATION DU PRODUIT



## SPÉCIFICATIONS

N° de modèle	MH-0080-CM11	MH-0200-CM11
Btu/h	30,000-80,000	75,000-200,000
Consommation de combustible	1.4 to 3.7	3.5 to 9.25
Pression d'alimentation	5 PSI	15 PSI
Pression du distributeur	11" W.C.	276.8"W.C.
Écart de bougie	3-5 mm	3-5 mm
Dimensions Lr x P x H cm (po)	17.4" x 17.4" x 21.8"	17.4" x 17.4" x 27.4"
Poids kg (Lb)	13.1	15.0
Type de carburant	Propane	
Cylindre requis	Voir le graphique à la page suivante	



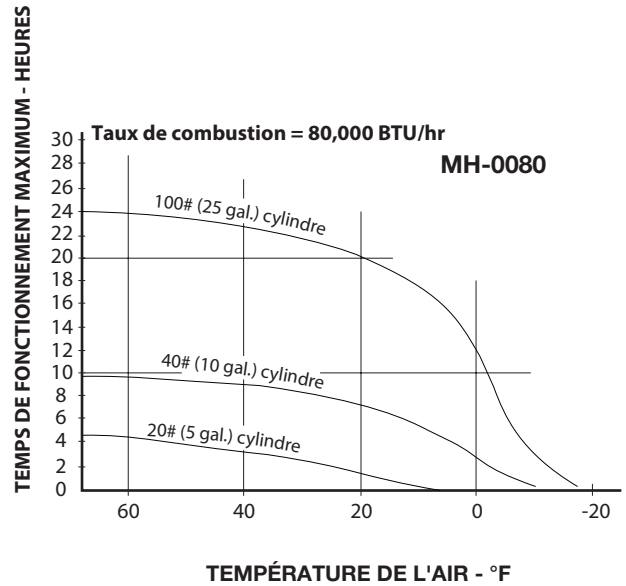
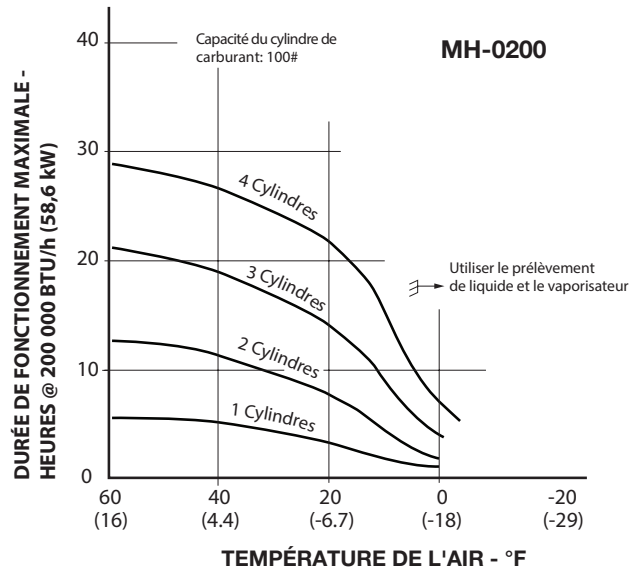
**AVERTISSEMENT: NE JAMAIS LAISSER L'APPAREIL DE CHAUFFAGE SANS SURVEILLANCE LORSQU'IL FONCTIONNE OU LORSQU'IL EST BRANCHÉ À UNE SOURCE D'ALIMENTATION EN CARBURANT OU D'ÉLECTRICITÉ.**

## TAMAÑO Y CAPACIDAD DE LOS CILINDROS DE PROPANO REQUERIDOS

Los siguientes gráficos muestran el tamaño aproximado de los cilindros requeridos por estos calentadores. Para usar el gráfico:

1. Seleccione la temperatura de aire más baja esperada (en la parte inferior del gráfico).
2. Pase directamente al momento de operación deseado (gráfico de la izquierda).
3. Lea el tamaño del cilindro requerido.

Todos los calentadores deben tener: Cilindros llenos, buena circulación de aire, no escarcha en los cilindros



## CONSIGNES GÉNÉRALES DE SÉCURITÉ

**⚠ AVERTISSEMENT: UNE MAUVAISE UTILISATION DE CE CHAUFFAGE PEUT ENTRAÎNER DES BLESSURES GRAVES OU LA MORT SUITE À DES BRÛLURES, UN INCENDIE, UNE EXPLOSION, UNE DÉCHARGE ÉLECTRIQUE ET/OU UNE INTOXICATION À L'OXYDE DE CARBONE.**

Cette chaufferette est conçue et approuvée pour les chantiers de construction en conformité avec les normes ANS Z83.7 \* et CSA 2.14-2017 régissant les chaufferettes de chantier à gaz. VÉRIFIER AVEC LE SERVICE LOCAL DES INCENDIES EN CAS DE QUESTIONS SUR L'APPLICATION. D'autres normes régissent l'utilisation des gaz combustibles et des produits de chauffage pour des utilisations spécifiques. Les autorités locales peuvent vous informer sur ces dernières.

**⚠ AVERTISSEMENT: NE PAS UTILISER AVEC UN SYSTEME DE CANALISATION D'AIR.**

**⚠ AVERTISSEMENT: NE PAS UTILISER DANS LES DOMICILES OU LES CAMPING-CARS. L'ASSEMBLAGE DU TUYAU DOIT ÊTRE PROTÉGÉ DE LA CIRCULATION, DES MATÉRIAUX DE CONSTRUCTION ET DE TOUT CONTACT AVEC LES SURFACES CHAUDES PENDANT L'UTILISATION ET LORS DE L'ENTREPOSAGE.**

Important: Lire ce manuel de l'opérateur attentivement et entièrement avant d'essayer de faire fonctionner ou d'entretenir ce chauffage. Une mauvaise utilisation de cet appareil de chauffage peut être la cause de blessures graves, voire la mort, suite à un incendie, une explosion ou une intoxication à l'oxyde de carbone.

Nous ne pouvons pas prévoir toutes les circonstances possibles qui peuvent créer un danger. Les avertissements dans ce manuel et ceux qui sont inscrits sur l'appareil ne sont donc pas exhaustifs. Avant d'utiliser une procédure, une méthode de travail ou une technique de fonctionnement qui n'est pas explicitement recommandée par le fabricant, il faut s'assurer de votre sécurité et de celle des personnes autour de vous. Il faut également s'assurer que l'équipement ne sera pas endommagé et qu'il ne sera pas une source de danger par la méthode de fonctionnement ou d'entretien que vous choisissez. Consulter les responsables locaux de la sécurité incendie si vous avez des questions à propos de l'utilisation de l'appareil de chauffage. Ce chauffage est conçu et approuvé comme appareil de chauffage de construction au gaz pour le travail en bâtiment conformément à ANS Z83.7\*CSA.14-2017.

D'autres normes déterminent l'utilisation des gaz combustibles et des produits de chauffage à utilisations spécifiques. Les autorités locales peuvent vous conseiller à ce sujet.

La ou les bouteilles de GPL doivent être fournies par l'utilisateur. Utiliser ce radiateur uniquement avec un système de retrait de vapeur de propane. Se reporter au chapitre 5 de la norme ANSI/NFPA 58 (Standard for Storage and Handling of Liquefied Petroleum Gas) sur l'entreposage et la manipulation du GPL. Votre bibliothèque municipale ou votre service des incendies possèdent ce livret.

**⚠ AVERTISSEMENT DANGER CONCERNANT LA QUALITÉ DE L'AIR**

- Ne pas utiliser cet appareil pour chauffer les habitations
- L'utilisation de chaufferettes à feu direct dans les zones de construction peut entraîner une exposition à des niveaux de CO, CO<sub>2</sub> et NO<sub>2</sub> considérés comme dangereux et potentiellement mortels.
- Ne pas utiliser dans des zones non ventilées
- Savoir reconnaître les signes d'un empoisonnement aux CO et CO<sub>2</sub>
- Maux de tête, sensation de brûlures aux yeux
- Étourdissements, désorientation
- Difficultés respiratoires, sensation de suffocation
- Fournir un échange d'air par une ventilation appropriée (OSHA 29 CFR 1926.57) pour maintenir la combustion et une qualité d'air acceptable, conformément à la norme OSHA 29 CFR, partie 1926.154, et aux exigences de sécurité de la norme ANSI A10.10 pour les dispositifs et équipements de chauffage temporaires et portatifs utilisés dans l'industrie de la construction ou aux Codes d'installation CSA B149.1 des systèmes de gaz naturel et de gaz propane.
- Surveiller périodiquement les niveaux de CO, CO<sub>2</sub> et NO<sub>2</sub> présents sur le chantier - au minimum au début du quart de travail et après 4 heures.

**⚠ AVERTISSEMENT: NE JAMAIS LAISSER L'APPAREIL DE CHAUFFAGE SANS SURVEILLANCE LORSQU'IL FONCTIONNE OU LORSQU'IL EST BRANCHÉ À UNE SOURCE D'ALIMENTATION EN CARBURANT OU D'ÉLECTRICITÉ.**

## CONSIGNES GÉNÉRALES DE SÉCURITÉ

- Assurer un échange d'air par une ventilation appropriée, naturelle ou mécanique, afin de maintenir une qualité acceptable de l'air intérieur
- S'assurer que la circulation d'air de combustion et de ventilation n'est pas obstruée
- Au fur et à mesure que le bâtiment se « referme » dans les phases de construction, il peut être nécessaire d'augmenter la ventilation

États-Unis – Moyenne pondérée dans le temps sur 8 heures (OSHA 29 CFR 1926.55 App A)

CO	50 ppm
CO <sub>2</sub>	5000 ppm
NO <sub>2</sub>	

États-Unis – Seuil supérieur (Limite d'exposition de courte durée = 15 minutes)

CO	
CO <sub>2</sub>	
NO <sub>2</sub>	5 ppm

Canada – Moyenne pondérée dans le temps sur 8 heures Directives de Santé et sécurité au travail de la Colombie-Britannique, partie 5.1, et règlement 833 de Santé et sécurité au travail de l'Ontario

CO	25 ppm
CO <sub>2</sub>	5000 ppm
NO <sub>2</sub>	3 ppm (Reg 833)

Canada – Limite d'exposition de courte durée/STEL (15 minutes, règl. 833/1 heure, WSCB), directives de Santé et sécurité au travail de la Colombie-Britannique, partie 5.1, et règlement 833 de Santé et sécurité au travail de l'Ontario

CO	100 ppm
CO <sub>2</sub>	15,000 ppm (WSCB) 30,000 ppm (Reg 833)
NO <sub>2</sub>	1.0 ppm (WorkSafeBC) 5.0 ppm (Reg 833)

*L'installation de cet appareil à des altitudes de plus 610 mètres (2 000 pi) doit être conforme aux codes locaux, ou en leur absence, au code National Fuel Gas Code ANSI Z223.1/NFPA 54 ou à la Norme nationale du Canada, Code d'installation du gaz naturel et du propane, CSA B149.1..*

### IMPORTANTES CONSIGNES DE SECURITE

1. Vérifier dans le détail le radiateur et s'assurer qu'il n'est pas endommagé avant chaque utilisation. NE PAS utiliser un appareil endommagé.
2. NE PAS modifier ce radiateur ni utiliser un quelconque radiateur dont on a modifié son état d'origine.
3. À n'utiliser qu'à l'extérieur, ou à l'intérieur mais uniquement dans un endroit bien ventilé. Pour ce radiateur, consulter la section « Ventilation » à la page 6 de ce manuel. Fournir plus de ventilation si des radiateurs supplémentaires sont utilisés.
4. Fournir une ouverture minimale de 0,28 m<sup>2</sup> (3 pi<sup>2</sup>) pour la ventilation, par 100 000 btu d'utilisation nominale.
5. NE JAMAIS utiliser le radiateur dans un logement occupé.
6. NE JAMAIS utiliser le radiateur dans une tente.
7. Faire fonctionner le radiateur de façon qu'il ne soit pas directement exposé à de l'eau, à la pluie ou à de l'eau qui s'égoutte.



**AVERTISSEMENT: NE JAMAIS LAISSER L'APPAREIL DE CHAUFFAGE SANS SURVEILLANCE LORSQU'IL FONCTIONNE OU LORSQU'IL EST BRANCHÉ À UNE SOURCE D'ALIMENTATION EN CARBURANT OU D'ÉLECTRICITÉ.**

## CONSIGNES GÉNÉRALES DE SÉCURITÉ

8. Laisser la zone où se trouve le radiateur libre de matériaux combustibles comme l'essence, les diluants à peinture et autres liquides ou vapeurs inflammables. La poussière est combustible. Ne pas utiliser le radiateur dans les endroits soumis à de grandes concentrations de poussière.
9. L'ensemble de tuyau doit être inspecté visuellement avant chaque utilisation de l'appareil de chauffage. S'il est évident qu'il y a une abrasion ou une usure excessive, ou si le tuyau est coupé, il doit être remplacé avant la mise en service du chauffage. Le tuyau de remplacement doit être celui spécifié par le fabricant.
10. Ne placer l'appareil que sur une surface stable et de niveau.
11. NE JAMAIS laisser le radiateur sans surveillance.
12. Garder les enfants et les animaux loin du radiateur.
13. Ne jamais utiliser lorsque l'on dort ou que le radiateur reste sans surveillance.
14. Avant de raccorder le radiateur à la bouteille de propane, s'assurer que le bouton de réglage du radiateur est à la position fermée « OFF ».
15. NE JAMAIS manipuler ni utiliser un radiateur chaud, car il y a un risque de brûlures graves. Toutes les surfaces exposées peuvent devenir très chaudes pendant le fonctionnement. Toujours laisser le radiateur refroidir pendant au moins 15 minutes avant de le manipuler.
16. Toujours débrancher et enlever du radiateur après son utilisation.
17. Placer la bouteille de gaz propane/GPL à une distance d'au moins 7 pieds (2,13 m) du chauffage et ne pas diriger l'appareil de chauffage vers toute bouteille de gaz propane/GPL..

**⚠ AVERTISSEMENT: NE JAMAIS LAISSER L'APPAREIL DE CHAUFFAGE SANS SURVEILLANCE LORSQU'IL FONCTIONNE OU LORSQU'IL EST BRANCHÉ À UNE SOURCE D'ALIMENTATION EN CARBURANT OU D'ÉLECTRICITÉ.**

### ALIMENTATION EN GAZ PROPANE

Alimentation en gaz propane Le tableau sur cette page indique le nombre minimum de bouteilles de 45 kg (100 lb) requises par temps froid. Votre détaillant de gaz propane vous aidera à sélectionner le système d'alimentation qui convient. La quantité de GPL utilisée avec ce radiateur varie. Les deux facteurs déterminants sont :

Température moyenne °C (°F)	MH-0080-CM11 Bouteilles de 45 kg (100 lb)	MH-0200-CM11 Bouteilles de 45 kg (100 lb)
32°	1	2
20°	1	2
10°	2	3
0°	2	3
-10°	2	3
-20°	2	3

La quantité de gaz dans la bouteille.

La température de la bouteille et de ses environs.

**⚠ EXTRÊMEMENT CHAUD PENDANT LE FONCTIONNEMENT. NE TOUCHER À AUCUN COMPOSANT EN MÉTAL PENDANT LE FONCTIONNEMENT. GARDER L'ESSENCE ET TOUT AUTRE LIQUIDE INFLAMMABLE LOIN DU RADIATEUR.**

**⚠ S'ASSURER DE LIRE ET COMPRENDRE TOUTES LES INFORMATIONS SUR LA SÉCURITÉ INDIQUÉES DANS CE MANUEL AVANT D'ALLUMER CE RADIATEUR.**

**⚠ LE RADIATEUR COMPORTE DES SURFACES AYANT UNE TEMPÉRATURE TRÈS ÉLEVÉE. VEILLER À GARDER LES ENFANTS, LES ANIMAUX ET LES VÊTEMENTS LOIN DU RADIATEUR. S'ASSURER DE GARDER LE BRÛLEUR ET LE RÉGULATEUR DU RADIATEUR PROPRES ET SANS AUCUN DÉBRIS. GARDER LE RADIATEUR À UNE DISTANCE SÉCURITAIRE, COMME IL EST ILLUSTRÉ.**

La ou les bouteilles de GPL doivent être fournies par l'utilisateur. Utiliser ce radiateur uniquement avec un système de retrait de vapeur de propane. Se reporter au chapitre 5 de la norme ANSI/NFPA 58 (Standard for Storage and Handling of Liquefied Petroleum Gas) sur l'entreposage et la manipulation du GPL. Votre bibliothèque municipale ou votre service des incendies possède ce livret.

## CONSIGNES GÉNÉRALES DE SÉCURITÉ

Caractéristique du GPL - Inflammable, explosif lorsque sous pression, plus lourd que l'air et s'accumule au raz du sol.

Dans son état naturel, le propane n'a aucune odeur, mais pour votre sécurité une odeur de chou pourri a été ajoutée.

Un contact du pétrole liquide avec la peau peut causer des brûlures par le froid.

Le radiateur est fabriqué pour utiliser du GPL seulement. NE PAS tenter de le convertir vers un quelconque autre gaz. De telles modifications sont dangereuses et annulent la garantie.

Lorsque le radiateur n'est pas utilisé, l'alimentation en GPL doit être COUPÉE.

S'assurer que la bouteille de GPL est placée sur une surface stable et de niveau.

Ne pas utiliser le radiateur dans un sous-sol ou plus bas que le niveau du sol. Le propane est plus lourd que l'air et cherche toujours à s'accumuler au niveau le plus bas. Si l'on soupçonne une fuite, fermer immédiatement le robinet au niveau de la bouteille de propane. Ne pas utiliser de flamme pour vérifier la présence de fuites! Utiliser une solution 50/50 de savon à vaisselle et d'eau pour vérifier la présence de fuites. Réparer toute fuite avant de tenter de rallumer le radiateur.

Avant chaque utilisation, vérifier que le joint torique sur le connecteur d'alimentation en gaz du radiateur n'est pas endommagé. Le remplacer s'il est endommagé ou usé.

### DISTANCE MINIMUM DES COMBUSTIBLES

	MH-0080-CM11	MH-0200-CM11
Haut	6 pieds (1,83m)	8 pieds (2,44m)
Cotés	4 pieds (1,22m)	4 pieds (1,22m)



**AVERTISSEMENT: NE JAMAIS LAISSER L'APPAREIL DE CHAUFFAGE SANS SURVEILLANCE LORSQU'IL FONCTIONNE OU LORSQU'IL EST BRANCHÉ À UNE SOURCE D'ALIMENTATION EN CARBURANT OU D'ÉLECTRICITÉ.**

## ASSEMBLAGE

### ASSEMBLAGE DU RADIATEUR

1. Appareil tel que reçu à la sortie de l'emballage. Avant de soulever la coque extérieure, protégez-vous les mains. Ne saisissez jamais le métal nu sans vous protéger les mains. (Voir Figure 1)
2. Soulevez directement la coque extérieure. Protégez-vous bien les mains avant de soulever la coque. (Voir Figure 2)

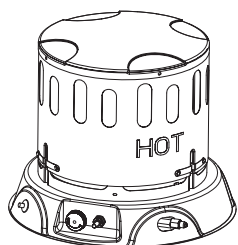


Figure 1

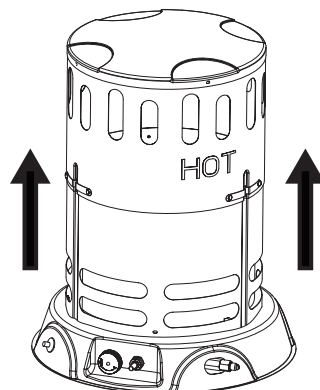
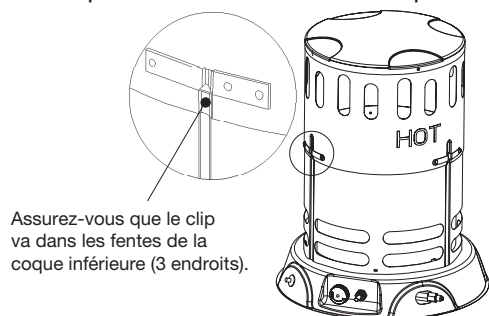


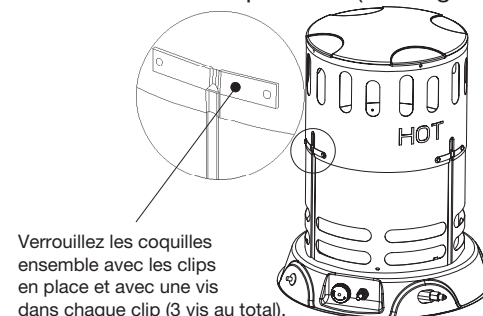
Figure 2

3. Soulevez la coque extérieure jusqu'à ce que les trois clips s'insèrent dans les fentes de la coque inférieure. Ceci étant fait, les trous des vis devraient être alignés. (Voir Figure 3)
4. Verrouillez les clips au moyen des trois vis, tel qu'illustré. L'appareil ne doit pas fonctionner à moins que les coques extérieures soient complètement ouvertes et verrouillées en position. (Voir Figure 4)



Assurez-vous que le clip va dans les fentes de la coque inférieure (3 endroits).

Figure 3



Verrouillez les coquilles ensemble avec les clips en place et avec une vis dans chaque clip (3 vis au total).

Figure 4

**AVERTISSEMENT : N'ESSAYEZ JAMAIS D'ALLUMER UN RÉCHAUFFEUR JUSQU'À CE QU'IL SOIT ASSEMBLÉ.**

### RACCORDEMENT À UNE ALIMENTATION EN GAZ

IMPORTANT! Toujours utiliser une bouteille de propane munie d'un dispositif de raccordement compatible avec le tuyau et le régulateur fournis.

1. Pour accorder les tuyaux et le régulateur, faire tourner leur accord sur le tuyau/régulateur DANS LE SENS ENTIER HORAIRE, dans les filets de la soupape de la bouteille. (Voir Figure 5 et 6) S'assurer de bien serrer.

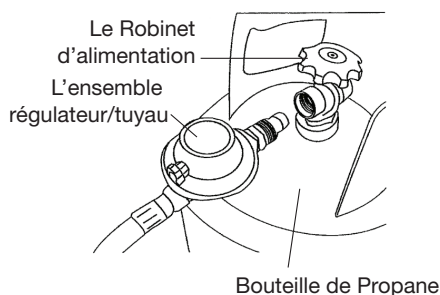


Figure 5

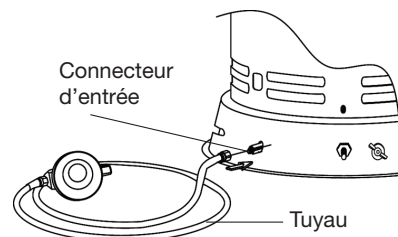


Figure 6

**AVERTISSEMENT: NE JAMAIS LAISSER L'APPAREIL DE CHAUFFAGE SANS SURVEILLANCE LORSQU'IL FONCTIONNE OU LORSQU'IL EST BRANCHÉ À UNE SOURCE D'ALIMENTATION EN CARBURANT OU D'ÉLECTRICITÉ.**



## ASSEMBLAGE

*Important : S'assurer que le régulateur est bien placé à l'horizontale, comme l'illustre.*

2. Pour raccorder à l'entrée du radiateur, tourner dans le sens horaire et serrer fermement avec une clé .
3. Vérifier tous les raccords pour s'assurer qu'ils ne présentent pas de fuite en utilisant un mélange 50/50 de savon à vaisselle et d'eau. Des bulles au niveau des raccords indiquent une fuite. Réparer toutes les fuites avant d'allumer le radiateur. **NE JAMAIS UTILISER UNE FLAMME NUE POUR CONTRÔLER L'ÉTANCHÉITÉ.**

## THÉORIE D'UTILISATION

 **AVERTISSEMENT: NE JAMAIS LAISSER L'APPAREIL DE CHAUFFAGE SANS SURVEILLANCE LORSQU'IL FONCTIONNE OU LORSQU'IL EST BRANCHÉ À UNE SOURCE D'ALIMENTATION EN CARBURANT OU D'ÉLECTRICITÉ.**

## FONCTIONNEMENT

**Système d'alimentation en carburant** Le gaz est alimenté sous pression à partir de la bouteille de gaz vers le radiateur au moyen du tuyau/régulateur. Le régulateur maintient un débit constant de gaz vers le radiateur.

**Système d'allumage** Alors que le gaz est vaporisé dans la chambre de combustion, à travers un gicleur d'alimentation, l'allumeur piézo allume le mélange de gaz et d'air.

**Système de contrôle automatique** Si la flamme venait à s'éteindre, la vanne de régulation automatique arrête le radiateur.

**PASSER EN REVUE ET BIEN COMPRENDRE TOUS LES AVERTISSEMENTS DANS LES PAGES CONSACRÉES AUX INFORMATIONS SUR LA SÉCURITÉ DANS CE MANUEL.**

 **ÉTANT DONNÉ QUE LA SURFACE DU RADIATEUR ATTEINT UNE TEMPÉRATURE TRÈS ÉLEVÉE, IL EST IMPORTANT DE GARDER LES ENFANTS, LES MEUBLES ET LES VÊTEMENTS LOIN DU RADIATEUR, GARDER LA ZONE DES COMMANDES ET DU BRÛLEUR PROPRE ET SANS SALETÉS OU DÉBRIS.**

 **EXTRÊMEMENT CHAUD LORSQU'EN FONCTIONNEMENT. NE PAS TOUCHER AU RADIATEUR PENDANT QU'IL FONCTIONNE. GARDER LES ENFANTS, LES VÊTEMENTS, LES MEUBLES, L'ESSENCE ET LES AUTRES LIQUIDES AYANT DES VAPEURS INFLAMMABLES LOIN DU RADIATEUR.**

*REMARQUE : Après que le raccordement a été effectué, de l'air pourrait être piégé dans la conduite de gaz. Avant d'allumer le radiateur il sera nécessaire de purger tout air pouvant être piégé dans la conduite. Après cette purge, le radiateur s'allumera et fonctionnera normalement. La purge de la conduite de gaz sera nécessaire à chaque remplacement de la bouteille.*

## PRÉPARATION À L'UTILISATION

1. Vérifier que le radiateur n'a pas été endommagé pendant son expédition. Si un quelconque dommage est détecté, aviser immédiatement votre détaillant local.
2. Respecter toutes les informations sur la sécurité indiquées.

**AVERTISSEMENT: NE JAMAIS LAISSER L'APPAREIL DE CHAUFFAGE SANS SURVEILLANCE LORSQU'IL FONCTIONNE OU LORSQU'IL EST BRANCHÉ À UNE SOURCE D'ALIMENTATION EN CARBURANT OU D'ÉLECTRICITÉ.**



## INSTRUCTIONS POUR L'ALLUMAGE - (MH-0080-CM11)

1. Arrêter! Lire toutes les informations sur la sécurité fournies avec ce radiateur.
2. Tourner le robinet situé sur la bouteille de propane dans le sens antihoraire pour l'ouvrir complètement.
3. Appuyer sur le bouton de commande et le tourner dans le sens antihoraire à la position bas/ignition (LOW/IGN).
4. Si le brûleur ne s'allume pas, tourner le bouton de commande à la position d'arrêt (OFF) et recommencer la procédure d'allumage.
5. Enfoncer le bouton de commande pendant environ 15 secondes avant de le relâcher.
6. Si la flamme s'éteint, attendre 5 minutes et répéter les étapes d'allumage.
7. Une fois le radiateur allumé, tourner le bouton de commande au réglage de chaleur désiré.

**AVERTISSEMENT: NE JAMAIS LAISSER L'APPAREIL DE CHAUFFAGE SANS SURVEILLANCE LORSQU'IL FONCTIONNE OU LORSQU'IL EST BRANCHÉ À UNE SOURCE D'ALIMENTATION EN CARBURANT OU D'ÉLECTRICITÉ.**



## INSTRUCTIONS POUR LE RALLUMAGE

1. Tourner le robinet de la bouteille dans le sens horaire pour le refermer, et attendre cinq (5) minutes.
2. Rallumer en suivant les INSTRUCTIONS D'ALLUMAGE.

## INSTRUCTIONS D'ARRÊT


1. Fermez le robinet sur la bonbonne de gaz propane.
2. Laissez l'appareil fonctionner jusqu'à ce que tout le gaz dans le tuyau ait brûlé.
3. Tourner la valve de brûleur principale à la position basse/ claire.

## INSTRUCTIONS POUR L'ALLUMAGE - (MH-0200-CM11)

## FONCTIONNEMENT

### PRÉPARATION À L'UTILISATION

**AVERTISSEMENT: TOURNER LE BRÛLEUR PRINCIPAL À LA POSITION LÉGER (LIGHT). LIRE LES INFORMATIONS DE SÉCURITÉ AVANT DE DÉMARRER LE RADIATEUR.**

-  Ouvrir complètement le robinet de la bouteille de propane, attendre 15 secondes avant de passer à l'étape 2.
- Appuyer sur le bouton rouge du robinet d'arrêt de sécurité, qui alimente en gaz le brûleur. Ensuite, appuyer sur et relâcher le bouton d'allumage jusqu'à ce que le brûleur s'allume.
- Lorsque le brûleur s'allume, continuer d'appuyer sur le bouton rouge pendant 30 secondes, puis le relâcher.
- Si le brûleur s'éteint, attendre 5 minutes et répéter la procédure d'allumage.
- Lorsque le brûleur s'allume, ouvrir le robinet du brûleur à la position de marche (ON) pour faire fonctionner le radiateur. Fermer partiellement le robinet pour réguler la sortie de chaleur.

*Note : L'ajustement du taux de brûlure si bas peut causer la suie. Surveillez et évitez une flamme jaune.*

### INSTRUCTIONS POUR LE RALLUMAGE

- Tourner le robinet de la bouteille dans le sens horaire pour le refermer, et attendre cinq (5) minutes.
- Rallumer en suivant les INSTRUCTIONS D'ALLUMAGE.

### INSTRUCTIONS D'ARRÊT

- Fermez le robinet sur la bonbonne de gaz propane.
- Laissez l'appareil fonctionner jusqu'à ce que tout le gaz dans le tuyau ait brûlé.
- Tourner la valve de brûleur principale à la position basse/ claire.

**AVERTISSEMENT: NE JAMAIS TENTER DE RÉPARER LE RADIATEUR SEC ET SÉCURITAIRE, ALORS QU'IL EST ENCORE EN MARCHÉ, ENCORE CHAUD OU RACCORDÉ À L'ALIMENTATION EN GAZ. DES BRÛLURES SÉVÈRES PEUVENT SE PRODUIRE.**



### VENTILATION

Pour ces radiateurs, fournir un minimum de 0,23 m<sup>2</sup> (2,5 pi<sup>2</sup>) d'espace pour le MH-0080-CM11, ou un minimum de 0,55 m<sup>2</sup> (6 pi<sup>2</sup>) pour le MH-0200-CM11 en ouvrant une fenêtre ou une porte pour faire circuler de l'air frais provenant de l'extérieur. Fournir une ouverture minimale de 0,28 m<sup>2</sup> (3 pi<sup>2</sup>) pour la ventilation, par 50 000 btu d'utilisation nominale.

### ENTRETIEN ET ENTREPOSAGE



**AVERTISSEMENT: NE JAMAIS LAISSER L'APPAREIL DE CHAUFFAGE SANS SURVEILLANCE LORSQU'IL FONCTIONNE OU LORSQU'IL EST BRANCHÉ À UNE SOURCE D'ALIMENTATION EN CARBURANT OU D'ÉLECTRICITÉ.**

## ENTRETIEN

Inspecter le radiateur avant chaque utilisation. Vérifier tous les raccords pour y détecter des fuites, en suivant la procédure indiquée. Vérifier le tuyau du régulateur pour y détecter des fissures des brisures ou de l'usure. Si le tuyau est endommagé, le remplacer par une pièce correspondante du fabricant.

Après son utilisation, toujours débrancher le radiateur de la bouteille et ranger le radiateur dans un endroit distinct de celui de la bouteille. S'assurer de bien fermer le robinet de la bouteille après son utilisation et avant de l'entreposer.

Toujours entreposer les bouteilles de propane à l'extérieur, mais pas dans un endroit clos. Ne jamais entreposer une bouteille à proximité d'une source de chaleur, sous les rayons directs du soleil ou près de flammes nues. Ne jamais entreposer la bouteille à l'intérieur. La bouteille doit toujours être entreposée à l'extérieur, en conformité avec le chapitre 5 du Standard for Storage and Handling of Liquefied Petroleum Gases (ANSI/INFPA 58) (Norme sur l'entreposage et la manipulation du GPL).

Toujours garder propre l'intérieur et l'extérieur du radiateur.

Faire inspecter le radiateur chaque année par du personnel de service qualifié.

Placer des couvercles en plastique par-dessus les raccords d'alimentation du radiateur lorsqu'on l'entrepose pour la saison.

Toujours entreposer le radiateur dans un endroit propre, Ne jamais tenter de réparer le radiateur sec et sécuritaire.



**AVERTISSEMENT: NE JAMAIS LAISSER L'APPAREIL DE CHAUFFAGE SANS SURVEILLANCE LORSQU'IL FONCTIONNE OU LORSQU'IL EST BRANCHÉ À UNE SOURCE D'ALIMENTATION EN CARBURANT OU D'ÉLECTRICITÉ.**

## DÉPANNAGE

### PROBLÈME

### CAUSES POSSIBLES

### SOLUTION

Le brûleur ne s'allume pas

1. Le robinet de la bouteille fermé
2. Le clapet de non-retour de la bouteille est fermé
3. Le gicleur du brûleur est bloqué
4. Le système d'allumage ne produit pas d'étincelles

1. Ouvrir le robinet de la bouteille
2. Fermer le robinet de la bouteille, attendre une minute, et le rouvrir lentement
3. Remplacer le gicleur du brûleur
4. Inspecter les fils de l'allumeur pour vérifier qu'ils ne sont pas endommagés, s'assurer que l'écart de bougie est de 0,495 mm (0,195 po)

L'allumeur s'allume, mais la flamme s'éteint lorsque le bouton de commande est tourné au réglage désiré

1. Le thermocouple n'a pas eu suffisamment de temps pour se réchauffer
2. Pression de gaz trop basse
3. Le thermocouple doit être remplacé, où il est desserré
4. Le robinet de commande est endommagé

1. Continuer d'appuyer sur le robinet de commande pendant au moins 45 secondes
2. Vérifier que les bouteilles contiennent le bon type de gaz
3. Remplacer ou resserrer le raccord de thermocouple
4. Remplacer le robinet de commande

La flamme du brûleur est trop basse

1. Le robinet de la bouteille n'est pas suffisamment ouvert
2. L'orifice du brûleur est obstrué
3. Pression de gaz trop basse
4. L'alimentation en gaz est trop basse

1. Vérifier que le robinet de la bouteille est complètement ouvert
2. Remplacer le brûleur
3. Vérifier que le régulateur fonctionne correctement
4. Remplacer la faible alimentation en gaz par une nouvelle, c'est-à-dire une nouvelle bouteille



## BON DE GARANTIE

Mi-T-M garantit à l'acheteur au détail d'origine seulement que ce radiateur sera exempt de défauts de matière et de fabrication pendant une période d'un an à partir de la date de l'achat initial. Ce produit doit être installé, entretenu et utilisé correctement, en conformité avec les instructions fournies.

Mi-T-M exige une preuve raisonnable de la date d'achat chez un détaillant ou un distributeur autorisé. Il vous faut donc conserver votre preuve d'achat, facture ou chèque annulé pour l'achat d'origine. Cette garantie limitée couvre uniquement la réparation ou le remplacement des pièces jugées défectueuses dans des conditions d'utilisation et d'entretien normales pendant la période de garantie et Mi-T-M se réserve le droit de déterminer ceci à sa seule discrétion. Cette garantie ne couvre pas les pièces d'usure: filtres, ailettes, gicleurs et rotors.

Cette garantie limitée ne couvre pas toute défaillance ou difficulté d'utilisation résultant d'un usage normal, d'une usure normale, d'un accident, d'un abus, d'une mauvaise utilisation, d'une altération, d'un mauvais usage, d'une installation inadéquate ou encore d'une réparation ou d'un entretien inadéquats par vous ou par une quelconque tierce partie. Le fait de négliger d'effectuer l'entretien normal et de routine de ce radiateur, les dommages causés lors de l'expédition de l'expédition ou reliés à des insectes, des oiseaux ou des animaux ou encore à tout autre dommage résultant des conditions météorologiques ne sont pas couverts par cette garantie. En outre, cette garantie limitée ne couvre pas les dommages au fini, comme les égratignures, les encoches, la décoloration, la rouille ou d'autres dommages résultant des conditions météorologiques, et survenus après l'achat.

Tous les frais de transport pour le retour de produits ou de pièces endommagés doivent être défrayés par l'acheteur. Sur réception de l'article endommagé, Mi-T-M examinera l'article en question et déterminera s'il est défectueux. Mi-T-M réparera ou remplacera et retournera l'article frais de port payés. Si Mi-T-M détermine que l'article est dans un état d'utilisation normale, ou n'est pas défectueux, il sera retourné fret payable à l'arrivée. Cette garantie limitée remplace toute autre garantie explicite. Mi-T-M renonce à toute garantie de produits achetés de vendeurs autres que des détaillants ou distributeurs autorisés.

APRÈS UNE PÉRIODE D'UN (1) AN CETTE GARANTIE EXPRESSE EXPIRE, MI-T-M RENONCE À TOUTE GARANTIE IMPLICITE INCLUANT, MAIS SANS S'Y LIMITER, TOUTE GARANTIE IMPLICITE DE QUALITÉ MARCHANDE OU D'ADAPTATION À UN USAGE PARTICULIER. EN OUTRE, MI-T-M N'EST AUCUNEMENT RESPONSABLE ENVERS L'ACHETEUR OU ENVERS TOUTE TIERCE PARTIE POUR UN QUELCONQUE DOMMAGE INDIRECT, PUNITIF, CONNEXE OU FORTUIT. Mi-T-M n'assume aucune responsabilité pour un quelconque défaut causé par une tierce partie. Cette garantie limitée donne à l'acheteur des droits légaux spécifiques; un acheteur pourrait jouir d'autres droits selon de la juridiction où il réside. Certaines juridictions ne permettent pas l'exclusion ou la limitation des dommages spéciaux, indirects ou fortuits ou des limitations sur la durée d'une garantie; les limitations ci-dessus pourraient donc ne pas s'appliquer à votre cas.

Mi-T-M n'autorise aucune personne ou aucune entreprise à assumer pour elle une quelconque obligation ou responsabilité autre reliée à la vente, l'installation, l'utilisation, l'enlèvement, le retour ou le remplacement de ces équipements et aucune telle représentation ne lie en quelque manière Mi-T-M

Toujours s'assurer de spécifier le numéro de modèle et le numéro de série lors de toute demande à Mi-T-M

Pour service ou considération de garantie, contactez  
Mi-T-M® Corporation, 50 Mi-T-M Drive, Peosta, IA 52068  
563-556-7484 / 800-553-9053 / Fax 563-556-1235  
du lundi au vendredi, de 8h00 à 17h00, CST (heure centrale)


## TABLE OF CONTENTS

<b>INTRODUCCION.</b> .....	<b>40</b>
<b>ADVERTENCIAS IMPORTANTES DE SEGURIDAD.</b> .....	<b>41</b>
<b>IDENTIFICACIÓN DEL PRODUCTO.</b> .....	<b>45</b>
<b>ESPECIFICACIONES.</b> .....	<b>45</b>
<b>TAMAÑO Y CAPACIDAD DE LOS CILINDROS DE PROPANO REQUERIDOS .</b> .....	<b>46</b>
<b>INFORMACIÓN DE SEGURIDAD GENERAL.</b> .....	<b>47</b>
<b>INFORMACIÓN DE SEGURIDAD GENERAL.</b> .....	<b>48</b>
ADVERTENCIAS IMPORTANTES DE SEGURIDAD.....	48
SUMINISTRO DE PROPANO. ....	49
ESPACIOS MÍNIMOS DE LOS COMBUSTIBLES:.....	50
<b>ASAMBLEA.</b> .....	<b>51</b>
TEORÍA DE FUNCIONAMIENTO. ....	53
PREPARACIÓN PARA USAR EL APARATO .....	53
INSTRUCCIONES PARA ENCENDER (MH-0080-CM11). ....	53
INSTRUCCIONES PARA VOLVER A ENCENDER. ....	53
INSTRUCCIONES PARA APAGAR. ....	53
INSTRUCCIONES PARA ENCENDER (MH-0200-CM11). ....	53
PREPARACIÓN PARA USAR EL APARATO. ....	53
<b>OPERACIÓN.</b> .....	<b>53</b>
INSTRUCCIONES PARA VOLVER A ENCENDER. ....	54
INSTRUCCIONES PARA APAGAR. ....	54
VENTILACIÓN . ....	54
MANTENIMIENTO Y ALMACENAMIENTO.....	55
<b>MANTENIMIENTO.</b> .....	<b>55</b>
<b>SOLUCIÓN DE PROBLEMAS</b> .....	<b>56</b>
<b>GARANTÍA LIMITADA.</b> .....	<b>57</b>



**PRECAUCIÓN: CONSUMIDOR LEA Y CONSERVE ESTAS INSTRUCCIONES PARA USO FUTURO.**

### **ADVERTENCIA**

 **ADVERTENCIA:** Este producto puede exponerlo a productos químicos, incluido el plomo, que el Estado de California conoce a causar cáncer y defectos congénitos u otros daños reproductivos. Para obtener más información, visite [www.P65Warnings.ca.gov](http://www.P65Warnings.ca.gov)

## INTRODUCCION

¡Felicitaciones por la compra de su nueva compresor de aire eléctrico! Puede estar seguro que su compresor de aire eléctrico fue construida con el nivel más. Cada componente ha sido probado rigurosamente por técnicos para asegurar la calidad, la resistencia y el rendimiento de esta unidad.

Este manual del operador fue compilado para su beneficio. Leyendo y siguiendo los pasos simples de seguridad, instalación, operación, mantenimiento y localización de fallas descritos en este manual ayudará a prolongar aun más la operación libre de fallas que usted puede esperar de su compresor de aire eléctrico. El contenido de este manual está basado en la información actualizada disponible al momento de la publicación. Mi-T-M® se reserva el derecho de efectuar cambios en precio, color, materiales, equipo, especificaciones o modelos en cualquier momento sin previo aviso.

### ¡IMPORTANTE!

Estos párrafos están rodeados por una “CASILLA DE ALERTA DE SEGURIDAD”. Esta casilla se usa par designar y enfatizar las Advertencias de Seguridad que deben seguirse al operar esta lavadora a presión. Acompañando a las Advertencias de Seguridad están las “palabras de alerta” que designan el grado o nivel de seriedad de riesgo. Las “palabras de alerta” usadas en este manual son las siguientes:

**PELIGRO:** Indica una situación inminente riesgosa la cual, si no se evita, RESULTARA en la muerte o en lesiones graves.

**ADVERTENCIA:** Indica una situación potencialmente riesgosa la cual, si no se evita, PODRIA resultar en la muerte o en lesiones graves.

**PRECAUCION:** Indica una situación potencialmente riesgosa la cual, si no se evita PUEDE resultar en lesiones menores o moderadas.



El símbolo indicado a la izquierda de este párrafo es el “Símbolo de Alerta de Seguridad”. Este símbolo se usa para alertarlo acerca de artículos o procedimientos que podrían ser peligrosos para usted u otras personas usando este equipo.

**PROVEA SIEMPRE UNA COPIA DE ESTE MANUAL A CUALQUIER PERSONA QUE USE ESTE EQUIPO. LEA TODAS LAS INSTRUCCIONES ANTES DE OPERAR ESTA LAVADORA A PRESION, OBSERVANDO EN PARTICULAR LAS “ADVERTENCIAS DE SEGURIDAD” PARA EVITAR LA POSIBILIDAD DE LESIONES PERSONALES AL OPERADOR.**

Escriba el número de serie de su unidad en el espacio provisto abajo, una vez que la unidad haya sido desempacada.

**NUMERO DE SERIE** \_\_\_\_\_

Inspeccione por daño el contenido de la caja. Si algo parece dañado, **NOLADEVUELVAAL LUGAR DE COMPRA**. Llame a su representante de servicio al cliente de al 800-553-9053.




Por favor tenga disponible la información siguiente para todas las llamadas de servicio:

1. Número de modelo
2. Número de serie
3. Fecha y lugar de compra

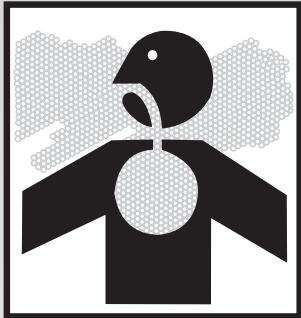
Mi-T-M® Corporation  
50 Mi-T-M Drive  
Peosta, IA 52068-0050




## ADVERTENCIAS IMPORTANTES DE SEGURIDAD

Hazard	Potential Consequence	Prevention
<p><b>RIESGO DE EXPLOSIÓN O DE INCENDIO</b></p>  	<p>La herida o la muerte graves pueden ocurrir de chispas eléctricas normales en el interruptor de motor y presión</p> <p>La herida grave puede ocurrir la entrada o salida del aire de la calentadora son bloqueadas.</p> <p>La herida o la muerte graves pueden ocurrir si combustibles impropios son utilizados, si calentadora esta operando al rellenar.</p> <p>La herida grave puede ocurrir si calentadora no está en la superficie nivel y está lejos de contacto con niños y animales.</p>	<p>El aparato debe mantenerse limpio y libre de materiales combustibles, gasolina y otros vapores y líquidos inflamables.</p> <p>Nunca ponga los objetos enfrente de entrada del aire (trasero) ni salida de aire (frente) de calentadora. Nunca utilice el trabajo de conducto en la frente ni en trasero de calentadora. Mantenga toda materia combustible lejos de esta calentadora.</p> <p>Nunca use combustibles como gasolina, el benceno, diluyentes de pintura, ni otro petróleo componen en esta calentadora. Esta calentadora está <b>MUY CALIENTE</b> mientras en la operación.</p> <p>Nunca transporte calentadora con combustible en su tanque..</p> <p>El almacenamiento del combustible del bulto debe ser un mínimo de 25 Pies de calentadoras, de las antorchas, de generadores portátiles, o de otras fuentes de ignición. Todo almacenamiento del combustible debe ser de acuerdo con federal, el estado, o las administración local que tienen jurisdicción.</p> <p>Nunca movimiento ni maneja calentadora mientras todavía caliente.</p> <p>Si equipado con un termostato, la calentadora puede comenzar en tiempo.</p>
<p><b>RIESGO DE EXPLOSIÓN O DE INCENDIO</b></p> 	<p>La herida grave podría ocurrir de tocar partes metálicas expuestas. Estas áreas pueden quedarse caliente durante un tiempo después de que la calentadora sea apagada.</p>	<p>SIEMPRE mantenga la calentadora en una superficie de establo y nivel. SIEMPRE mantenga a niños y animales lejos de calentadora.</p> <p>Nunca movimiento ni maneja calentadora mientras todavía caliente.</p>

## ADVERTENCIAS IMPORTANTES DE SEGURIDAD


Hazard	Potential Consequence	Prevention
<p style="text-align: center;"><b>RISQUE DE PROBLEME RESPIRATOIRE</b></p> 	<p>La herida o la muerte graves podrían ocurrir del fracaso para tener ventilación apropiada según este manual.</p>	<p>Éste es un calentador de acción directa. Acción directa significa que todos los productos de la combustión ingresan al espacio que se está calentando. Este calentador tiene una eficiencia de combustión del 98%, pero aun así produce pequeñas cantidades de monóxido de carbono. El monóxido de carbono es tóxico. Los humanos pueden tolerar pequeñas cantidades de monóxido de carbono y, por tanto, deben tomarse las medidas de precaución necesarias para suministrar una ventilación adecuada.</p> <p>Si no se suministra la adecuada ventilación indicada en este manual, se puede ocasionar la muerte. Las primeras etapas de intoxicación por monóxido de carbono producen síntomas similares a los de la gripe. Los síntomas que puede sufrir si la ventilación no es la adecuada son: * dolor de cabeza * mareo * irritación de la nariz y los ojos * náusea * boca seca * irritación de la garganta</p> <p>La abertura debe tener al menos 0.28 m<sup>2</sup> por cada 100,000 Btu de capacidad máxima.</p> <p>Las personas con problemas de respirar deben consultar a un médico antes de utilizar la calentadora. El Envenenamiento del Monóxido de carbono: Los signos tempranos de envenenamiento de monóxido de carbono se parecen a síntomas que son similares al gripe como dolores de cabeza, al mareo, y/o a la náusea. Si usted tiene estos síntomas, su calentadora no puede estar trabajando apropiadamente.</p> <p>¡Consiga aire fresco inmediatamente! La calentadora necesita atención pronto. Algunas personas son afectadas mas por monóxido de carbono que otros. Estos incluyen a mujeres embarazadas, éstos con problemas del corazón o problemas pulmonares, con la anemia, o con éstos ebrio, o a grandes altitudes. Nunca utilice esta calentadora en áreas de viviendo ni áreas durmientes.</p>


## ADVERTENCIAS IMPORTANTES DE SEGURIDAD

 PELIGRO DE INCENDIO, QUEMADURA, INHALACIÓN Y EXPLOSIÓN. MANTENGA LOS COMBUSTIBLES SÓLIDOS COMO, POR EJEMPLO, MATERIALES DE CONSTRUCCIÓN, PAPEL Y CARTÓN, A UNA DISTANCIA PRUDENCIAL DEL CALENTADOR SEGÚN LO RECOMIENDAN LAS INSTRUCCIONES. NUNCA USE EL CALENTADOR EN ESPACIOS QUE CONTENGAN O PUEDAN CONTENER COMBUSTIBLES VOLÁTILES O EN SUSPENSIÓN EN EL AIRE NI PRODUCTOS COMO, POR EJEMPLO, GASOLINA, DISOLVENTES, SOLVENTES DE PINTURA, PARTÍCULAS DE POLVO O QUÍMICOS DESCONOCIDOS.

 SI NO SE OBSERVA EXACTAMENTE LA INFORMACIÓN CONTENIDA EN ESTE MANUAL, PUEDE PRODUCIRSE UN INCENDIO O UNA EXPLOSIÓN QUE, A SU VEZ, PUEDE OCASIONAR DAÑOS MATERIALES, LESIONES PERSONALES O PÉRDIDA DE VIDAS.

- NO GUARDE NI UTILICE GASOLINA U OTROS GASES Y LÍQUIDOS INFLAMABLES CERCA DE ESTE O CUALQUIER OTRO ARTEFACTO.
- NO DEBE GUARDARSE CILINDROS DE PL DESCONECTADOS CERCA DE ESTE O CUALQUIER OTRO ARTEFACTO.
- QUÉ HACER SI HAY OLOR A GAS:
- NO TRATE DE ENCENDER EL CALENTADOR
- APAGUE TODA CLASE DE LLAMA VIVA
- CIERRE EL SUMINISTRO DE GAS DEL CALENTADOR
- SI CONTINÚA EL OLOR, PÓNGASE EN CONTACTO CON LA EMPRESA DE GAS O EL CUERPO DE BOMBEROS DE SU LOCALIDAD
- NO TOQUE NINGÚN INTERRUPTOR ELÉCTRICO NI UTILICE NINGÚN TELÉFONO DE LA EDIFICACIÓN EN QUE SE ENCUENTRE
- LLAME INMEDIATAMENTE A LA EMPRESA DE GAS DESDE EL TELÉFONO DE UN VECINO. SIGA LAS INSTRUCCIONES DE LA EMPRESA DE GAS
- SI NO PUEDE COMUNICARSE CON LA EMPRESA DE GAS, LLAME AL CUERPO DE BOMBEROS
- SÓLO TÉCNICOS CUALIFICADOS O LA EMPRESA DE GAS PUEDEN HACER LA REPARACIÓN..

 EL ESTADO DE CALIFORNIA EXIGE QUE SE HAGA LA SIGUIENTE ADVERTENCIA (PROPOSICIÓN 65): LOS PRODUCTOS DERIVADOS DE LA COMBUSTIÓN QUE PRODUCE ESTE PRODUCTO CONTIENEN MONÓXIDO DE CARBONO, UN COMPUESTO QUÍMICO QUE EL ESTADO DE CALIFORNIA RECONOCE COMO CAUSANTE DE CÁNCER Y MALFORMACIONES CONGÉNITAS (Y OTROS DAÑOS DEL SISTEMA REPRODUCTOR).

 NO USE ESTE CALENTADOR HASTA QUE HAYA LEÍDO Y ENTENDIDO TOTALMENTE ESTAS INSTRUCCIONES DE SEGURIDAD Y OPERACIÓN. SI NO SE CUMPLE CON LAS PRECAUCIONES E INSTRUCCIONES SUMINISTRADAS CON ESTE CALENTADOR, SE PUEDE SUFRIR LA MUERTE, LESIONES CORPORALES Y PÉRDIDAS MATERIALES COMO CONSECUENCIA DE INCENDIO, EXPLOSIÓN, QUEMADURA, ASFIXIA E INTOXICACIÓN POR MONÓXIDO DE CARBONO. SÓLO LAS PERSONAS QUE PUEDAN LEER Y ENTENDER ESTAS INSTRUCCIONES PUEDEN UTILIZAR O DARLE SERVICIO A ESTE CALENTADOR.

 ADVERTENCIA: NUNCA DEJE DESATENDIDA LA CALENTADORA MIENTRAS ESTE ENCENDIDO O ESTE CONECTADA A UNA FUENTE ELÉCTRICO/ DE ALIMENTACIÓN, O CUANDO ESTE CONECTADA A UNA FUENTE DE COMBUSTIBLE.

 ¡GUARDE ESTAS INSTRUCCIONES! 

# **ADVERTENCIA**

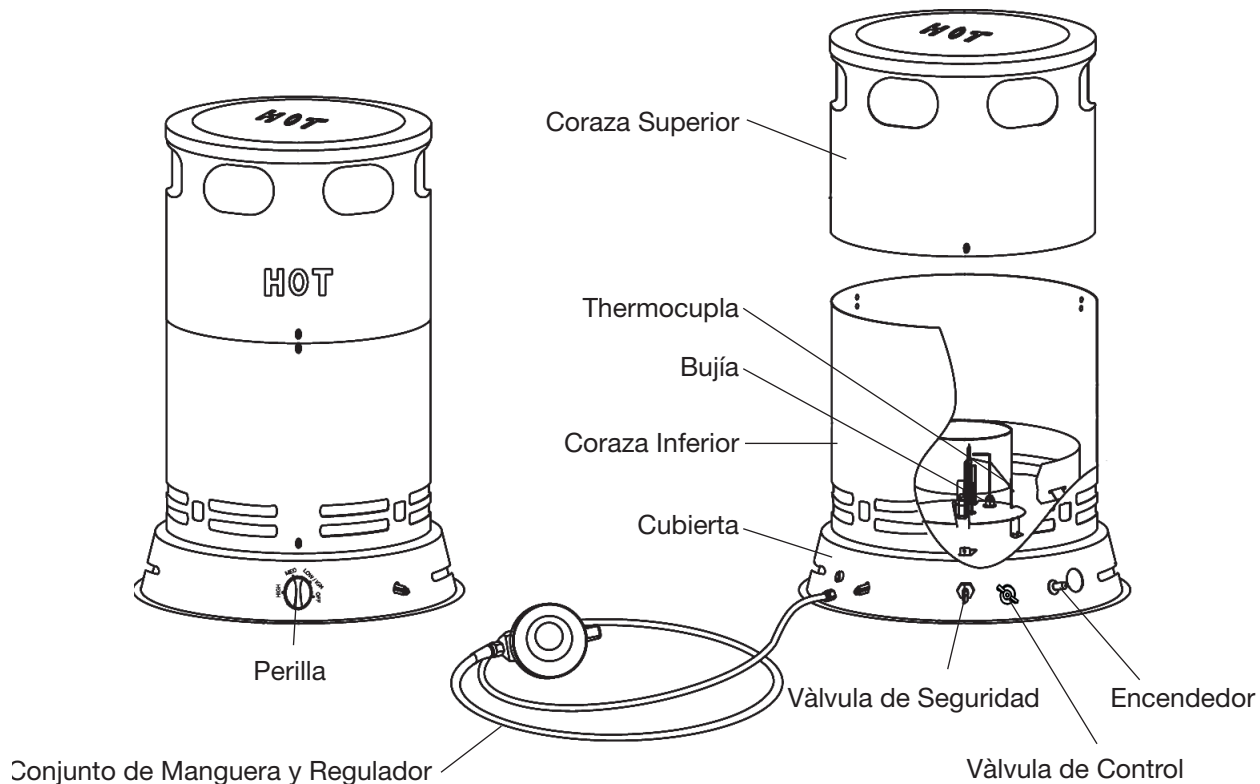
**LAS PAGINAS SIGUIENTES CONTIENEN INSTRUCCIONES DE OPERACION Y MANTENIMIENTO  
NOTRATEDERAREESTALAVADORAAPRESIONHASTA  
QUEHAYALEIDOYENTENDIDOTODASLASPRECAUCIONES  
DE INSTRUCCIONES DE SEGURIDAD LISTADAS EN ESTE  
MANUAL.**

**¡¡LA OPERACION INCORRECTA DE ESTA UNIDAD  
PUEDECAUSAR LESIONES GRAVES!!**

**¡¡DE NINGUNA MANERA ALTERE O MODIFIQUE  
ESTEEQUIPO!!**

**ADVERTENCIA: NUNCA DEJE DESATENDIDA LA  
CALENTADORA MIENTRAS ESTE ENCENDIDO O ESTE  
CONECTADA A UNA FUENTE ELÉCTRICA/DE ALIMENTACIÓN,  
O CUANDO ESTE CONECTADA A UNA FUENTE DE  
COMBUSTIBLE.**

## IDENTIFICACIÓN DEL PRODUCTO



## ESPECIFICACIONES

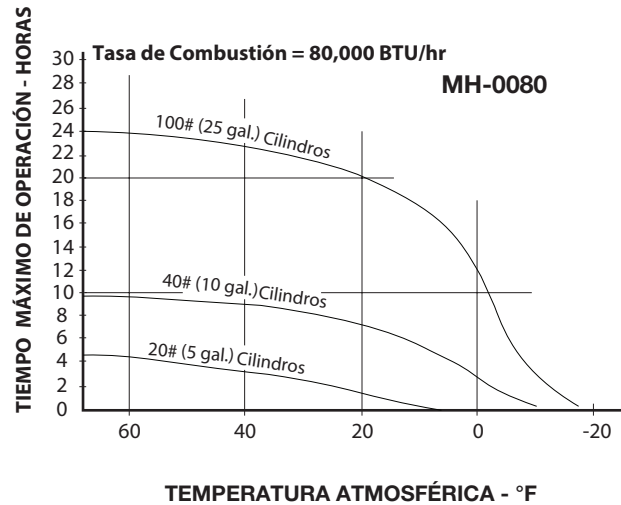
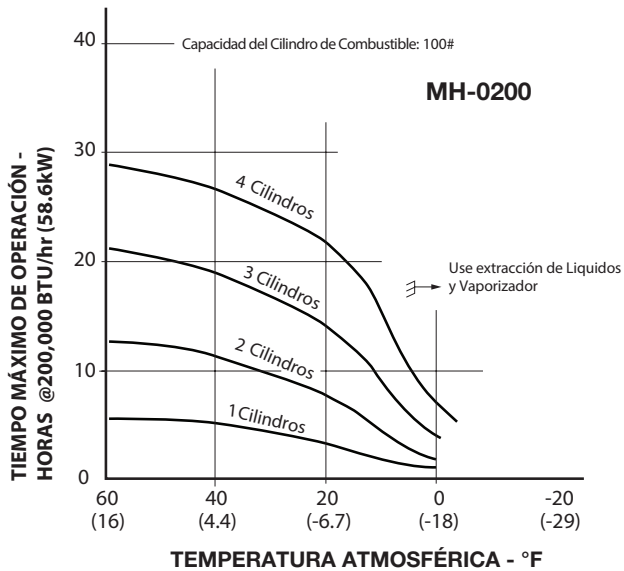
Núm. de modelo	MH-0080-CM11	MH-0200-CM11
Capacidad BTU/Hr	30,000-80,000	75,000-200,000
Consumo de combustible	1.4 to 3.7	3.5 to 9.25
Presión de suministro	5 PSI	15 PSI
Presión del múltiple	11"	276.8"
Separación de la bujía	3-5 mm	3-5 mm
A x P x Alt	17.4" x 17.4" x 21.8"	17.4" x 17.4" x 27.4"
Peso (Lb)	13.1	15.0
Tipo de combustible	Propano	
Cilindro requerido	Ver gráfico en la página siguiente	

## TAMAÑO Y CAPACIDAD DE LOS CILINDROS DE PROPANO REQUERIDOS

Los siguientes gráficos muestran el tamaño aproximado de los cilindros requeridos por estos calentadores. Para usar el gráfico:

1. Seleccione la temperatura de aire más baja esperada (en la parte inferior del gráfico)
2. Pase directamente al momento de operación deseado (gráfico de la izquierda)
3. Lea el tamaño del cilindro requerido.

Todos los calentadores deben tener: Cilindros llenos, buena circulación de aire, no escarcha en los cilindros



## INFORMACIÓN DE SEGURIDAD GENERAL

**⚠️ ADVERTENCIA: EL USO IMPROPIO DE ESTA CALENTADORA PUEDE RESULTAR CON HERIDA O MUERTE GRAVES DE QUEMADURAS, EL FUEGO, LA EXPLOSION, GOLPE ELECTRICO Y/O ENVENENAMIENTO DE MONOXIDO DE CARBONO**

Este calentador está diseñado y aprobado para uso en construcciones de acuerdo con la norma ANS Z83.7 \* CSA 2.14-2017 para calentadores para construcción a gas. CONSULTE CON LAS AUTORIDADES DE PREVENCIÓN DE INCENDIOS DE SU LOCALIDAD SI TIENE ALGUNA DUDA SOBRE EL USO DE ESTE CALENTADOR. Otras normas rigen el uso de gases combustibles y productos de calefacción para usos específicos. Sus autoridades locales pueden asesorarle sobre esas normas.

**⚠️ ADVERTENCIA: NO ES PARA USO CON DUCTWORK.**

**⚠️ ADVERTENCIA: NO ES PARA EL USO EN CASA NI EL USO DE CARAVANA PEQUEÑA. LA ASAMBLEA DE LA MANGA SERA PROTEGIDA DEL TRAFICO, EL MATERIAL DE CONSTRUCCION Y CONTACTO CON SUPERFICIES CALIENTES DURANTE USO Y MIENTRAS EN EL ALMACENAMIENTO. TEORIA DE OPERACION**

Lea detenida y completamente este Manual del usuario antes de intentar usar o darle mantenimiento a este calentador. El uso inadecuado del calentador puede ocasionar lesiones graves o la muerte debido a incendio, explosión o envenenamiento por monóxido de carbono.

Toda posible circunstancia que podría implicar un peligro no puede ser anticipada. Las advertencias que aparecen en este manual y en la unidad no cubren por tanto todo. Si se utiliza un procedimiento, método de trabajo o técnica de operación no específicamente recomendado por Pinnacle, usted deberá asegurarse que es seguro para usted y para otros. También deberá asegurarse que no se dañará el equipo ni se hará éste inseguro por el método de operación o mantenimiento que usted elija. CONSULTE CON LAS AUTORIDADES DE SEGURIDAD DE INCENDIOS DE SU LOCALIDAD SI TIENE ALGUNA DUDA SOBRE EL USO DE ESTE CALENTADOR. Este calentador ha sido diseñado y aprobado para uso como un calentador para uso en tareas de calentador de construcción a gasv bajo ANS Z83.7\*CSA.14-2017.

Otras normas rigen el uso de gases combustibles y materiales productores de calor en aplicaciones específicas. Sus autoridades locales pueden asesorarle sobre esas normas.

Usted debe suministrar el gas y los cilindros de propano. Utilice este calentador sólo con sistemas de suministro de propano con dispositivo de recuperación de vapores. Consulte el capítulo 5 de la norma para el almacenamiento y la manipulación de gas licuado de petróleo, ANSI/NFPA 58. La biblioteca o el cuerpo de bomberos de su localidad deben tener este folleto.

**⚠️ ADVERTENCIA RIESGO PARA LA CALIDAD DEL AIRE**

- No use este calentador para calentar las habitaciones de seres humanos.
- El uso de calentadores de fuego directo en áreas de construcción puede dar lugar a la exposición a niveles de CO, CO<sub>2</sub> y NO<sub>2</sub> considerados peligrosos para la salud y potencialmente mortales.
- No lo use en zonas no ventiladas
- Conozca los signos del envenenamiento por CO y CO<sub>2</sub>
- Dolor de cabeza, ardor de ojos
- Mareo, desorientación
- Dificultad para respirar, sensación de sofocación
- Debe haber un intercambio adecuado del aire de ventilación (OSHA 29 CFR 1926.57) para mantener la combustión y una calidad de aire aceptable de acuerdo con la norma OSHA 29 CFR Parte 1926.154, los requisitos de seguridad para dispositivos y equipos portátiles de calefacción temporal que se utilizan en la industria de la construcción ANSI A10.10 y los reglamentos de instalación de gas natural y propano CSA B149.1.
- Monitoree periódicamente los niveles de CO, CO<sub>2</sub> y NO<sub>2</sub> existentes en la obra de construcción, como mínimo al inicio del turno y después de 4 horas.
- Suministre un intercambio de aire de ventilación, ya sea natural o mecánico, según sea necesario para mantener una calidad aceptable del aire en el interior.

**⚠️ ADVERTENCIA: NUNCA DEJE DESATENDIDA LA CALENTADORA MIENTRAS ESTE ENCENDIDO O ESTE CONECTADA A UNA FUENTE ELÉCTRICO/ DE ALIMENTACIÓN, O CUANDO ESTE CONECTADA A UNA FUENTE DE COMBUSTIBLE.**

## INFORMACIÓN DE SEGURIDAD GENERAL

- Asegúrese de que el flujo de combustión y el intercambio del aire de ventilación no puedan quedar obstruidos.
- Es posible que sea necesario aumentar la ventilación mientras el edificio se “endurece” durante la fase de construcción.

EE.UU. - Promedio de tiempo ponderado de 8 horas (OSHA 29 CFR 1926.55 Ap. A)

CO	50 ppm
CO <sub>2</sub>	5000 ppm
NO <sub>2</sub>	

EE.UU. - Límite superior (límite de exposición a corto plazo = 15 minutos)

CO	
CO <sub>2</sub>	
NO <sub>2</sub>	5 ppm

Canadá - Promedio de tiempo ponderado de 8 horas (Directrices de seguridad laboral BC de la OHS, Parte 5.1, y Reg. 833 para entornos laborales de Ontario)

CO	25 ppm
CO <sub>2</sub>	5000 ppm
NO <sub>2</sub>	3 ppm (Reg 833)

Canadá - Límite de exposición a corto plazo (STEL) (15 minutos Reg 833/1 hora WSBC) Directrices de seguridad laboral BC de la OHS, Parte 5.1, y Reg. 833 para entornos laborales de Ontario

CO	100 ppm
CO <sub>2</sub>	15,000 ppm (WSCB) 30,000 ppm (Reg 833)
NO <sub>2</sub>	1.0 ppm (WorkSafeBC) 5.0 ppm (Reg 833)

*La instalación de este aparato en altitudes mayores de 2000 pies (610 m) debe cumplir con los reglamentos locales o, de no existir reglamentos locales, con el Reglamento nacional de gas combustible ANSI Z223.1/NFPA 54 o la norma nacional de Canadá, reglamento de instalación de gas natural y propano, CSA B149.1.*

### ADVERTENCIAS IMPORTANTES DE SEGURIDAD

1. Cada vez que vaya a usar el calentador, revíselo antes minuciosamente para verificar que no esté dañado. NO utilice el calentador si está dañado.
2. NO modifique este calentador ni utilice calentadores que se hayan modificado respecto a su estado original.
3. Para uso exterior e interior sólo en espacios bien ventilados. Con respecto a este calentador en particular, consulte Ventilación, en la página 6 de este manual. Para un número mayor de calentadores es necesario más ventilación.
4. La abertura debe tener al menos 0.28 m<sup>2</sup> por cada 100,000 Btu de capacidad máxima.
5. NUNCA use el calentador en viviendas habitadas.
6. NUNCA use el calentador en tiendas.
7. Use el calentador de manera que no tenga contacto directo con agua, lluvia o gotas de agua.
8. Mantenga el área del calentador libre de materiales combustibles como, por ejemplo, gasolina, solventes de pintura y otros líquidos y gases inflamables. El polvo es combustible. No use el calentador en áreas de alta concentración de polvo.



**ADVERTENCIA: NUNCA DEJE DESATENDIDA LA CALENTADORA MIENTRAS ESTE ENCENDIDO O ESTE CONECTADA A UNA FUENTE ELÉCTRICO/ DE ALIMENTACIÓN, O CUANDO ESTE CONECTADA A UNA FUENTE DE COMBUSTIBLE.**



## INFORMACIÓN DE SEGURIDAD GENERAL

- El conjunto de la manguera debe inspeccionarse visualmente antes de cada uso del calentador. Si es evidente que hay abrasión o desgaste excesivo, o si la manguera está cortada, deberá reemplazarse antes de poner en funcionamiento el calentador. El conjunto de la manguera de reemplazo debe ser el especificado por el fabricante.
- Utilícelo únicamente en superficies niveladas y estables.
- NUNCA deje desatendido el calentador.
- Mantenga el calentador fuera del alcance de niños y animales.
- Nunca deje encendido el calentador mientras duerme o no le presta atención.
- Antes de conectar el calentador al cilindro de propano, compruebe que el calentador esté apagado (perilla del regulador en OFF).
- NUNCA manipule el calentador mientras está encendido o caliente; podría ocasionarle quemaduras graves. Si el calentador está encendido, todas sus superficies alcanzan una temperatura muy alta. Antes de manipularlo, deje enfriar por espacio mínimo de 15 minutos.
- Siempre desconecte y separe el calentador del cilindro después de usar.
- Ubique el cilindro LP al menos a 7 pies del calentador y no descargue el calentador hacia ningún cilindro de LP.

### SUMINISTRO DE PROPANO

Este cuadro indica la cantidad mínima de cilindros de 45 kg necesaria en lugares sometidos a temperaturas polares. El distribuidor de PL de su localidad le ayudará a seleccionar el sistema de suministro adecuado. La cantidad de gas de PL que utiliza este calentador varía, y está determinada por estos factores:

Temperatura media °C (°F)	MH-0080-CM11 Cilindro de 45 kg	MH-0200-CM11 Cilindro de 45 kg
32°	1	2
20°	1	2
10°	2	3
0°	2	3
-10°	2	3
-20°	2	3

La cantidad de gas contenido en el tanque.

La temperatura del cilindro y del área circundante.

**⚠ EXTREMADAMENTE CALIENTE CUANDO LA UNIDAD ESTÁ ENCENDIDA. NO TOQUE LOS ELEMENTOS METÁLICOS MIENTRAS ESTÉ ENCENDIDA LA UNIDAD. MANTENGA EL CALENTADOR LEJOS DE GASOLINA Y OTROS LÍQUIDOS INFLAMABLES.**

**⚠ ASEGÚRESE DE LEER Y COMPRENDER TODA LA INFORMACIÓN DE SEGURIDAD CONTENIDA EN ESTE MANUAL ANTES DE ENCENDER EL CALENTADOR.**

**⚠ EL CALENTADOR TIENE SUPERFICIES QUE ALCANZAN TEMPERATURAS MUY ALTAS. ASEGÚRESE DE MANTENER EL CALENTADOR FUERA DEL ALCANCE DE NIÑOS Y MASCOTAS. ASEGÚRESE DE MANTENER LOS QUEMADORES Y EL REGULADOR DEL CALENTADOR LIMPIOS Y SIN RESIDUOS. MANTÉNGASE A UNA DISTANCIA PRUDENCIAL DEL CALENTADOR COMO SE MUESTRA EN LA PÁGINA 4.**

**⚠ ADVERTENCIA: NUNCA DEJE DESATENDIDA LA CALENTADORA MIENTRAS ESTE ENCENDIDO O ESTE CONECTADA A UNA FUENTE ELÉCTRICO/ DE ALIMENTACIÓN, O CUANDO ESTE CONECTADA A UNA FUENTE DE COMBUSTIBLE.**

Usted debe suministrar el gas y los cilindros de propano. Utilice este calentador sólo con sistemas de suministro de propano con dispositivo de recuperación de vapores. Consulte el capítulo 5 de la norma para el almacenamiento y la manipulación de gas licuado de petróleo, ANSI/NFPA 58. La biblioteca o el cuerpo de bomberos de su localidad deben tener este folleto.

Características del PL. Inflamable, explosivo bajo presión, más pesado que el aire y se acumula en niveles bajos.

En su estado natural, el propano es inodoro pero, por seguridad, se le ha añadido un odorizante que huele a repollo podrido.

## INFORMACIÓN DE SEGURIDAD GENERAL

El contacto del gas de PL con la piel puede producirle quemaduras de congelación.

El calentador se ha fabricado para usarse sólo con gas de PL. NO trate de hacerle modificaciones que permitan usarlo con otro gas. Estas modificaciones son peligrosas y anulan la garantía.

Cuando no esté usando el calentador, debe cerrar el suministro de PL.

Asegúrese de situar el cilindro de propano sobre una superficie nivelada y estable.

No utilice este calentador en sótanos o espacios subterráneos. El propano es más pesado que el aire y siempre desciende al nivel más bajo. Si sospecha que hay fugas, cierre inmediatamente la válvula del cilindro de propano. ¡No utilice una llama para verificar la presencia de fugas! Utilice una solución de partes iguales de agua y jabón lavaplatos para verificar la presencia de fugas. Repare todas las fugas antes de volver a encender el calentador.

Antes de usar, verifique el estado de la junta tórica del conector de entrada de combustible del calentador. Reemplace si se ha dañado o desgastado.

### ESPACIOS MÍNIMOS DE LOS COMBUSTIBLES:

	MH-0080-CM11	MH-0200-CM11
Parte Superior	6 pies	8 pies
Lados	4 pies	4 pies



**ADVERTENCIA: NUNCA DEJE DESATENDIDA LA CALENTADORA MIENTRAS ESTE ENCENDIDO O ESTE CONECTADA A UNA FUENTE ELÉCTRICO/ DE ALIMENTACIÓN, O CUANDO ESTE CONECTADA A UNA FUENTE DE COMBUSTIBLE.**

## ASAMBLEA

### MONTAJE DEL CALENTADOR

1. Retire el calentador del embalaje. Protéjase sus manos poniéndose guantes antes de levantar la carcasa exterior. Nunca agarre metal descubierto sin guantes. (Ver Figura 1)
2. Levante la carcasa exterior hacia arriba. Se debe tener cuidado con las manos al levantar la carcasa. (Ver Figura 2)

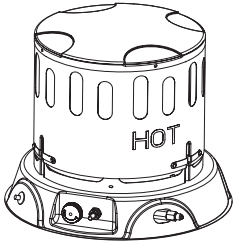


Figura 1

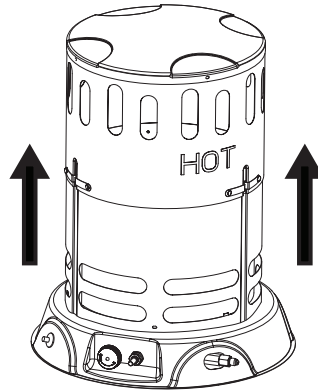
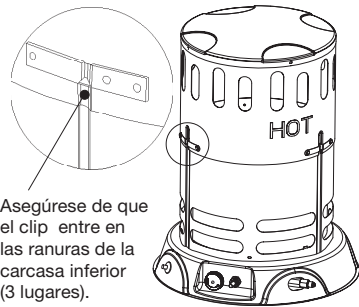


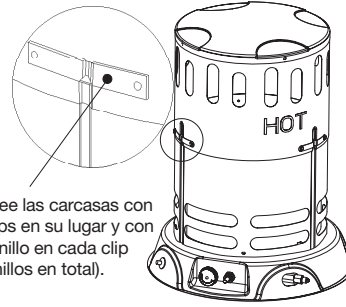
Figura 2

3. Levante la carcasa exterior hasta que los tres clips se acoplen a las ranuras ubicadas en la carcasa inferior. Cuando esto suceda, los orificios de los tornillos se alinearán. (Asegúrese de que el clip entre en las ranuras de la carcasa inferior (3 lugares)). (Ver Figura 3)
4. Bloquee el clip en su lugar con tres tornillos como se muestra. El calentador no debe funcionar a menos que la carcasa exterior esté correctamente extendida y completamente bloqueada en su lugar. (Bloquee los proyectiles junto con los clips en su lugar y con un tornillo en cada clip (3 tornillos en total)). (Ver Figura 4)



Asegúrese de que el clip entre en las ranuras de la carcasa inferior (3 lugares).

Figura 3



Bloquee las carcasas con los clips en su lugar y con un tornillo en cada clip (3 tornillos en total).

Figura 4

**¡NUNCA INTENTE ENCENDER UN CALENTADOR HASTA QUE ESTÉ MONTADO COMPLETAMENTE**  
**¡ADVERTENCIA: NUNCA INTENTE ENCENDER UN CALENTADOR HASTA QUE ESTÉ MONTADO CONEXIÓN DEL SUMINISTRO DE GAS**

¡IMPORTANTE! Siempre use cilindros de propano que tengan dispositivos de conexión compatibles con el conjunto de manguera y regulador que se proporciona.

1. Para conectar el conjunto de manguera y regulador, enrosque el conector del conjunto HACIA LA DERECHA en la válvula del tanque. (Figura 5 y 6) Asegúrese de apretar firmemente.

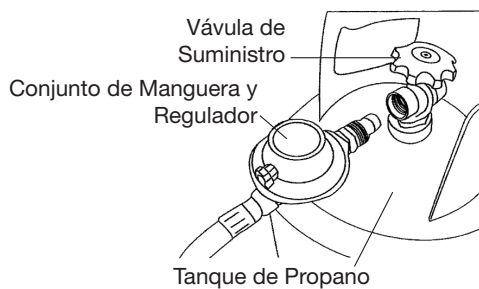


Figura 5

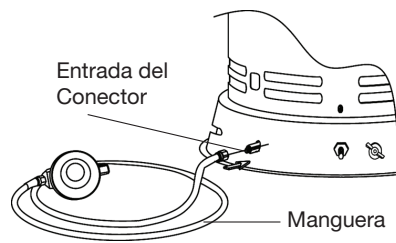


Figura 6

**¡ADVERTENCIA: NUNCA DEJE DESATENDIDA LA CALENTADORA MIENTRAS ESTE ENCENDIDO O ESTE CONECTADA A UNA FUENTE ELÉCTRICO/ DE ALIMENTACIÓN, O CUANDO ESTE CONECTADA A UNA FUENTE DE COMBUSTIBLE.**

## ASAMBLEA

*Importante: Asegúrese de colocar el regulador de manera que quede horizontal, como también se indica.*

2. Para conectar a la entrada del calentador, enrosque hacia la derecha firmemente con una llave.
3. Válgase de una solución de partes iguales de jabón lavaplatos y agua para verificar la presencia de fugas en todas las conexiones. Las burbujas indican que hay fuga de gas. Elimine todas las fugas antes de encender el calentador. NUNCA SE VALGA DE UNA LLAMA VIVA PARA COMPROBAR LA PRESENCIA DE FUGAS.



**ADVERTENCIA: NUNCA DEJE DESATENDIDA LA CALENTADORA MIENTRAS ESTE ENCENDIDO O ESTE CONECTADA A UNA FUENTE ELÉCTRICO/ DE ALIMENTACIÓN, O CUANDO ESTE CONECTADA A UNA FUENTE DE COMBUSTIBLE.**

# OPERACIÓN

## TEORÍA DE FUNCIONAMIENTO

**Sistema de suministro de combustible** A través del conjunto de manguera y regulador, se le suministra al calentador el combustible a presión del cilindro. El regulador mantiene constante el caudal de entrada de combustible del calentador.

**Sistema de encendido** Cuando el combustible se rocía en el interior de la cámara de combustión a través de una boquilla de suministro, el encendedor piezoeléctrico inflama la fina mezcla de combustible y aire.

**Sistema de control automático** Si se extingue la llama, la válvula de control automática apaga el calentador.

 **DEBE REVISAR Y COMPRENDER TODAS LAS ADVERTENCIAS CONTENIDAS EN LA SECCIÓN DE INFORMACIÓN DE SEGURIDAD EN LA PÁGINA 2 DE ESTE MANUAL.**

 **DEBIDO A LA ALTA TEMPERATURA DE LAS SUPERFICIES, DEBE MANTENER EL CALENTADOR LEJOS DE NIÑOS, MUEBLES Y PRENDAS DE VESTIR. CONSERVE LA ZONA DE LOS CONTROLES Y LOS QUEMADORES LIMPIA Y SIN RESIDUOS.**

 **EXTREMADAMENTE CALIENTE MIENTRAS ESTÁ ENCENDIDO. NO TOQUE EL CALENTADOR MIENTRAS ESTÉ ENCENDIDO. MANTENGA EL CALENTADOR LEJOS DE NIÑOS, PRENDAS DE VESTIR, GASOLINA Y, EN GENERAL, LÍQUIDOS Y GASES INFLAMABLES.**

*AVISO: Después de hecha la conexión del gas, el aire puede quedar atrapado en el conducto de gas. Antes de encender el calentador, es necesario vaciar todo el aire atrapado en el conducto. Una vez hecho, el calentador enciende y funciona normalmente. Es necesario purgar el conducto de gas cada vez que se reemplace el cilindro de gas.*

## PREPARACIÓN PARA USAR EL APARATO

1. Examine el calentador para comprobar que no haya sufrido daños durante el transporte. Si se encuentra algún daño, informe inmediatamente a la sucursal de su localidad.
2. Acate toda la información de seguridad de las páginas en este manual.

## INSTRUCCIONES PARA ENCENDER (MH-0080-CM11)

1. ¡Deténgase! Lea toda la información de seguridad que acompaña a este calentador.
2. Gire la válvula del cilindro de propano hacia la derecha hasta abrir completamente.
3. Presione la perilla de control y gire a la izquierda hasta la posición “LOW/IGN” (BAJO/ENCENDIDO).4. Si el quemador no se enciende, gire la perilla de control del calentador a la posición “OFF” (APAGADO) y repita el procedimiento de encendido.
5. Mantenga presionada la perilla de control unos 15 segundos antes de soltar.
6. If the flame goes out, wait 5 minutes, and repeat the ignition and lighting steps
7. After heater ignites, turn Control Knob to desired heat setting.

## INSTRUCCIONES PARA VOLVER A ENCENDER

1. Gire la válvula del cilindro hacia la derecha para cerrar y espere cinco (5) minutos.
2. Vuelva a encender siguiendo las INSTRUCCIONES

## INSTRUCCIONES PARA APAGAR

1. Cierre firmemente la válvula en el cilindro de propano.
2. Continúe operando el calentador hasta que se haya quemado todo el combustible de la manguera.
3. Gire la válvula del quemador principal a la posición lo/light.

## INSTRUCCIONES PARA ENCENDER (MH-0200-CM11)

### PREPARACIÓN PARA USAR EL APARATO

1. Examine el calentador para comprobar que no haya sufrido daños durante el transporte. Si se encuentra algún daño, informe inmediatamente a la sucursal de su localidad.

## OPERACIÓN

- Acate toda la información de seguridad de las páginas en este manual.



**ANTES DE ENCENDER EL CALENTADOR, GIRE LA VÁLVULA DEL QUEMADOR A LA POSICIÓN LIGHT (ENCENDER). LEA LA INFORMACIÓN DE SEGURIDAD ANTES DE ENCENDER EL CALENTADOR.**

- Abra completamente la válvula del tanque de propano, y espere 15 segundos antes de continuar al paso n.º 2.
- Pulse el botón rojo de la válvula de cierre de seguridad para abrir el paso del gas al quemador. Seguidamente, pulse y suelte el botón de encendido hasta que se encienda el quemador.
- Una vez encendido el quemador, siga pulsando el botón rojo 30 segundos más antes de soltar.
- Si se apaga el quemador, espere 5 minutos y repita el procedimiento de encendido.
- Cuando se encienda el quemador, gire la válvula del quemador a la posición ON (ABRIR) para que empiece a funcionar el calentador. Cierre parcialmente la válvula para regular la calefacción.

*Nota: El ajuste de la tarifa de quemadura demasiado baja puede causar el hollín. Mire para y evite una llama amarilla.*



**ADVERTENCIA: NUNCA DEJE DESATENDIDA LA CALENTADORA MIENTRAS ESTE ENCENDIDO O ESTE CONECTADA A UNA FUENTE ELÉCTRICO/ DE ALIMENTACIÓN, O CUANDO ESTE CONECTADA A UNA FUENTE DE COMBUSTIBLE.**

### INSTRUCCIONES PARA VOLVER A ENCENDER

- Gire la válvula del cilindro hacia la derecha para cerrar y espere cinco (5) minutos.
- Vuelva a encender siguiendo las INSTRUCCIONES PARA ENCENDER.

### INSTRUCCIONES PARA APAGAR

- Cierre firmemente la válvula en el cilindro de propano.
- Continúe operando el calentador hasta que se haya quemado todo el combustible de la manguera.
- Gire la válvula del quemador principal a la posición lo/light.



**NUNCA INTENTE DARLE MANTENIMIENTO A ESTE CALENTADOR MIENTRAS ESTÉ FUNCIONANDO, CALIENTE O CONECTADO AL SUMINISTRO DE GAS. PUEDE SUFRIR QUEMADURAS GRAVES.**

### VENTILACIÓN

Proporcione un espacio mínimo de 0.23 m<sup>2</sup>, con el calentador MH-0080-CM11, y de 0.55 m<sup>2</sup>, con el calentador MH-0200-CM11, abriendo la ventana o la puerta para dejar entrar aire fresco del exterior. La abertura debe tener al menos 0.28 m<sup>2</sup> por cada 50,000 Btu de capacidad máxima.



**ADVERTENCIA: NUNCA DEJE DESATENDIDA LA CALENTADORA MIENTRAS ESTE ENCENDIDO O ESTE CONECTADA A UNA FUENTE ELÉCTRICO/ DE ALIMENTACIÓN, O CUANDO ESTE CONECTADA A UNA FUENTE DE COMBUSTIBLE.**

## MANTENIMIENTO

### MANTENIMIENTO Y ALMACENAMIENTO

Examine el calentador antes de usar. Verifique la presencia de fugas en todas las conexiones siguiendo el procedimiento descrito. Compruebe que la manguera del regulador no esté agrietada, rota ni desgastada. Si está dañada, reemplace la manguera por el repuesto indicado por el fabricante.

Después de usar, desconecte siempre el calentador del cilindro y guarde el calentador aparte del tanque. Asegúrese de cerrar la válvula del tanque después de usar y antes de guardar.

Guarde siempre el cilindro de propano afuera, pero no en un recinto cerrado. Nunca guarde el cilindro cerca de fuentes térmicas o llamas vivas ni donde reciba directamente la luz del sol. Nunca guarde el cilindro dentro de la edificación. El cilindro debe guardarse afuera de acuerdo con el capítulo 5 de la norma para el almacenamiento y la manipulación de gas licuado de petróleo (ANSI/INFP 58).

Mantenga siempre limpio el calentador, por fuera y por dentro.

Haga examinar el calentador por un técnico calificado una vez al año.

Cuando vaya a guardar la unidad por el resto de la temporada, tape los conectores con las cubiertas de plástico que acompañaban al calentador.

Guarde siempre el calentador en un lugar limpio, seco y seguro.



**ADVERTENCIA: NUNCA DEJE DESATENDIDA LA CALENTADORA MIENTRAS ESTE ENCENDIDO O ESTE CONECTADA A UNA FUENTE ELÉCTRICO/ DE ALIMENTACIÓN, O CUANDO ESTE CONECTADA A UNA FUENTE DE COMBUSTIBLE.**

## SOLUCIÓN DE PROBLEMAS

### PROBLEMA

---

El quemador no enciende

### CAUSA POSIBLE

---

1. La válvula del cilindro de suministro está cerrada
2. La válvula de retención de exceso de caudal está cerrada
3. La boquilla del quemador está obstruida
4. El sistema de encendido piezoeléctrico no produce chispa

### SOLUCIÓN

---

1. Abra la válvula del cilindro
2. Cierre la válvula del cilindro, espere un minuto y vuelva a abrir lentamente
3. Reemplace la boquilla del quemador
4. Examine los conductores del encendedor para comprobar su estado; verifique que la separación de la bujía sea de 4.95 mm

---

El quemador se enciende, pero la llama se apaga cuando se gira la perilla de control a la posición que interesa

- 
1. Tiempo insuficiente para que se caliente la termocupla
  2. Muy poca presión de gas
  3. La termocupla está floja o debe reemplazarse
  4. Válvula de control dañada

- 
1. Mantenga pulsada la válvula de control al menos 45 segundos
  2. Compruebe que los cilindros tengan suficiente gas
  3. Reemplace o apriete el conector de la termocupla
  4. Reemplace la válvula de control

---

La llama del quemador es demasiado débil

- 
1. La válvula del cilindro no está totalmente abierta
  2. El agujero del quemador está obstruido
  3. Muy poca presión de gas
  4. El suministro de combustible es insuficiente

- 
1. Cerciórese de que esté completamente abierta la válvula del cilindro
  2. Reemplace el quemador
  3. Cerciórese de que esté funcionando correctamente el regulador
  4. Reemplace el suministro de combustible insuficiente por un cilindro nuevo





## GARANTÍA LIMITADA

Mi-T-M, . Le garantiza exclusivamente al comprador minorista original de este calentador que no tendrá defectos de material ni mano de obra por un período de un (1) año a partir de la fecha de compra original.

Este producto debe instalarse, mantenerse y operarse correctamente de acuerdo con las instrucciones suministradas.

Mi-T-M exige un comprobante admisible de su fecha de compra emitido por un minorista o distribuidor autorizado. Por lo tanto, usted debe guardar su recibo de compra, factura o el cheque canjeado de la compra original. Esta garantía limitada se limita a la reparación o reemplazo de piezas que se comprueben defectuosas en condiciones normales de uso y mantenimiento dentro del periodo de garantía, y que Mi-T-M, . así determine a su discreción razonable. No incluye artículos de uso: filtros, las veletas, las boquillas y los rotores.

Esta Garantía limitada no cubre ningún fallo ni dificultad de funcionamiento debido a un desgaste normal, accidente, abuso, mal uso, alteración, aplicación incorrecta, instalación incorrecta o un mantenimiento y servicio inadecuados realizados por usted o cualesquiera terceros. Asimismo, la garantía no cubre el incumplimiento de las revisiones de mantenimiento normales y regulares del calentador, los daños sufridos durante el transporte, los daños relacionados con insectos, aves o animales de cualquier tipo, y los daños consecuencia de las condiciones atmosféricas. Adicionalmente, la Garantía limitada no cubre daños del acabado, como ralladuras, abolladuras, cambios de color, oxidación u otros daños ocasionados por las condiciones atmosféricas después de la compra.

El comprador será responsable de todos los gastos de transportación para la devolución del producto dañado o piezas dañadas. Al recibir el artículo dañado, Mi-T-M, . lo examinará y determinará si está defectuoso. Mi-T-M, . reparará o reemplazará y devolverá el artículo con porte pagado. Si Mi-T-M, . determina que el artículo está en condiciones normales de funcionamiento o sin defectos, el artículo será devuelto con flete por pagar. Mi-T-M, . desconoce toda garantía de productos comprados a vendedores que no sean minoristas o distribuidores autorizados.

DESPUÉS DEL VENCIMIENTO DEL PERÍODO DE UN (1) AÑO DE LA GARANTÍA LIMITADA, Mi-T-M, . DESCONOCERÁ CUALESQUIERA Y TODAS LAS GARANTÍAS IMPLÍCITAS, INCLUIDAS SIN LIMITACIONES LAS GARANTÍAS IMPLÍCITAS DE COMERCIABILIDAD Y ADECUACIÓN PARA UNA APLICACIÓN EN PARTICULAR. ADEMÁS, Mi-T-M, . NO ASUME NINGUNA RESPONSABILIDAD ANTE EL COMPRADOR NI NINGÚN OTRO TERCERO POR CUALESQUIERA DAÑOS ESPECIALES, PUNITORIOS, MENORES O INDIRECTOS. Mi-T-M, . no asume ninguna responsabilidad por defectos causados por terceros. Esta Garantía limitada le otorga derechos legales específicos al comprador, y es posible que el comprador tenga otros derechos, dependiendo del lugar donde viva. Algunos Estados no permiten la exclusión ni limitación de daños especiales, menores o indirectos, ni limitaciones de la duración de la garantía; por lo que es posible que la exclusión y las limitaciones anteriores no le conciernan a usted.

Mi-T-M, . no autoriza a persona o compañía alguna a asumir en su nombre ninguna otra obligación o responsabilidad relacionada con la venta, instalación, uso, desmontaje, devolución o reemplazo de su equipo, y ninguna de tales declaraciones tendrá carácter vinculante para Mi-T-M, .

Asegúrese siempre de especificar el número de modelo y el número de serie cuando presente reclamos a Mi-T-M

PARA SERVICIO O CONSIDERACION DE LA GARANTIA CONSULTE CON:  
Mi-T-M® Corporation/50 Mi-T-M Drive, Box 50/Peosta, IA 52068-0050  
Telefono: 563-556-7484/Telefone gratis en los  
EE. UU.: 800-553-9053/Fax 563-556-1235  
Lunes - Viernes 8:00 a.m. - 5:00 p.m. CST

Manufactured by Mi-T-M  
50 Mi-T-M Drive, Peosta IA 52068  
563-556-7484/ Fax 563-556-1235