

PILOT VALVE REPLACEMENT

ABS/AM2-30 and 80 Gallon (854-0121)

1. Removing old pilot valve (see figure 1 old configuration).

- Remove 1/4" black air hose (F) from compression elbow (G) from side port of existing pilot valve (H). (Be careful not to lose tube insert from end of black hose.)
2. Remove stainless steel braided hose (C) from pump outlet and from pilot valve elbow (D).
 3. Remove elbow (B) and nipple (A) from pump outlet.

Note: take note on how pilot valve (H) and elbow (D) is orientated, for the new pilot valve and elbow will be orientated in the same direction.

4. Remove pilot valve (H) from tank:

- For 30 gal units: do not remove tank elbow fitting (B) installed to nipple (J) in tank (K).
 - For 80 gal units: do not remove reducer fitting (I) in tank (K).
5. Remove compression elbow (G) from side of pilot valve (H) and install into side port of new pilot valve (5). Assemble so elbow is facing the same direction as original, use blue locitie.

(continued on next page)

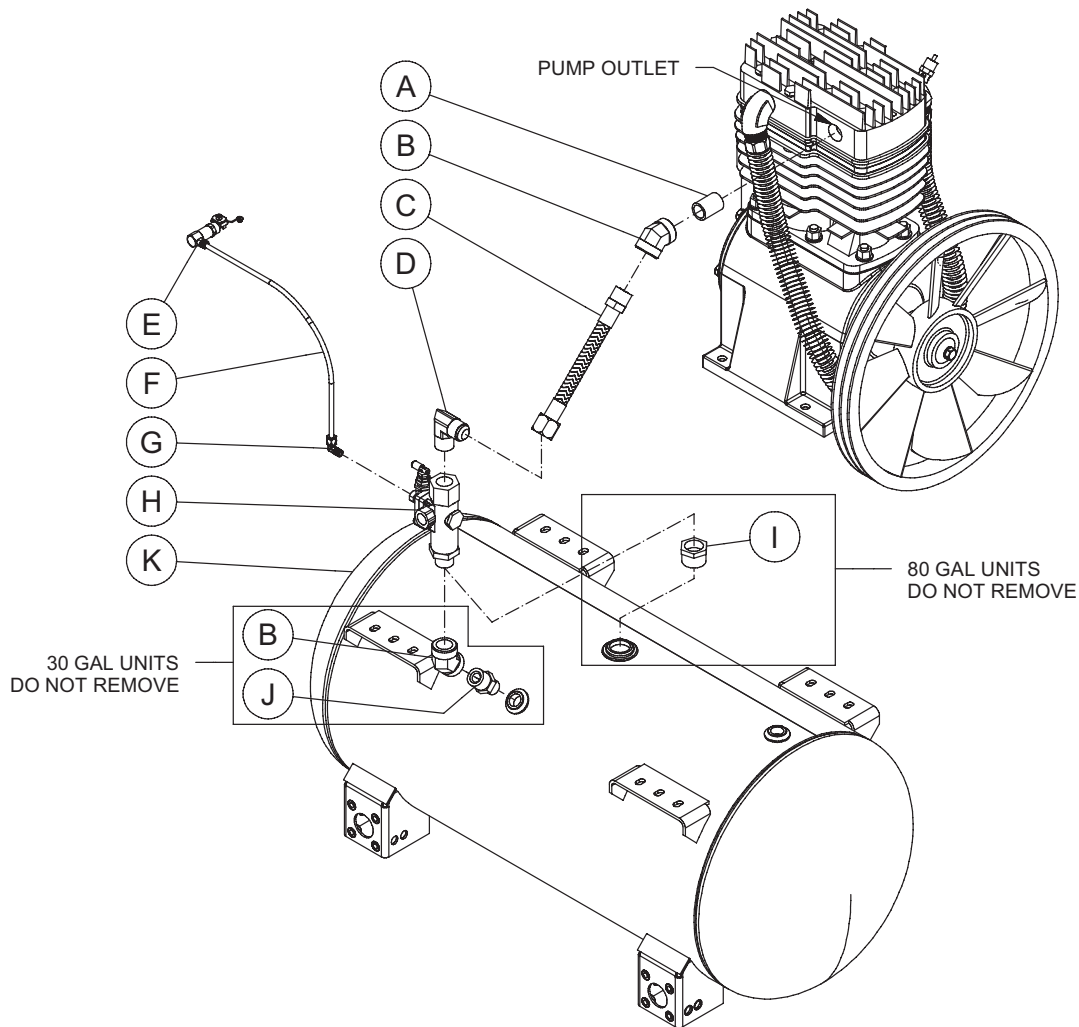


FIGURE 1 (OLD CONFIGURATION)

PILOT VALVE REPLACEMENT ABS/AM2-30 and 80 Gallon (854-0121)

(continued)

6. Installing new pilot valve (see figure 2 new configuration).

FOR 30 GAL UNITS

Note: on 30 gal units you will not use connector (6) or install the new pilot valve (5) to reducer fitting (I).

- Assemble reducer fitting (7) onto pilot valve (5). Use blue locktite.
- Install reducer and pilot assembly to existing 45° elbow fitting (B) remaining in tank. Use blue locktite. Must face the same direction as original.

FOR 80 GAL UNITS

- Assemble reducer fitting (7) and connector (6) onto pilot valve (5). Install into existing reducer fitting (I) in tank. Use blue locktite. Must face the same direction as original.
7. Assemble 90° elbow fitting (4) onto top of pilot valve (5). Use blue locktite. Elbow must face the correct direction.
 8. Assemble bushing (1) and 90° elbow fitting (2). Use blue locktite.
 9. Install assembled bushing and elbow to air compressor pump outlet. Use blue locktite, elbow must face down.
 10. Connect new stainless steel braided hose (3) to 90° elbow fitting (2) on the pump and elbow fitting (4) on the pilot valve.
 11. Connect 1/4" black air hose (f) from air throttle control valve (E) to compression elbow (G) on side of new pilot valve.

Item	Description	Part #	Qty
1	Bushing	23-0023	1
2	90° Elbow fitting	24-0074	1
3	Hose	15-0243	1
4	90° Elbow fitting	24-0272	1
5	Pilot valve	22-0270	1
6	Connector (for 80 gal units only)	23-0072	1
7	Reducer fitting	24-0308	1

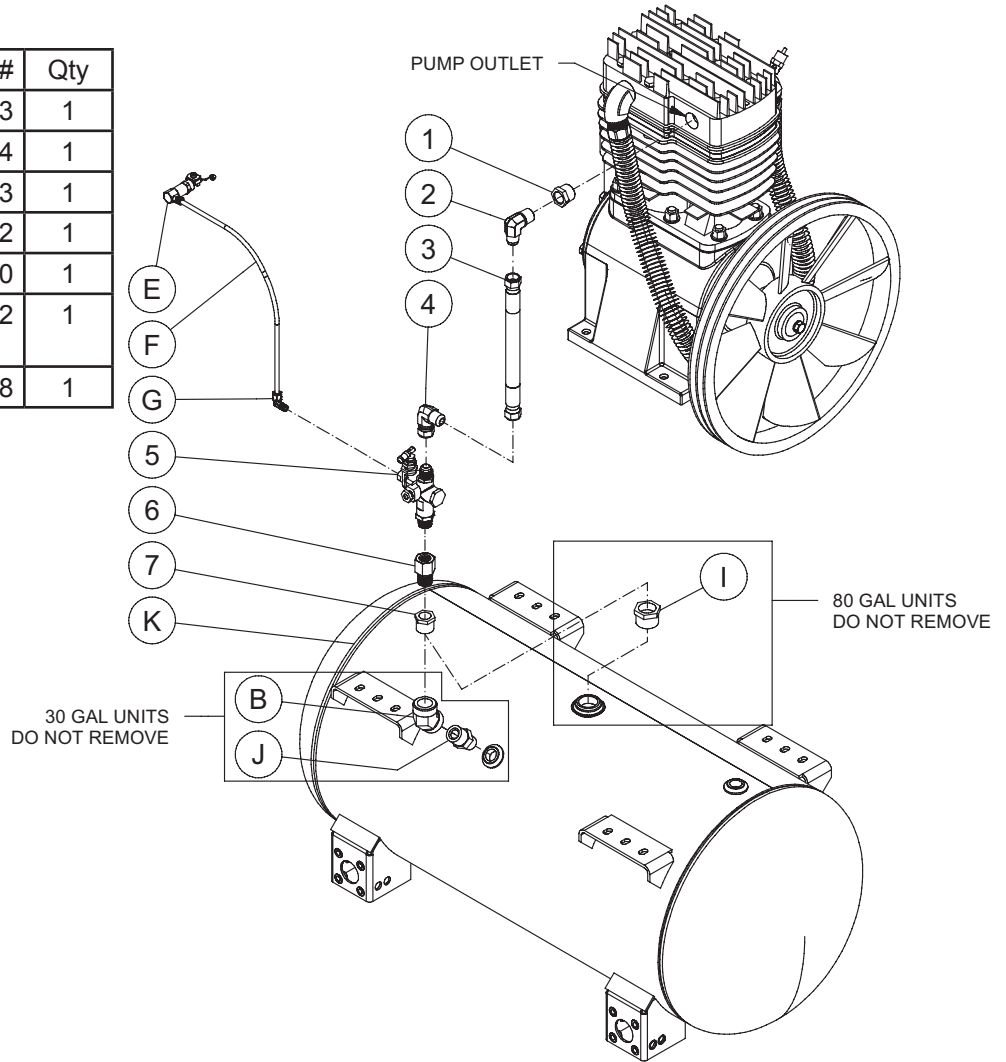


FIGURE 2 (NEW CONFIGURATION)

⚠ WARNING

⚠ **WARNING:** This product can expose you to chemicals including Lead, which is known to the State of California to cause cancer and birth defects or other reproductive harm. For more information go to www.P65Warnings.ca.gov

Mi-T-M Corporation
50 Mi-T-M Drive Peosta, IA 52068
Ph: 800-553-9053 - Fax: 563-556-1235