



OPERATORS MANUAL FOR Mi-T-M®  
***GRASS CART***  
***RC-0004-0001***



CAUTION  
RISK OF INJURY!

READ MANUAL BEFORE OPERATING!

This manual is an important part of the Grass Cart and must remain with the unit when you sell it!

# Table of Contents

INTRODUCTION .....	3
PURPOSE .....	3
SPECIFICATIONS.....	3
IMPORTANT SAFETY WARNINGS .....	4
GRASS CART FLOW CHART.....	5
OPERATING INSTRUCTIONS .....	5
TROUBLESHOOTING .....	6
GRASS CART ASSEMBLY .....	7
STATEMENT OF WARRANTY .....	8

## **WARNING**

This product contains one or more chemicals known to the State of California to cause cancer and birth defects or other reproductive harm.

## INTRODUCTION

Congratulations on the purchase of your new Mi-T-M Grass Cart! You can be assured your Mi-T-M Grass Cart was constructed and designed with quality and performance in mind. Each component has been rigorously tested to ensure the highest level of acceptance.

This operator's manual was compiled for your benefit. By reading and following the simple safety, installation, operation, maintenance and troubleshooting steps described in this manual, you will receive years of trouble free operation from your new Mi-T-M Grass Cart. The contents of this manual are based on the latest product information available at the time of publication. Mi-T-M reserves the right to make changes in price, color, materials, equipment, specifications or models at any time without notice.

### **! IMPORTANT !**

**ALWAYS PROVIDE A COPY OF THIS MANUAL TO ANYONE USING THIS EQUIPMENT. READ ALL INSTRUCTIONS BEFORE USING THIS GRASS CART AND ESPECIALLY POINT OUT THE "SAFETY WARNINGS" TO PREVENT THE POSSIBILITY OF PERSONAL INJURY TO THE OPERATOR.**

Once the unit has been uncrated, inspect for signs of obvious or concealed freight damage. If damage does exist, file a claim with the transportation company immediately. Be sure that all damaged parts are replaced and that the mechanical and electrical problems are corrected prior to operation of the unit. If you require service, contact Mi-T-M Customer Service.

#### CUSTOMER SERVICE

CALL OUR TOLL-FREE NUMBER

for the Sales or Service Center nearest you!

800-553-9053

Please have the following information available for all service calls:

1. Model Number
2. Date and Place of Purchase

## PURPOSE

The Mi-T-M Grass Cart is used to remove grass clippings from the wash water pits. The grass clippings and water are pumped from the wash catch pits to the Grass Cart. The Grass Cart has a Separator Screen which holds the grass clippings in the cart while allowing the water to pass through and out the drain holes located at the bottom of the cart. The water from the Grass Cart is directed to a second catch pit where it will be pumped to a Biological Wastewater system for further processing.

## SPECIFICATIONS


MAXIMUM FLOW (GPM)	80
CAPACITY (lbs.)	750
SIZE (Cubic Yards)	1/2
DIMENSIONS L x W x H (Inches)	60 1/2 x 28 x 38 5/8
NET WEIGHT (lbs.)	82



# IMPORTANT SAFETY WARNINGS

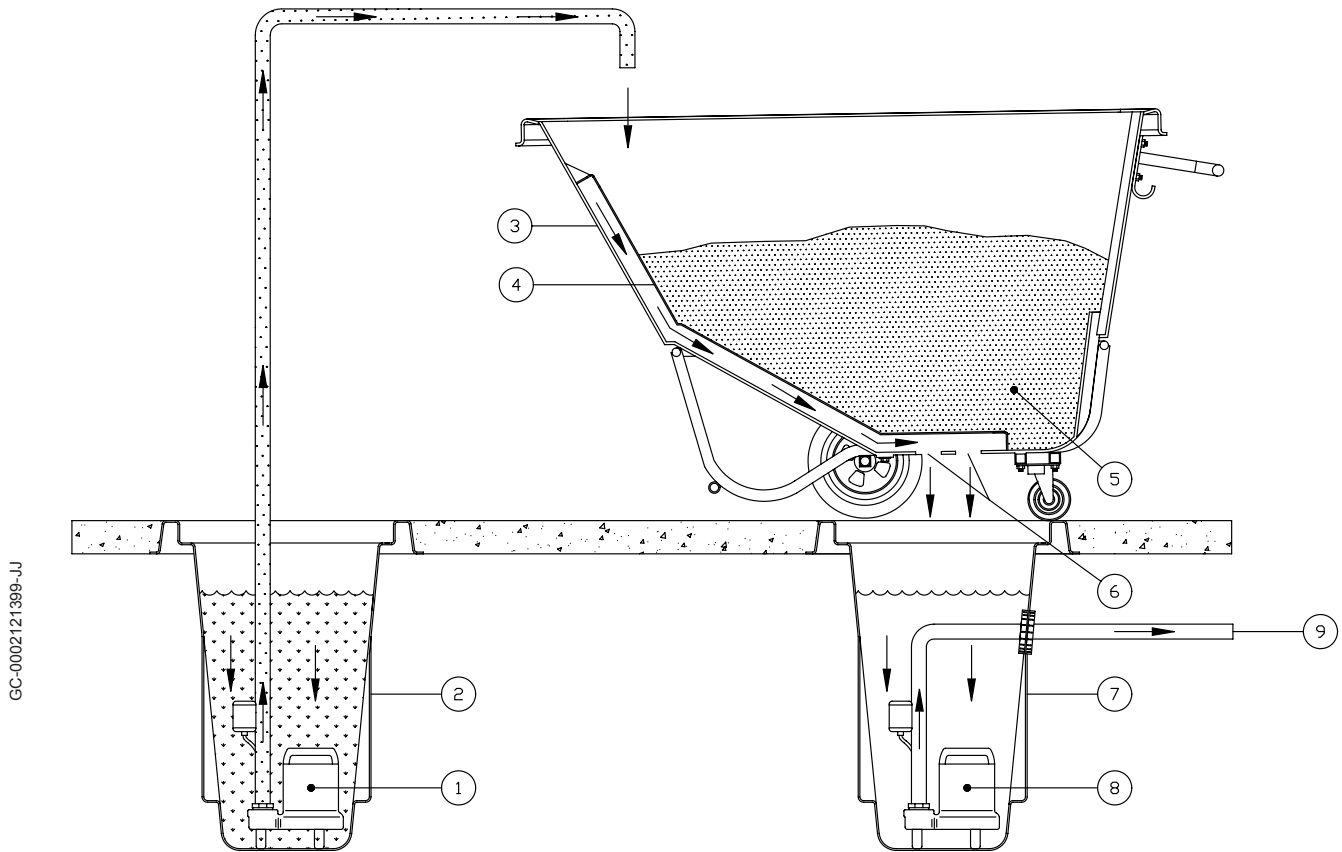
READ ALL SAFETY WARNINGS BEFORE USING GRASS CART



HAZARD	POTENTIAL CONSEQUENCE	PREVENTION
<p><b>RISK OF BODILY INJURY</b></p> 	<p>Injury may occur from the unit.</p>	<p><b>DO NOT DRINK THE WATER IN THE UNIT!!</b> This is non-potable water and is not suitable for consumption.</p> <p><b>DO NOT</b> allow children to operate this unit.</p> <p><b>DO NOT</b> overreach or stand on unstable support.</p> <p>Wet surfaces can be slippery, wear protective foot gear and keep good footing and balance at all times.</p> <p>Never use any solvents or acid type cleaners with this unit.</p> <p>Protective equipment such as gloves and rubber boots are advisable, especially when using cleaning detergents.</p> <p><b>ALWAYS</b> wear protective goggles when operating the unit to shield the eyes from flying debris.</p> <p><b>DO NOT</b> direct spray toward fragile materials such as glass for shattering could occur.</p> <p>Stay alert-watch what you are doing. Do not operate the unit when fatigued or under the influence of alcohol or drugs.</p> <p>Do not load Grass Cart beyond rated capacity.</p>

**!SAVE THESE INSTRUCTIONS!**

## GRASS CART FLOW CHART



A mixture of water and **Grass Clippings (5)** are collected in the **Wash Catch Pit (2)**. The **Sump Pump (1)** pumps the water and **Grass Clippings (5)** to the **Grass Cart (3)**. As the mixture makes contact with the **Separator Screen (4)**, the **Grass Clippings (5)** ride along the top of the **Separator Screen (4)** and into the bottom of the **Grass Cart (3)** where it accumulates. The water passes through the **Separator Screen (4)** and flows down to the bottom of the **Grass Cart (3)**. The water then exits the **Grass Cart (3)** through the four **Drain Holes (6)** and is then collected in the **Catch Pit (7)**. From there, the **Sump Pump (8)** pumps the water to a **Biological Waste Water System (9)** where it is further treated.

## OPERATING INSTRUCTIONS

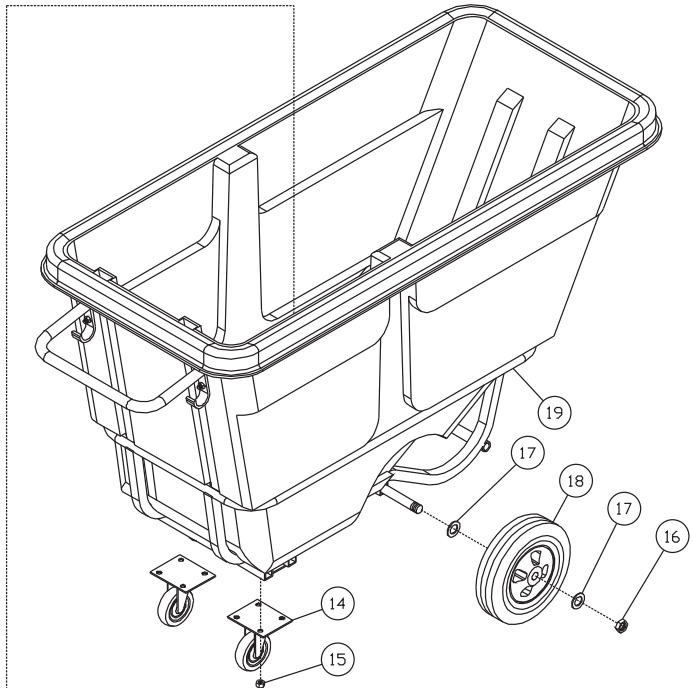
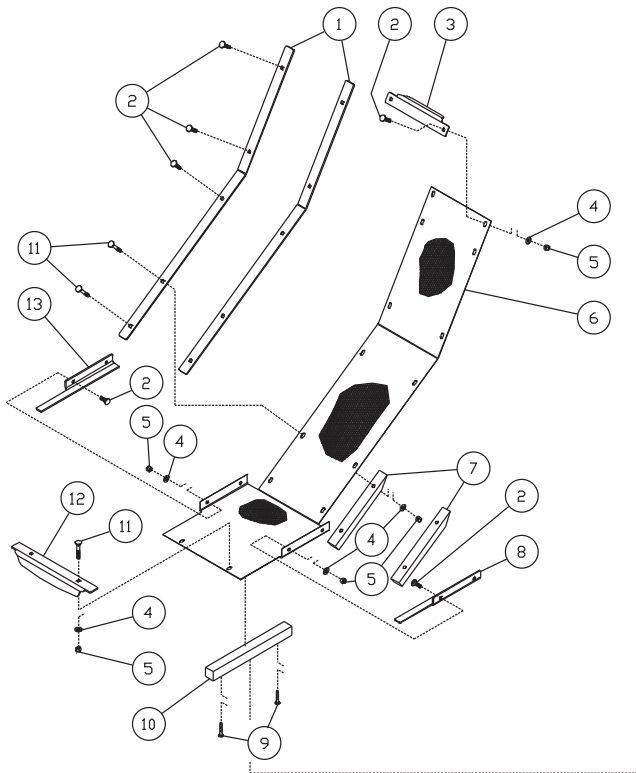
1. Place the Grass Cart level on the wash pad so that water will drain to catch pit.
2. Make sure the plumbing from the sump pump is directed to the middle, toward the top of the Separator Screen in the Grass Cart.
3. Check the Grass Cart periodically for emptying.

**! CAUTION: RISK OF BODILY INJURY! GRASS CART MAY WEIGH UP TO 400 POUNDS. USE CAUTION WHEN HANDLING CART!**

## TROUBLESHOOTING

SYMPTOM	PROBABLE CAUSE	REMEDY
Grass Cart retains water.	Check Separator Screen for obstructions or damage.	Remove any obstructions from screen or replace. Empty Grass Cart. Inspect Separator Screen.
	Inspect drain holes for blockage.	Remove obstructions.
Grass clippings exiting Grass Cart through Drain Holes.	Check Separator Screen for holes or tears.	Replace Separator Screen.
	Check Grass Cart for damage.	Replace Grass Cart.
	Check fasteners on Separator Screen for tightness.	Tighten fasteners.
Grass Cart hard to push.	Inspect wheels and castors. (Should turn freely.)	Replace.

# GRASS CART ASSEMBLY



RC-0004-0001-120699-JJ

GRASS CART ASSEMBLY			
REF. #	DESCRIPTION	PART#	QTY.
1	Strap	21-0132	2
2	Bolt	31-5027	12
3	Top Brace	21-0133	1
4	Washer	28-0121	18
5	Locknut	30-5155	18
6	Screen	21-0137	1
7	Block	35-0054	2
8	Right Brace- Bottom	21-0136	1
9	Screw	27-5029	2
10	Block- Bottom Spacer	35-0055	1
11	Bolt	31-5028	6
12	Brace- Bottom	21-0134	1
13	Left Brace- Bottom	21-0135	1
14	Swivel Caster (See 70-0304)	N/A Sep.	2
15	Locknut (See 70-0304)	N/A Sep.	8
16	Jamnut (See 70-0305)	N/A Sep.	1
17	Shim (See 70-0305)	N/A Sep.	4
18	Tire (See 70-0305)	N/A Sep.	1
19	Cart w/ Drain Holes	N/A	1
	Swivel Casters w/Fasteners Kit (Inc. 1 each 14, 4 each 15)	70-0304	
	Wheel w/Fasteners Kit (Inc. 1 each 16 & 18, 2 each 7)	70-0305	

RC-0004-0001-120699-JJ



## STATEMENT OF WARRANTY

Mi-T-M warrants all parts (except those referred to below) of your new Grass Cart to be free from defects in materials and workmanship for One (1) Year from the date of original purchase.

Defective parts not subject to normal wear and tear will be repaired or replaced at Mi-T-M's option during the warranty period which upon examination is disclosed to have been defective in material or workmanship. In any event, reimbursement is limited to the purchase price paid.

### EXCLUSIONS

1. This warranty does not cover parts damaged due to:
  - normal wear, misapplication, modifications/alterations, abuse, -operation at other than recommended speeds, pressures or temperature,
  - the use of caustic liquids,
  - chloride corrosion or chemical deterioration,
  - fluctuations in electrical or water supply,
  - operating unit in an abrasive, corrosive or freezing environment.
2. This warranty does not cover parts damaged by failure to follow recommended installation, operating and maintenance procedures.
3. This warranty does not cover the cost of:
  - normal maintenance or adjustments,
  - labor charges,
  - transportation charges to Service Center,
  - freight damage.
4. The use of other than genuine Mi-T-M parts will void warranty. Parts returned, prepaid to Mi-T-M's factory or to an Authorized Service Center will be inspected and replaced free of charge if found to be defective and subject to warranty. There are no warranties which extend beyond the description of the face hereof. Under no circumstances shall Mi-T-M bear any responsibility for loss of use of the unit, loss of time or rental, inconvenience, commercial loss or consequential damages.

For Service or Warranty consideration, contact  
Mi-T-M Corporation, 8650 Enterprise Drive, Peosta, IA 52068-0050  
319-556-7484 / 800-553-9053 / Fax 319-556-1235  
Monday-Friday 7:30 AM - 5:00 PM CST